

Conveyor Components



June 2011



EMERSON
Industrial Automation

EMERSON. CONSIDER IT SOLVED.™



Via Guareschi, 2



EMERSON™
Industrial Automation



Via San Giuseppe, 54

Quality and Service

**Your expectation,
our standard.**

Customers expect the best from System-Plast; we are committed to delivering nothing less. In every phase of our operation, from engineering, to production, to sales and assistance, System-Plast is committed to complying with the stringent standards of ISO 9001.



When you are looking for a quality conveyor component, look at System Plast.

We put our Leadership on the line for you.

Our complete range of products combines stainless steel, carbon steel, aluminium and engineered plastics to achieve reliability, superior performance and a compact design.

As one of the world's leading suppliers of conveyor components, System Plast has a tradition of innovation that dates back to 1985 when we entered into this field.

System Plast Components have become the standard of design and performance to a wide range of industries, including conveyor manufacturing, material handling, power transmission, packaging and many more. In addition to manufacturing excellence, System Plast has earned a reputation for outstanding customer service, offering a full range of design, custom fabrication and support services.

We hope you will now take a moment to look through this comprehensive catalogue.

Then, when you are ready to discuss your needs with the nearest System Plast representative, please consult the back cover of this catalog for further details about our sales network.

We are able and eager to assist you setting up a smooth running line.

The components you want, when and how you want them.

System Plast is ready and able to satisfy your needs with quick answers and delivery of standard or custom made products. Our customers around the world know that the shortest distance between a problem and its solution is to call us: innovations, research, engineering and production are always under a strict control to improve our service and products.

Call our engineering experts.



To order the products you have selected, or to get expert advice in choosing the right ones for your application, call System Plast's Application Engineering Department at (035) 83.51.301. We'll be happy to provide the information and advice you need. And we'll work to ensure prompt processing and delivery of your order.

System Plast offers a complete line of products to answer all your production needs.

CONVEYOR COMPONENTS

- Drive sprockets, idler wheels, corner discs.
- Chain return components.
- Lateral guides and guide rail clamps.
- Adjustable heads and knobs.
- Side mounting and support heads.
- Threaded tube ends.
- Thermoplastic chains.
- Straight and corner tracks.
- Cross clamps.
- Guide rail brackets and drip tray supports.
- Hinges and handles.
- Support bases and levelling elements.

BEARING SUPPORTS

- Flanged bearing support.
- Pillow block support.
- Take-up support.
- Cartridge/take-up support.
- Support for shafts from $\varnothing 12$ to $\varnothing 40$ mm.
- Flanged bearing support in stainless steel.
- Compact pillow block support.
- Cartridge support.
- Support with high corrosion resistance.
- Nolu-Clean antimicrobial material available.

LEVELING PADS

- Thermoplastic, steel and stainless steel supporting feet.
- Fixed feet.
- Threaded tube ends.
- Articulated feet with or without mounting holes.
- Vibration absorbing feet.
- Support bases

STRUCTURAL COMPONENTS

- Connecting joints.
- Panel clamps.
- Fixing block.
- Spring loaded latch.
- Tube ends and closing caps.
- Mounting profiles.
- Profile for plain tubes.
- Magnetic lock.
- Hinges and handles.

CONVEYOR CHAINS

- Straight running chains.
- Sideflexing chains magnetic system.
- Sideflexing chains with rubber pads.
- Sideflexing chains.
- Straight running chains with rubber pads.
- Straight and corner tracks.

MODULAR BELTS

- Flat top belts
- Belts with low noise accumulation rollers
- Grip top belts
- Flush grid belts
- Sideflexing flat top chainbelt for magnetic system
- Sideflexing flush grid chainbelt for magnetic system





Conveyor Line
All that is necessary
where quality is concerned.

Conveyor Line

Conveyor Line is the name given to the widest product line bearing the System Plast name and it includes an infinite number of components for the setting up of automated goods handling systems. The almost limitless choice and innovative solutions offered make it possible to arrange systems suitable for the most diverse production requirements. The material used can withstand particularly difficult working conditions, and the structural simplicity of each component facilitates the procedures of sanification of an entire plant. Drive sprockets, return parts, guides, clamps and all kinds of brackets, all produced according to the strict System Plast quality standard that has for years guaranteed optimum results.

Our range

- Drive sprockets, idler wheels, corner discs.
- Chain return components.
- Lateral guides and guide rail clamps.
- Adjustable heads and knobs.
- Side mounting brackets and support heads.
- Threaded tube ends.
- Thermoplastic chains.
- Straight and corner tracks.
- Cross clamps.
- Guide rail brackets and drip tray supports.
- Hinges and handles.
- Support bases and leveling elements.

CONTENTS OF CONVEYOR LINE CATALOGUE

Conveyor components



CHAIN GUIDE WEAR STRIP

[7 - 38](#)



CHAIN RETURN COMPONENTS

[39 - 74](#)



SIDE GUIDES

[75 - 104](#)



BENDING MACHINES

[105 - 109](#)



CLAMPS FOR SIDE GUIDES - ADJUSTING RODS

[110 - 142](#)



ROLLER SIDE GUIDES

[143 - 182](#)



SIDE GUIDE BRACKETS

[183 - 242](#)



DRIP TRAY SUPPORTS

[243 - 244](#)



CONNECTING CLAMPS

[245 - 257](#)



PHOTOCELL ACCESSORIES

[258 - 274](#)



HINGES - HANDLES

[275 - 280](#)

Conveyor components



SYSTEM FRAME ACCESSORIES

[281 - 287](#)



KNOBS

[288 - 296](#)



MODULAR TRANSFER ROLLER PLATES

[297 - 306](#)



CABLE CARRIER CHAIN

[307 - 308](#)



SUPPORT HEADS

[309 - 314](#)



CONNECTING JOINTS

[315 - 318](#)



TUBE ENDS

[319 - 322](#)



SUPPORT BASES

[323 - 326](#)



CHEMICAL RESISTANCE

[328 - 329](#)

Technical informations



**INTERNATIONAL SYSTEM (SI)
CONVERSION FACTORS**

[330](#)



APPLICATION TEMPERATURES

[330](#)

Index

NUMERICAL INDEX

[331 - 352](#)

KEY TO SYMBOLS OF CONVEYOR LINE CATALOGUE

SIZES



SIZE HEX HEAD BOLT

.....



THREAD SIZE

.....



TAPPED THREAD SIZE

.....



LENGTH

.....



HEIGHT

.....



DIAMETER

.....



LOAD

.....



PACKAGING QUANTITY

.....



LENGTH OF COIL

.....

FEATURES



MATERIAL

.....



COLOUR

.....



HEAVY DUTY

.....



SAVES TIME AND MONEY

.....



FOR USE IN HIGH TEMPERATURE

.....



ANTISTATIC

.....



NO TOOLS REQUIRED

.....



Longer nut design allows clamp to be opened while assembly stays intact! Assembly to the rail is much quicker.

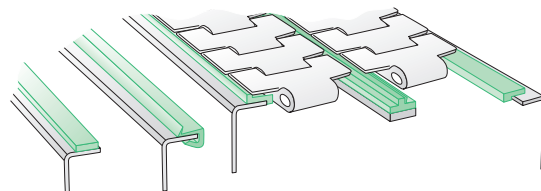
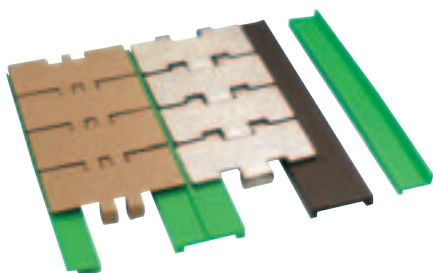
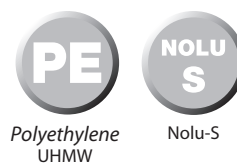
.....



Chain guide wear strip

POLYETHYLENE WEAR STRIP

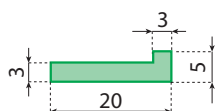
 Preferred type, readily available (codes marked in red)



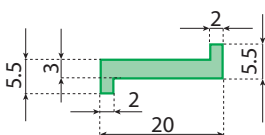
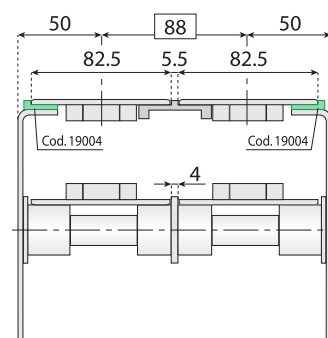
WEAR STRIP





Material:

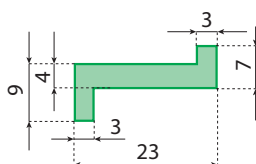
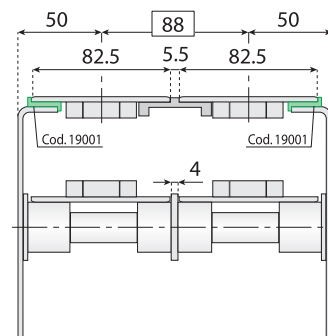
Extruded ultra high molecular weight polyethylene.
 Max. continuous service temperature in air 90° C.
 Water absorption coefficient = 0.







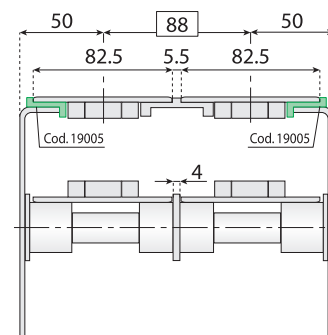
Code				Material	
19004N	-	60 m	60 m	PE	Black
19004V	-	60 m	60 m	PE	Green



Code				Material	
19001N	-	60 m	60 m	PE	Black
19001V	-	60 m	60 m	PE	Green
19001NS	-	60 m	60 m	Nolu-S	Grey

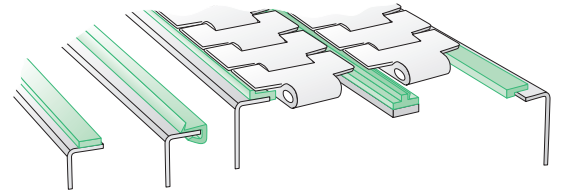
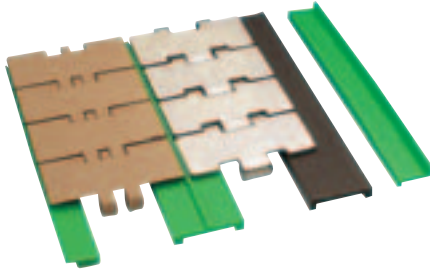
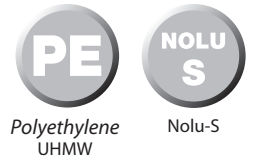


Code				Material	
19005N	-	60 m	60 m	PE	Black
19005V	-	60 m	60 m	PE	Green
19005NS	-	60 m	60 m	Nolu-S	Grey



POLYETHYLENE WEAR STRIP

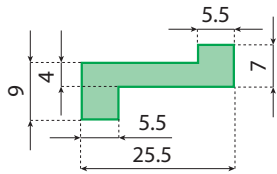
 Preferred type, readily available (codes marked in red)



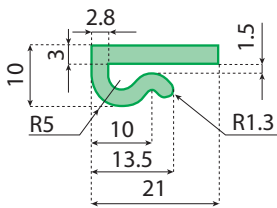
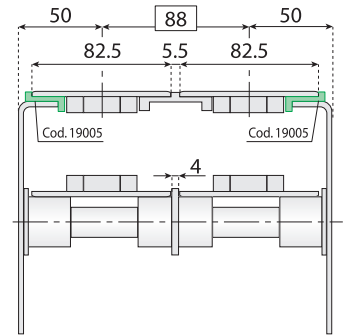
WEAR STRIP





Material:

Extruded ultra high molecular weight polyethylene.
Max. continuous service temperature in air 90° C.
Water absorption coefficient = 0.

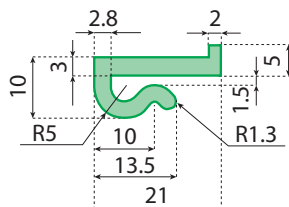
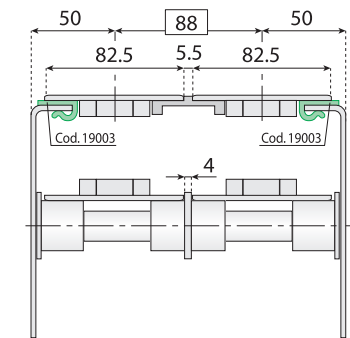




Code				Material	
19005N-SP	-	60 m	60 m	PE	Black
19005V-SP	-	60 m	60 m	PE	Green



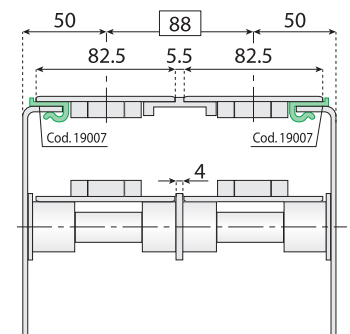
Code				Material	
19003N	-	60 m	60 m	PE	Black
19003V	-	60 m	60 m	PE	Green
19003NS	-	60 m	60 m	Nolu-S	Grey

Notes: applicable from 2.5 to 4 mm thick sheet metal.



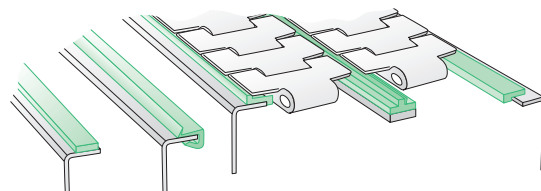
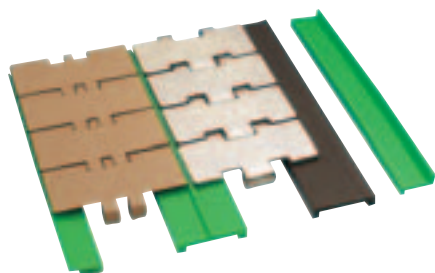
Code				Material	
19007N	-	60 m	60 m	PE	Black
19007V	-	60 m	60 m	PE	Green
19007NS	-	60 m	60 m	Nolu-S	Grey

Notes: applicable from 2.5 to 4 mm thick sheet metal.



POLYETHYLENE WEAR STRIP

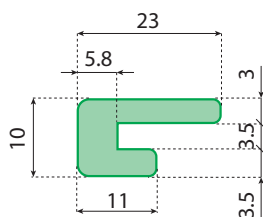
 Preferred type, readily available (codes marked in red)



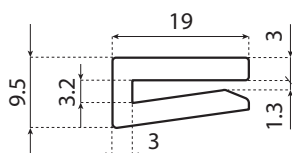
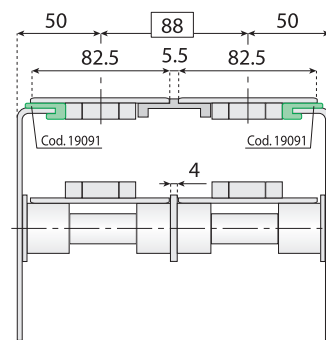
WEAR STRIP


Material:

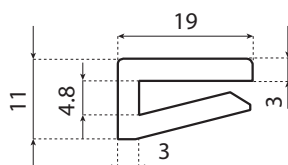
Extruded ultra high molecular weight polyethylene.
Max. continuous service temperature in air 90° C.
Water absorption coefficient = 0.



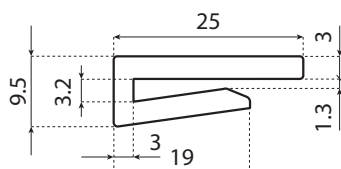
Code				Material	
19091N	6 m	-	60 m	PE	Black Green
19091V					



Code	Ref.				Material	
19S00058-3M	VG-P18CC-3M	3 m	-	30 m		
19S00058-6M	VG-P18CC-6M	6 m	-	60 m	PE	White
19S00058-30M	VG-P18CC-30M	-	30 m	30 m		



Code	Ref.				Material	
19S00029-30M	VG-JS3-075-125-30M	-	30 m	30 m	PE	White

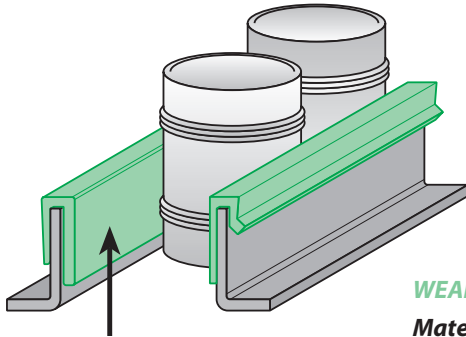


Code	Ref.				Material	
19S00015-3M	VG-JS100-125-3M	3 m	-	30 m		
19S00015-6M	VG-JS100-125-6M	6 m	-	60 m	PE	White
19S00015-30M	VG-JS100-125-30M	-	30 m	30 m		

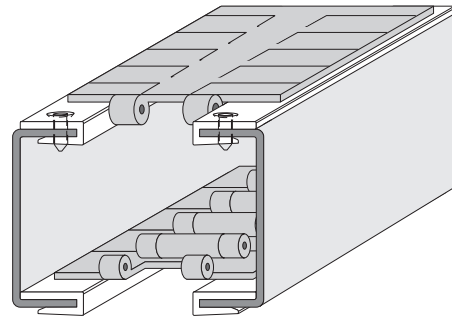
POLYETHYLENE WEAR STRIP

 Preferred type, readily available (codes marked in red)

PE
Polyethylene
UHMW



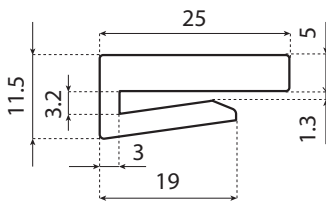
AS SIDE GUIDE







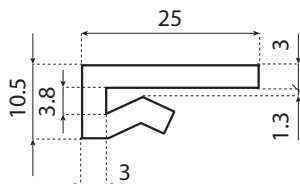
WEAR STRIP





Material:

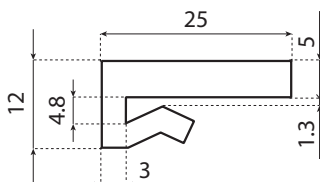
Extruded ultra high molecular weight polyethylene.
Max. continuous service temperature in air 90° C.
Water absorption coefficient = 0.



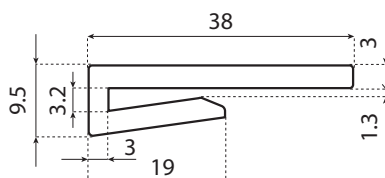
Code	Ref.				Material	
19S00018-3M	VG-JS100-188-3M	3 m	-	30 m		
19S00018-6M	VG-JS100-188-6M	6 m	-	60 m	PE	White
19S00018-30M	VG-JS100-188-30M	-	30 m	30 m		







Code	Ref.				Material	
19S00011-30M	VG-J100-125T-30M	-	30 m	30 m	PE	White



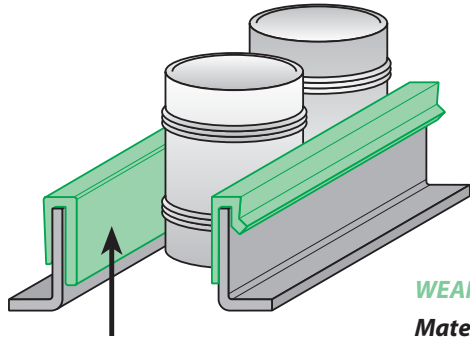
Code	Ref.				Material	
19S00012-30M	VG-J100-188-30M	-	30 m	30 m	PE	White



Code	Ref.				Material	
19S00020-3M	VG-JS150-125-3M	3 m	-	30 m		
19S00020-6M	VG-JS150-125-6M	6 m	-	60 m	PE	White
19S00020-30M	VG-JS150-125-30M	-	30 m	30 m		

POLYETHYLENE WEAR STRIP

 Preferred type, readily available (codes marked in red)

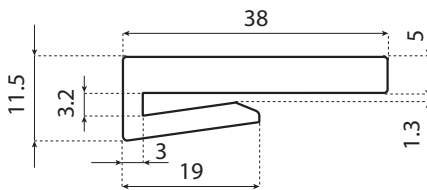
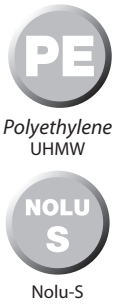
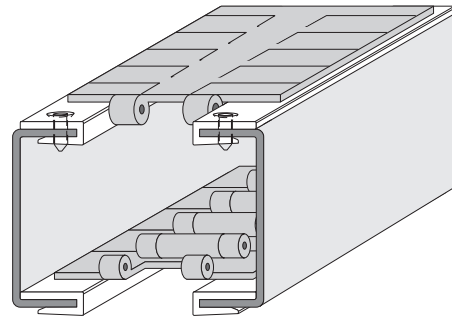






AS SIDE GUIDE

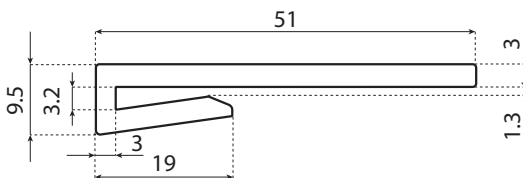
WEAR STRIP





Material:

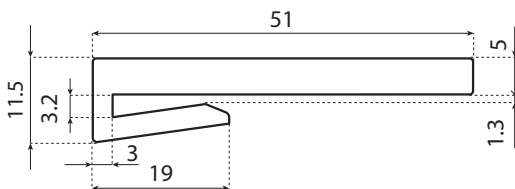
Extruded ultra high molecular weight polyethylene.
Max. continuous service temperature in air 90°C.
Water absorption coefficient = 0.







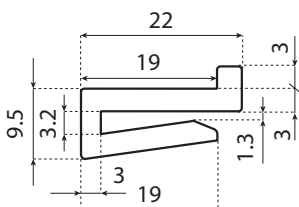
Code	Ref.				Material	
19S00021-3M	VG-JS150-188-3M	3 m	-	30 m	PE	White
19S00021-6M	VG-JS150-188-6M	6 m	-	60 m	PE	White







Code	Ref.				Material	
19S00023-3M	VG-JS200-125-3M	3 m	-	30 m	PE	White
19S00023-6M	VG-JS200-125-6M	6 m	-	60 m	PE	White

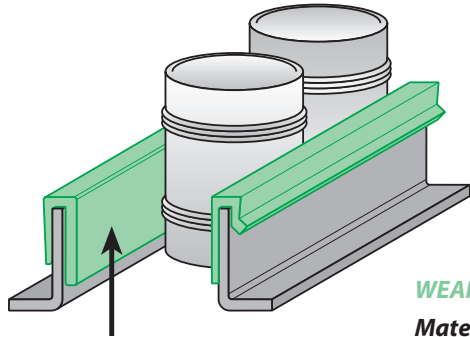


Code	Ref.				Material	
19S00024-3M	VG-JS200-188-3M	3 m	-	30 m	PE	White
19S00024-6M	VG-JS200-188-6M	6 m	-	60 m	PE	White

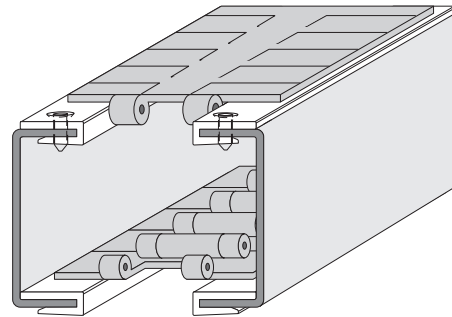


Code	Ref.				Material	
19S00016-3M	VG-JSL075-125-3M	3 m	-	30 m	PE	White
19S00016-6M	VG-JSL075-125-6M	6 m	-	60 m	PE	White
19S00016-30M	VG-JSL075-125-30M	-	30 m	30 m	PE	White
19S00016NS-30M	VG-JSL075-125-NS-30M	-	30 m	30 m	Nolu-S	Light Grey

 Preferred type, readily available (codes marked in red)



AS SIDE GUIDE



WEAR STRIP

Material:

Extruded ultra high molecular weight polyethylene.
Max. continuous service temperature in air 90° C.
Water absorption coefficient = 0.



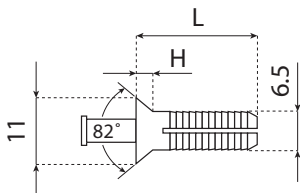
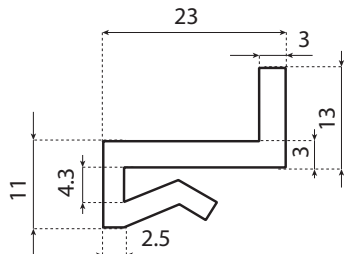
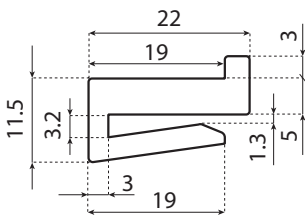
Polyethylene UHMW







Polyamide












Acetal resin

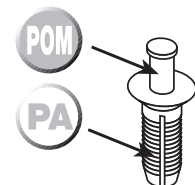
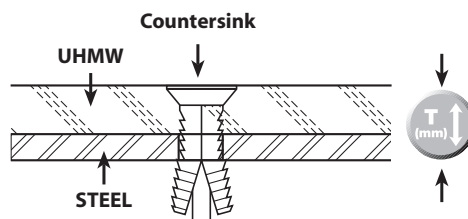


DRIVE RIVET

Code	Ref.				Material	
19S00017-30M	VG-JSL075-188-30M	-	30 m	30 m	PE	White

Code	Ref.				Material	
19S00014-3M	VG-JEL-078-125-3M	3 m	-	30 m	PE	White
19S00014-6M	VG-JEL-078-125-6M	6 m	-	60 m	PE	White

Code	Ref.						Material	
				Min.	Max.			
14S00086	VG-750-10	19	3	5	12.5			
14S00087	VG-750-20	25	3	6.5	19	n°100	PA-POM	-
14S00088	VG-750-30	38	3	19	32			



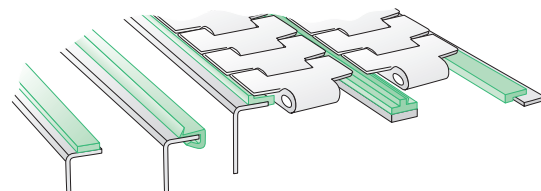
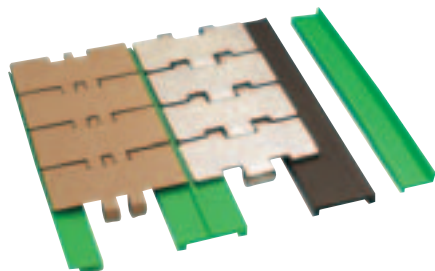
POLYETHYLENE WEAR STRIP

 Preferred type, readily available (codes marked in red)



Polyethylene
UHMW

Nolu-S



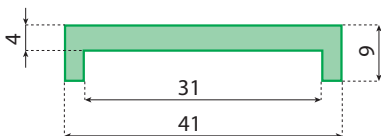
WEAR STRIP





Material:

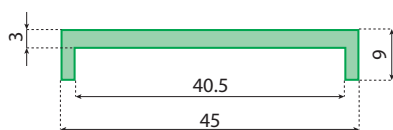
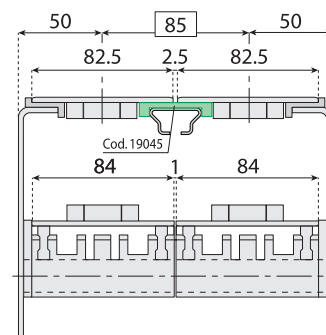
Extruded ultra high molecular weight polyethylene.


Max. continuous service temperature in air 90° C.

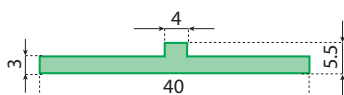
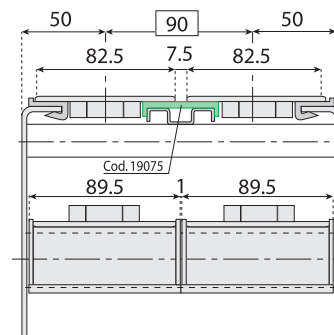
Water absorption coefficient = 0.







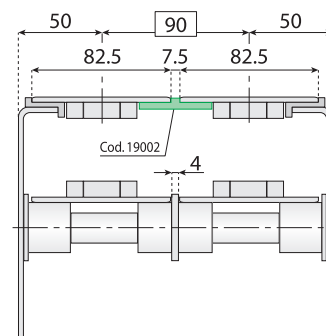
Code				Material	
19045N	6 m	-	30 m	PE	Black
19045V				Nolu-S	Green
19045NS					Grey



Code				Material	
19075N	6 m	-	30 m	PE	Black
19075V					Green

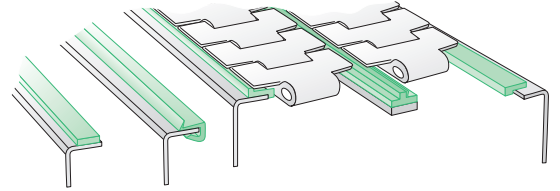
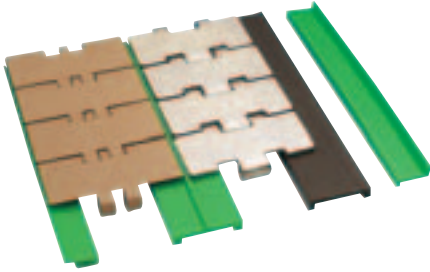


Code				Material	
19002N	-	60 m	60 m	PE	Black
19002V					Green



POLYETHYLENE WEAR STRIP

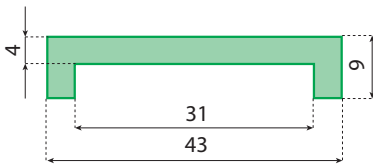
 Preferred type, readily available (codes marked in red)








WEAR STRIP

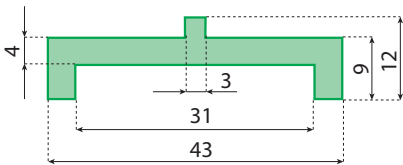
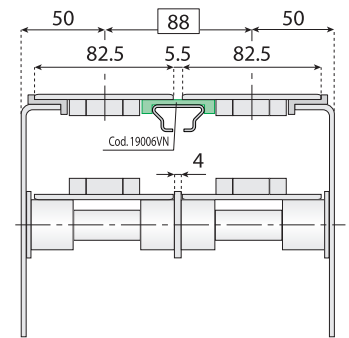
Material:

Extruded ultra high molecular weight polyethylene.
Max. continuous service temperature in air 90° C.
Water absorption coefficient = 0.








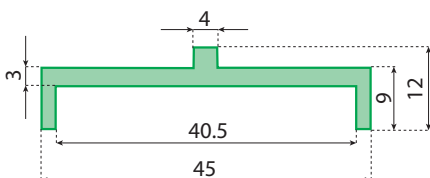
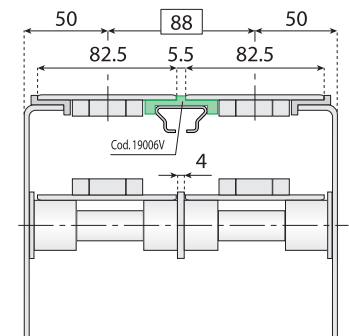
Code
19006LN
19006VN

				
-	60 m	60 m	PE	Black Green








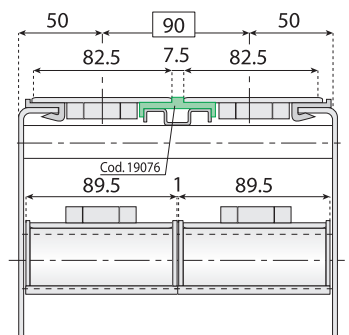
Code
19006N
19006V

				
-	60 m	60 m	PE	Black Green



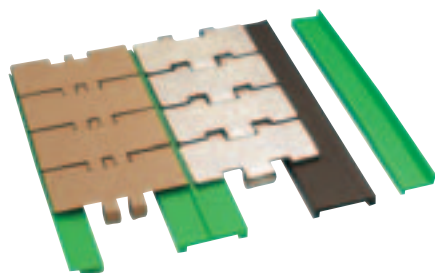
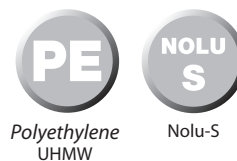
Code
19076N
19076V

				
6 m	-	30 m	PE	Black Green



POLYETHYLENE WEAR STRIP

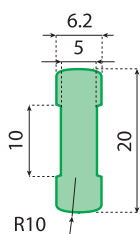
 Preferred type, readily available (codes marked in red)







WEAR STRIP

Material:

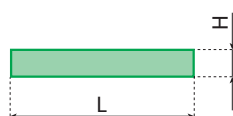
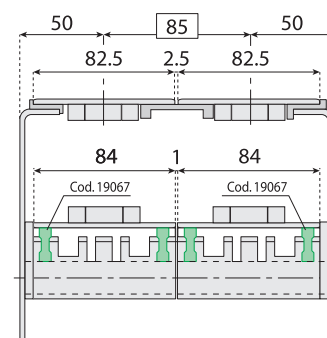
Extruded ultra high molecular weight polyethylene.
Max. continuous service temperature in air 90°C.
Water absorption coefficient = 0.






Code

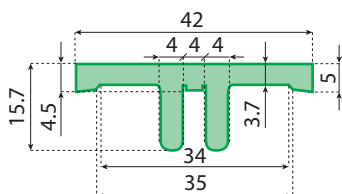
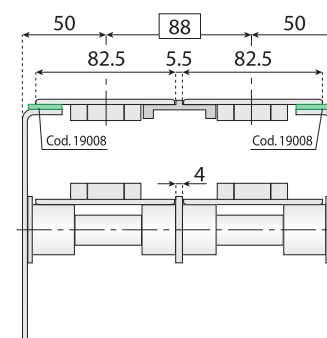
Code				Material	
19067N	-	60 m	60 m	PE	Black
19067V	-	60 m	60 m	PE	Green
19067NS	-	60 m	60 m	Nolu-S	Grey

Notes: use for spacer code 14349.



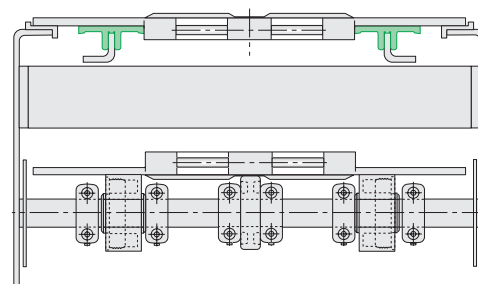
Code

Code	L x H mm			Material	
19008N	20 x 3				Black
19008V	20 x 3				Green
19009N	20 x 5				Black
19009V	20 x 5				Green
19010N	25 x 3				Black
19010V	25 x 3				Green
19011N	30 x 3				Black
19011V	30 x 3				Green
19012N	40 x 3	60 m	60 m	PE	Black
19012V	40 x 3				Green
19013N	50 x 3				Black
19013V	50 x 3				Green
19014SN	60 x 3				Black
19014SV	60 x 3				Green
19014N	70 x 3				Black
19014V	70 x 3				Green



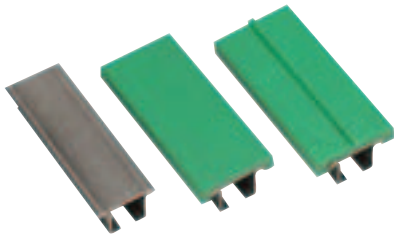
Code

Code			Material	
19093N	3 m	30 m	PE	Black
19093V				Green
19093B				White



CHAIN GUIDE WEAR STRIP

 Preferred type, readily available (codes marked in red)



WEAR STRIP

Material:

Extruded ultra high molecular weight polyethylene.
Max. continuous service temperature in air 90°C.
Water absorption coefficient = 0.



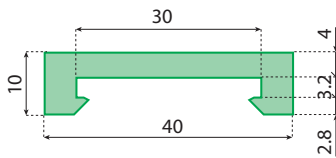
Polyethylene
UHMW



Polyethylene
antistatic
UHMW

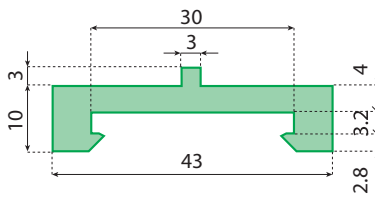
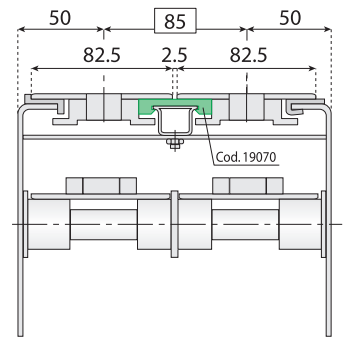


Nolu-S



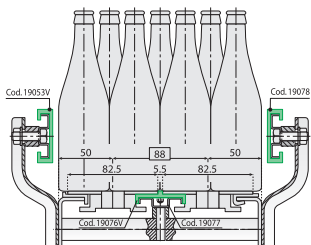
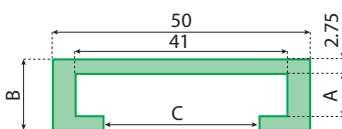
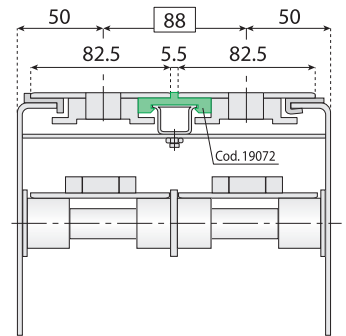
Code				Material	
19071C		3 m		PE	Black
19071		6 m		PE	Black
19070C		3 m		PE	Green
19070		6 m		PE	Green
19070BC	0.20	3 m	30 m	PE	White
19070B		6 m		PE	White
19071ASC		3 m		PE-as	Black
19071AS		6 m		PE-as	Black
19071NS		6 m		Nolu-S	Grey





Notes: this profile can be used in combination with steel profile code 19048 - 19048K.



Code				Material	
19073C		3 m		PE	Black
19073		6 m		PE	Black
19072C		3 m		PE	Green
19072		6 m		PE	Green
19072BC	0.20	3 m	30 m	PE	White
19072B		6 m		PE	White
19073ASC		3 m		PE-as	Black
19073AS		6 m		PE-as	Black

Notes: this profile can be used in combination with steel profile code 19048 - 19048K.



Code			A	B	C		Material	
19080N	0.23	3 m	6.5	12				Black
19080NL	0.23	6 m	6.5	12			PE	Black
19080V	0.23	3 m	6.5	12	30	30 m		Green
19080VL	0.23	6 m	6.5	12				Green
19053N	0.25	3 m	8.5	14				Black
19053NL	0.25	6 m	8.5	14			PE	Black
19053V	0.25	3 m	8.5	14	27.5	30 m		Green
19053VL	0.25	6 m	8.5	14				Green
19081N	0.27	3 m	10.5	16				Black
19081NL	0.27	6 m	10.5	16			PE	Black
19081V	0.27	3 m	10.5	16	35	30 m		Green
19081VL	0.27	6 m	10.5	16				Green

CHAIN GUIDE WEAR STRIP

 Preferred type, readily available (codes marked in red)



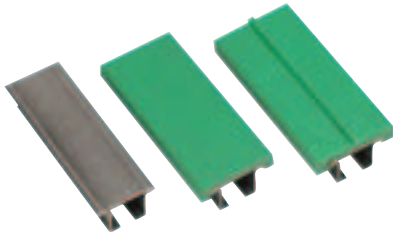
Polyethylene
UHMW



Polyethylene
antistatic
UHMW



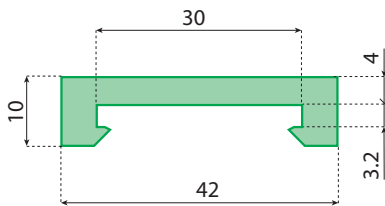
Nolu-S








WEAR STRIP

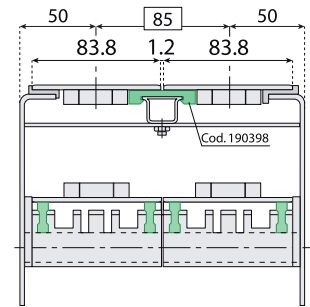
Material:

Extruded ultra high molecular weight polyethylene.
Max. continuous service temperature in air 90° C.
Water absorption coefficient = 0.

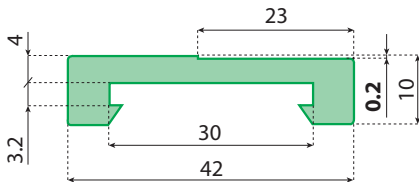







Code					
190397C		3 m		PE	Black
190397		6 m		PE	Black
190398C		3 m		PE	Green
190398		6 m		PE	Green
190398BC	0.20	3 m	30 m	PE	White
190398B		6 m		PE	White
190397ASC		3 m		PE-as	Black
190397AS		6 m		PE-as	Black
190397NS		6 m		Nolu-S	Grey

Notes: this profile can be used in combination with steel profile code 19048 - 19048K.

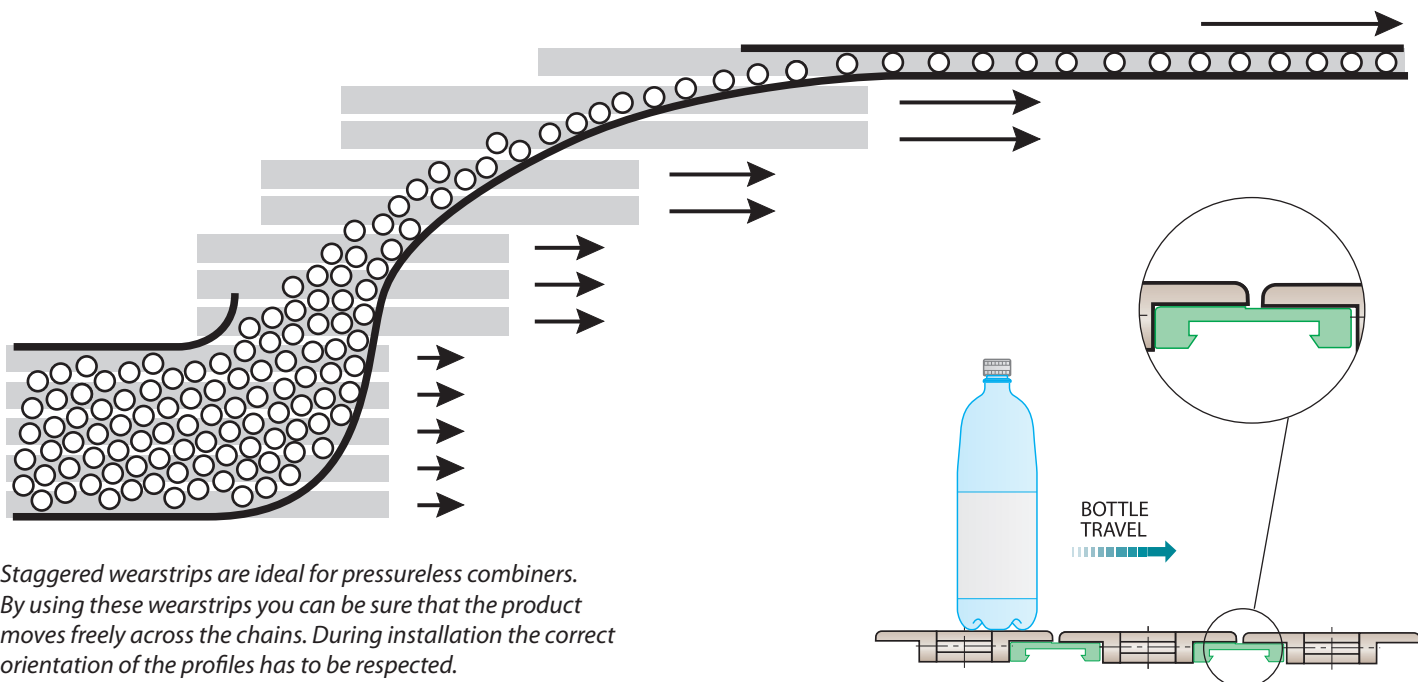


STAGGERED VERSION



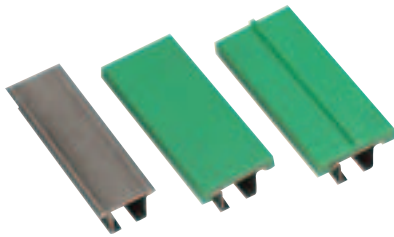
Code					
190397C-ST		3 m		PE	Black
190397-ST		6 m		PE	Black
190398C-ST		3 m		PE	Green
190398-ST		6 m		PE	Green
190398BC-ST	0.20	3 m	30 m	PE	White
190398B-ST		6 m		PE	White
190397ASC-ST		3 m		PE-as	Black
190397AS-ST		6 m		PE-as	Black
190397NS-ST		6 m		Nolu-S	Grey

Notes: this profile can be used in combination with steel profile code 19048 - 19048K.



Staggered wearstrips are ideal for pressureless combiners. By using these wearstrips you can be sure that the product moves freely across the chains. During installation the correct orientation of the profiles has to be respected.

 Preferred type, readily available (codes marked in red)



CHAIN GUIDE WEAR STRIP

Material:

- Metal profile in stainless steel AISI 304.
- Wear strip in UHMWPE.

Characteristics:

- Very low friction coefficient.
- High resistance to chemical agents.
- No liquid absorption.

Supply:

- 3 or 6 meters.
- Steel profile and wear strip are supplied assembled.

Application:

- As chain guide.
- As side guide.



Polyethylene
UHMW



Polyethylene
antistatic
UHMW

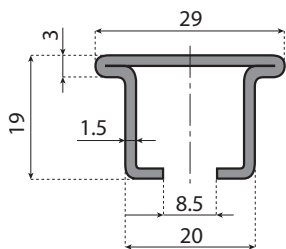


AISI 304
Stainless steel



Accessories

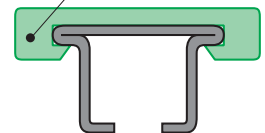
STAINLESS STEEL PROFILE



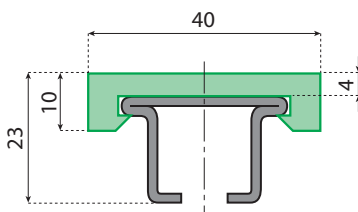
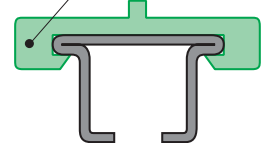
Code	Kg/m	L	Material
19048C	0.90	3 m	SS 304
19048		6 m	

These profiles are applicable to code 19048 - 19048C

cod. **19070 - 19071**

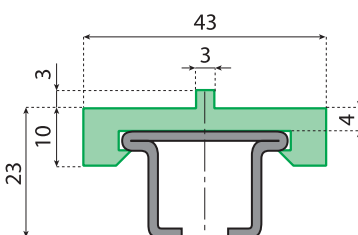
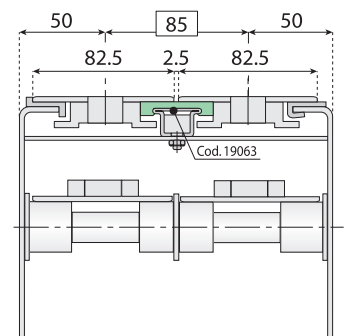


cod. **19072 - 19073**



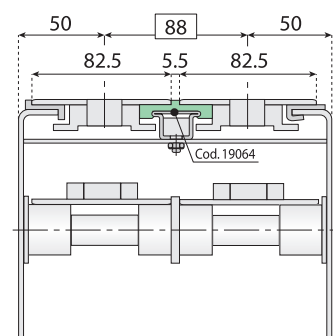
Code	Kg/m	L	Material	Color
19063NC		3 m	PE	Black
19063N		6 m	PE	Black
19063VC		3 m	PE	Green
19063V	1.10	6 m	PE	Green
19063BC		3 m	PE	White
19063B		6 m	PE	White
19063ASC		3 m	PE-as	Black
19063AS		6 m	PE-as	Black

Notes: the stainless steel profile and wear strip are supplied assembled.



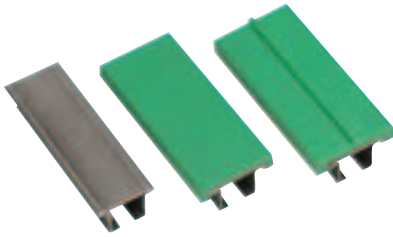
Code	Kg/m	L	Material	Color
19064NC		3 m	PE	Black
19064N		6 m	PE	Black
19064VC		3 m	PE	Green
19064V	1.10	6 m	PE	Green
19064BC		3 m	PE	White
19064B		6 m	PE	White
19064ASC		3 m	PE-as	Black
19064AS		6 m	PE-as	Black

Notes: the stainless steel profile and wear strip are supplied assembled.



CHAIN GUIDE WEAR STRIP

 Preferred type, readily available (codes marked in red)



CHAIN GUIDE WEAR STRIP

Material:

- Metal profile in stainless steel AISI 430.
- Wear strip in UHMWPE.

Characteristics:

- Very low friction coefficient.
- High resistance to chemical agents.
- No liquid absorption.

Supply:

- 3 or 6 meters.
- Steel profile and wear strip are supplied assembled.

Application:

- As chain guide.
- As side guide.



Polyethylene
UHMW



Polyethylene
antistatic
UHMW

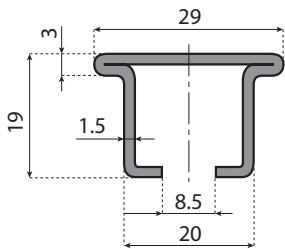


AISI 430
Stainless steel



Accessories

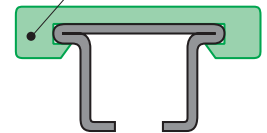
STAINLESS STEEL PROFILE



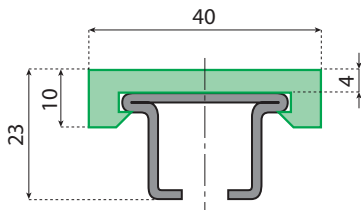
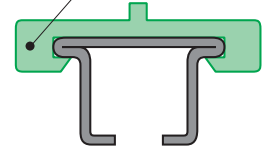
Code	Kg/m	L	Material
19048KC	0.90	3 m	SS 430
19048K		6 m	

These profiles are applicable
to code 19048 - 19048C

cod. **19070 - 19071**

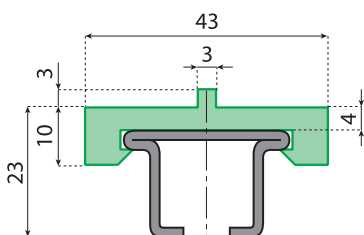
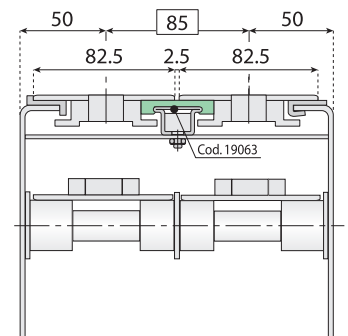


cod. **19072 - 19073**



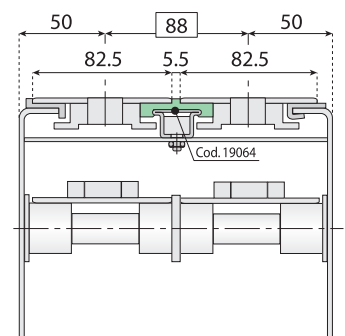
Code	Kg/m	L	Material	Color
19063KNC		3 m	PE	Black
19063KN		6 m	PE	Black
19063KVC		3 m	PE	Green
19063KV	1.10	6 m	PE	Green
19063KBC		3 m	PE	White
19063KB		6 m	PE	White
19063KASC		3 m	PE-as	Black
19063KAS		6 m	PE-as	Black

Notes: the stainless steel profile and wear strip are supplied assembled.



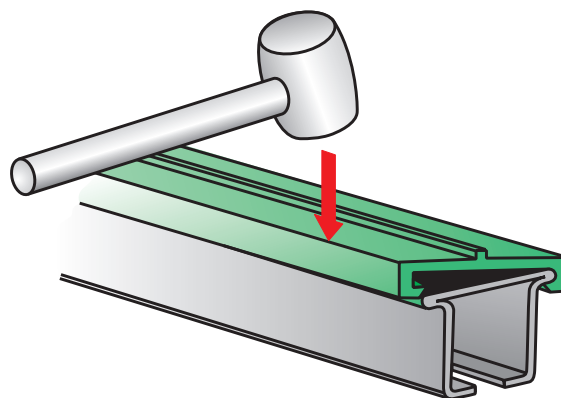
Code	Kg/m	L	Material	Color
19064KNC		3 m	PE	Black
19064KN		6 m	PE	Black
19064KVC		3 m	PE	Green
19064KV	1.10	6 m	PE	Green
19064KBC		3 m	PE	White
19064KB		6 m	PE	White
19064KASC		3 m	PE-as	Black
19064KAS		6 m	PE-as	Black

Notes: the stainless steel profile and wear strip are supplied assembled.



ASSEMBLY

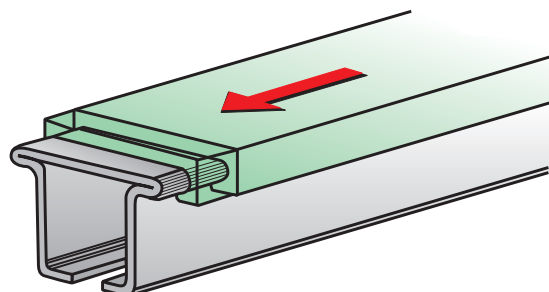
Notes: steel profile and wear strip can be assembled by using a rubber hammer.



THERMAL EXPANSION

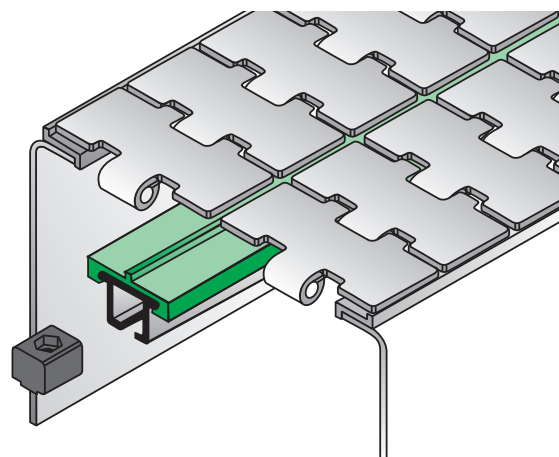
Notes:

- Coefficient of linear expansion of wear strip between + 20° C and + 120° C = 2×10^{-4} mm/°C.
- Max. continuous service temperature in air: 90° C.
- Water absorption = 0.



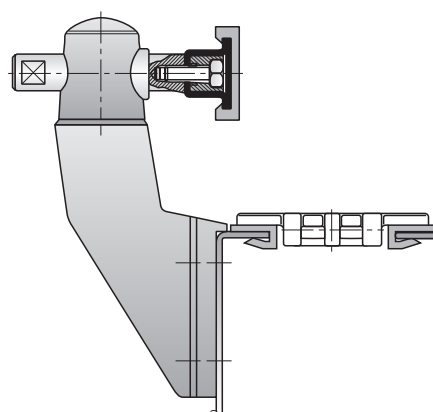
FIXING

Notes: rapid wear strip assembly with M6 or M8 screws.



SIDE GUIDE

Application: the profile can be used on several conveyors as a side guide or as a chains support in combination with standard UHMWPE guides or wear strip.



WEAR STRIP SHOE FOR STEEL PROFILE

 Preferred type, readily available (codes marked in red)



Polyamide

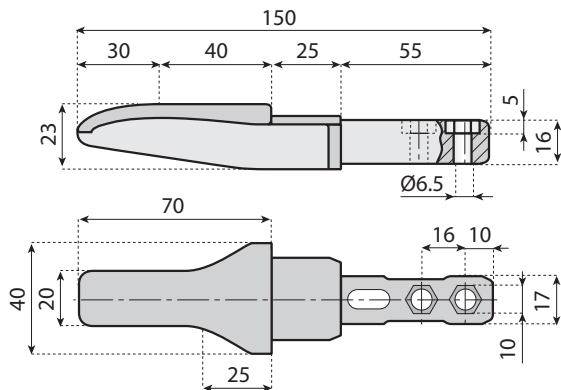


Accessories





WEAR STRIP SHOE

Application: shoes are used to help chain guide between idler wheels and wear strip and must be fixed with M6 screws.



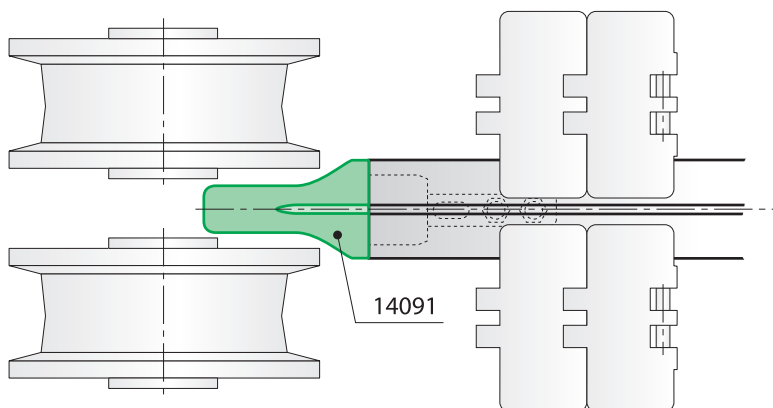
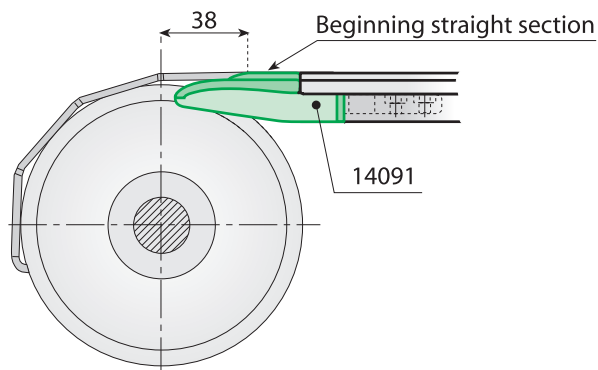
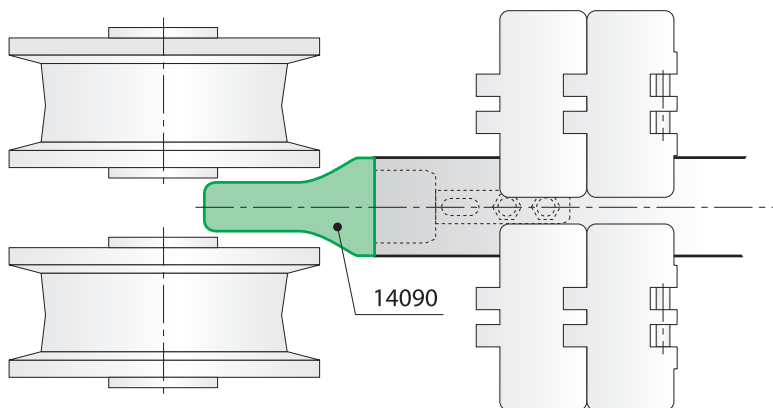
WEAR STRIP SHOE

Application: with chain L 82,5 - K325.

Code	for screws		Material	
14090	M 6	n°50	PA	Black Green
14090V	M 6	n°50	PA	Black Green





APPLICATION EXAMPLE



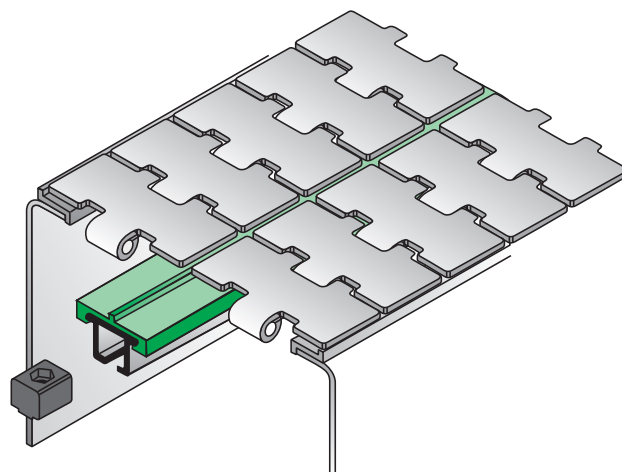
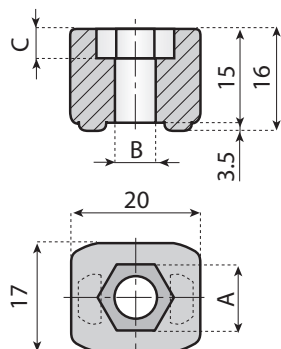
WEAR STRIP SHOE

Application: with chain L 82,5 - K325 pitch P = 88 mm.

Code	for screws		Material	
14091	M 6	n°50	PA	Black Green
14091V	M 6	n°50	PA	Black Green



CHAIN GUIDE WEAR STRIP (ACCESSORIES)

 Preferred type, readily available (codes marked in red)

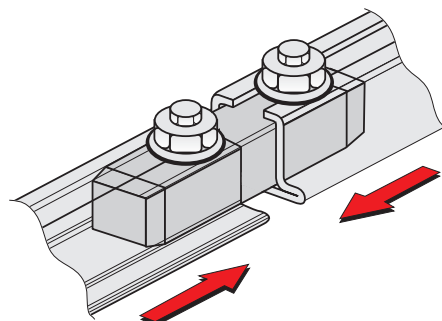
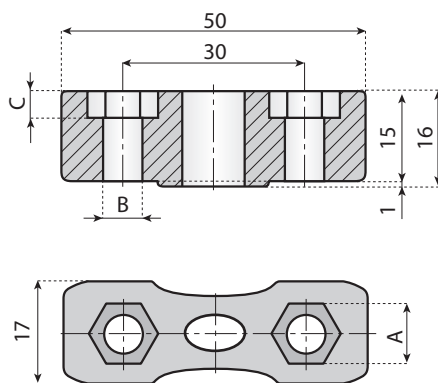


FIXING CLAMP



Application: rapid wear strip assembly with M6 or M8 screws.

Code	A mm	B mm	C mm	for screws		Material	
14108	10	6.2	4.5	M6	n°100	PA-FG	Black
14109	13	8.2	6	M8			

Notes: screws are not included.



CONNECTING ELEMENT

Code	A mm	B mm	C mm	for screws		Material	
14075	10	6.2	4.5	M6	n°100	PA-FG	Black
14111	13	8.2	6	M8			

Notes: screws are not included.

WEAR STRIP SHOE FOR STEEL PROFILE

 Preferred type, readily available (codes marked in red)



Polyamide



Accessories

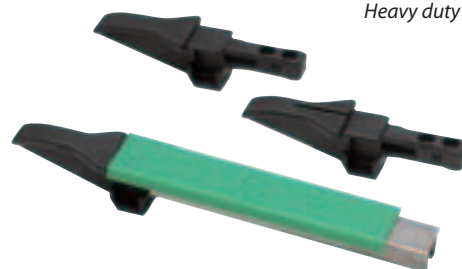
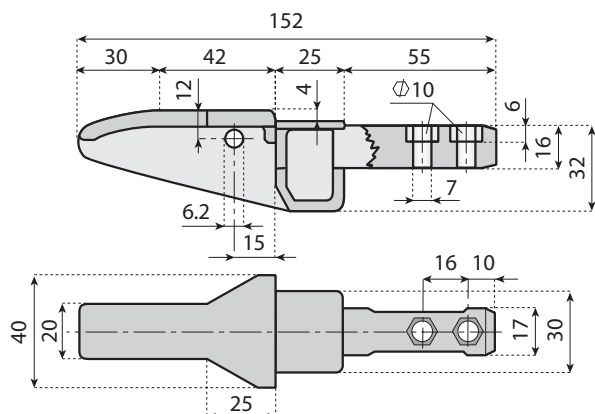


Heavy duty





WEAR STRIP SHOE

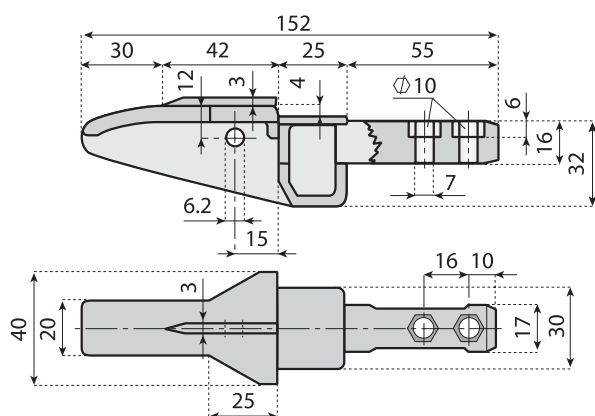
Application: shoes are used to help chain guide between idler wheels and wear strip and must be fixed with M6 screws.



WEAR STRIP SHOE



Application: with chain L 82,5 - K325.

Code	for screws		Material	
14110	M 6	n°50	PA	Black
14110V	M 6	n°50	PA	Green

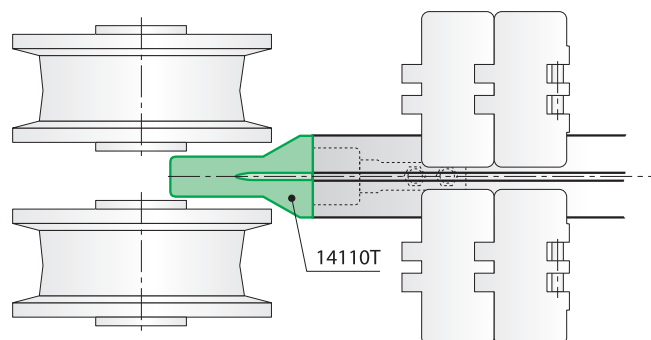
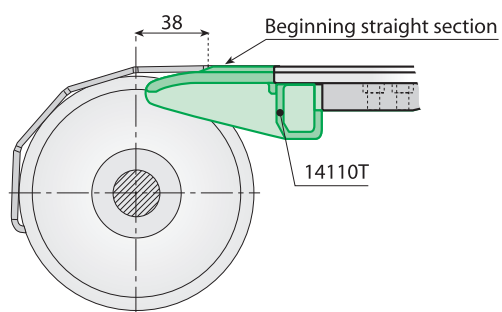
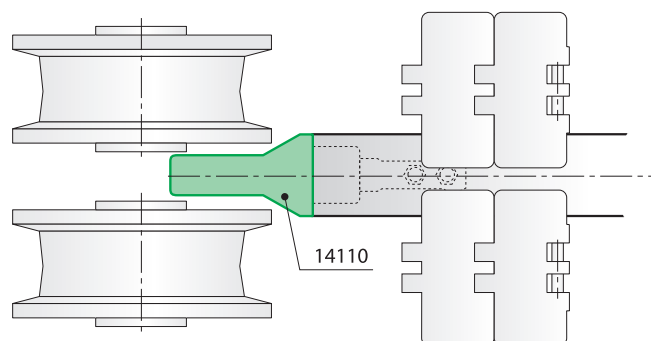


WEAR STRIP SHOE

Application: with chain L 82,5 - K325 pitch P = 88 mm.

Code	for screws		Material	
14110T	M 6	n°50	PA	Black
14110TV	M 6	n°50	PA	Green

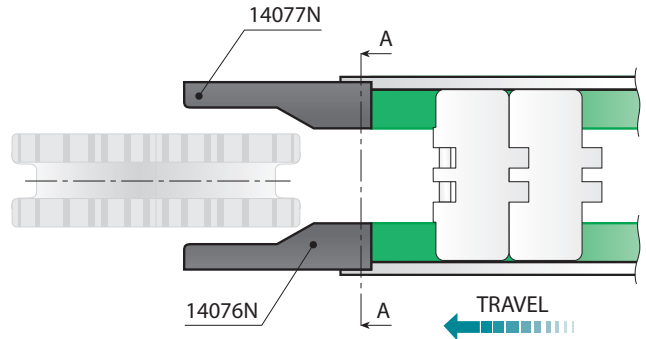
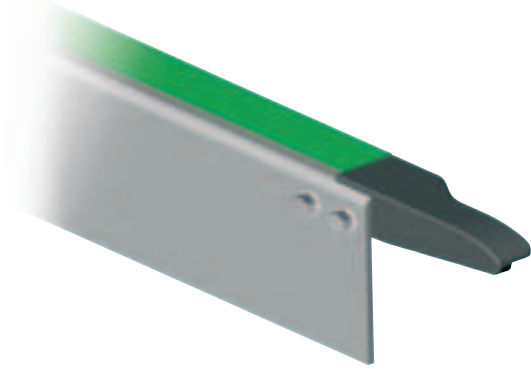
APPLICATION EXAMPLE



CHAIN INLET GUIDE SHOES



 Preferred type, readily available (codes marked in red)





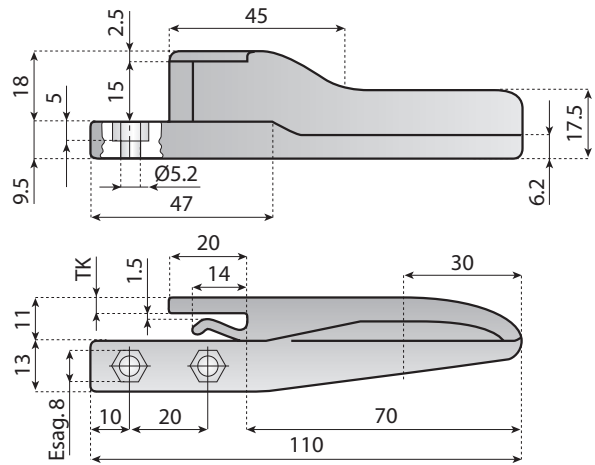
CHAIN INLET GUIDE SHOES

Application: shoes are used to help chain guide between idler wheels and wear strip and must be fixed with M5 screws.





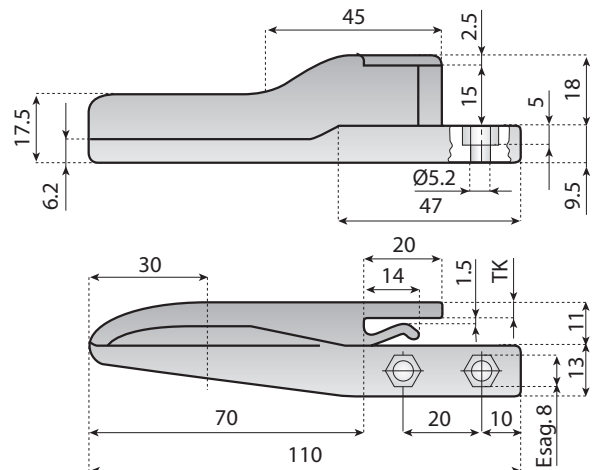
GUIDE SHOE (right version)

Code	fixing screws	TK		Material	
14076N	M 5	3 mm	n°10	PA	Black
14076V		3 mm			Green
14087N		4 mm			Black
14087V		4 mm			Green



GUIDE SHOE (left version)

Code	fixing screws	TK		Material	
14077N	M 5	3 mm	n°10	PA	Black
14077V		3 mm			Green
14088N		4 mm			Black
14088V		4 mm			Green

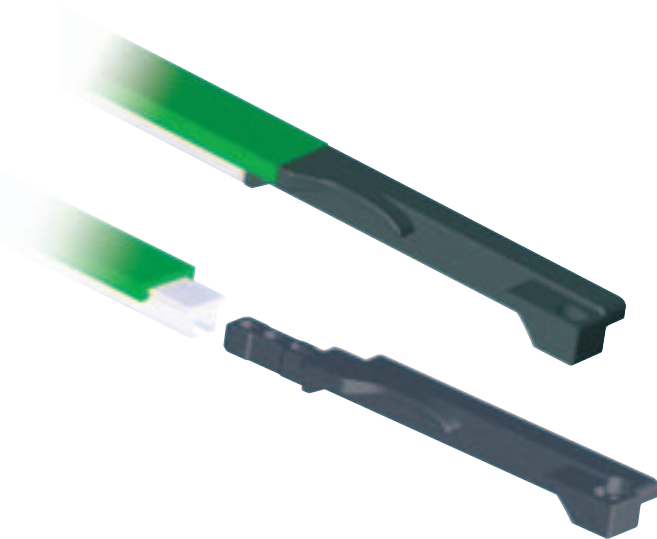
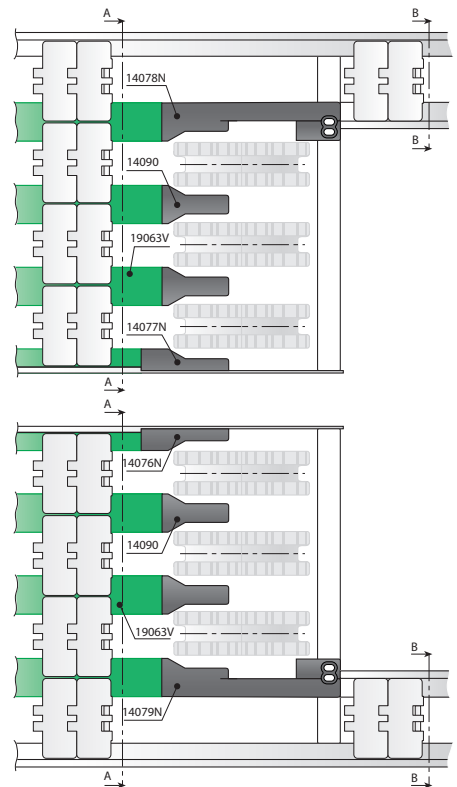


SIDE TRANSFER GUIDE SHOE

 Preferred type, readily available (codes marked in red)





IMPROVED DESIGN

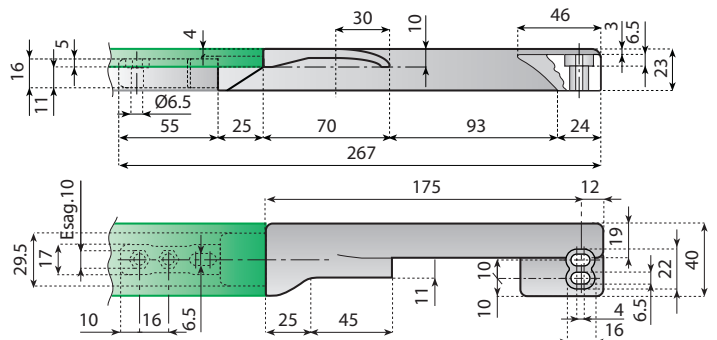


SIDE TRANSFER GUIDE SHOE



Application: shoes are used to help chain guide between idler wheels and wear strip and must be fixed with M6 screws.

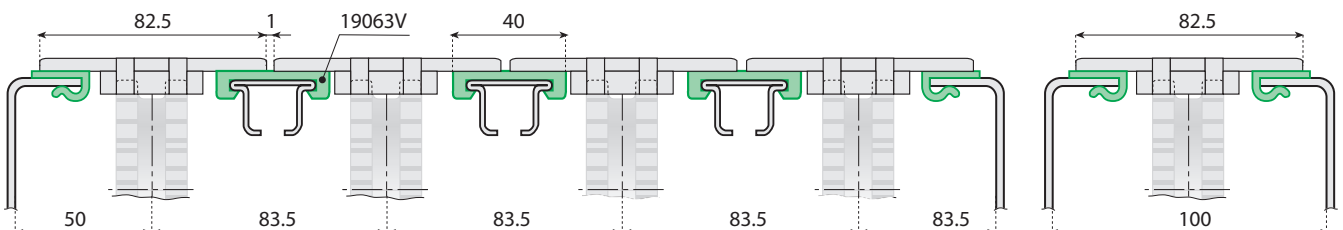
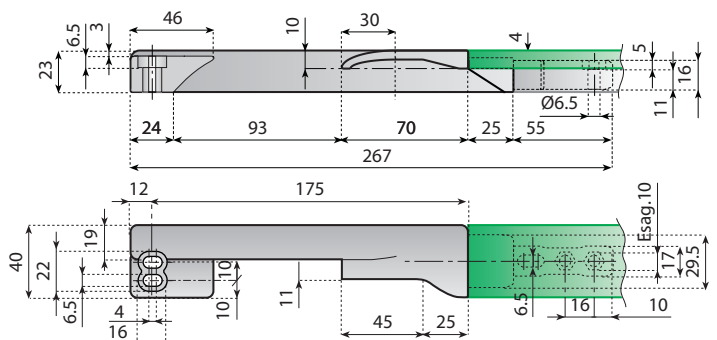
SIDE TRANSFER GUIDE SHOE - RIGHT VERSION

Code	fixing screws		Material	
14078N 14078V	M 6	n°10	PA	Black Green

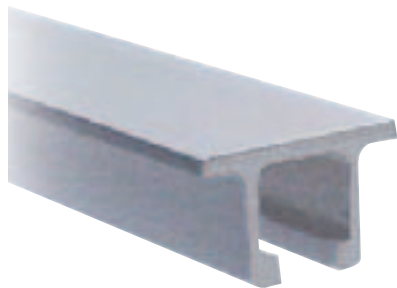


SIDE TRANSFER GUIDE SHOE - LEFT VERSION

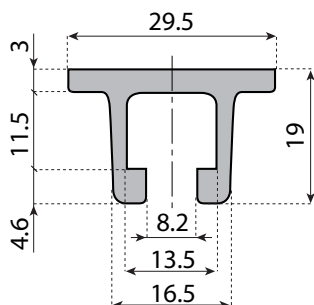
Code	fixing screws		Material	
14079N 14079V	M 6	n°10	PA	Black Green



 Preferred type, readily available (codes marked in red)



ALUMINIUM PROFILE



CHAIN GUIDE WEAR STRIPS

Material:

- Metal profile in anodized aluminium.
- Wear strip in UHMWPE.

Characteristics:

- Very low friction coefficient.
- Moderate resistance to chemical agents.
- No liquid absorption.

Supply:

- 3 or 6 meters.
- Metal profile and wear strip are supplied assembled.

Application:

- As chain guide (carry and return).
- As side guide.



Polyethylene
UHMW



Polyethylene
antistatic
UHMW



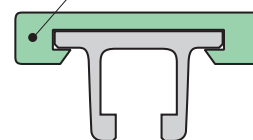
Anodized
aluminium



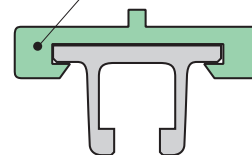
Accessories

These profiles are applicable to code 19097 - 19097L

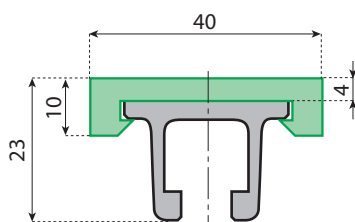
cod. **19070 - 19071**



cod. **19072 - 19073**

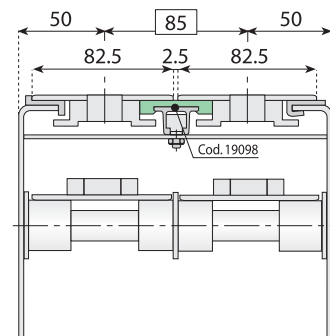


CHAIN GUIDE WEAR STRIP

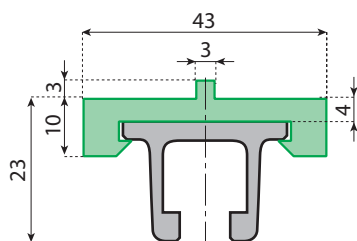


Code	Kg/m	L	Material	Color	
19098N	0.68	3 m	PE	Black	
19098NL		6 m	PE	Black	
19098V		3 m	PE	Green	
19098VL		6 m	30 m	PE	Green
19098B		3 m	PE	White	
19098BL		6 m	PE	White	
19098AS		3 m	PE-as	Black	
19098ASL		6 m	PE-as	Black	

Notes: the aluminium profile and wear strip are supplied assembled.

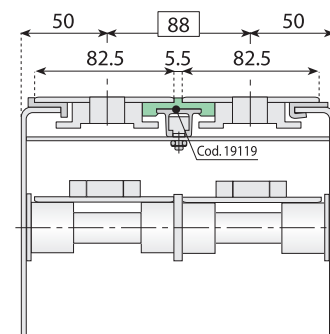


CHAIN GUIDE WEAR STRIP



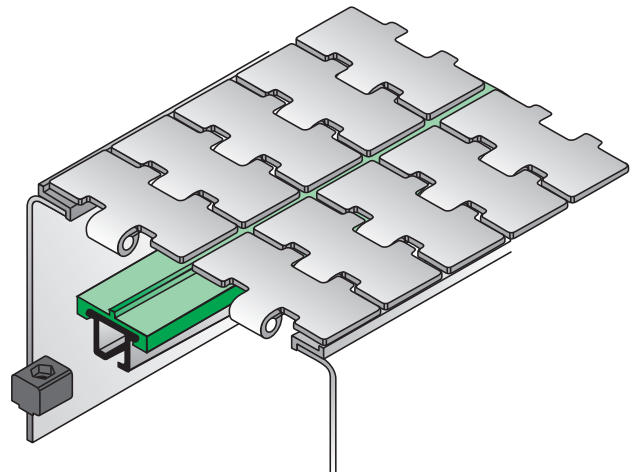
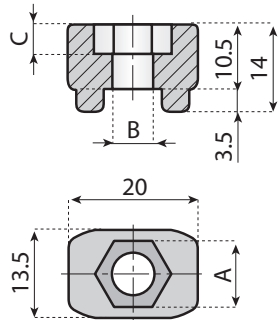
Code	Kg/m	L	Material	Color	
19119N	0.70	3 m	PE	Black	
19119NL		6 m	PE	Black	
19119V		3 m	PE	Green	
19119VL		6 m	30 m	PE	Green
19119B		3 m	PE	White	
19119BL		6 m	PE	White	
19119AS		3 m	PE-as	Black	
19119ASL		6 m	PE-as	Black	

Notes: the aluminium profile and wear strip are supplied assembled.





CHAIN GUIDE WEAR STRIP ACCESSORIES FOR ALUMINIUM PROFILE

 Preferred type, readily available (codes marked in red)

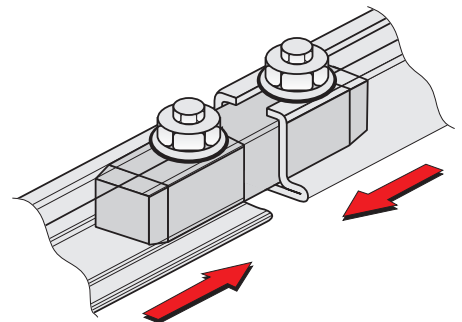
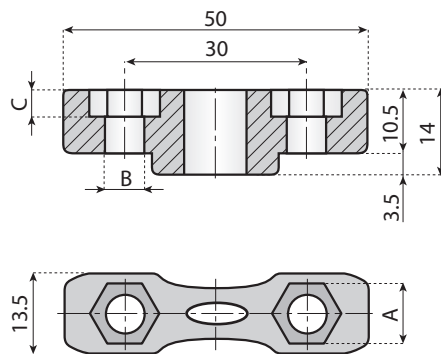


FIXING CLAMP



Application: rapid wear strip assembly with screws M6 or M5.

Code	A mm	B mm	C mm	for screws		Material	
14084	10	6.2	4.5	M6	n°100	PA-FG	Black
14085	8	5.2	4	M5			

Notes: screws are not included.



CONNECTING ELEMENT

Code	A mm	B mm	C mm	for screws		Material	
14082	10	6.2	4.5	M6	n°100	PA-FG	Black
14083	8	5.2	4	M5			

Notes: screws are not included.

CHAIN GUIDE WEAR STRIP ACCESSORIES FOR ALUMINIUM PROFILE

 Preferred type, readily available (codes marked in red)

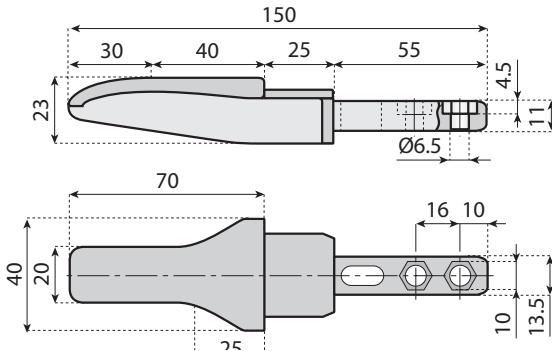


Polyamide





WEAR STRIP SHOE

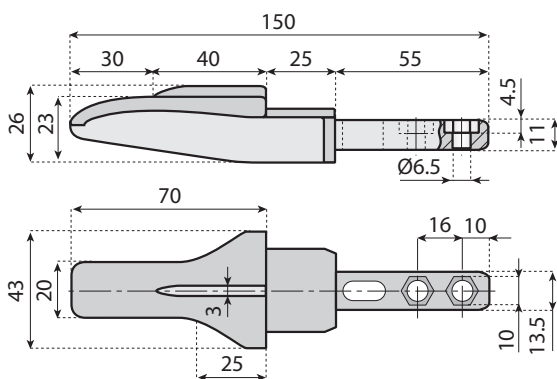
Application: shoes are used to help chain guide between idler wheels and wear strip and must be fixed with M6 screws.



WEAR STRIP SHOE



Application: with chain L 82,5 - K325.

Code	for screws		Material	
14080	M 6	n°50	PA	Black
14080V				Green

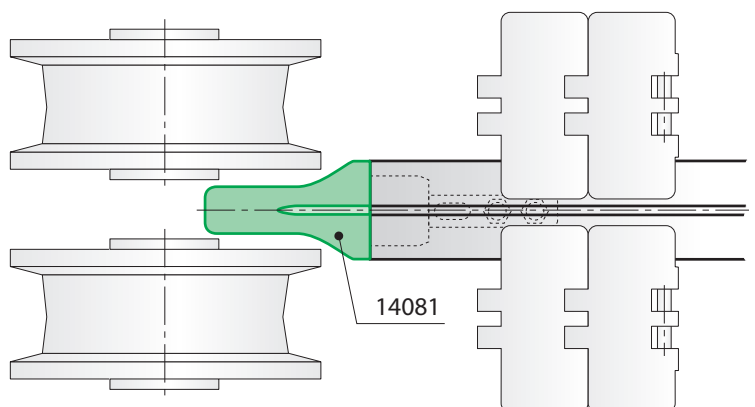
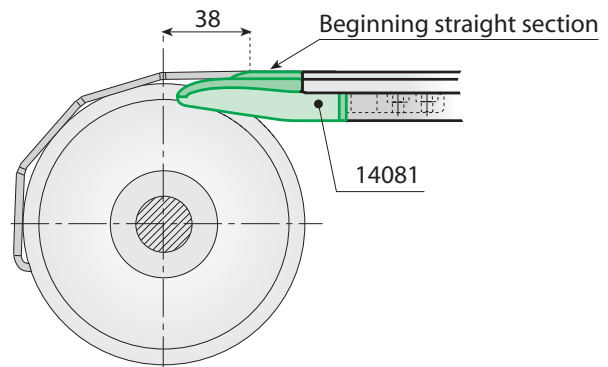
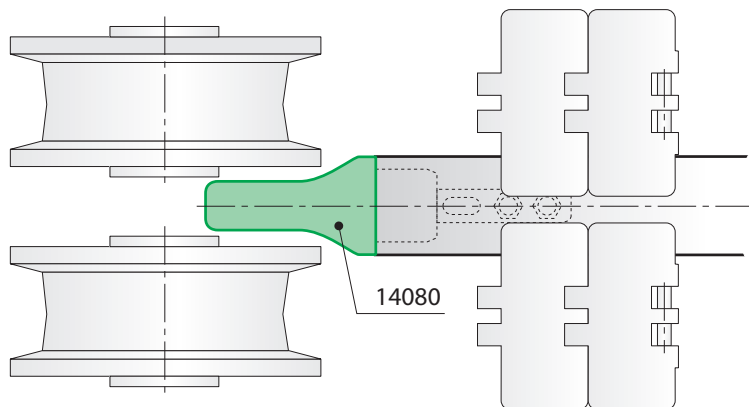


WEAR STRIP SHOE

Application: with chain L 82,5 - K325 distance 88 mm.

Code	for screws		Material	
14081	M 6	n°50	PA	Black
14081V				Green

APPLICATION EXAMPLE

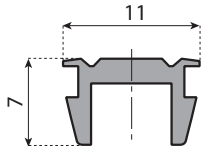


CHAIN GUIDE WEAR STRIP (ACCESSORIES)

 Preferred type, readily available (codes marked in red)

TPR
Thermoplastic
rubber

**PA
FG**
Reinforced
polyamide





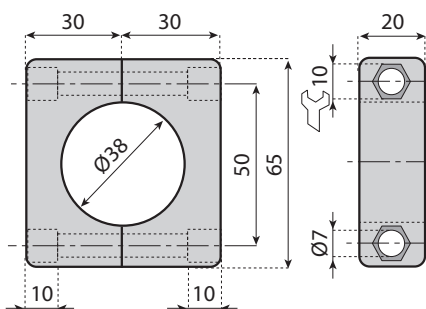
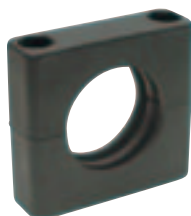
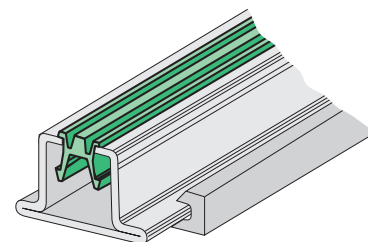
PROTECTION TAPE

Application: protection of steel profile against infiltration of liquids and dust.

Code

19049

 30 m
 TPR



WEAR STRIP CLAMP

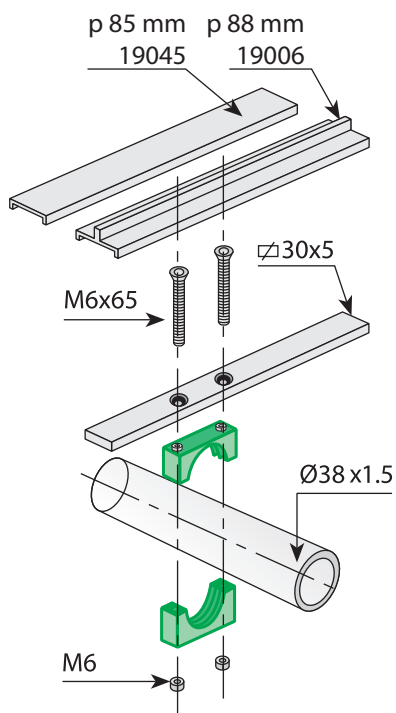
Application: support of wear strip.

Code

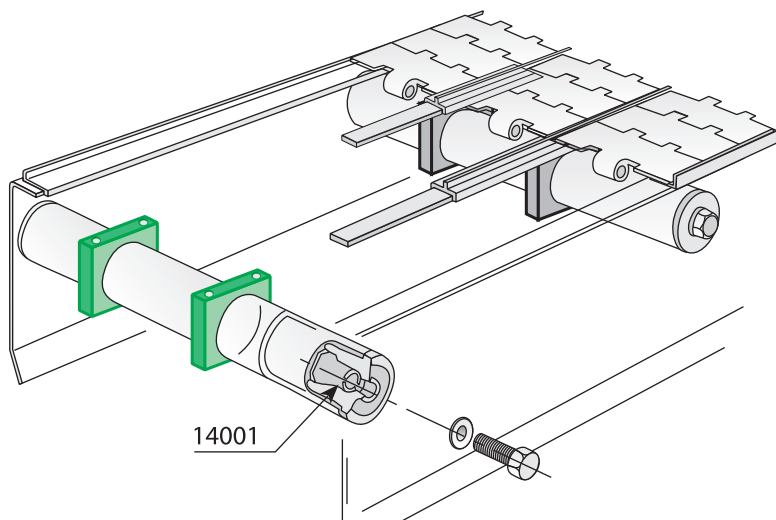
14347

 n°50
 PA-FG

Notes: screws are not included.



APPLICATION EXAMPLE



 Preferred type, readily available (codes marked in red)



Polyethylene
UHMW



Nolu-S

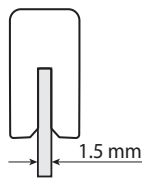
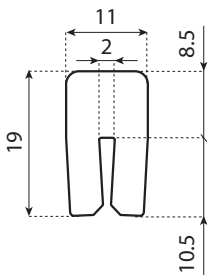
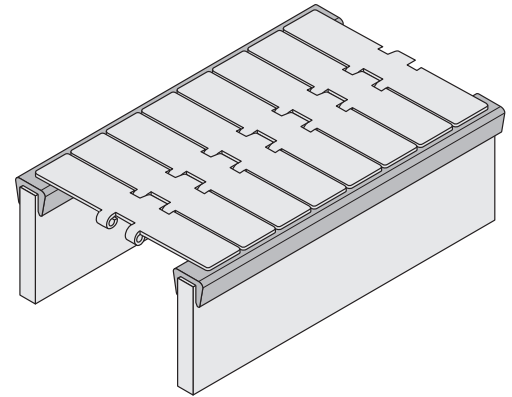
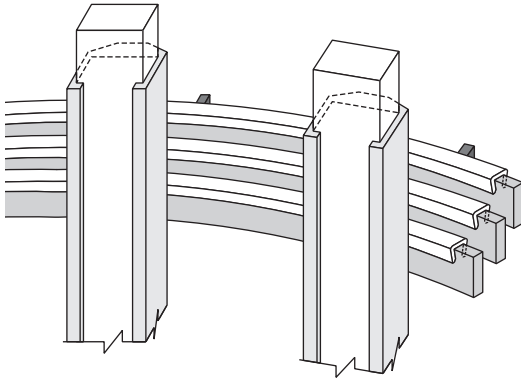


Nolu-SR

BAR CAPS

Material:

Extruded ultra high molecular weight polyethylene.
Max. continuous service temperature in air 90°C.
Water absorption coefficient = 0.



Code

Ref.



19S00050-3M
19S00050-6M

VG-P116HD-3M
VG-P116HD-6M

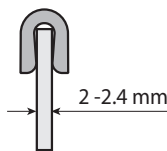
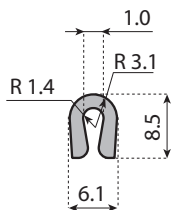
3 m
6 m

-

30 m
60 m

PE

White



Code

Ref.



19S00036NS-30M
19S00036NS-75M
19S00036NSR-30M
19S00036NSR-75M

VG-P105R-30M
VG-P105R-75M
VG-P105RCL-30M
VG-P105RCL-75M

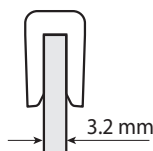
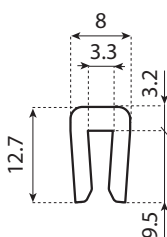
-

30 m
75 m
30 m
75 m

30 m
75 m
30 m
75 m

Nolu-S
Nolu-S
Nolu-SR
Nolu-SR

Light Grey
Light Grey
Dark Grey
Dark Grey



Code

Ref.



19S00056-30M
19S00056NS-30M

VG-P18BC-30M
VG-P18BC-NS-30M

-

30 m

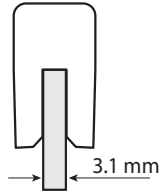
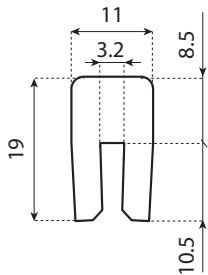
30 m

PE
Nolu-S

White
Light Grey

BAR CAPS

 Preferred type, readily available (codes marked in red)



Code

Ref.

19S00062-3M
19S00062-6M

VG-P18HD-3M
VG-P18HD-6M



3 m
6 m



-



30 m
60 m



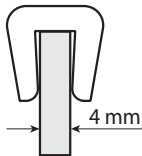
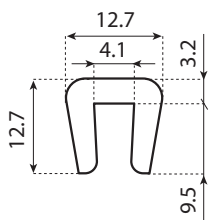
Material

PE



Color

White



Code

Ref.

19S00082-30M
19S00082-75M

VG-PM4BC-30M
VG-PM4BC-75M



-



30 m
75 m



30 m
75 m



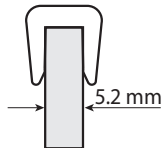
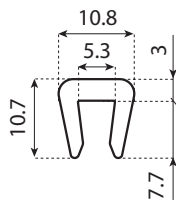
Material

PE



Color

White



Code

Ref.

19S00066-3M
19S00066-6M
19S00066-30M

VG-P316BC-3M
VG-P316BC-6M
VG-P316BC-30M



3 m
6 m
-



-
-



30 m
60 m
30 m



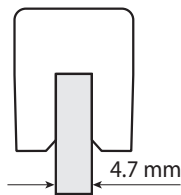
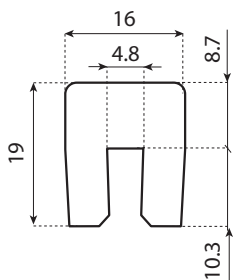
Material

PE



Color

White



Code

Ref.

19S00067-3M
19S00067-6M

VG-P316HD-3M
VG-P316HD-6M



3 m
6 m



-



30 m
60 m



Material

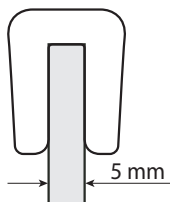
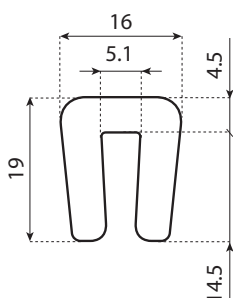
PE



Color

White

* VERY TIGHT FIT



Code

Ref.

19S00073-3M
19S00073-6M
19S00073-30M
19S00073NS-3M
19S00073NS-6M

VG-P7GABC-3M
VG-P7GABC-6M
VG-P7GABC-30M
VG-P7GABC-NS-3M
VG-P7GABC-NS-6M



3 m
6 m
-



-
-



30 m
30 m



Material

PE
PE
PE



Color

White
White
White

Nolu-S
Nolu-S

Light Grey
Light Grey

 Preferred type, readily available (codes marked in red)

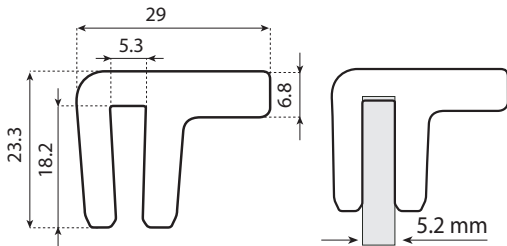
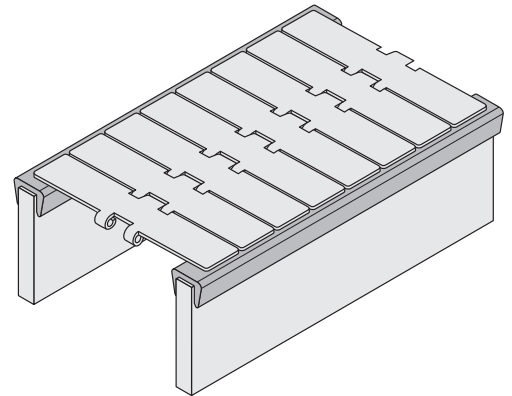
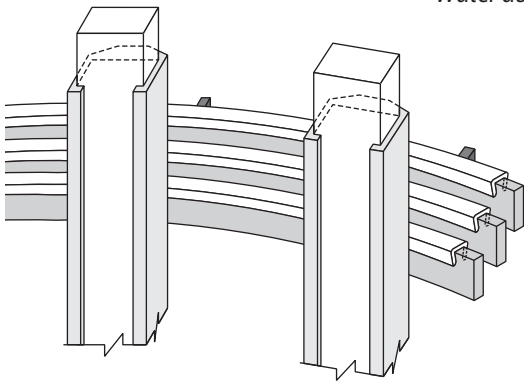
PE
Polyethylene
UHMW





**NOLU
SR**
Nolu-S

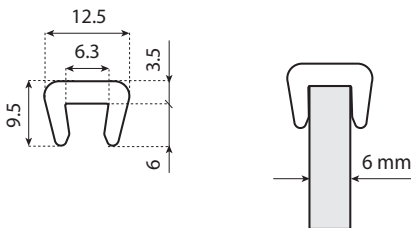
BAR CAPS





Material:

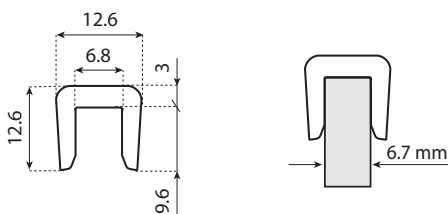
Extruded ultra high molecular weight polyethylene.
Max. continuous service temperature in air 90° C.
Water absorption coefficient = 0.



Code	Ref.				Material	
19S00076-3M	VG-P7GAHD-3M	3 m	-	30 m	PE	White
19S00076-6M	VG-P7GAHD-6M	6 m	-	60 m	PE	White
19S00076NS-6M	VG-P7GAHD-NS-6M	6 m	-	30 m	Nolu-S	Light Grey



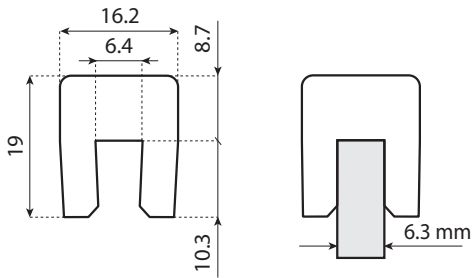
Code	Ref.				Material	
19S00055-30M	VG-P14SBC-30M	-	30 m	30 m	PE	White







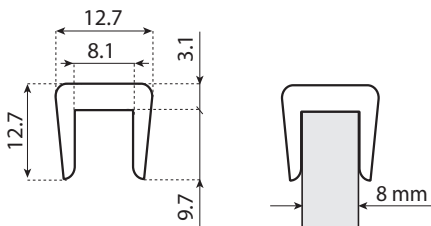
Code	Ref.				Material	
19S00052-30M	VG-P14BC-30M	-	30 m	30 m	PE	White
19S00052-150M	VG-P14BC-150M	-	150 m	150 m	PE	White





BAR CAPS

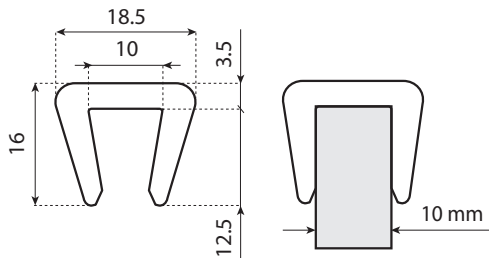
 Preferred type, readily available (codes marked in red)







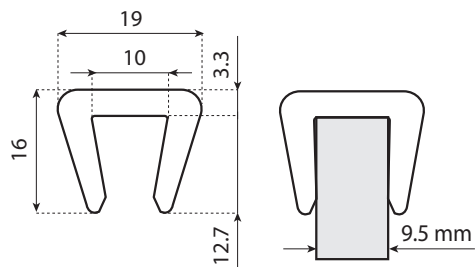
Code	Ref.				Material	
19S00054-3M	VG-P14HD-3M	3 m	-	30 m	PE	White
19S00054-6M	VG-P14HD-6M	6 m	-	60 m	PE	White







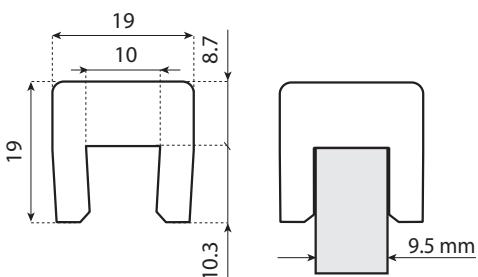
Code	Ref.				Material	
19S00071-6M	VG-P516BC-6M	6 m	-	60 m	PE	White
19S00071-30M	VG-P516BC-30M	-	30 m	30 m	PE	White
19S00071-NS-30M	VG-P516BC-NS-30M	-	30 m	30 m	Nolu-S	Light Grey







Code	Ref.				Material	
19S00081-75M	VG-PM10BC-75M	-	75 m	75 m	PE	White



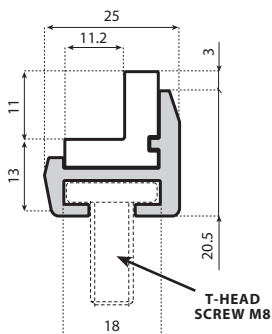
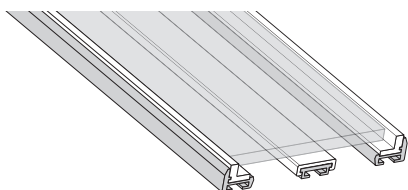
Code	Ref.				Material	
19S00068-30M	VG-P38BC-30M	-	30 m	30 m	PE	White
19S00068-75M	VG-P38BC-75M	-	75 m	75 m	PE	White
19S00068NS-75M	VG-P38BC-NS-75M	-	75 m	75 m	Nolu-S	Light Grey



Code	Ref.				Material	
19S00069-3M	VG-P38HD-3M	3 m	-	30 m	PE	White
19S00069-6M	VG-P38HD-6M	6 m	-	60 m	PE	White

SBG/BWS -SUPPORT FOR CHAIN AND BELTS

 Preferred type, readily available (codes marked in red)



SBG/BWS - SUPPORT FOR CHAIN AND BELTS

Aluminum and UHMW guide rail for use in guiding the sides and supporting the middle of modular conveyor belts. Ultra-low friction bottom and side support of belt. Easily formed into curves with the Valu Guide Rail Bending Machine. Available in 3M lengths. Minimum radius 457 mm (inside edge). Replaceable UHMW strips.



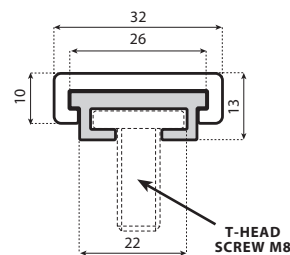
Polyethylene UHMW









Aluminum



Consult pages 105 → 109 for bending machines

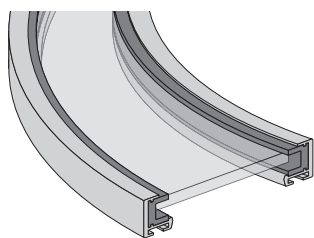





SBG Code	Ref.			Material	
19S00087-3M	VG-SBG-50-3M	3 m	30 m	Al+PE	White
Insert Replacement					
19S00080-3M	VG-PSBG-50-3M	3 m	30 m	PE	White

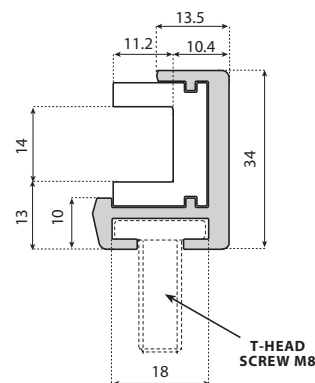
BWS Code	Ref.			Material	
19S00108-3M	VG-BWS-125-3M	3 m	30 m	Al+PE	White
Insert Replacement					
19S00083-3M	VG-PBWS-125-3M	3 m	30 m	PE	White

MBG - SUPPORT FOR CHAIN AND BELTS

Aluminum and Nolu-S guide rail for use in guiding the sides of selected plastic modular conveyor belts through turns. Ultra-low friction. Top and bottom capture of belt. Easily formed into curves with the Valu Guide Rail Bending Machine. Available in 3M lengths. Minimum radius 457 mm (inside edge). Replaceable Nolu-S strips.



MBG Code	Ref.			Material	
19S00035-3M	VG-MBG-50-NS-3M	3 m	30 m	Al+Nolu-S	Light grey
Insert Replacement					
19S00077-3M	VG-PMBG-50-NS-3M	3 m	30 m	Nolu-S	Light grey



Stainless steel



Nolu-S





Aluminum

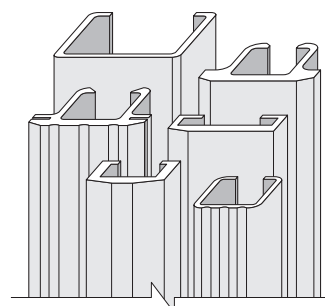


Consult pages 105 → 109 for bending machines



T-HEAD SCREW M8

Code	Ref.			Material
13S00255	VG-1568M-01	16 mm	n°10	SS
13S00256	VG-1568M-02	19 mm	n°10	
13S00258	VG-1568M-04	32 mm	n°10	



MBG -SUPPORT FOR CHAIN AND BELTS



AISI 304
Stainless steel



Polyethylene
UHMW

Preferred type, readily available (codes marked in red)



CHAIN GUIDE WEAR STRIP

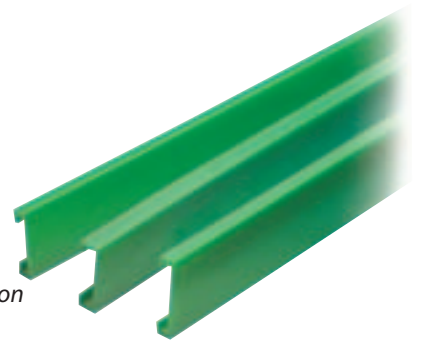
Material:

- Metal profile in stainless steel AISI 304.
- Wear strip in UHMWPE.

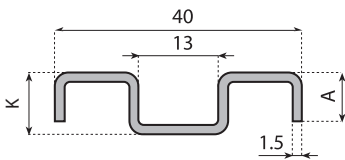
Supply:

- 3 or 6 meters.
- Steel profile and wear strip are supplied assembled.

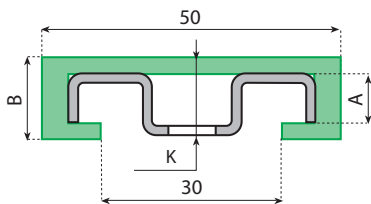
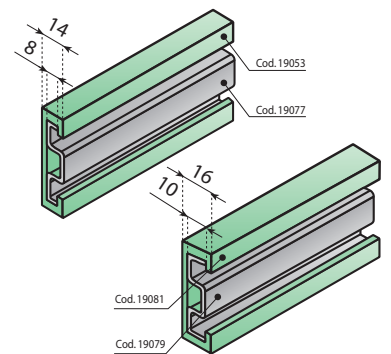
Application: the profile can be used on several conveyors as a side guide or as a chain support in combination with standard UHMWPE guides or wear strip.



M-PROFILE



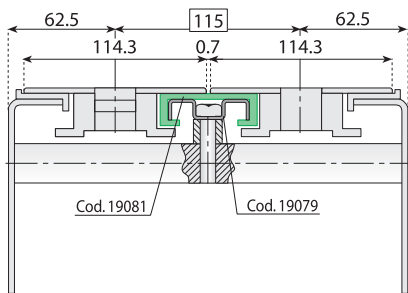
Code	A	K	Material	Length
19077	6	0.74	SS 304	3 m
19077L	6	0.74		6 m
190265	8	0.78		3 m
190265L	8	0.78		6 m
19079	10	0.82		3 m
19079L	10	0.82		6 m



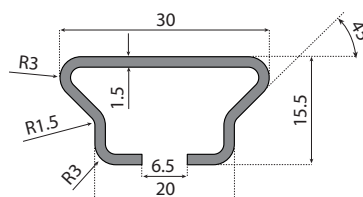
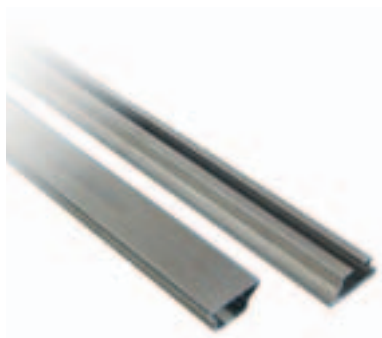
M-PROFILE WEAR STRIP

Code	Kg/m	K	L	A	B	Material	Color
190240N	0.97	12.75	3 m	6.5	12	SS 304	Black
190240NL	0.97	12.75	6 m	6.5	12		Black
190240V	0.97	12.75	3 m	6.5	12		Green
190240VL	0.97	12.75	6 m	6.5	12		Green
190241N	1.03	10.75	3 m	8.5	14		Black
190241NL	1.03	10.75	6 m	8.5	14		Black
190241V	1.03	10.75	3 m	8.5	14	PE	Green
190241VL	1.03	10.75	6 m	8.5	14		Green
190242N	1.09	12.75	3 m	10.5	16		Black
190242NL	1.09	12.75	6 m	10.5	16		Black
190242V	1.09	12.75	3 m	10.5	16		Green
190242VL	1.09	12.75	6 m	10.5	16		Green

Notes: screws are not included.



CONSTRUCTION PROFILE FOR WEARSTRIPS



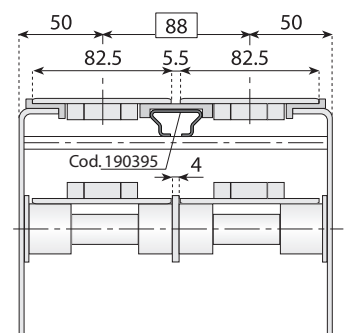
Code	Kg/m	L	Material
190395	0.76	3m	SS 430
190396		6m	



Accessories



AISI 430
Stainless steel



CHAIN MOUNTING BLOCK

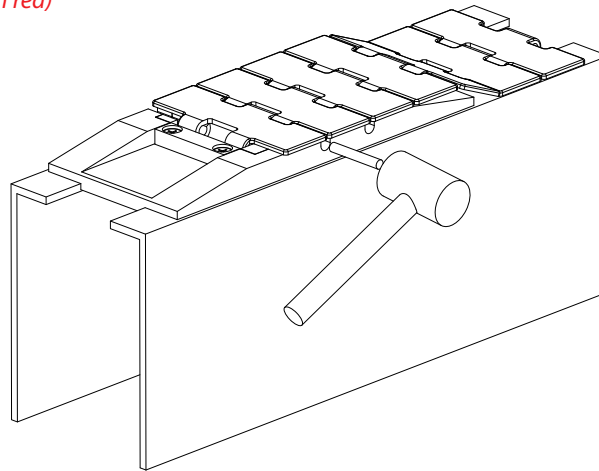
 Preferred type, readily available (codes marked in red)



Aluminum



Hardened Steel



CHAIN MOUNTING BLOCK

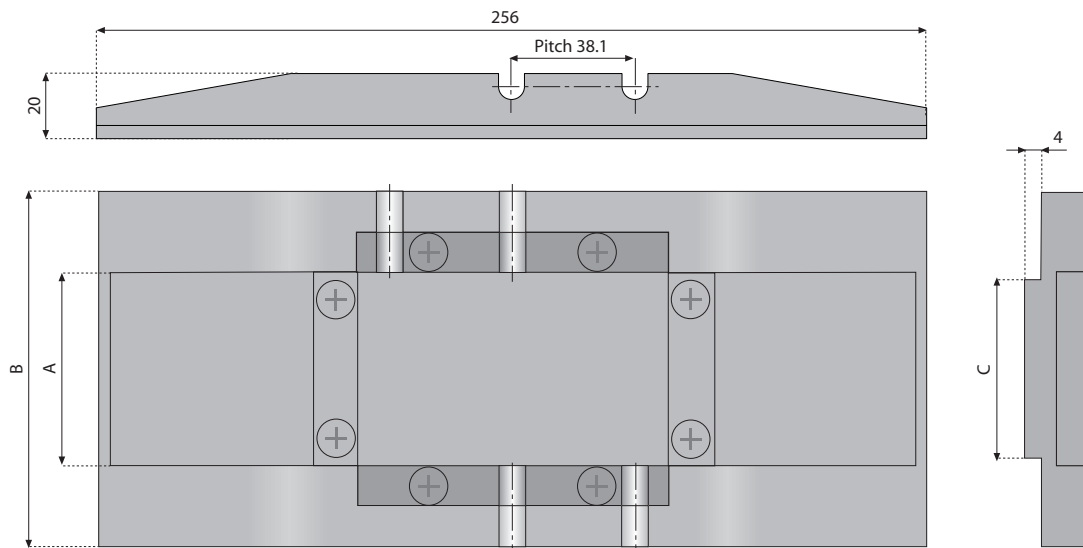
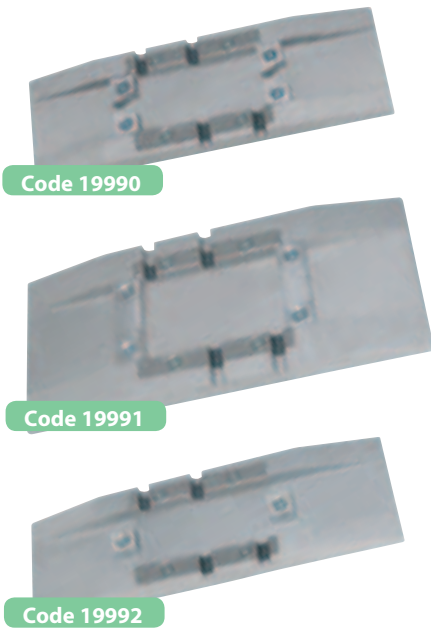
Technical features:

- The chain mounting block is a tool that makes chain assembly and disassembly easier. It is made for steel and plastic chains with single hinge and with heavy duty hinge. The block fits between the wearstrips of the conveyor.

Material:

Base: Aluminum

Adapter parts: hardened steel



Code	A	B	C	FOR CHAIN TYPE
19990	45	80	40	Steel single hinge chains, straight running and side flexing magnetic and plastic chains straight running, 820 series.
19991	60	110	55	Steel chains with Heavy Duty hinge, 8157 (VG) and 8857M.
19992	45	80	40	Plastic chains straight running 828 series and sideflexing 879 and 880 series magnetic.

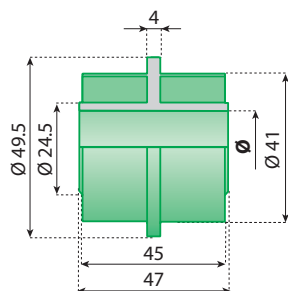
Note: not suitable for TAB or bevel chains



Chain return components

CHAIN RETURN COMPONENTS

 Preferred type, readily available (codes marked in red)



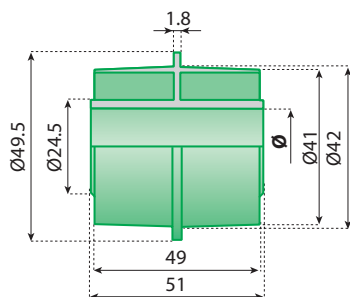
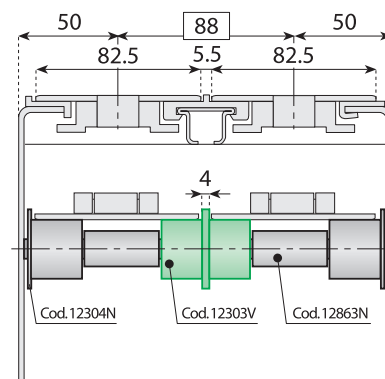
External diameter



Polyethylene High Density Self-lubricating

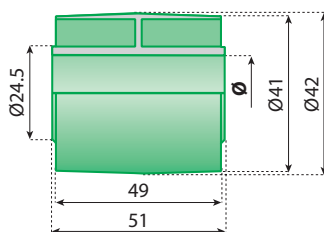
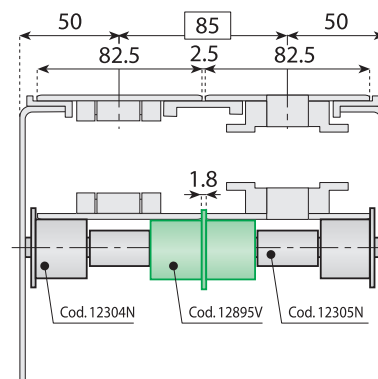
ROLLER

Code	For rod Ø (mm)		Material
12303V	12		Green
12303N	12		Black
12307V	16		Green
12307N	16	n°100	Black
12815V	18		Green
12815N	18		Black
12820V	20		Green
12820N	20		Black



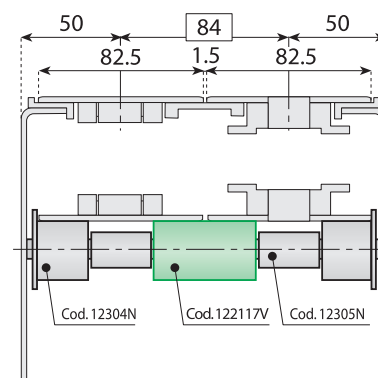
ROLLER

Code	For rod Ø (mm)		Material
12895V	12		Green
12895N	12		Black
12896V	16		Green
12896N	16	n°100	Black
12897V	18		Green
12897N	18		Black
12862V	20		Green
12862N	20		Black



ROLLER

Code	For rod Ø (mm)		Material
122117V	12		Green
122117N	12		Black
122118V	16		Green
122118N	16	n°100	Black
122119V	18		Green
122119N	18		Black
122120V	20		Green
122120N	20		Black



CHAIN RETURN COMPONENTS

 Preferred type, readily available (codes marked in red)



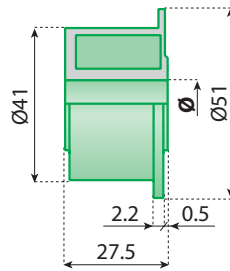
External diameter



Polyethylene
High Density
Self-lubricating

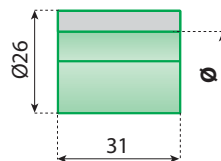
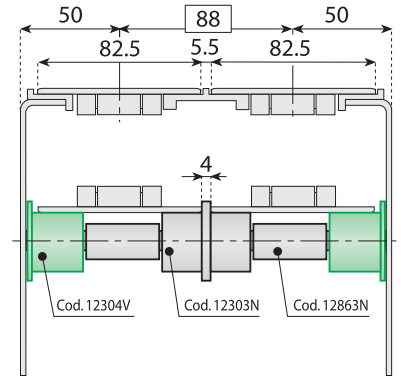


Polyamide
Self-lubricating



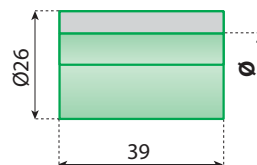
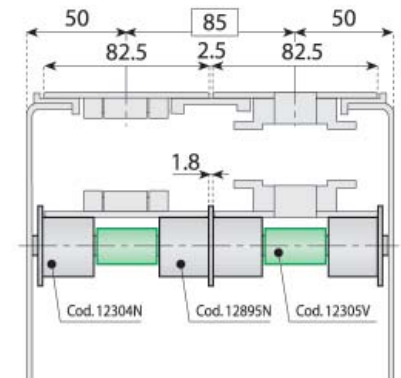
ROLLER

Code	For rod Ø (mm)	Material	
12304V	12	n°100 PE(HD)	Green
12304N	12		Black
12827V	16		Green
12827N	16		Black
12821V	18		Green
12821N	18		Black
12822V	20		Green
12822N	20		Black



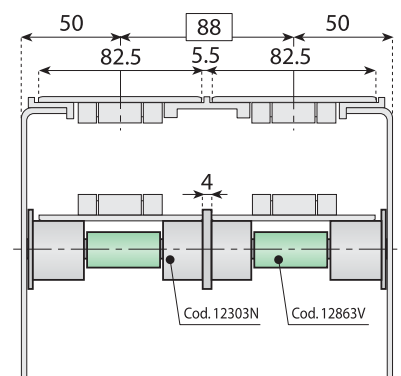
SPACER

Code	For rod Ø (mm)	Material	
12305V	12	n°100 PA	Green
12305N	12		Black
12828V	16		Green
12828N	16		Black
12823V	18		Green
12823N	18		Black
12824V	20		Green
12824N	20		Black



SPACER

Code	For rod Ø (mm)	Material	
12863V	12	n°100 PA	Green
12863N	12		Black
12864V	16		Green
12864N	16		Black
12860V	18		Green
12860N	18		Black
12861V	20		Green
12861N	20		Black



CHAIN RETURN COMPONENTS

 Preferred type, readily available (codes marked in red)



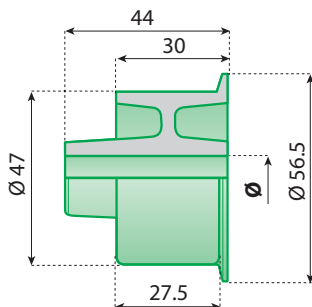
External diameter



External diameter



Polyethylene
High Density
Self-lubricating



ROLLER

Code

12850



12



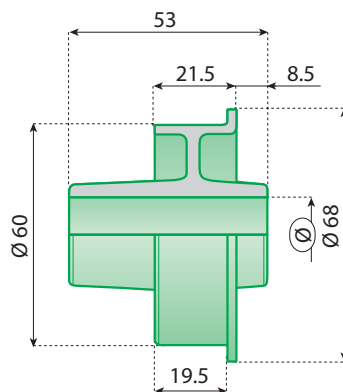
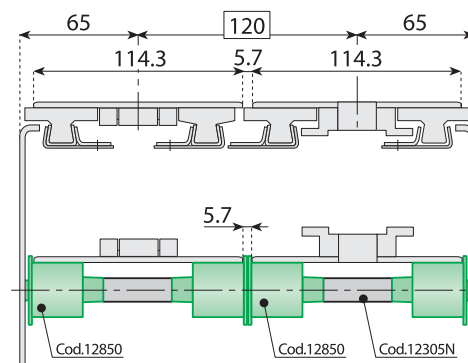
n°100



PE(HD)



Green



ROLLER

Code

122110

122109

122108

12855



15

16

18

20



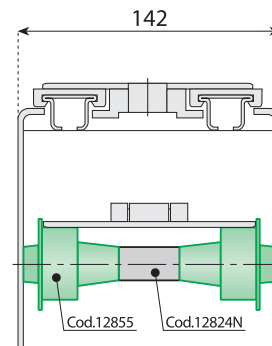
n°100



PE(HD)



Green



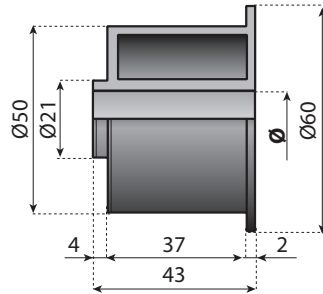
 Preferred type, readily available (codes marked in red)



External diameter



Polyethylene
High Density
Self-lubricating



ROLLER

Code
12898



For rod
Ø
(mm)

15



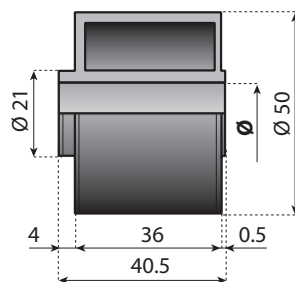
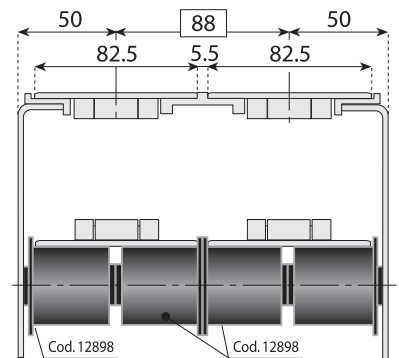
n°100



Material
PE(HD)



Black



ROLLER

Code
12899



For rod
Ø
(mm)

15



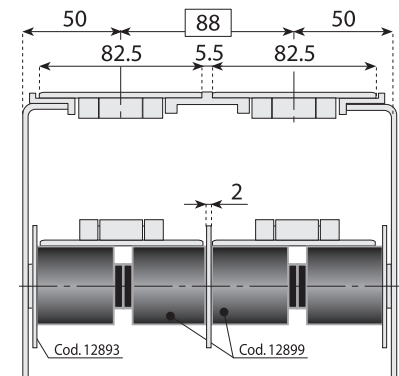
n°100



Material
PE(HD)



Black



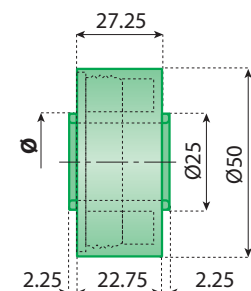
CHAIN RETURN COMPONENTS

 Preferred type, readily available (codes marked in red)

WATERTIGHT ROLLER

Characteristics:

- Very low friction coefficient.
- No liquid absorption.
- Excellent wear and chemical resistance.
- Completely closed structure, easier to clean and disinfect.
- Watertight.



WATERTIGHT ROLLER

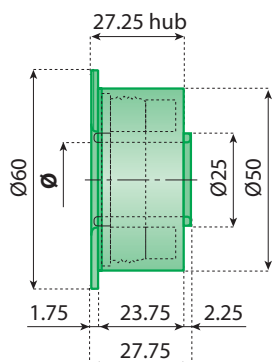
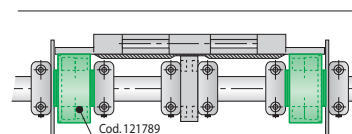
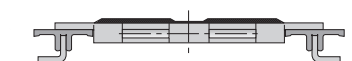
Code	For rod Ø (mm)		Material	
121959	15			
121960	16	n°100	PE(HD)	Green
121789	18			
121787	20			

PE HD
Polyethylene High Density
Self-lubricating

PP
Polyethylene
UHMW

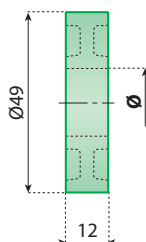
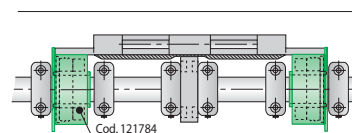
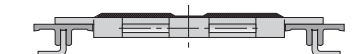
Ø 50

External diameter



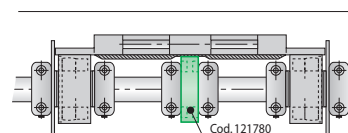
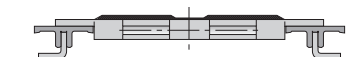
WATERTIGHT ROLLER WITH SIDE BORDER

Code	For rod Ø (mm)		Material	
121959F	15			
121960F	16	n°100	PE(HD)	Green
121784	18			
121785	20			



ROLLER

Code	For rod Ø (mm)		Material	
121780	15			
121781	16	n°100	PP	Green
121782	18			
121783	20			



 Preferred type, readily available (codes marked in red)

WATERTIGHT ROLLER WITH RUBBER

Characteristics:

- Reduced noise level with rubber
- Very low friction coefficient.
- No liquid absorption.
- Excellent wear and chemical resistance.
- Completely closed structure, easier to clean and disinfect.
- Watertight.



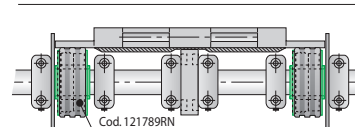
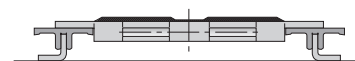
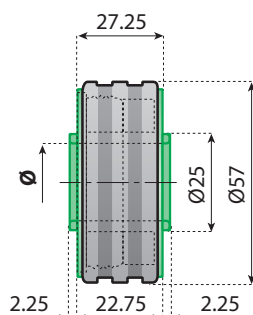
Polyethylene High Density
Self-lubricating



Thermoplastic rubber



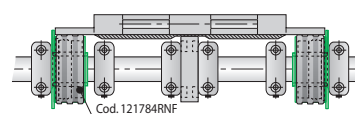
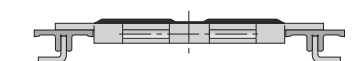
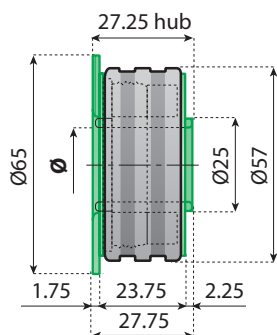
External diameter



WATERTIGHT ROLLER WITH RUBBER

Code

Code	For rod Ø (mm)		Material	
121959RN	15		PE(HD)	Green Roller
121960RN	16	n°100	TPR	Grey Rubber
121789RN	18			
121787RN	20			



WATERTIGHT ROLLER WITH SIDE BORDER AND RUBBER

Code

Code	For rod Ø (mm)		Material	
121959RNF	15		PE(HD)	Green Roller
121960RNF	16	n°100	TPR	Grey Rubber
121784RNF	18			
121785RNF	20			

CHAIN RETURN COMPONENTS

 Preferred type, readily available (codes marked in red)



Polyethylene High Density
Self-lubricating

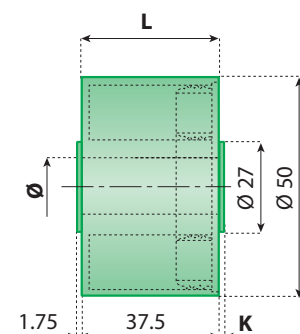


External diameter

WATERTIGHT ROLLER

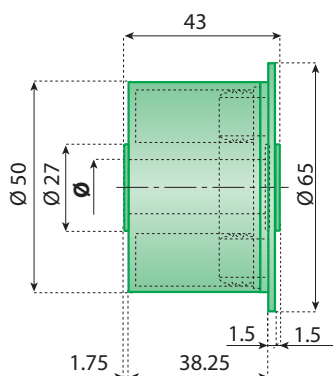
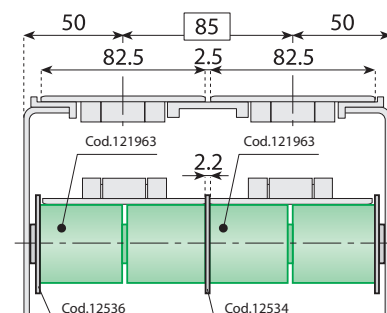
Characteristics:

- Very low friction coefficient.
- No liquid absorption.
- Excellent wear and chemical resistance.
- Completely closed structure, easier to clean and disinfect.
- Watertight.



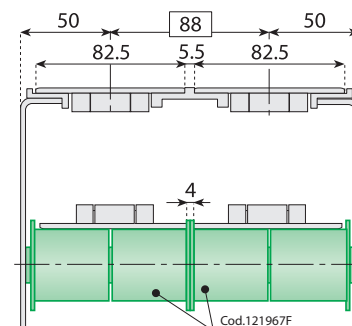
WATERTIGHT ROLLER

Code	For rod Ø (mm)	L	K		Material	
121963	15	41	1.75	n°100	PE(HD)	Green
121967	15	43	3.75			
121964	16	41	1.75			
121968	16	43	3.75			
121965	18	41	1.75			
121969	18	43	3.75			
121966	20	41	1.75			
121970	20	43	3.75			



WATERTIGHT ROLLER WITH SIDE BORDER

Code	For rod Ø (mm)		Material	
121967F	15	n°100	PE(HD)	Green
121968F	16			
121969F	18			
121970F	20			



 Preferred type, readily available (codes marked in red)

WATERTIGHT ROLLER WITH RUBBER

Characteristics:

- Reduced noise level with rubber
- Very low friction coefficient.
- No liquid absorption.
- Excellent wear and chemical resistance.
- Completely closed structure, easier to clean and disinfect.
- Watertight.



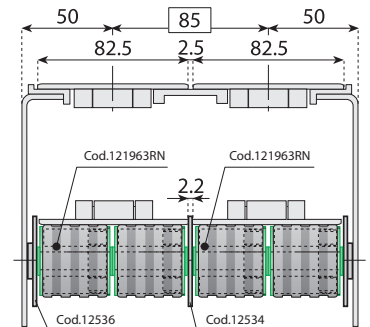
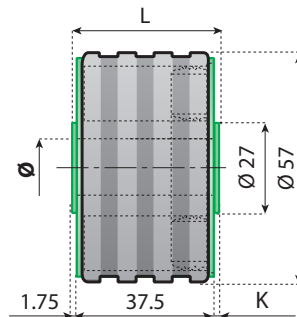
Polyethylene High Density
Self-lubricating





Thermoplastic rubber

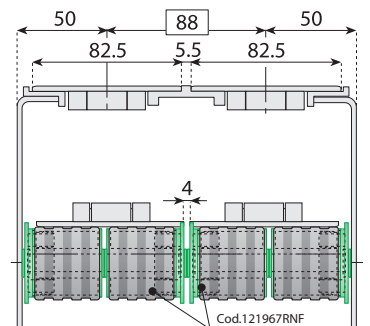
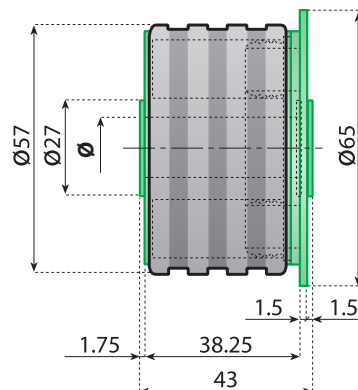


External diameter





WATERTIGHT ROLLER WITH RUBBER

Code	For rod Ø (mm)	L	K		Material	
121963RN	15	41	1.75	n°100	PE(HD) TPR	Green Roller Grey Rubber
121967RN	15	43	3.75			
121964RN	16	41	1.75			
121968RN	16	43	3.75			
121965RN	18	41	1.75			
121969RN	18	43	3.75			
121966RN	20	41	1.75			
121970RN	20	43	3.75			



WATERTIGHT ROLLER WITH SIDE BORDER AND RUBBER

Code	For rod Ø (mm)		Material	
121967RNF	15	n°100	PE(HD) TPR	Green Roller Grey Rubber
121968RNF	16			
121969RNF	18			
121970RNF	20			

CHAIN RETURN COMPONENTS

 Preferred type, readily available (codes marked in red)

WATERTIGHT ROLLER

Characteristics:

- Very low friction coefficient.
- No liquid absorption.
- Excellent wear and chemical resistance.
- Completely closed structure, easier to clean and disinfect.
- Watertight.



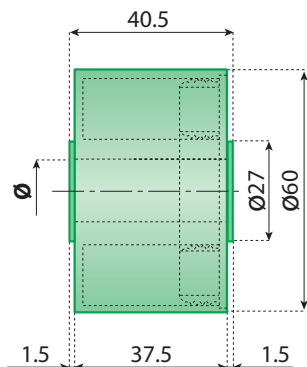
Polyethylene High Density
Self-lubricating



Thermoplastic rubber

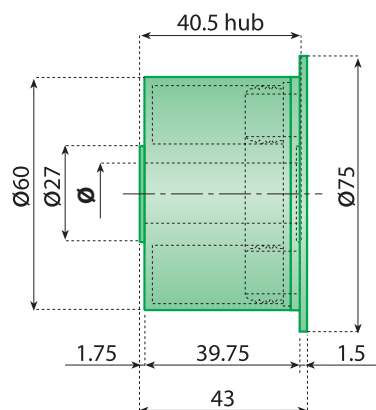
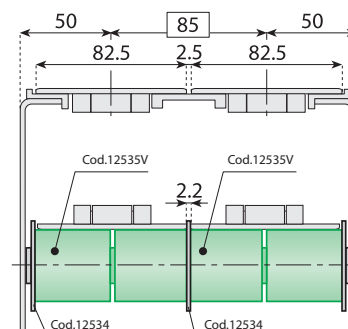


External diameter



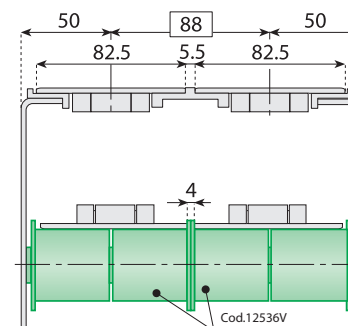
WATERTIGHT ROLLER

Code	For rod Ø (mm)		Material	
122113N	15	n°100	PE(HD)	Black
122113V	15			Green
122112N	16			Black
122112V	16			Green
122111N	18			Black
122111V	18			Green
12535N	20			Black
12535V	20			Green



WATERTIGHT ROLLER WITH SIDE BORDER

Code	For rod Ø (mm)		Material	
122116N	15	n°100	PE(HD)	Black
122116V	15			Green
122115N	16			Black
122115V	16			Green
122114N	18			Black
122114V	18			Green
12536N	20			Black
12536V	20			Green



 Preferred type, readily available (codes marked in red)

WATERTIGHT ROLLER WITH RUBBER

Characteristics:

- Reduced noise level with rubber
- Very low friction coefficient.
- No liquid absorption.
- Excellent wear and chemical resistance.
- Completely closed structure, easier to clean and disinfect.
- Watertight.



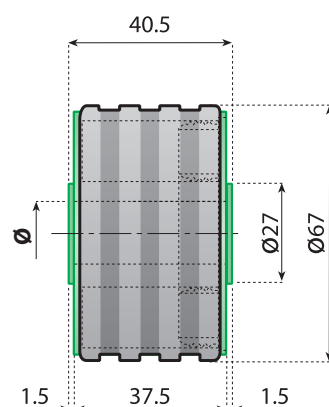
Polyethylene High Density
Self-lubricating





Thermoplastic rubber

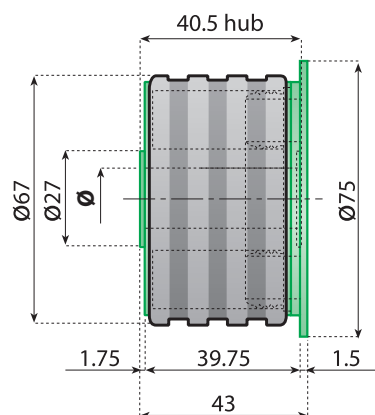
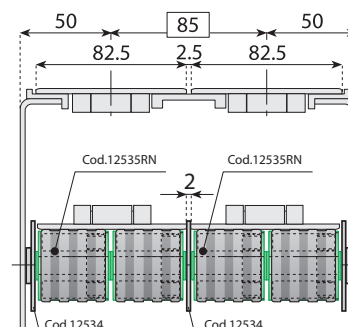


External diameter





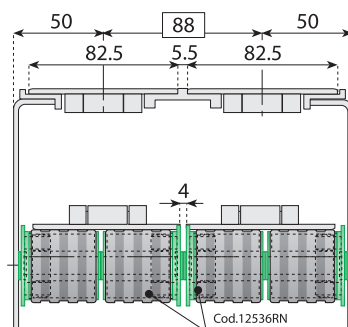
WATERTIGHT ROLLER WITH RUBBER

Code	For rod Ø (mm)		Material	
122113RN	15		PE(HD)	Green Roller
122112RN	16	n°100	TPR	Grey Rubber
122111RN	18			
12535RN	20			



WATERTIGHT ROLLER WITH SIDE BORDER AND RUBBER

Code	For rod Ø (mm)		Material	
122116RN	15		PE(HD)	Green Roller
122115RN	16	n°100	TPR	Grey Rubber
122114RN	18			
12536RN	20			



CHAIN RETURN COMPONENTS

 Preferred type, readily available (codes marked in red)

WATERTIGHT ROLLER

Characteristics:

- Very low friction coefficient
- No liquid absorption
- Excellent wear and chemical resistance
- Completely closed structure, easier to clean and disinfect
- Watertight



Polyethylene
High Density
Self-lubricating



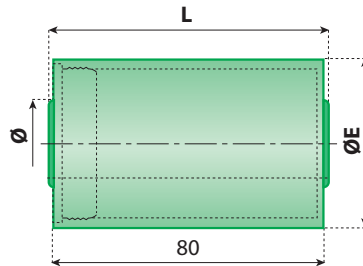
External diameter



External diameter

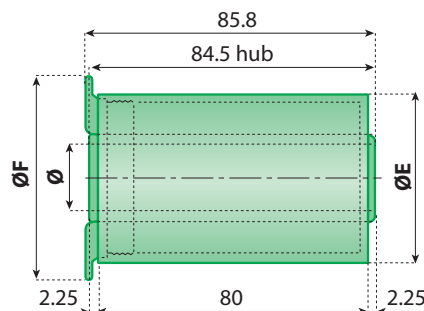
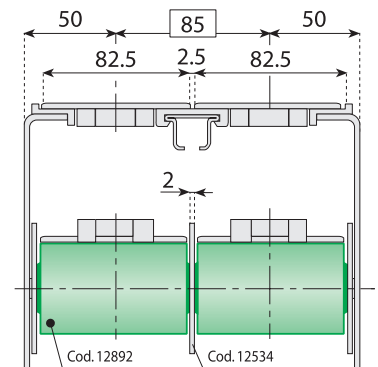


External diameter



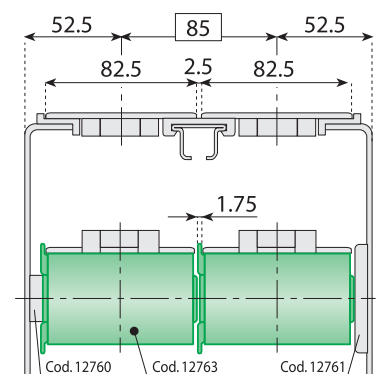
WATERTIGHT ROLLER

Code	For rod Ø (mm)	L	ØE		Material	
121950	16	82.5	40	n°50	PE(HD)	Green
121953		84.5	40			
121951		82.5	50			
121954		84.5	50			
121952		82.5	60			
121955	84.5	60				
121551	18	82.5	40	n°50	PE(HD)	Green
121547		84.5	40			
12831		82.5	50			
121595		84.5	50			
12835		82.5	60			
121548	84.5	60				
121552	20	82.5	40	n°50	PE(HD)	Green
121549		84.5	40			
12892		82.5	50			
12762		84.5	50			
12836		82.5	60			
121550	84.5	60				



WATERTIGHT ROLLER WITH SIDE BORDER

Code	For rod Ø (mm)	ØE	ØF		Material	
121956	16	40	55	n°50	PE(HD)	Green
121957		50	65			
121958		60	75			
121553	18	40	55	n°50	PE(HD)	Green
12833		50	65			
12837		60	75			
121554	20	40	55	n°50	PE(HD)	Green
12763		50	65			
12838		60	75			



➔ Preferred type, readily available (codes marked in red)

WATERTIGHT ROLLER WITH RUBBER

Characteristics:

- Reduced noise level
- Very low friction coefficient
- No liquid absorption
- Excellent wear and chemical resistance
- Completely closed structure, easier to clean and disinfect
- Watertight



Thermoplastic rubber



External diameter



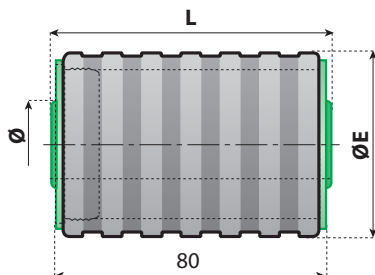
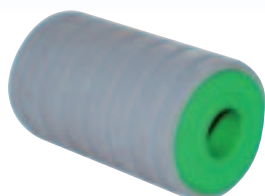
Polyethylene High Density Self-lubricating



External diameter

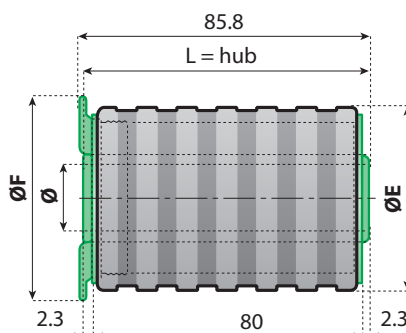
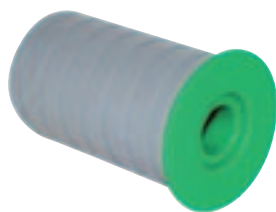
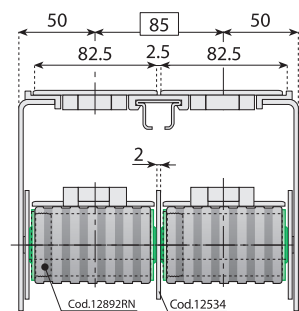


External diameter



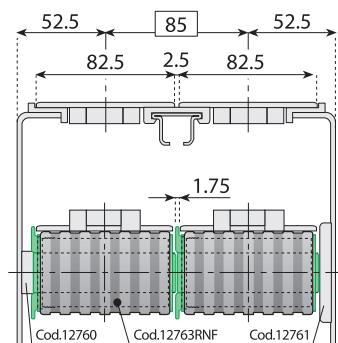
WATERTIGHT ROLLER WITH RUBBER

Code	For rod Ø (mm)	L	ØE		Material	
121950RN	16	82.5	47	n°50	PE(HD) TPR	Green Roller Grey Rubber
121953RN		84.5	47			
121951RN		82.5	57			
121954RN		84.5	57			
121952RN		82.5	67			
121955RN	84.5	67				
121551RN	18	82.5	47	n°50	PE(HD) TPR	Green Roller Grey Rubber
121547RN		84.5	47			
12831RN		82.5	57			
121595RN		84.5	57			
12835RN		82.5	67			
121548RN	84.5	67				
121552RN	20	82.5	47	n°50	PE(HD) TPR	Green Roller Grey Rubber
121549RN		84.5	47			
12892RN		82.5	57			
12762RN		84.5	57			
12836RN		82.5	67			
121550RN	84.5	67				



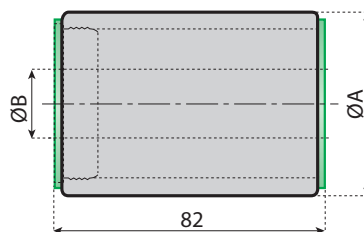
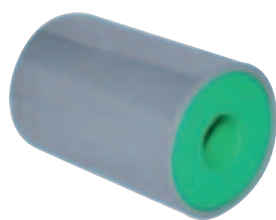
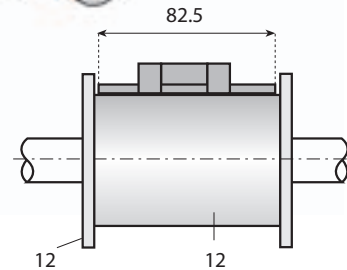
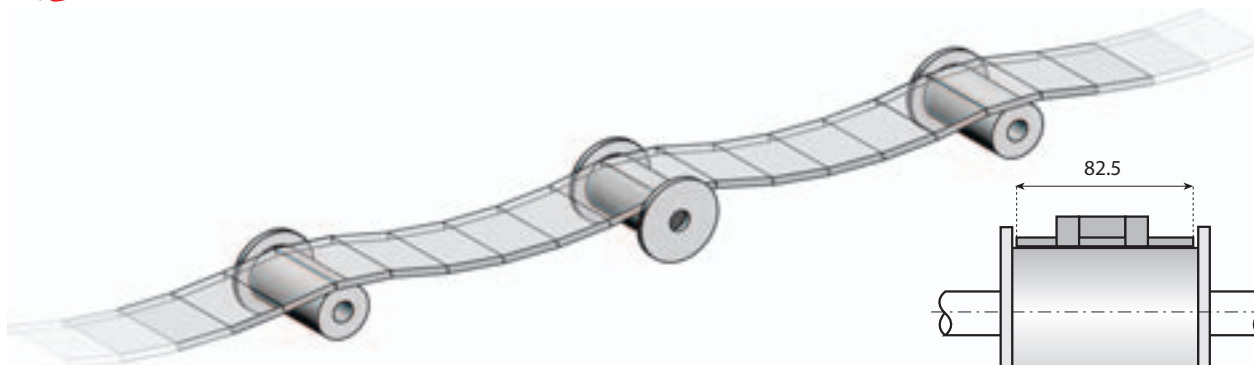
WATERTIGHT ROLLER WITH SIDE BORDER AND RUBBER

Code	For rod Ø (mm)	ØE	ØF		Material	
121956RNF	16	47	55	n°50	PE(HD) TPR	Green Roller Grey Rubber
121957RNF		57	65			
121958RNF		67	75			
121553RNF	18	47	55	n°50	PE(HD) TPR	Green Roller Grey Rubber
12833RNF		57	65			
12837RNF		67	75			
121554RNF	20	47	55	n°50	PE(HD) TPR	Green Roller Grey Rubber
12763RNF		57	65			
12838RNF		67	75			



CHAIN RETURN COMPONENTS

 Preferred type, readily available (codes marked in red)



PE

Polyethylene UHMW

PU

Polyurethane



Ø 56

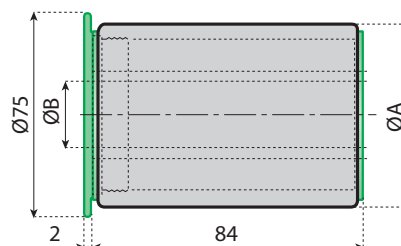
External diameter

Ø 66



External diameter

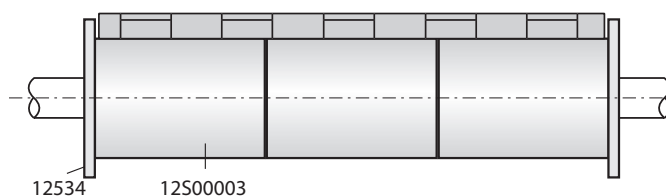
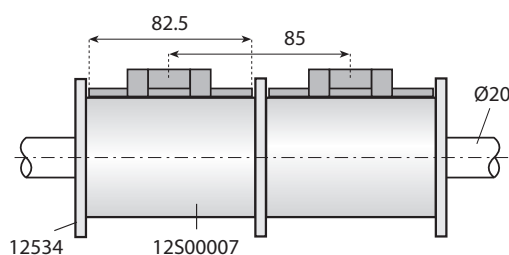
RETURN ROLLER WITH URETHANE SURFACE

Code	Ref.	ØA	ØB		Material	
12S00001	VG-R3U-185-50-G	56	18.5	n°10	PE	Green
12S00003	VG-R3U-205-50-G	56	20.5			
12S00002	VG-R3U-185-60-G	66	18.5			
12S00004	VG-R3U-205-60-G	66	20.5			



RETURN ROLLER WITH FLANGE AND URETHANE SURFACE

Code	Ref.	ØA	ØB		Material	
12S00005	VG-RF3U-185-50-G	56	18.5	n°10	PE	Green
12S00007	VG-RF3U-205-50-G	56	20.5			
12S00006	VG-RF3U-185-60-G	66	18.5			
12S00008	VG-RF3U-205-60-G	66	20.5			



CHAIN RETURN COMPONENTS

 Preferred type, readily available (codes marked in red)

LOW NOISE ROLLER

Characteristics:

- Reduced noise level.
- Very low friction coefficient.
- No liquid absorption.
- Excellent wear and chemical resistance.
- Completely closed structure, easier to clean and disinfect.
- Watertight.



External diameter

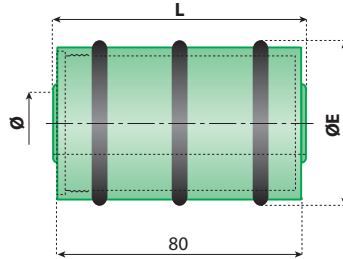


External diameter

Polyethylene
High Density
Self-lubricating

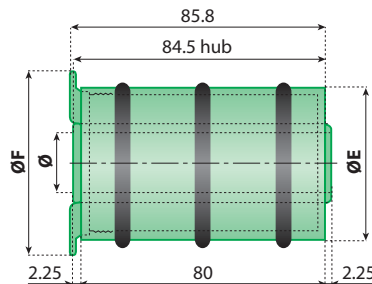
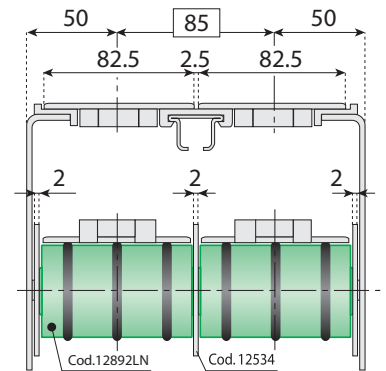


External diameter



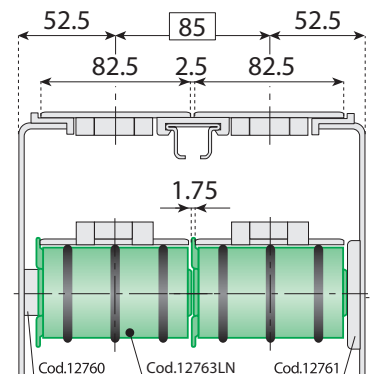
LOW NOISE ROLLER

Code	For rod Ø (mm)	L	ØE		Material	
121950LN	16	82.5	44	n°50	PE(HD) EPDM	Green Roller Black O-Ring
121953LN		84.5	44			
121951LN		82.5	54			
121954LN		84.5	54			
121952LN		82.5	64			
121955LN	84.5	64				
121551LN	18	82.5	44	n°50	PE(HD) EPDM	Green Roller Black O-Ring
121547LN		84.5	44			
12831LN		82.5	54			
121595LN		84.5	54			
12835LN		82.5	64			
121548LN	84.5	64				
121552LN	20	82.5	44	n°50	PE(HD) EPDM	Green Roller Black O-Ring
121549LN		84.5	44			
12892LN		82.5	54			
12762LN		84.5	54			
12836LN		82.5	64			
121550LN	84.5	64				



LOW NOISE ROLLER WITH SIDE BORDER

Code	For rod Ø (mm)	ØE	ØF		Material	
121956LN	16	44	55	n°50	PE(HD) EPDM	Green Roller Black O-Ring
121957LN		54	65			
121958LN		64	75			
121553LN	18	44	55	n°50	PE(HD) EPDM	Green Roller Black O-Ring
12833LN		54	65			
12837LN		64	75			
121554LN	20	44	55	n°50	PE(HD) EPDM	Green Roller Black O-Ring
12763LN		54	65			
12838LN		64	75			



CHAIN RETURN COMPONENTS

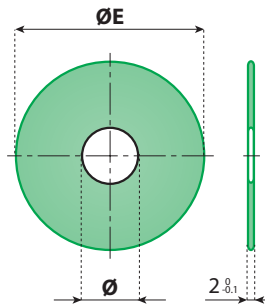
 Preferred type, readily available (codes marked in red)



GUIDE FLANGE

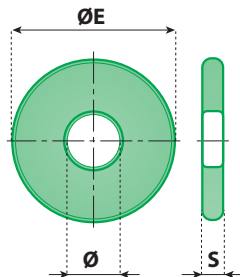
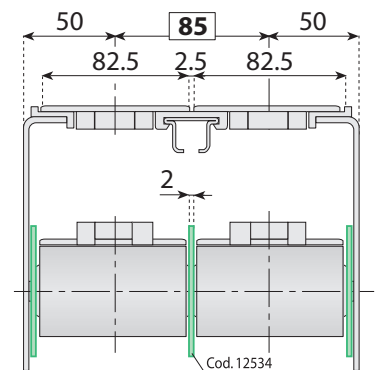
Characteristics:

- Very low friction coefficient.
- No liquid absorption.
- Excellent wear and chemical resistance.



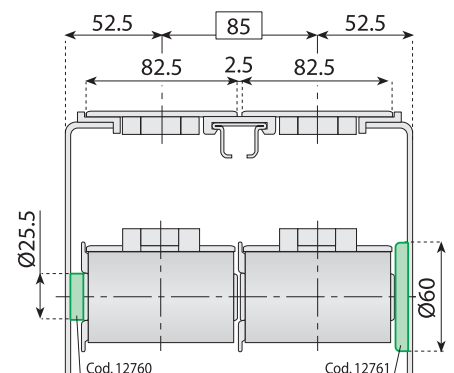
GUIDE FLANGE

Code	For rod Ø (mm)	ØE		Material	
12919	14	50	n°100	PP	Green
12847		60			
12843	16	70	n°100	PP	Green
12918		50			
12846	18	60	n°100	PP	Green
12842		70			
12849	20	50	n°100	PP	Green
12845		60			
12841	20	70	n°100	PP	Green
12826		100			
12848	20	50	n°100	PP	Green
12844		60			
12534	20	70	n°100	PP	Green
12894		100			



GUIDE FLANGE

Code	For rod Ø (mm)	ØE	S		Material	
12797	15	90	5	n°100	PP	Green
12798	20	90	5			
12760	20	25.5	7.25	n°100	PP	Green
12761	20	60	7.25			



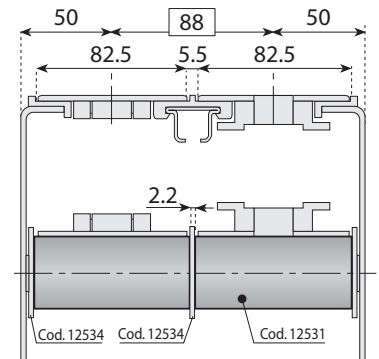
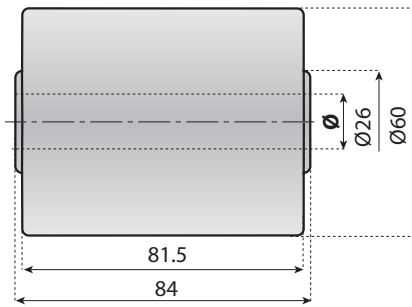
 Preferred type, readily available (codes marked in red)



Polyamide
self-lubricating

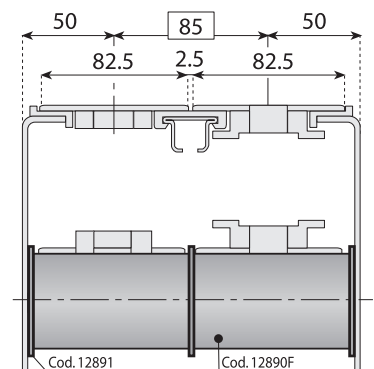
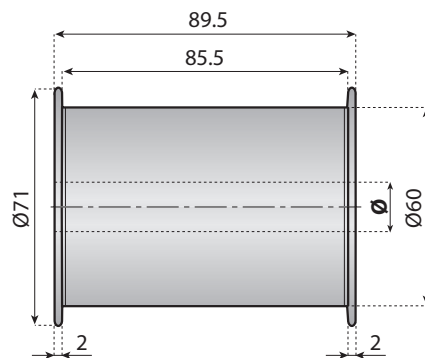


External
diameter



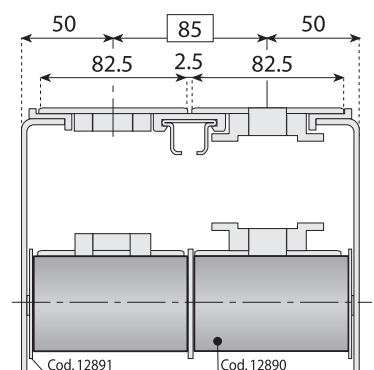
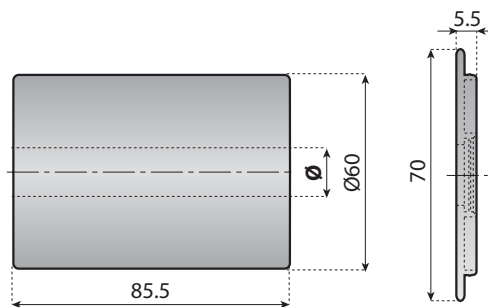
ROLLER

Code	For rod Ø (mm)		Material	
12531	14			
12532	18	n°50	PA	Black
12533	20			



ROLLER

Code	For rod Ø (mm)		Material	
12839F	12			
12890F	14	n°50	PA	Black
12840F	16			



ROLLER

Code	For rod Ø (mm)		Material	
12839	12	n°50		
12890	14	n°50	PA	Black
12840	16	n°50		
12891	Flange for roller		n°100	

CHAIN RETURN COMPONENTS SOLID ROLLER

 Preferred type, readily available (codes marked in red)



Polypropylene



External diameter



External diameter

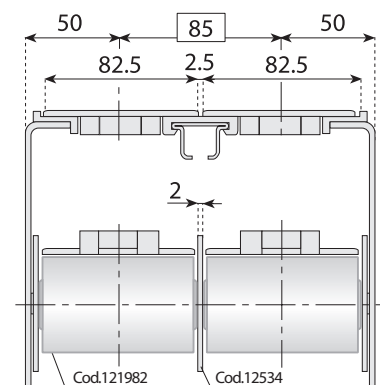
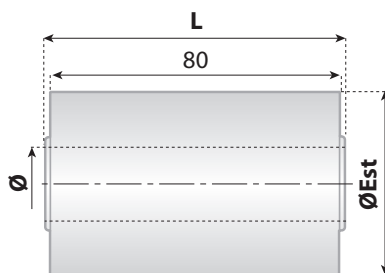


External diameter

WATERTIGHT ROLLER

Characteristics:

- Very low friction coefficient.
- No liquid absorption.
- Excellent wear and chemical resistance.
- Completely closed structure.
- Watertight.



WATERTIGHT ROLLER

Code	For rod Ø (mm)	Ø Est	L		Material	
121971		40	82.5			
121972		40	84.5			
121973	15	50	82.5	n°50	PP	Black
121974		50	84.5			
121975		60	82.5			
121976		60	84.5			
121977		40	82.5			
121978		40	84.5			
121979	16	50	82.5	n°50	PP	Black
121980		50	84.5			
121981		60	82.5			
121982		60	84.5			
121983		40	82.5			
121984		40	84.5			
121985	18	50	82.5	n°50	PP	Black
121986		50	84.5			
121987		60	82.5			
121988		60	84.5			
121989		40	82.5			
121990		40	84.5			
121991	20	50	82.5	n°50	PP	Black
121992		50	84.5			
121993		60	82.5			
121994		60	84.5			

Chemical resistant roller

CHAIN RETURN COMPONENTS SOLID ROLLER WITH RUBBER

 Preferred type, readily available (codes marked in red)

WATERTIGHT ROLLER WITH RUBBER

Characteristics:

- Reduced noise level.
- Very low friction coefficient.
- No liquid absorption.
- Excellent wear and chemical resistance.
- Completely closed structure.
- Watertight.



Polypropylene



External diameter



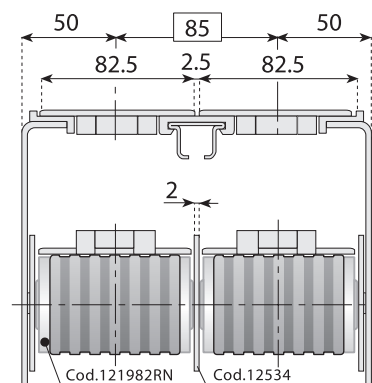
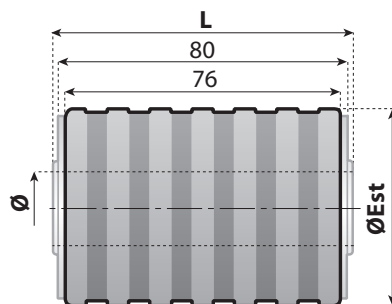
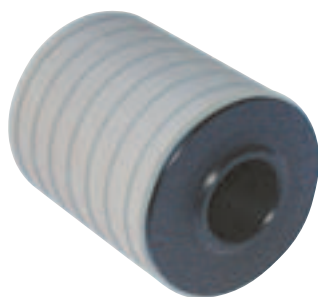
Thermoplastic rubber



External diameter



External diameter

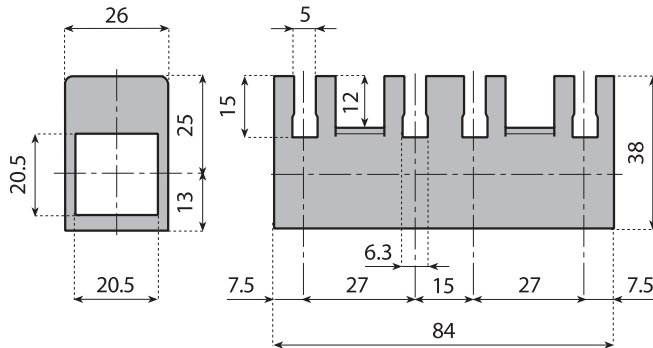


WATERTIGHT ROLLER WITH RUBBER



Code	For rod Ø (mm)	Ø Est	L		Material	
121971RN		47	82.5			
121972RN		47	84.5			
121973RN	15	57	82.5	n°50	PP	Black Roller
121974RN		57	84.5		TPR	Grey Rubber
121975RN		67	82.5			
121976RN		67	84.5			
121977RN		47	82.5			
121978RN		47	84.5			
121979RN	16	57	82.5	n°50	PP	Black Roller
121980RN		57	84.5		TPR	Grey Rubber
121981RN		67	82.5			
121982RN		67	84.5			
121983RN		47	82.5			
121984RN		47	84.5			
121985RN	18	57	82.5	n°50	PP	Black Roller
121986RN		57	84.5		TPR	Grey Rubber
121987RN		67	82.5			
121988RN		67	84.5			
121989RN		47	82.5			
121990RN		47	84.5			
121991RN	20	57	82.5	n°50	PP	Black Roller
121992RN		57	84.5		TPR	Grey Rubber
121993RN		67	82.5			
121994RN		67	84.5			

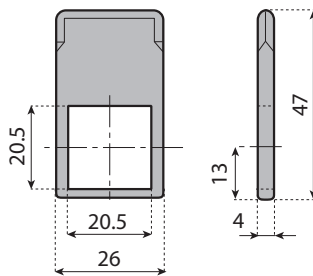
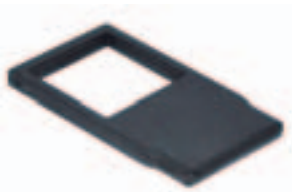
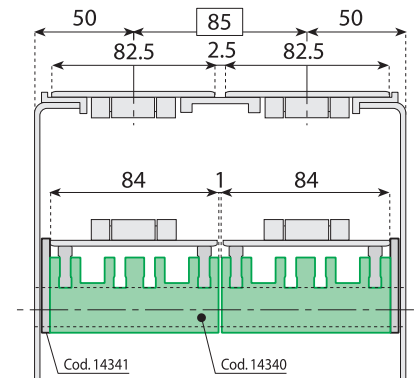
CHAIN RETURN COMPONENTS

 Preferred type, readily available (codes marked in red)





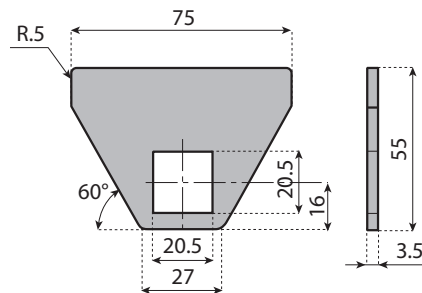
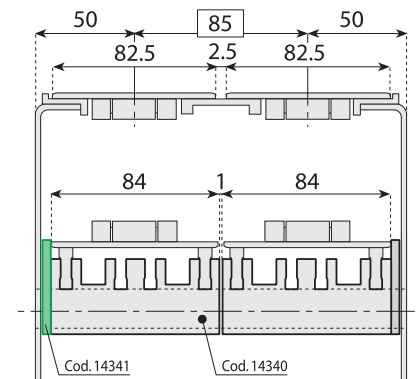
**SPACER
FOR SERPENTINE**

Code	For square shaft		Material	
14340	20 x 20	n°100	PA	Black





LITTLE WASHER

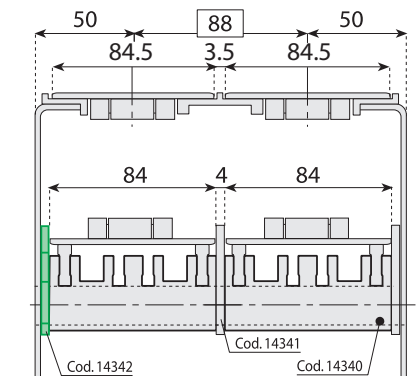
Code	For square shaft		Material	
14341	20 x 20	n°100	PA	Black



BIG WASHER

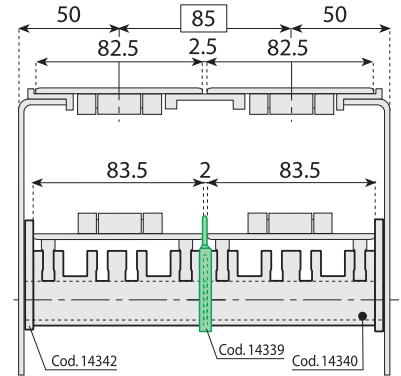
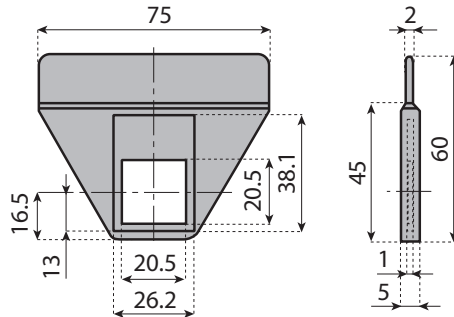
Code	For square shaft		Material	
14342	20 x 20	n°100	PA	Black

Use: 88 mm pitch.





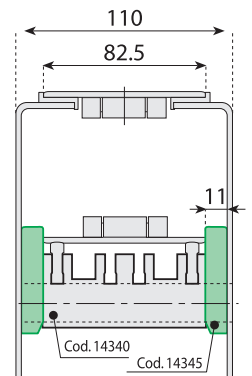
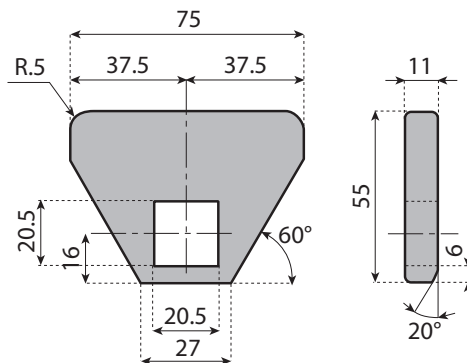
Preferred type, readily available (codes marked in red)



BIG WASHER

Code	For square shaft	n°100	PA	Black
14339	20 x 20			

Use: 85 mm pitch.



EXTRA WASHER

Code	For square shaft	n°100	PA	Black
14345	20 x 20			

CHAIN RETURN COMPONENTS

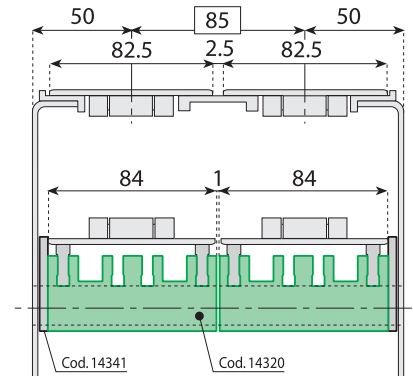
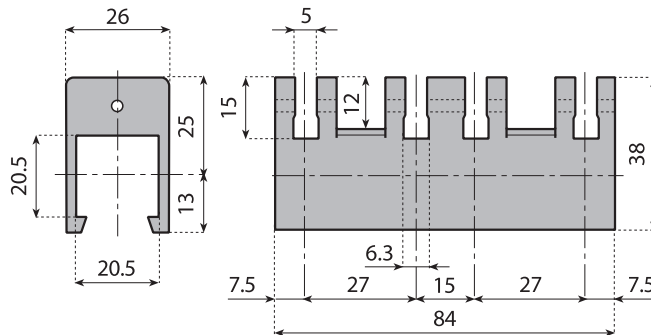
 Preferred type, readily available (codes marked in red)





Polyamide

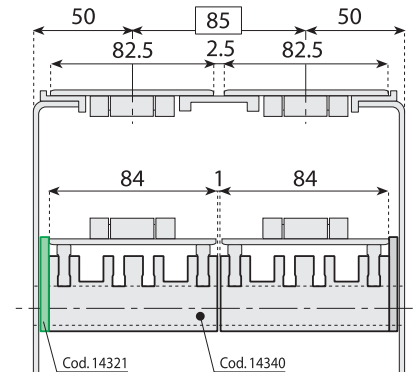
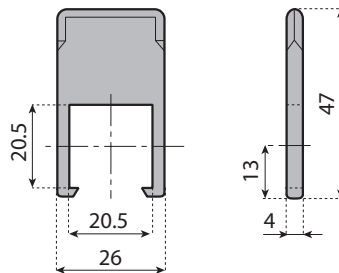


Accessories





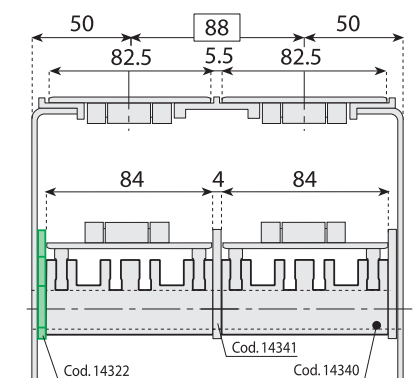
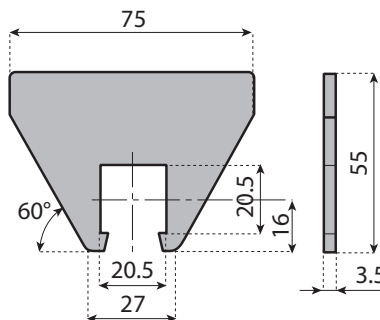
SPACER
FOR SERPENTINE
Snap-on assembly

Code	For square shaft		Material	
14320	20 x 20	n°100	PA	Black





LITTLE WASHER
Snap-on assembly

Code	For square shaft		Material	
14321	20 x 20	n°100	PA	Black



BIG WASHER
Snap-on assembly

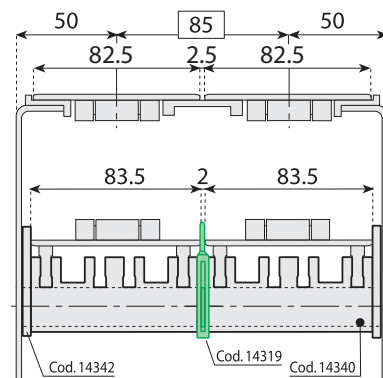
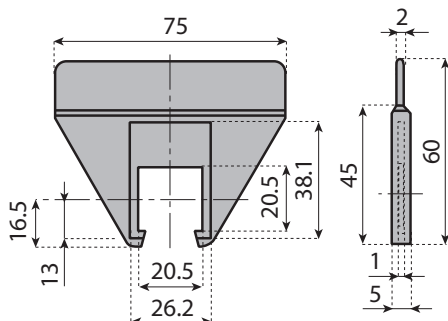
Code	For square shaft		Material	
14322	20 x 20	n°100	PA	Black

Use: 88 mm pitch.



Polyamide

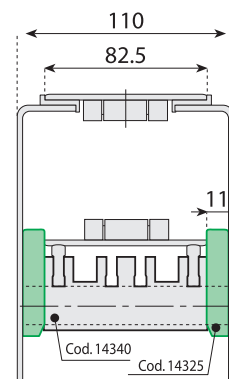
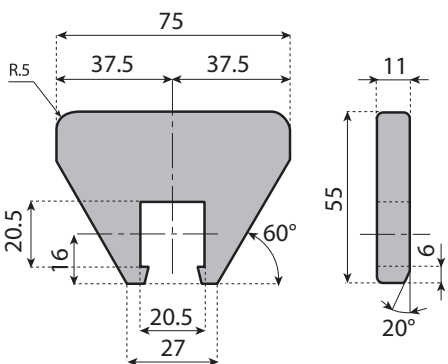
Preferred type, readily available (codes marked in red)



BIG WASHER
Snap-on assembly

Code	For square shaft	n°100	PA	Black
14319	20 x 20			

Use: 85 mm pitch.



EXTRA WASHER
Snap-on assembly

Code	For square shaft	n°100	PA	Black
14325	20 x 20			

CHAIN RETURN COMPONENTS

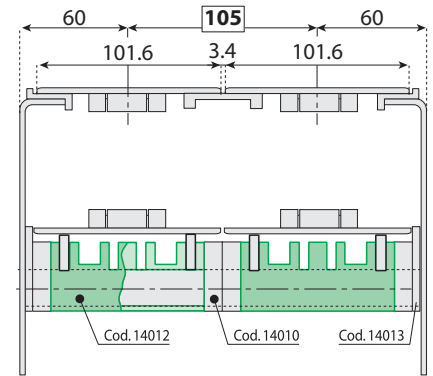
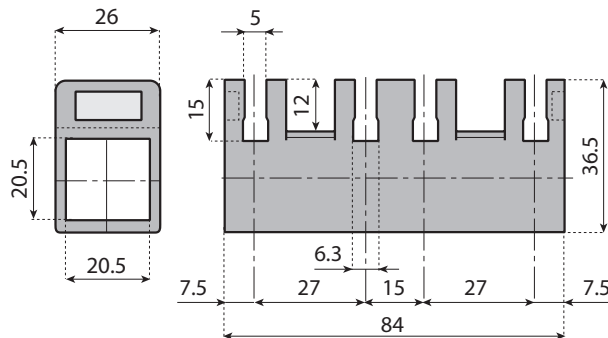
 Preferred type, readily available (codes marked in red)





Polyamide



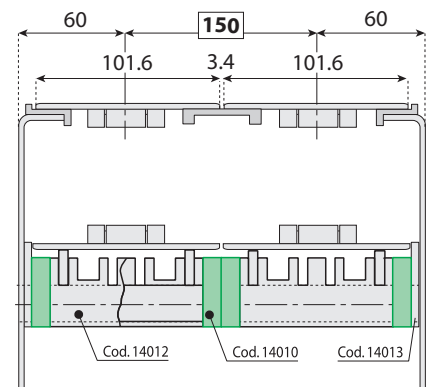
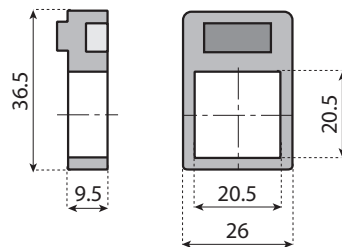
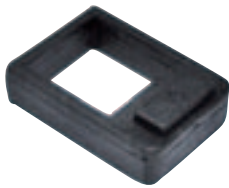
Accessories





SPACER FOR SERPENTINE

Code	For square shaft		Material	
14012	20 x 20	n°100	PA	Black

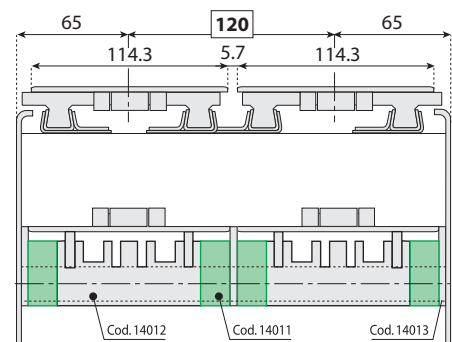
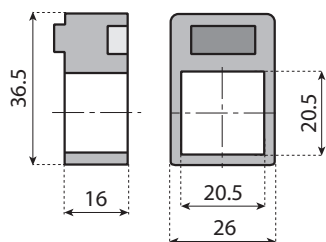
Use: in combination with codes 14010 - 14011 - 14013 - 14014.





WASHER

Code	For square shaft		Material	
14010	20 x 20	n°100	PA	Black

Use: chain return width K 400 (101,6 mm).



BIG WASHER

Code	For square shaft		Material	
14011	20 x 20	n°100	PA	Black

Use: chain return width K450 (114,3 mm).

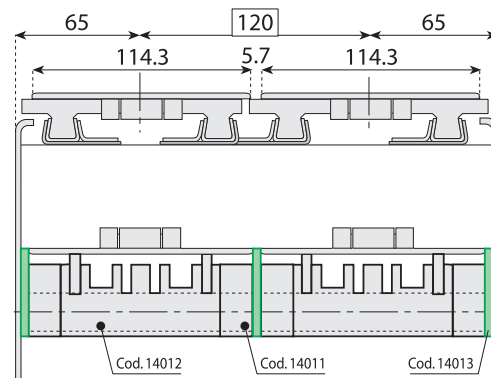
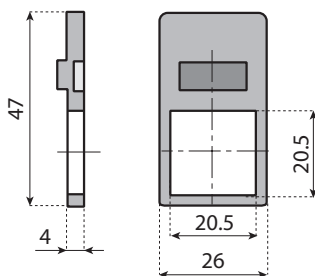
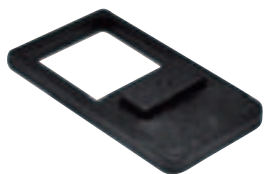
 Preferred type, readily available (codes marked in red)



Polyamide

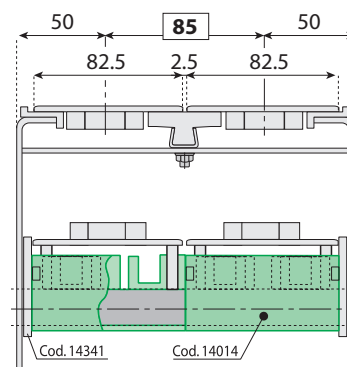
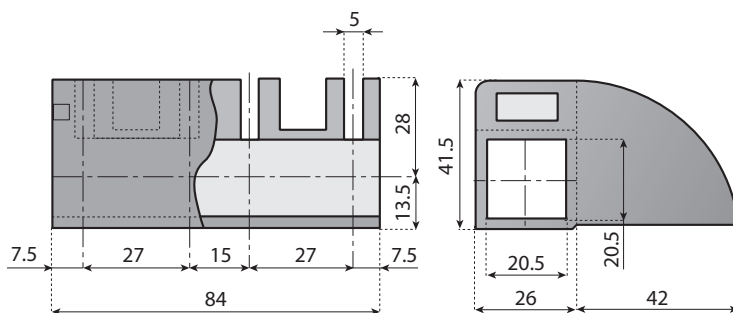


Polyethylene
UHMW



SIDE SPACER

Code	For square shaft	n°100	Material	Color
14013	20 x 20	n°100	PA	Black



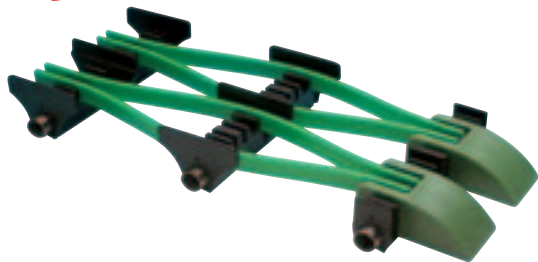
SLIDING SHOE

Code	For square shaft	n°100	Material	Color
14014	20 x 20	n°100	PE	Black

Notes: this part can be installed with codes 14010 - 14011 - 14012 - 14013.

CHAIN RETURN COMPONENTS

 Preferred type, readily available (codes marked in red)



The new design is reliable, economic and easily installed. It reduces the installation time, assures a uniform alignment, a smooth level surface, increases chain life by reducing wear and chain pulsation.

Notes: use with rod \varnothing 20 mm.

Features: use with steel or plastic chains and with modular belts.

No length limitations.

Rapid installation.

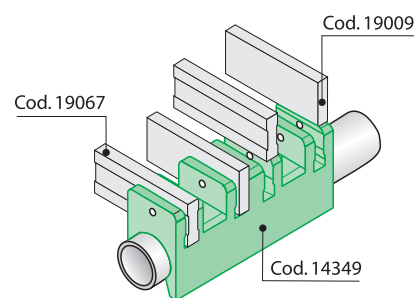
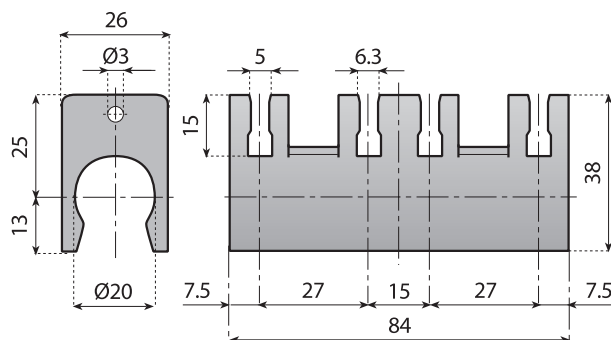
No maintenance required.



Polyamide



Accessories



SPACER FOR SERPENTINE
Snap-on assembly

Code

14349



20



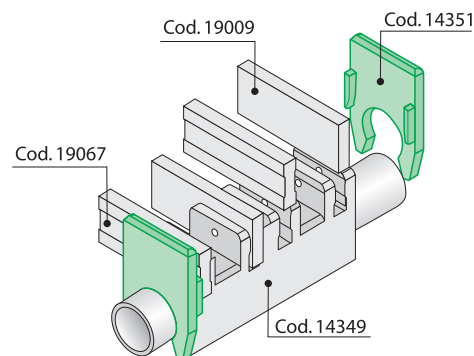
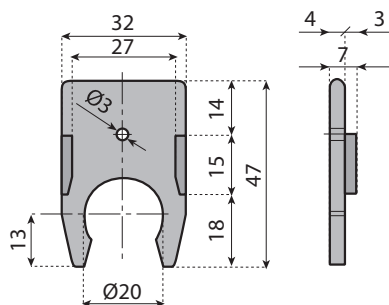
n°100



PA
(Reinforced)



Black



SIDE SPACER
Snap-on assembly

Code

14351



20



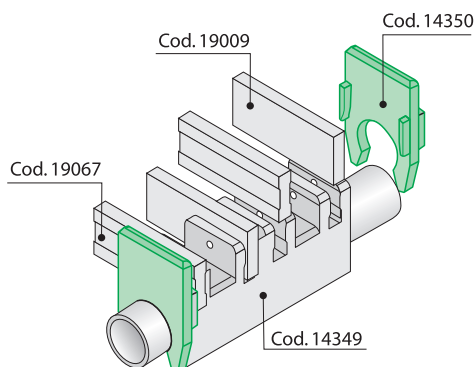
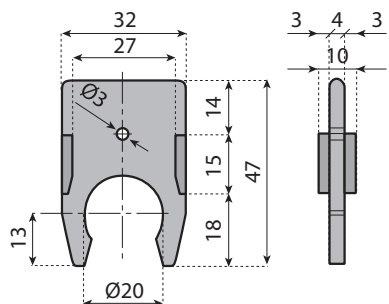
n°100



PA



Black



MIDDLE SPACER
Snap-on assembly

Code

14350



20



n°100



PA

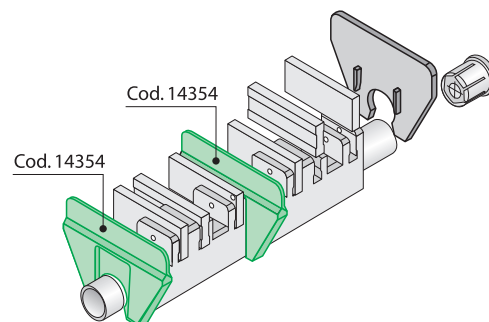
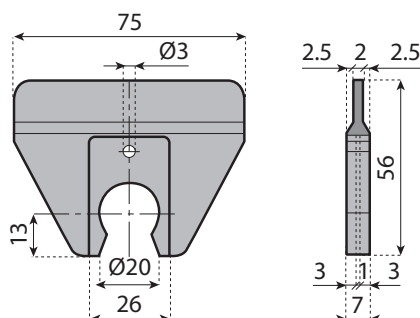


Black

 Preferred type, readily available (codes marked in red)



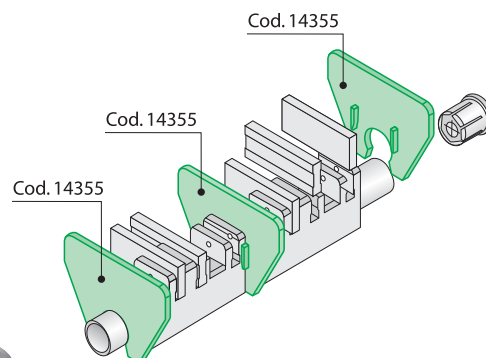
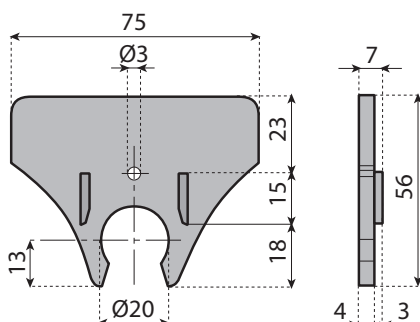
Polyamide



MIDDLE SPACER Pitch 85 mm
Snap-on assembly

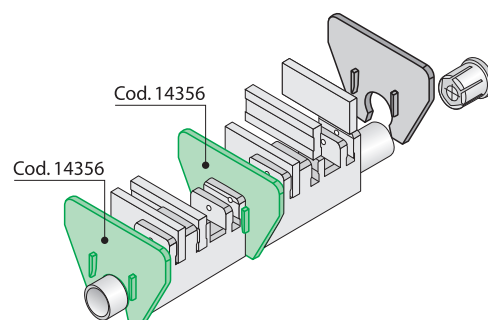
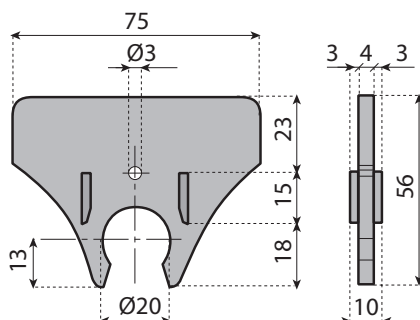
Code	For rod Ø (mm)	Quantity	Material	Color
14354	20	n°100	PA	Black

Use: in connection with code 14349.



SIDE SPACER Pitch 88 mm
Snap-on assembly

Code	For rod Ø (mm)	Quantity	Material	Color
14355	20	n°100	PA	Black

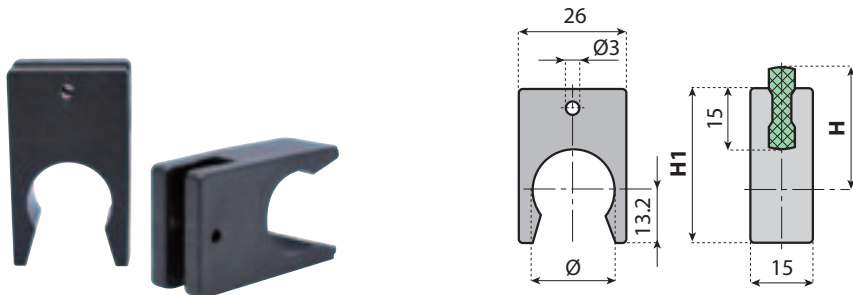


MIDDLE SPACER Pitch 88 mm
Snap-on assembly

Code	For rod Ø (mm)	Quantity	Material	Color
14356	20	n°100	PA	Black

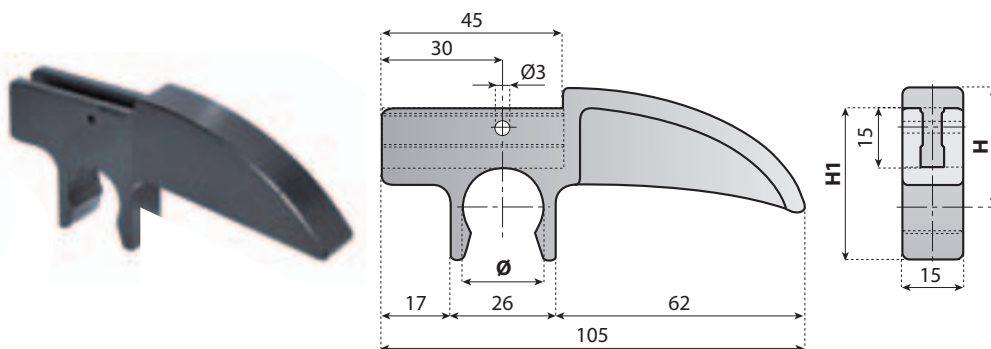
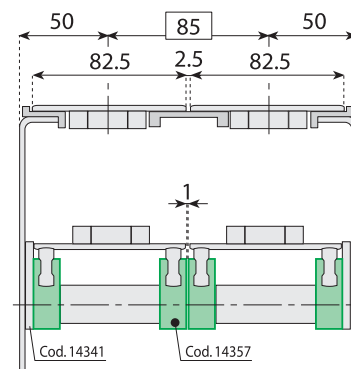
CHAIN RETURN COMPONENTS

 Preferred type, readily available (codes marked in red)



SINGLE SPACER
Snap-on assembly

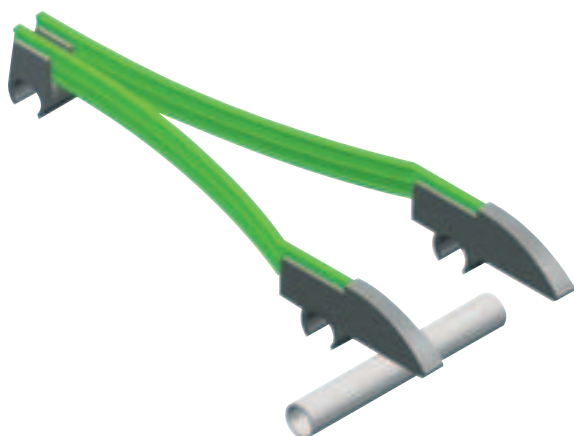
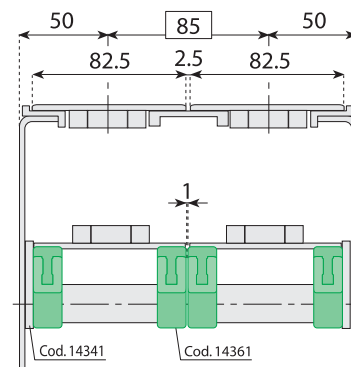
Code	For rod Ø (mm)	H	H1	Material	Color	
14357	18	34	42.5	n°100	PA	Black
14358	20	30	38			



SHOE WEAR STRIP
Snap-on assembly

Code	For rod Ø (mm)	H	H1	Material	Color	
14361	18	34	42.5	n°50	PE	Black
14362	20	30	38			

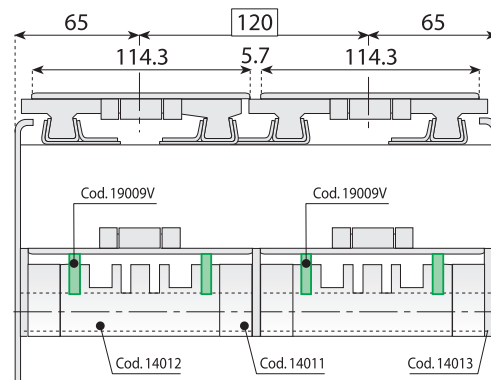
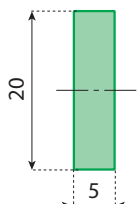
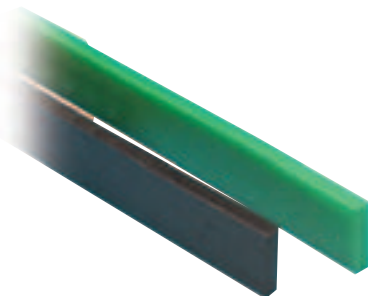
Use: wear strip code 19067N - 19067V.



 Preferred type, readily available (codes marked in red)



Polyethylene
UHMW



WEAR STRIP

Code

19009N
19009V



60 m



60 m



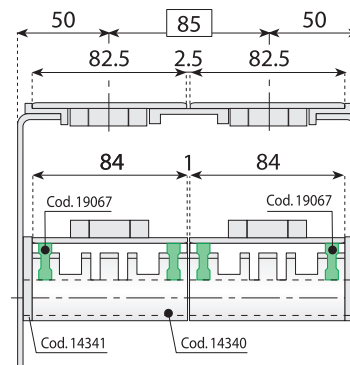
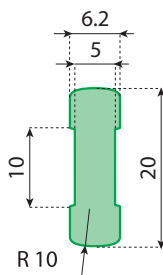
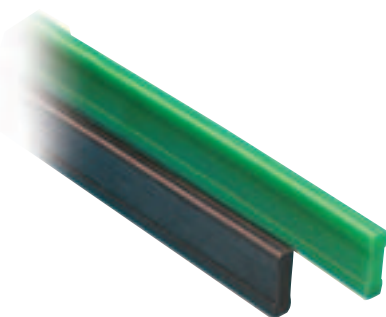
Material

PE



Black
Green

Use: spacers code 14340 - 14012 - 14349.



WEAR STRIP

Code

19067N
19067V



60 m



60 m



Material

PE



Black
Green

Use: spacers code 14340 - 14349.

CHAIN RETURN COMPONENTS

 Preferred type, readily available (codes marked in red)

SERPENTINE RETURN SYSTEM FOR CHAINS AND MODULAR BELTS

Characteristics:

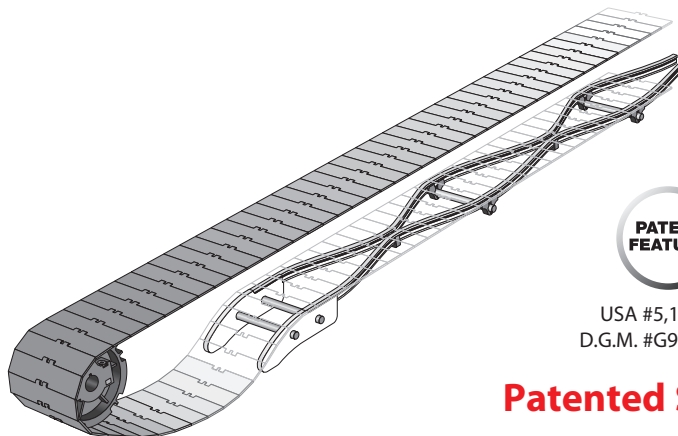
- cost-effective/labor saving
- flexible design/standard parts
- trouble free/secure
- guaranteed materials
- long life/lower chain wear
- low/no maintenance
- stable at high speeds
- universal belt compatibility
- industry proven reliable



Save time and money

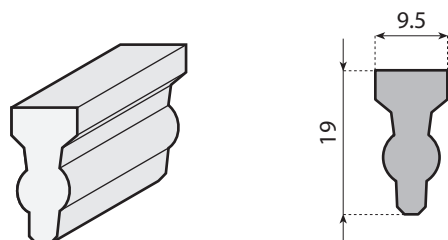


Polyethylene UHMW




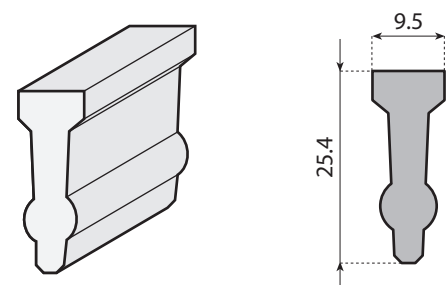
USA #5,190,145
D.G.M. #G9215240.6

Patented Simplicity!




STANDARD VALUFLEX PROFILE

Code	Ref.			Material	
19S00002-30M	VF-CR-3834-30M	30 m	30 m	PE	White



REINFORCED VALUFLEX PROFILE

Code	Ref.			Material	
19S00001-30M	VF-CR-38100-30M	30 m	30 m	PE	White

Spreads out wear across chain!

The ValuFlex system uses standardized parts that help reduce design and fabrication time. ValuFlex can be easily installed, new or retrofitted, without the use of special tools. The absence of moving parts means less noise, less wear, and significantly lower maintenance and replacement cost. The serpentine pattern distributes wear evenly across the belt surface. This extends the useful life of chains or belts and provides increased stability at higher speeds.

ValuFlex is also used as a light duty support grid for lightly loaded modular style belts, and can be used with other Valu Guide components as a hold down system for packaging tops, lids, or flaps.

Low friction ValuFlex UHMW serpentine profiles last for years without the need for lubrication or maintenance, and operate equally well in dry or wet environments.

CHAIN RETURN COMPONENTS

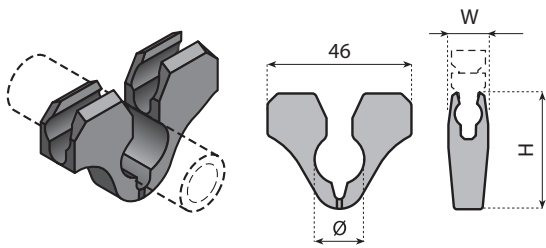
 Preferred type, readily available (codes marked in red)





Save time and money



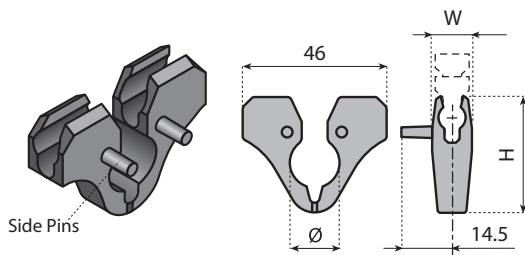
Acetal resin





Code	Ref.	For rod Ø (mm)	H	W		Material	
14S00002	VF-CRC-14M	14	33	11.5	n°10	POM	Black
14S00003	VF-CRC-16M	16	36	12.5			
14S00004	VF-CRC-18M	18	36	12.5			

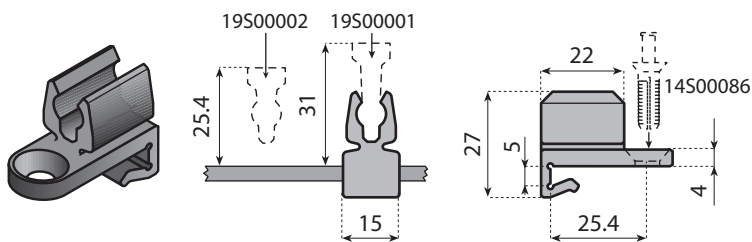




SNAPLOCK CLIPS



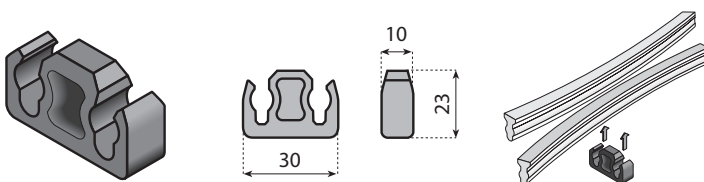
Code	Ref.	For rod Ø (mm)	H	W		Material	
14S00089	VF-CRCP-12M	12	33	11.5	n°10	POM	Black
14S00005	VF-CRCP-14M	14	33	11.5			
14S00006	VF-CRCP-16M	16	36	12.5			
14S00007	VF-CRCP-18M	18	36	12.5			



SNAPLOCK CLIPS



Code	Ref.		Material	
14S00001	VF-CRA-M	n°10	POM	Black

SNAPLOCK CLIPS



Code	Ref.		Material	
14S00008	VF-CRC-T	n°10	POM	Black

PINCH LOCK CLIPS

CHAIN RETURN COMPONENTS

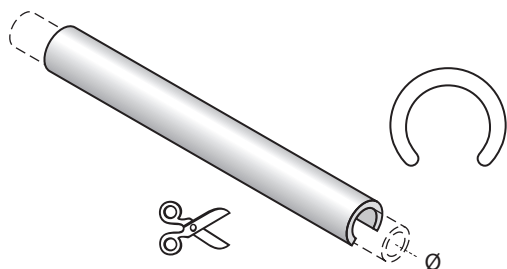
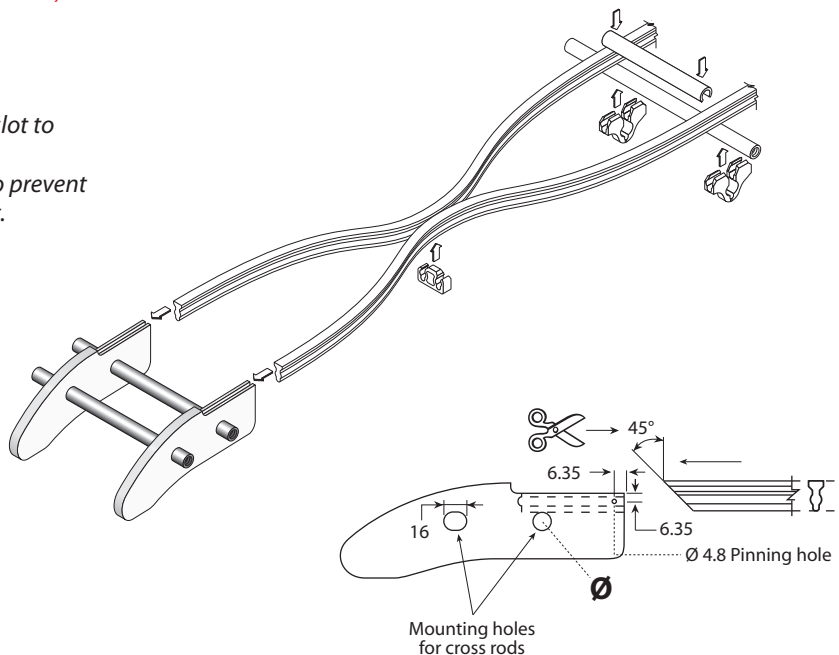
 Preferred type, readily available (codes marked in red)



VALUFLEX

ValuFlex serpentine profiles slide into the return shoe slot to ensure a smooth, trouble-free transition. Pinning the profile to the shoe is a safety precaution to prevent separation caused by a snag or broken chain segment.

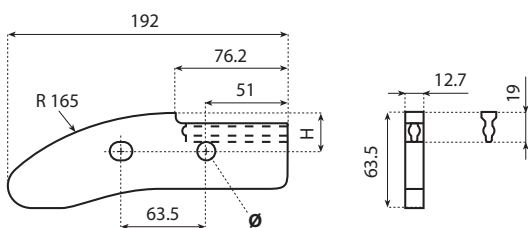




Polyethylene



Code	Ref.	For rod Ø (mm)	L		Material	
19S00003-3M	VF-CRP-3M-14M	14				
19S00004-3M	VF-CRP-3M-16M	16	3 m	30 m	PE	White
19S00005-3M	VF-CRP-3M-18M	18				

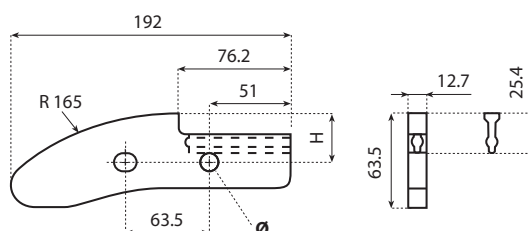
SPACER





Code	Ref.	For rod Ø (mm)	H		Material	
14S00012	VF-CRS-34-14M	14	26			
14S00013	VF-CRS-34-16M	16	27	2	PE	White
14S00014	VF-CRS-34-18M	18	28			

RETURN SHOES

for use with VF-CR-3834

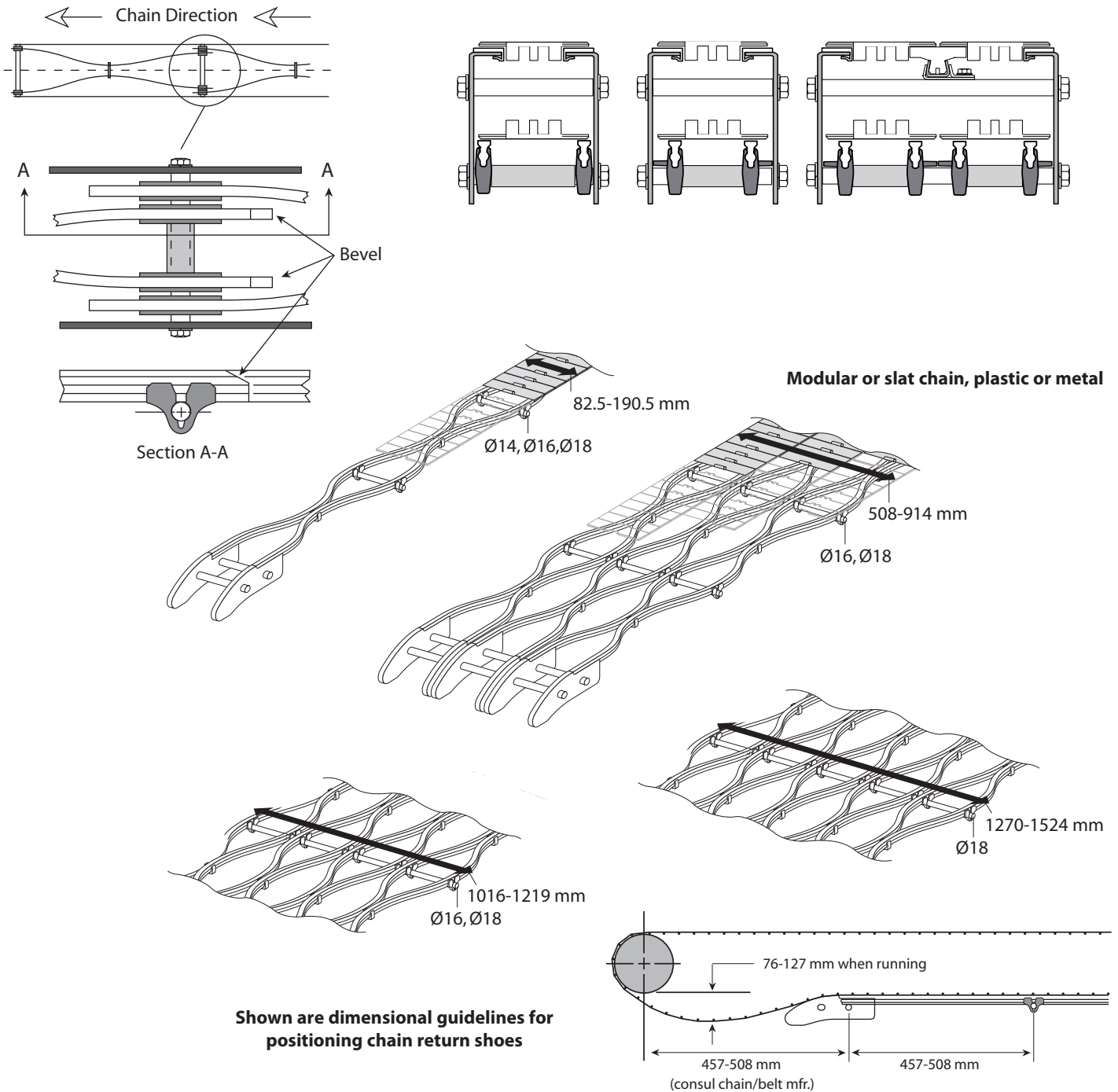




Code	Ref.	For rod Ø (mm)	H		Material	
14S00009	VF-CRS-100-14M	14	32.5			
14S00010	VF-CRS-100-16M	16	33.5	2	PE	White
14S00011	VF-CRS-100-18M	18	34.5			

RETURN SHOES

for use with VF-CR-38100

Splicing with the overlap method is quick and easy with ValuFlex.

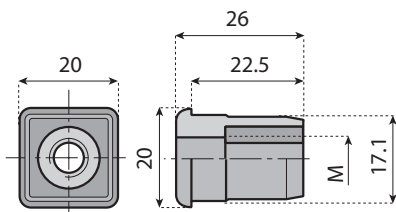


		Single Pair Max. Load			
L (mm)	 VF-34-30M	L (mm)	 VF-100-30M		
300	18.89 Kg/m	300	36.21 Kg/m		
450	6.24 Kg/m	450	11.08 Kg/m		
600	3.59 Kg/m	600	5.77 Kg/m		

CHAIN RETURN COMPONENTS



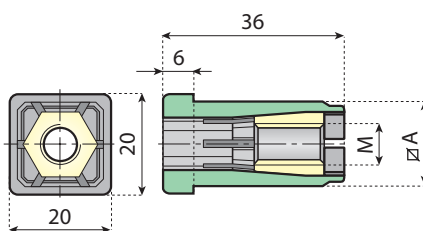
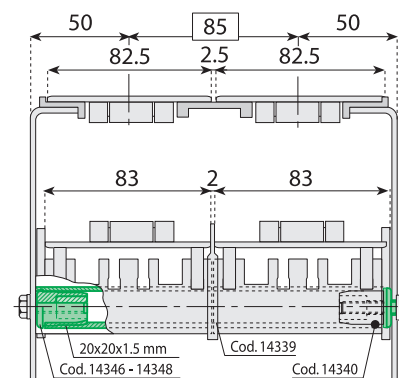
Preferred type, readily available (codes marked in red)



SQUARE PLUG for square tube

Material: reinforced polyamide, threaded bushing in nickel plated brass.

Code	M	For square tube		
14348	6	20 x 20	n°100	Black
14346	8	20 x 20		

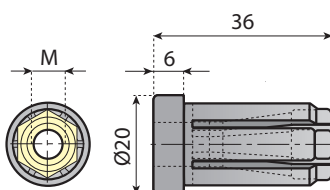
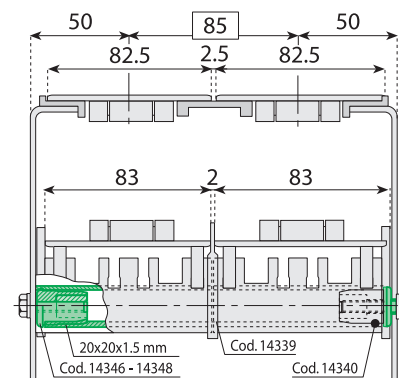


EXPANSION PLUG for square tubes

Components:
External part in reinforced polyamide.
Conical insert in nickel plated brass.

Technical information:
Max. load for removal Kgf 300
(static conditions).

Code	A	M	For square tube		
14019	17	8	20 x 20 x 1.5	n°100	Black
14020	17	10	20 x 20 x 1.5		
14021	16	8	20 x 20 x 2		
14022	16	10	20 x 20 x 2		

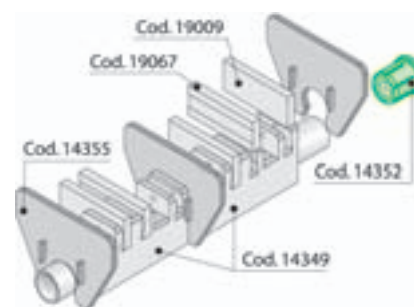


EXPANSION PLUG for round tubes

Components:
External part in reinforced polyamide.
Conical insert in nickel plated brass.

Technical information:
Max. load for removal Kgf 300
(static conditions).

Code	M	For round tube		
14352	8	Ø 20 x 1.5	n°100	Black
14353	10	Ø 20 x 1.5		



CHAIN RETURN COMPONENTS

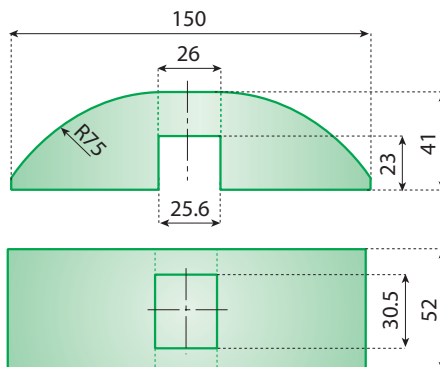
 Preferred type, readily available (codes marked in red)



Polyamide



Polyethylene UHMW



SLIDING SHOE

Code

14300



n°100

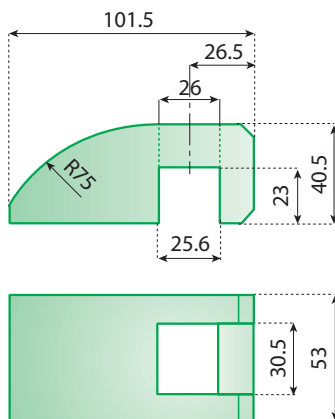
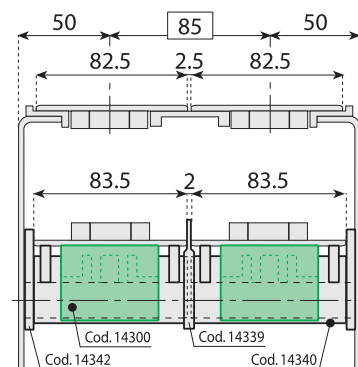


PE



Green

Use: with spacers 14340 - 14349.



SLIDING SHOE

Code

14343



n°100

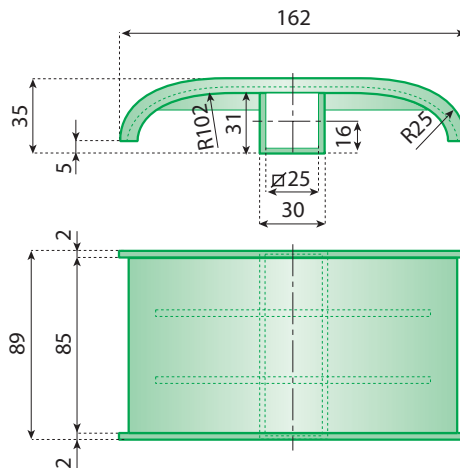
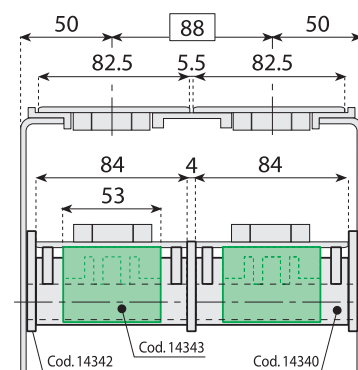


PE



Green

Use: with spacers 14340 - 14349.



SLIDING SHOE

Code

14344



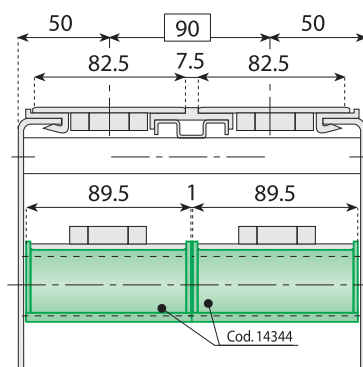
n°100



PA



Green



CHAIN RETURN COMPONENTS



Polyamide

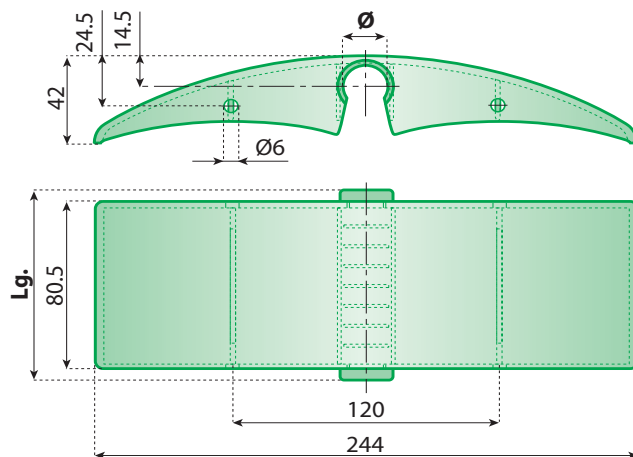


Polyethylene UHMW

Preferred type, readily available (codes marked in red)

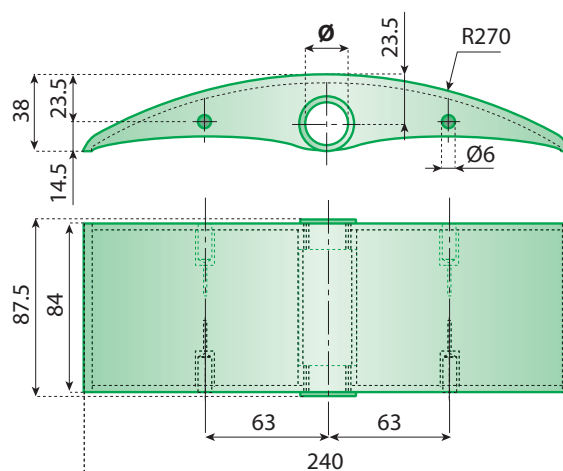


SNAP-ON SELF-ADJUSTING SLIDING SHOE



Code	Lg.	For rod Ø (mm)		Material	
14841		18			Green
14841B	83	18	n° 50	PE	Black
14842		20			Green
14842B		20			Black
14834		18			Green
14834B	84	18	n°50	PE	Black
14838		20			Green
14838B		20			Black

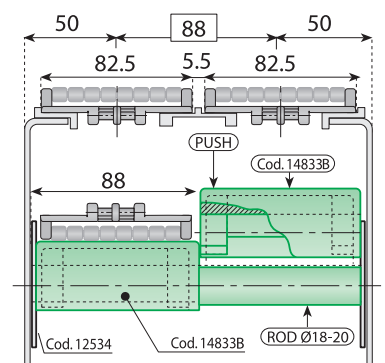
Code	Lg.	For rod Ø (mm)		Material	
14843		18			Green
14843B	85	18	n°50	PE	Black
14844		20			Green
14844B		20			Black
14845		18			Green
14845B	88	18	n°50	PE	Black
14833		20			Green
14833B		20			Black



SELF-ADJUSTING SLIDING SHOE

Application: pitch 88 mm.

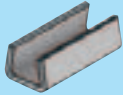
Code	For rod Ø (mm)		Material	
14820	20	n°100	PA	Green
14820B				Black



Conical side guides

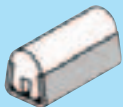
The conical guide rail incorporates two outstanding materials: stainless steel and UHMW. The stainless steel sheath provides rigid streamlined support for heavy loads at any speed, plus a solid connecting point for holding the rail in place with clamps and brackets. The UHMW guiding surface is available in a wide selection of shapes. The very low friction characteristics of UHMW allow containers to move at high speed with a minimum of drag, container damage, and noise. Materials are approved by the FDA and accepted for use in USDA inspected facilities.

STANDARD MATERIAL:



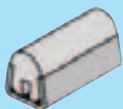
METAL PROFILE

Metal profile is typically in stainless steel AISI 304 (AISI 316 on the request), used for its excellent resistance to corrosion and long lasting attractive appearance. Galvanized steel can be ordered as an economical alternative to stainless steel.



STANDARD VERSION

Natural UHMW - The manufacturing process allows the use of UHMW without additives or other processing chemicals. The result is a material that resists abrasion better, is more color stable (less prone to yellowing) and of uniform consistency. Available in two colors black and white.



SELF LUBRICATED VERSION

Nolu-S UHMW - Battleship grey color. A lubricant system is added to our standard UHMW during processing to give it reduced friction while maintaining all other physical properties. The coefficient of friction Nolu-S material is ca 35% lower as standard. The PV-limit for chain is at least 2 times the standard value for UHMW.



VERSION WITH IMPROVED ELECTROSTATIC CONDUCTIVITY

Static Dissipating UHMW - Special formulation retains the low friction and wear characteristics of UHMW while effectively reducing problems caused by static. Color: black.



Zinc plated steel



AISI 304
Stainless steel



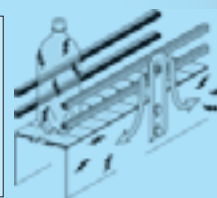
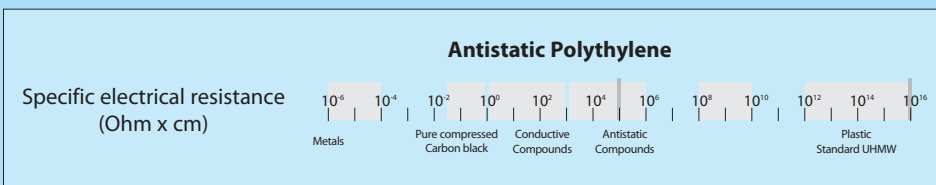
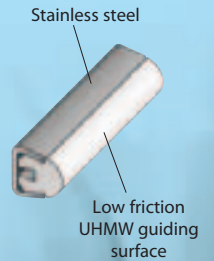
Polyethylene
UHMW



Nolu-S



Polyethylene
UHMW
Antistatic



Static dissipative UHMW rail provides a conductive pathway to disperse the buildup of static electricity.

ON REQUEST:



VERSION FOR HIGH TEMPERATURE

High temperature. Special developed material to operate under high temperatures. The HT profiles are designed to operate under a continuous temperature of maximum 270°C. Typical applications for HT profiles are: Ovens, cookers, hot fill area, steam chambers, furnace discharge, retorts, fryers, shrink tunnels, pasturizers and steam boxes.



For use in
high temperatures

SPECIFICATIONS	HI-TEMP MATERIAL	MATERIAL PROFILE
Tensile Strength - ASTM D-1457 (N/mm ²)	12.6	500
Deformation under load - ASTM D-621 (%)	3.8	-
Coefficient of thermal expansion - ASTM D-696 mm/mm/°Cx10 ⁻⁵)	7.47 (37°-120°C)	-
	12.62 (120°-150°C)	
Coefficient of friction - ASTM D-1894	7.47 (150°-270°C)	-
	0.04	
Continuous service temperature	270°C	-

CONICAL SIDE GUIDES



CONICAL SIDE GUIDES

Material:

Extruded ultra high molecular weight polyethylene.
Max. continuous service temperature in air 90° C.
Water absorption coefficient = 0.
Sheath material see the table.

Notes:

These USDA-approved designs eliminate the chance of contamination by sealing out liquids and debris. As a result, they make it easy to maintain a clean, sanitary surface.

Preferred type, readily available (codes marked in red)



Nolu-S



AISI 304
Stainless steel



Accessories



Zinc plated steel



Consult pages
105-109 for
bending machines



Polyethylene
UHMW

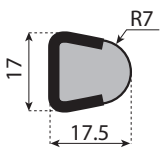
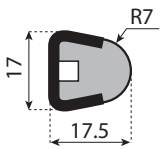


Polyethylene
antistatic
UHMW



Teflon alloy

STANDARD VERSIONS

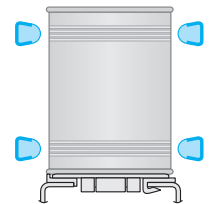


SOLID VERSIONS

Code		L	Material	Metal profile material	
Standard version	Ref.				
19019	-	3 m	PE		White
19019L	-	6 m	PE		White
19019V	-	3 m	PE		Green
19019VL	-	6 m	PE		Green
19020	-	3 m	PE	SS 304	Black
19020L	-	6 m	PE	SS 304	Black
19020AS	VG-SSR-SD-3M	3 m	PE-as		Black
19020ASL	VG-SSR-SD-6M	6 m	PE-as		Black
19S00145NS-3M	VG-SSR-NS-3M	3 m	Nolu-S		Light Grey
19S00145NS-6M	VG-SSR-NS-6M	6 m	Nolu-S		Light Grey
19021	-	3 m	PE		White
19021L	-	6 m	PE		White
19021V	-	3 m	PE	ZN	Green
19021VL	-	6 m	PE	ZN	Green
19022	-	3 m	PE		Black
19022L	-	6 m	PE		Black

Solid version

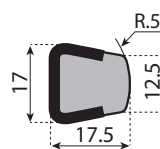
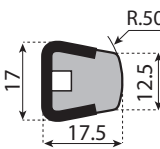
19S00146-3M	VG-SSRS-3M	3 m	PE	SS 304	White
19S00146-6M	VG-SSRS-6M	6 m	PE	SS 304	White



CONICAL SIDE GUIDES

Weight: 0.60 Kg/m
Packaging: 30 meters

STANDARD VERSIONS

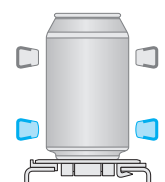


SOLID VERSIONS

Code		L	Material	Metal profile material	
Standard version	Ref.				
19023	-	3 m	PE		White
19023L	-	6 m	PE		White
19024	-	3 m	PE		Black
19024L	-	6 m	PE		Black
19024AS	VG-SSM-SD-3M	3 m	PE-as	SS 304	Black
19024ASL	VG-SSM-SD-6M	6 m	PE-as	SS 304	Black
19S00129NS-3M	VG-SSM-NS-3M	3 m	Nolu-S		Light Grey
19S00129NS-6M	VG-SSM-NS-6M	6 m	Nolu-S		Light Grey
19025	-	3 m	PE		White
19025L	-	6 m	PE		White
19026	-	3 m	PE	ZN	Black
19026L	-	6 m	PE	ZN	Black

Solid version

19S00130-3M	VG-SSMS-3M	3 m	PE	SS 304	White
19S00130-6M	VG-SSMS-6M	6 m	PE	SS 304	White

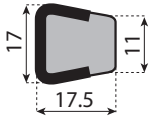
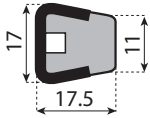


CONICAL SIDE GUIDES

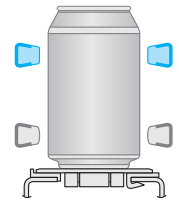
Weight: 0.60 Kg/m
Packaging: 30 meters

 Preferred type, readily available (codes marked in red)

STANDARD VERSIONS



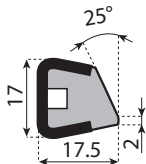
SOLID VERSIONS



CONICAL SIDE GUIDES

Weight: 0.60 Kg/m
Packaging: 30 meters

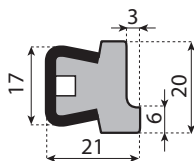
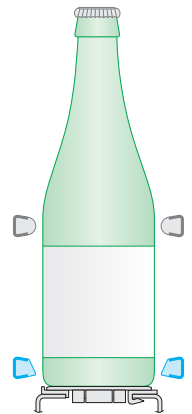
Code		L	Material	Metal profile material	Paint
Standard version	Ref.				
19027	-	3 m	PE		White
19027L	-	6 m	PE		White
19028	-	3 m	PE		Black
19028L	-	6 m	PE		Black
19028AS	VG-SSF-SD-3M	3 m	PE-as	SS 304	Black
19028ASL	VG-SSF-SD-6M	6 m	PE-as		Black
19S00115NS-3M	VG-SSF-NS-3M	3 m	Nolu-S		Light Grey
19S00115NS-6M	VG-SSF-NS-6M	6 m	Nolu-S		Light Grey
19S00115HT-3M	VG-SSF-HT-3M	3 m	HT		-
19029	-	3 m	PE		White
19029L	-	6 m	PE		White
19030	-	3 m	PE	ZN	Black
19030L	-	6 m	PE		Black
Solid version					
19S00116-3M	VG-SSFS-3M	3 m	PE	SS 304	White
19S00116-6M	VG-SSFS-6M	6 m	PE		White



STANDARD VERSIONS

Weight: 0.55 Kg/m
Packaging: 30 meters

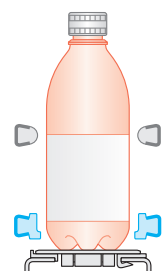
Code		L	Material	Metal profile material	Paint
Standard version	Ref.				
19065	-	3 m			White
19065L	-	6 m			White
19066	-	3 m	PE	SS 304	Black
19066L	-	6 m			Black
190249	-	3 m			White
190249L	-	6 m			White
190250	-	3 m	PE	ZN	Black
190250L	-	6 m			Black



STANDARD VERSIONS

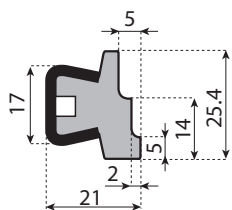
Weight: 0.62 Kg/m
Packaging: 30 meters

Code		L	Material	Metal profile material	Paint
Standard version	Ref.				
19063W	-	3 m			White
19063WL	-	6 m			White
19063	-	3 m	PE	SS 304	Black
19063L	-	6 m			Black
190251	-	3 m			White
190251L	-	6 m			White
190252	-	3 m	PE	ZN	Black
190252L	-	6 m			Black



CONICAL SIDE GUIDES

 Preferred type, readily available (codes marked in red)

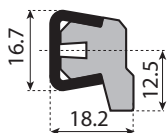
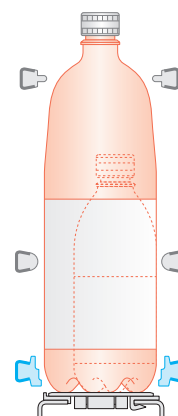


STANDARD VERSIONS

Weight: 0.72 Kg/m

Packaging: 30 meters

Code		L	Material	Metal profile material	Paint
Standard version	Ref.				
190253	-	3 m	PE	SS 304	White
190253L	-	6 m			White
190254	-	3 m			Black
190254L	-	6 m			Black
190255	-	3 m	PE	ZN	White
190255L	-	6 m			White
190256	-	3 m			Black
190256L	-	6 m			Black

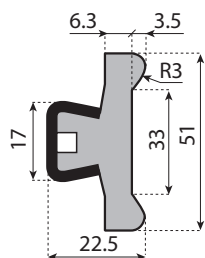
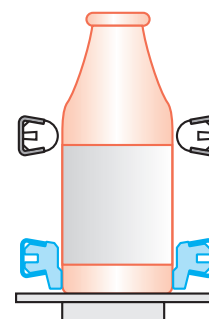


STANDARD VERSIONS

Weight: 0.65 Kg/m

Packaging: 30 meters

Code		L	Material	Metal profile material	Paint
Standard version	Ref.				
19S00138-3M	VG-SSMT-3M	3 m	PE	SS 304	White
19S00138-6M	VG-SSMT-6M	6 m	PE		White
19S00138SD-3M	VG-SSMT-SD-3M	3 m	PE-as		Black
19S00138SD-6M	VG-SSMT-SD-6M	6 m	PE-as		Black

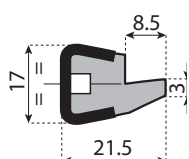
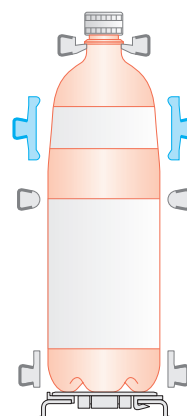


STANDARD VERSIONS

Weight: 1.05 Kg/m

Packaging: 30 meters

Code		L	Material	Metal profile material	Paint
Standard version	Ref.				
19062	-	3 m	PE	SS 304	White
19062L	-	6 m			White
190257	-	3 m			Black
190257L	-	6 m			Black
190258	-	3 m	PE	ZN	White
190258L	-	6 m			White
190259	-	3 m			Black
190259L	-	6 m			Black

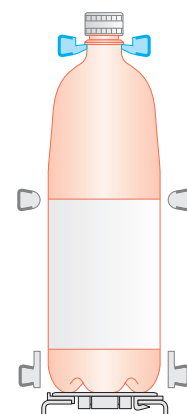


STANDARD VERSIONS

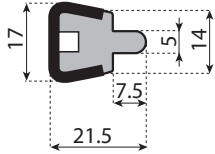
Weight: 0.62 Kg/m

Packaging: 30 meters

Code		L	Material	Metal profile material	Paint
Standard version	Ref.				
19042	-	3 m	PE	SS 304	White
19042L	-	6 m			White
19043	-	3 m			Black
19043L	-	6 m			Black
190260	-	3 m	PE	ZN	White
190260L	-	6 m			White
190261	-	3 m			Black
190261L	-	6 m			Black



 Preferred type, readily available (codes marked in red)

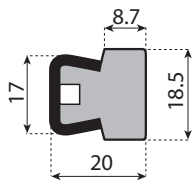
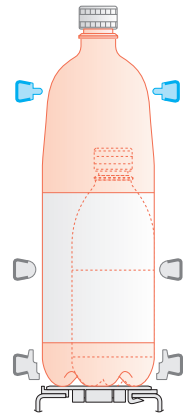


STANDARD VERSIONS

Weight: 0.62 Kg/m

Packaging: 30 meters

Code		L	Material	Metal profile material	
Standard version	Ref.				
190262	-	3 m			Black
190262L	-	6 m	PE	SS 304	Black
190263	-	3 m			White
190263L	-	6 m	PE	ZN	White
190264	-	3 m			Black
190264L	-	6 m			Black

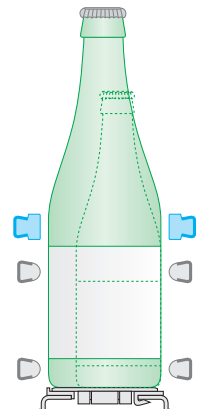


STANDARD VERSIONS

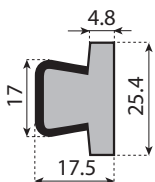
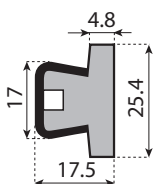
Weight: 0.68 Kg/m

Packaging: 30 meters

Code		L	Material	Metal profile material	
Standard version	Ref.				
19057	-	3 m	PE		White
19057L	-	6 m	PE		White
19058	-	3 m	PE		Black
19058L	-	6 m	PE	SS 304	Black
19058AS	VG-SST-.75-SD-3M	3 m	PE-as		Black
19058ASL	VG-SST-.75-SD-6M	6 m	PE-as		Black
19S00153N-3M	VG-SST-N-.75-3M	3 m	Nylatron		Black
190200	-	3 m	PE		White
190200L	-	6 m	PE	ZN	White
190201	-	3 m	PE		Black
190201L	-	6 m	PE		Black

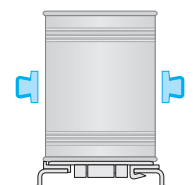


STANDARD VERSIONS



SOLID VERSIONS

Code		L	Material	Metal profile material	
Standard version	Ref.				
190212	-	3 m	PE		White
190212L	-	6 m	PE		White
190213	-	3 m	PE		Black
190213L	-	6 m	PE	SS 304	Black
190213AS	VG-SSWF-SD-3M	3 m	PE-as		Black
190213ASL	VG-SSWF-SD-6M	6 m	PE-as		Black
19S00187NS-3M	VG-SSWF-NS-3M	3 m	Nolu-S		Light Grey
19S00187NS-6M	VG-SSWF-NS-6M	6 m	Nolu-S		Light Grey
190214	-	3 m	PE		White
190214L	-	6 m	PE	ZN	White
190215	-	3 m	PE		Black
190215L	-	6 m	PE		Black



Solid version		L	Material	Metal profile material	
19S00174-3M	VG-SSWF-3M	3 m	PE	SS 304	White
19S00174-6M	VG-SSWF-6M	6 m	PE		White

CONICAL SIDE GUIDES

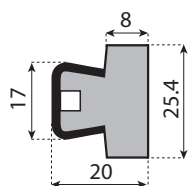
Weight: 0.72 Kg/m

Packaging: 30 meters

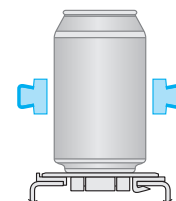
CONICAL SIDE GUIDES

 Preferred type, readily available (codes marked in red)

STANDARD VERSIONS

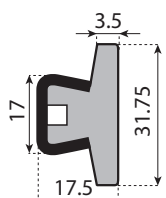


Code		L	Material	Metal profile material	
Standard version	Ref.				
19031	-	3 m	PE	SS 304	White
19031L	-	6 m	PE		White
19032	-	3 m	PE		Black
19032L	-	6 m	PE		Black
19032AS	VG-SST-1.00-SD-3M	3 m	PE-as		Black
19032ASL	VG-SST-1.00-SD-6M	6 m	PE-as		Black
19S00154N-3M	VG-SST-N-1.00-3M	3 m	Nylatron	Black	
190202	-	3 m	PE	ZN	White
190202L	-	6 m	PE		White
190203	-	3 m	PE		Black
190203L	-	6 m	PE		Black

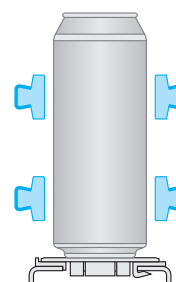


CONICAL SIDE GUIDES
Weight: 0.78 Kg/m
Packaging: 30 meters

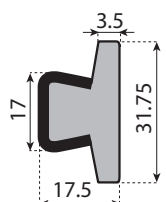
STANDARD VERSIONS



Code		L	Material	Metal profile material	
Standard version	Ref.				
190232	-	3 m	PE	SS 304	White
190232L	-	6 m	PE		White
190233	-	3 m	PE		Black
190233L	-	6 m	PE	Black	
190234	-	3 m	PE	ZN	White
190234L	-	6 m	PE		White
190235	-	3 m	PE		Black
190235L	-	6 m	PE	Black	



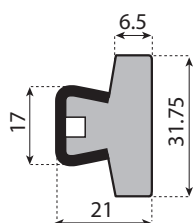
CONICAL SIDE GUIDES
Weight: 0.76 Kg/m
Packaging: 30 meters



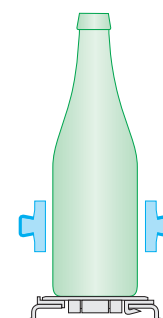
Solid version					
19S00175-3M	VG-SSWFS-1.25-3M	3 m	PE	SS 304	White
19S00175-6M	VG-SSWFS-1.25-6M	6 m	PE		White

SOLID VERSIONS

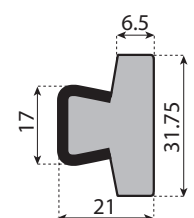
STANDARD VERSIONS



Code		L	Material	Metal profile material	
Standard version	Ref.				
19033	-	3 m	PE	SS 304	White
19033L	-	6 m	PE		White
19034	-	3 m	PE		Black
19034L	-	6 m	PE		Black
19034AS	VG-SST-1.25-SD-3M	3 m	PE-as		Black
19034ASL	VG-SST-1.25-SD-6M	6 m	PE-as		Black
19S00164NS-3M	VG-SST-1.25-NS-3M	3 m	Nolu-S	Light Grey	
19S00164NS-6M	VG-SST-1.25-NS-6M	6 m	Nolu-S		Light Grey
19S00164N-3M	VG-SST-N-1.25-3M	3 m	Nylatron	Black	
19S00164HT-3M	VG-SST-HT-1.25-3M	3 m	HT	-	
190204	-	3 m	PE	ZN	White
190204L	-	6 m	PE		White
190205	-	3 m	PE		Black
190205L	-	6 m	PE		Black



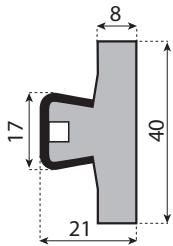
CONICAL SIDE GUIDES
Weight: 0.86 Kg/m
Packaging: 30 meters



Solid version					
19S00165-3M	VG-SSTS-1.25-3M	3 m	PE	SS 304	White
19S00165-6M	VG-SSTS-1.25-6M	6 m	PE		White

SOLID VERSIONS



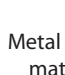

 Preferred type, readily available (codes marked in red)

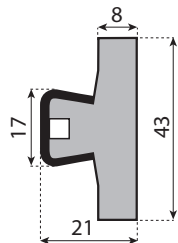
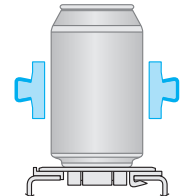


CONICAL SIDE GUIDES

Weight: 0.90 Kg/m

Packaging: 30 meters



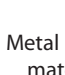

Code					
Standard version	Ref.				
19059	-	3 m	PE		White
19059L	-	6 m	PE		White
19060	-	3 m	PE		Black
19060L	-	6 m	PE		Black
19060AS	VG-SST-1.60-SD-3M	3 m	PE-as	SS 304	Black
19060ASL	VG-SST-1.60-SD-6M	6 m	PE-as		Black
19S00166NS-3M	VG-SST-1.60-NS-3M	3 m	Nolu-S		Light Grey
19S00166NS-6M	VG-SST-1.60-NS-6M	6 m	Nolu-S		Light Grey
19S00166N-3M	VG-SST-N-1.60-3M	3 m	Nylatron		Black
190206	-	3 m	PE		White
190206L	-	6 m	PE	ZN	White
190207	-	3 m	PE		Black
190207L	-	6 m	PE		Black

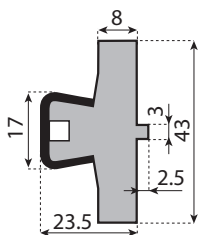
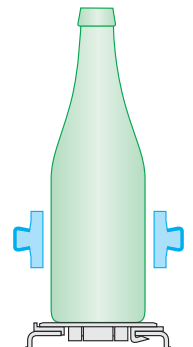


STANDARD VERSIONS

Weight: 0.94 Kg/m

Packaging: 30 meters



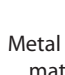

Code					
Standard version	Ref.				
190216	-	3 m			White
190216L	-	6 m	PE	SS 304	White
190217	-	3 m			Black
190217L	-	6 m			Black
190218	-	3 m			White
190218L	-	6 m			White
190219	-	3 m	PE	ZN	Black
190219L	-	6 m			Black



STANDARD VERSIONS

Weight: 0.95 Kg/m

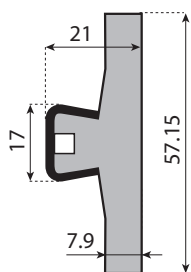
Packaging: 30 meters

Code					
Standard version	Ref.				
19038	-	3 m	PE		White
19038L	-	6 m	PE		White
19039	-	3 m	PE	SS 304	Black
19039L	-	6 m	PE		Black
19039AS	VG-SST-1.70-SD-3M	3 m	PE-as		Black
19039ASL	VG-SST-1.70-SD-6M	6 m	PE-as		Black
190208	-	3 m	PE		White
190208L	-	6 m	PE	ZN	White
190209	-	3 m	PE		Black
190209L	-	6 m	PE		Black



CONICAL SIDE GUIDES

 Preferred type, readily available (codes marked in red)

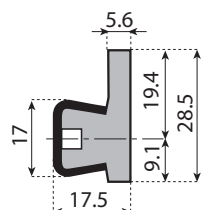
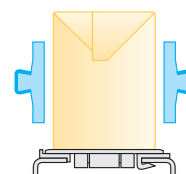


STANDARD VERSIONS

Weight: 1.1 Kg/m

Packaging: 30 meters

Code	Ref.	L	Material	Metal profile material	
190220	-	3 m	PE		White
190220L	-	6 m	PE		White
190221	-	3 m	PE		Black
190221L	-	6 m	PE	SS 304	Black
190221AS	VG-SST-2.25-SD-3M	3 m	PE-as		Black
190221ASL	VG-SST-2.25-SD-6M	6 m	PE-as		Black
19S00167NS-3M	VG-SST-2.25-NS-3M	3 m	Nolu-S		Light Grey
19S00167NS-6M	VG-SST-2.25-NS-6M	6 m	Nolu-S		Light Grey
190222	-	3 m	PE		White
190222L	-	6 m	PE	ZN	White
190223	-	3 m	PE		Black
190223L	-	6 m	PE		Black

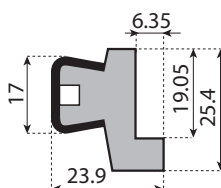
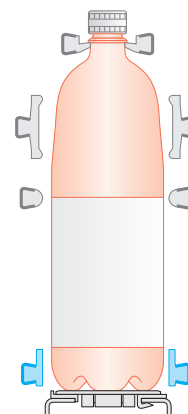


STANDARD VERSIONS

Weight: 0.72 Kg/m

Packaging: 30 meters

Code	Ref.	L	Material	Metal profile material	
190236	-	3 m			White
190236L	-	6 m	PE	SS 304	White
190237	-	3 m			Black
190237L	-	6 m			Black
190238	-	3 m			White
190238L	-	6 m	PE	ZN	White
190239	-	3 m			Black
190239L	-	6 m			Black



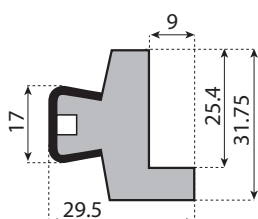
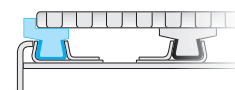
STANDARD VERSIONS

Weight: 0.15 Kg/m

Packaging: 30 meters

Code	Ref.	L	Material	Metal profile material	
190228	-	3 m			White
190228L	-	6 m	PE	SS 304	White
190229	-	3 m			Black
190229L	-	6 m			Black
190230	-	3 m			White
190230L	-	6 m	PE	ZN	White
190231	-	3 m			Black
190231L	-	6 m			Black

Use: wear strip and side guide for modular wide belts



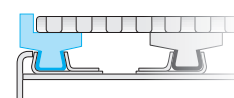
STANDARD VERSIONS

Weight: 1.15 Kg/m

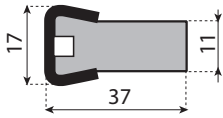
Packaging: 30 meters

Code	Ref.	L	Material	Metal profile material	
190224	-	3 m	PE		White
190224L	-	6 m	PE		White
190225	-	3 m	PE	SS 304	Black
190225L	-	6 m	PE		Black
19S00123NS-3M	VG-SSLT-1.0X38-NS-3M	3 m	Nolu-S		Light Grey
19S00123NS-6M	VG-SSLT-1.0X38-NS-6M	6 m	Nolu-S		Light Grey
190226	-	3 m	PE		White
190226L	-	6 m	PE	ZN	White
190227	-	3 m	PE		Black
190227L	-	6 m	PE		Black


Use: wear strip and side guide for modular wide belts



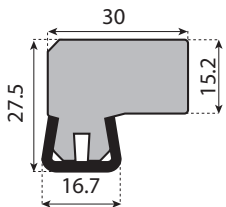
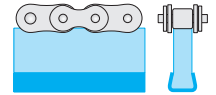
 Preferred type, readily available (codes marked in red)




STANDARD VERSIONS
Weight: 0.80 Kg/m
Packaging: 30 meters

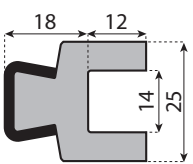
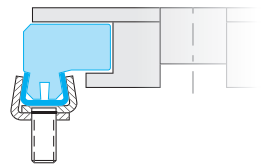
Code		L	Material	Metal profile material	
Standard version	Ref.				
19040	-	3 m			White
19040L	-	6 m	PE	SS 304	White
19041	-	3 m			Black
19041L	-	6 m			Black
190210	-	3 m			White
190210L	-	6 m	PE	ZN	White
190211	-	3 m			Black
190211L	-	6 m			Black

Use: ISO 12B1 European series roller chains




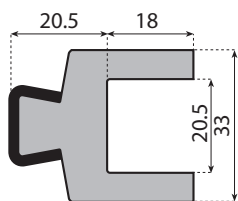
STANDARD VERSIONS
Weight: 1.2 Kg/m
Packaging: 30 meters

Code		L	Material	Metal profile material	
Standard version	Ref.				
19S00181-3M	VG-SSTG-02-3M	3 m			White
19S00181-6M	VG-SSTG-02-6M	6 m	PE	SS 304	White
19S00181B-3M	VG-SSTG-02-B-3M	3 m			Black
19S00181B-6M	VG-SSTG-02-B-6M	6 m			Black




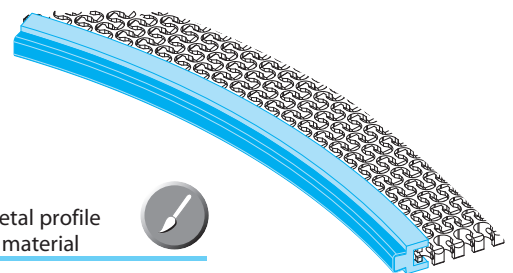
STANDARD VERSIONS
Weight: 1.3 Kg/m
Packaging: 30 meters

Code		L	Material	Metal profile material	
Standard version	Ref.				
19S00182NS-3M	VG-SSUT-1.00-S-3M	3 m	Nolu-S	SS 304	Light Grey



STANDARD VERSIONS
Weight: 1.5 Kg/m
Packaging: 30 meters

Code		L	Material	Metal profile material	
Standard version	Ref.				
19S00183NS-3M	VG-SSUT-1.30-S-3M	3 m	Nolu-S	SS 304	Light Grey



 Preferred type, readily available (codes marked in red)

POLYGLIDE™

Guide rail for use with plastics such as PET and polypropylene.

PolyGlide™ rail is designed to be an economical solution to guiding plastic containers, cartons, and conveyor belting. PolyGlide™ is constructed using 304 stainless steel as the guide contact surface and can be used with all standard Valu Guide rail clips and clamps.

PolyGlide reduces static buildup.

Plastic packaging and PET bottles can generate high levels of static buildup as they travel along a conveyor. PolyGlide provides static buildup with a pathway to the surrounding conveyor frame where it can dissipate. Conveyor frame may need to be grounded.

PolyGlide can be used in higher operating temperatures.

PolyGlide can withstand harsh environments such as: Steam chambers, furnace discharge, steam boxes, shrink tunnels, pasteurizers, hot fill area, ovens, cookers, fryers.



AISI 304
Stainless steel



Saves time
and money



For use in high
temperatures





Static charge
reducing
capability

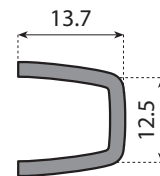


[Consult pages
105 ➔ 109 for
bending machines](#)

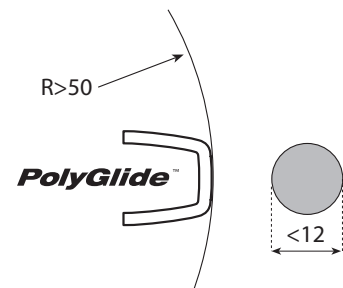
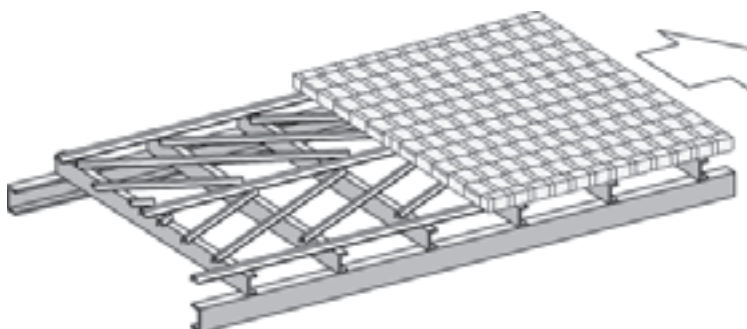


POLYGLIDE PROFILE

Code	Ref.			Material
19S00008-3M	VG-SPM-3M	3 m	30 m	SS 304
19S00008-6M	VG-SPM-6M	6 m	60 m	



The design of the stainless steel profile, used in the Valu Guide combines the strength of a round solid bar with a diameter of more than 12mm with a smoothly curved sliding surface with a radius of over 50mm.



 Preferred type, readily available (codes marked in red)



AISI 304
Stainless steel



Saves time
and money



For use in high
temperatures



Static charge
reducing
capability



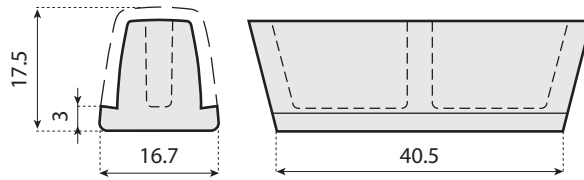
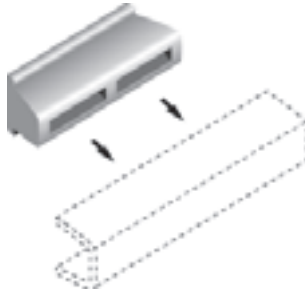
Thermoplastic
elastomers




Accessories

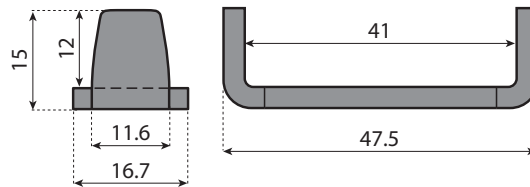
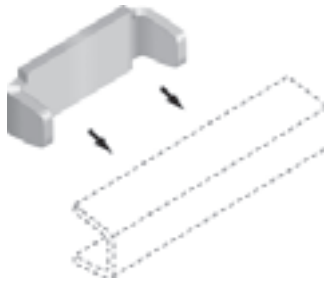


Par. # 6,105,757
(USA)



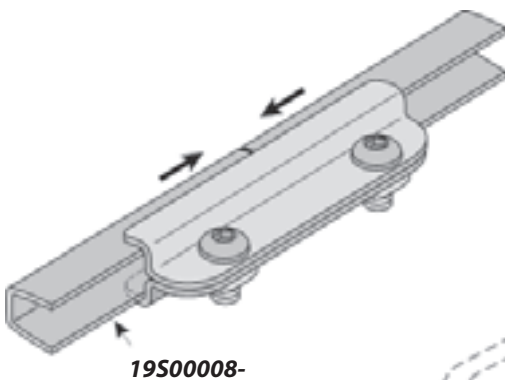
Code	Ref.		Material
13S00092	VG-PMI-25	n° 20	TPE

POLYGLIDE PROFILE

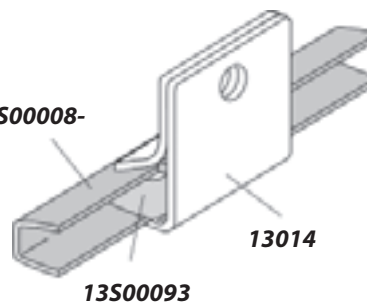


Code	Ref.		Material
13S00093	VG-PMI-30	n° 20	SS 304

POLYGLIDE PROFILE



19S00008-

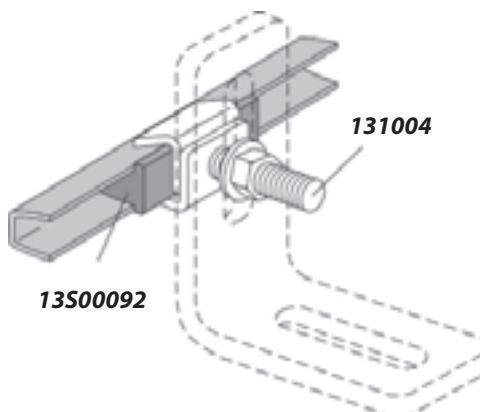


13014

13S00093

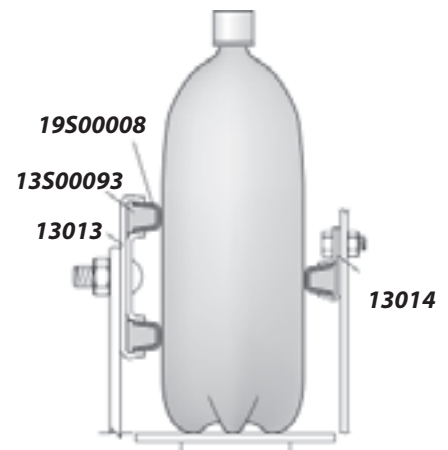


Par. # 6,053,654
(USA)



131004

13S00092



19S00008

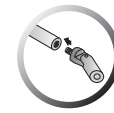
13S00093

13013

13014

ADJUSTABLE GUIDE RAIL CLAMP

 Preferred type, readily available (codes marked in red)



See page
142

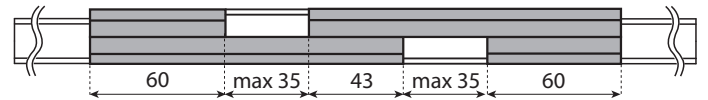
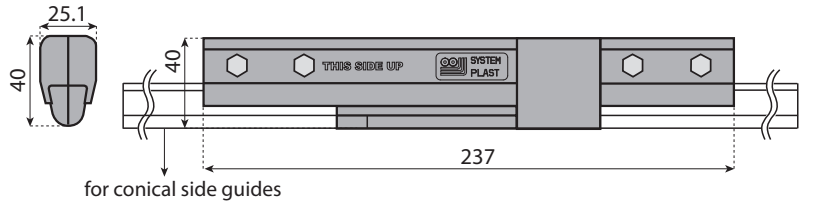


Polyamide

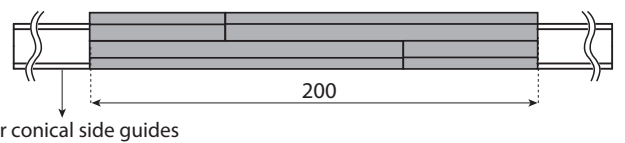
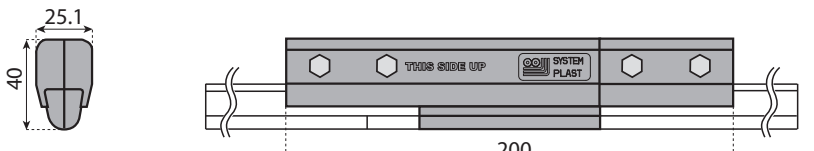


See page
76

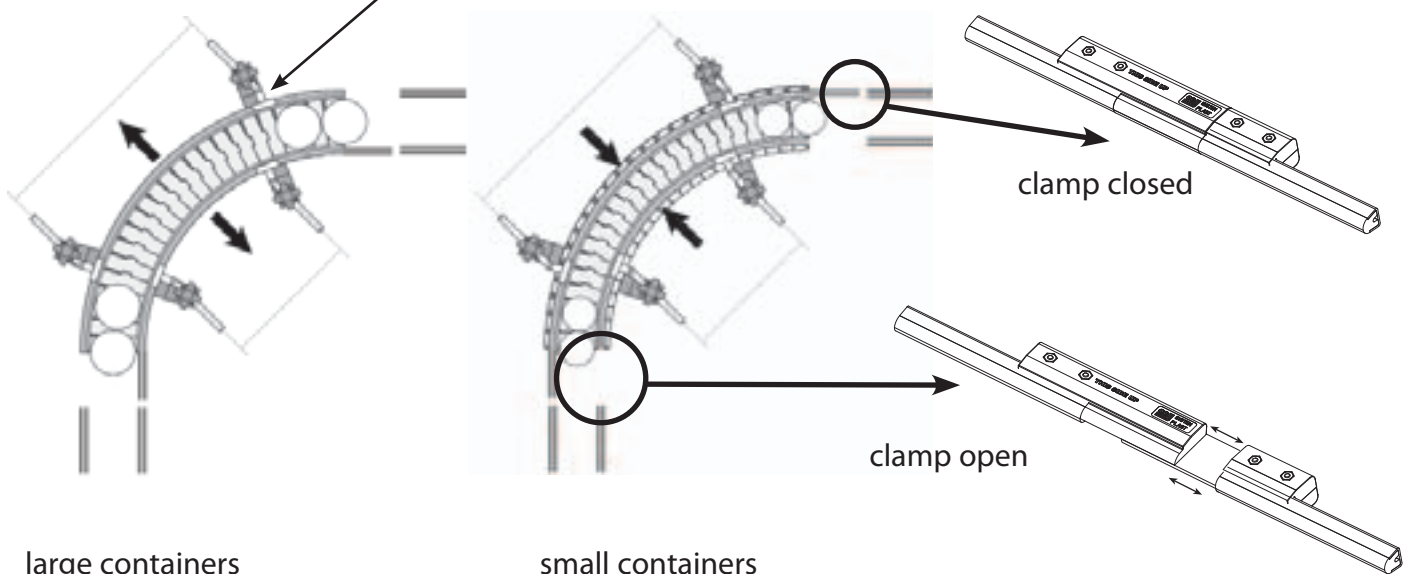
"Open" position



"Closed" position



JOINT ROD ADAPTER (page 142)



large containers

small containers

Code

For profiles

19019
19020
19021
19022
19S00145NS
19S00146



n° 50

131170

Material: clamp in PA,
bolts in stainless steel
nuts in nickel plated brass.
Supply: assembled.

STRAIGHT NECK GUIDE RAILS

Preferred type, readily available (codes marked in red)



Polyethylene
UHMW



On request straight neck guide rails with special dimensions can be produced.



For further information contact our Engineering Department



STRAIGHT NECK GUIDE RAILS

Material: Ultra High Molecular Weight Polyethylene to provide minimum friction and reliable long term performance.

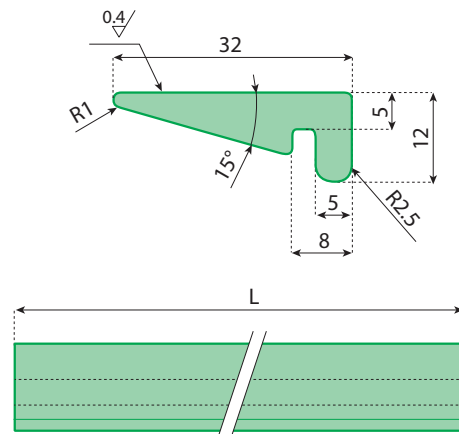
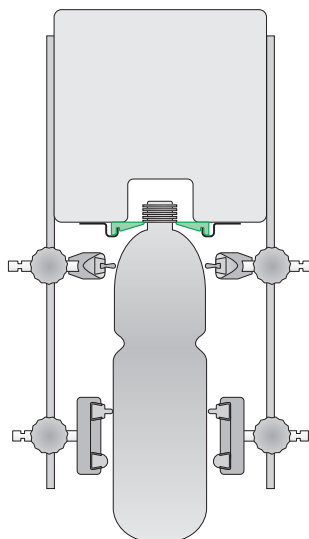
Note: max. continuous service temperature in air 90°C. Water absorption coefficient = 0.

Colour: green.

Supply: 2,52 or 3 meters.

Packaging: 10 pieces (25.2 or 30 meters).

Use: overhead transport of PET bottles.



Code			
19460	2.52 m	25 m	Green
19460L	3 m	30 m	

CORNER NECK GUIDE RAILS

CORNER NECK GUIDES RAILS

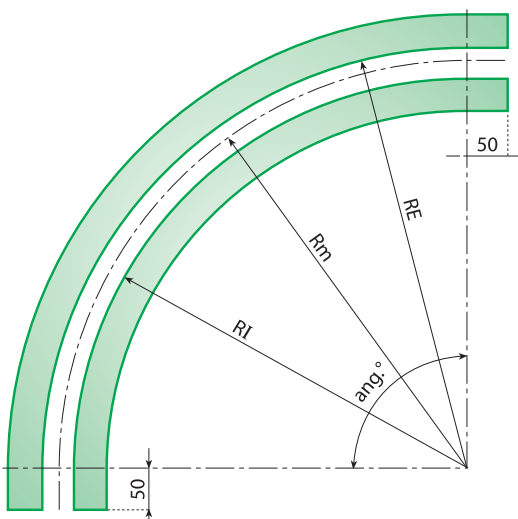
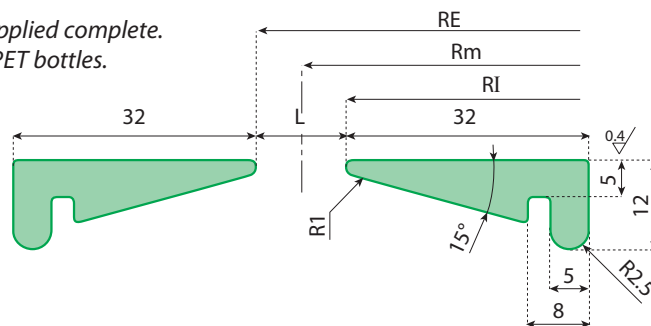
Material: Ultra High Molecular Weight Polyethylene to provide minimum friction and reliable long term performance.

Note: max. continuous service temperature in air 90°C. Water absorption coefficient = 0.

Colour: green.

Supply: corner tracks are supplied complete.

Use: overhead transport of PET bottles.



Corner neck guide rails L = 28.5									
Rm	RE	RI	L	15°	30°	45°	60°	75°	90°
500	514.25	486.7	28.5	190300	190301	190302	190303	190304	19450
750	764.25	735.75	28.5	190305	190306	190307	190308	190309	19451
1000	1014.25	985.75	28.5	190310	190311	190312	190313	190314	19452

Corner neck guide rails L = 36									
Rm	RE	RI	L	15°	30°	45°	60°	75°	90°
750	768	732	36	190315	190316	190317	190318	190319	190320
1000	1018	982	36	190321	190322	190323	190324	190325	190326

Corner neck guide rails L = 42									
Rm	RE	RI	L	15°	30°	45°	60°	75°	90°
750	771	729	42	190327	190328	190329	190330	190331	190332
1000	1021	979	42	190333	190334	190335	190336	190337	190338

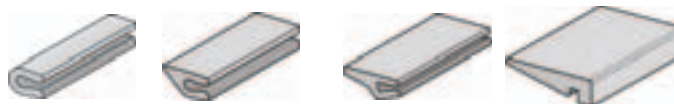
NECK GUIDES FOR PET CONTAINERS



NECK GUIDES

Helps guide PET and HDPE containers in high speed, air conveying applications. Nolu-SR is a proprietary alloy of reinforced UHMW and other USDA accepted lubricants, resulting in a harder, lower friction material that is ideal in these applications. Though design differ, the material of choice is Nolu-SR, proven to increase throughput, reduce jams and wear longer.

Material: Nolu-SR is a special UHMW with modified molecular structure helps guide PET containers in high speed applications.



Nolu-S

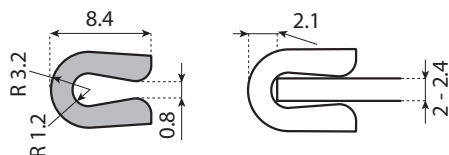


Nolu-SR



Also available in anti-static!

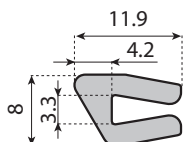
Preferred type, readily available (codes marked in red)



Code

Ref.

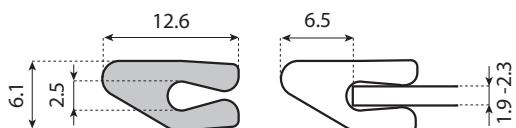
Code	Ref.			Material	
19S00036NS-30M	VG-P105R-30M	30 m	30 m	Nolu-S	Light Grey
19S00036NS-75M	VG-P105R-75M	75 m	75 m	Nolu-S	Light Grey
19S00036NSR-30M	VG-P105RCL-30M	30 m	30 m	Nolu-SR	Dark Grey
19S00036NSR-75M	VG-P105RCL-75M	75 m	75 m	Nolu-SR	Dark Grey



Code

Ref.

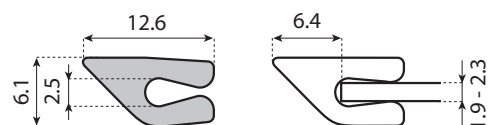
Code	Ref.			Material	
19S00040NSR-30M	VG-NG47-SR-30M	30 m	30 m	Nolu-SR	Dark Grey
19S00040NSR-75M	VG-NG47-SR-75M	75 m	75 m	Nolu-SR	Dark Grey



Code

Ref.

Code	Ref.			Material	
19S00041NSR-30M	VG-NG49-SR-30M	30 m	30 m	Nolu-SR	Dark Grey
19S00041NSR-75M	VG-NG49-SR-75M	75 m	75 m	Nolu-SR	Dark Grey



Code

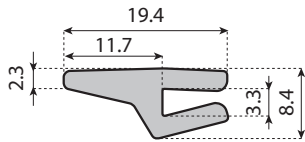
Ref.

Code	Ref.			Material	
19S00042NSR-30M	VG-NG50-SR-30M	30 m	30 m	Nolu-SR	Dark Grey
19S00042NSR-75M	VG-NG50-SR-75M	75 m	75 m	Nolu-SR	Dark Grey



NECK GUIDES FOR PET CONTAINERS

 Preferred type, readily available (codes marked in red)



Code

Ref.



19S00043NSR-75M

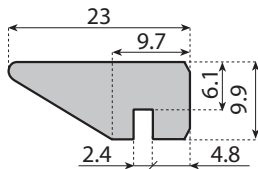
VG-NG81-SR-75M

75 m

75 m

Nolu-SR

Dark Grey



Code

Ref.



19S00038NSR-30M

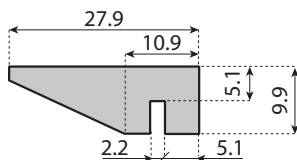
VG-NG91-SR-30M

30 m

30 m

Nolu-SR

Dark Grey



Code

Ref.



19S00039NSR-30M

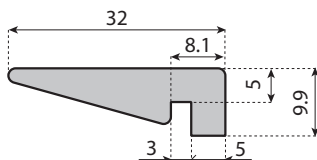
VG-NG110-SR-30M

30 m

30 m

Nolu-SR

Dark Grey



Code

Ref.



19S00037NSR-30M

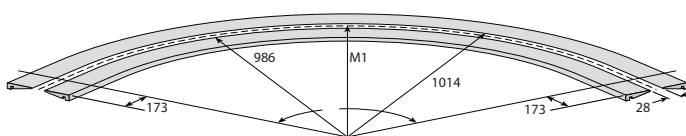
VG-NG125-SR-30M

30 m

30 m

Nolu-SR

Dark Grey



Code

Ref.



19S00044NSR

VG-NG125-SR-1M28

n°1+1


Nolu-SR

Dark Grey

NECK GUIDE CURVE

GUIDES FOR PET BOTTLES

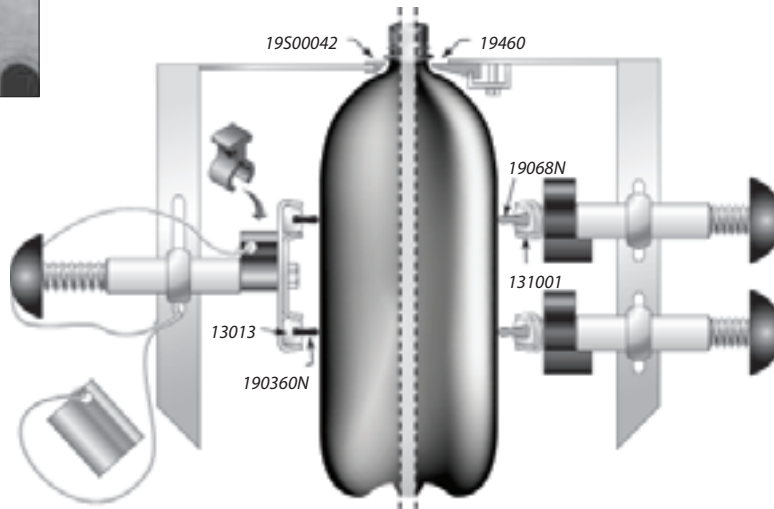


 Preferred type, readily available (codes marked in red)

*Low friction,
non-marking!
More sanitary*

GUIDES FOR PET BOTTLES

Aluminum guide rail with Nolu-s insert is used to guide containers, especially PET and HDPE, in application such as air conveying. Many air conveyor users and manufacturers have found that brush guides tend to get contaminated with debris, which causes increased friction and marking of PET bottles. Nolu-S is the perfect combination of extremely low friction in a tough UHMW based material. Nolu-S will not mark bottles while allowing faster speeds and greater throughput.



Nolu-S



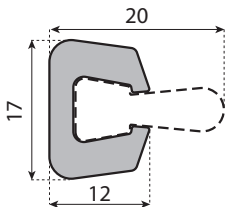
Aluminium





Consult pages 105 → 109 for bending machines

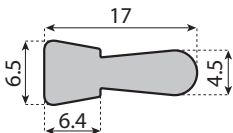





Accessories

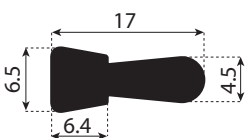





Code	Ref.			Material
19S00009-3M	VG-ABG-3M	3 m	30 m	AL
19S00009-6M	VG-ABG-6M	6 m	60 m	

*Reduced
Splices!*



Code	Ref.			Material	
19S00079NS-30M	VG-PBG7-NS-30M	30 m	30 m	Nolu-S	Light Grey



Code	Ref.			Material	
19S00079NSD-30M	VG-PBG7-NSD-30M	30 m	30 m	Nolu-S antistatic	Black



Nolu-S antistatic

 Preferred type, readily available (codes marked in red)



Nolu-S
antistatic



Nolu-S



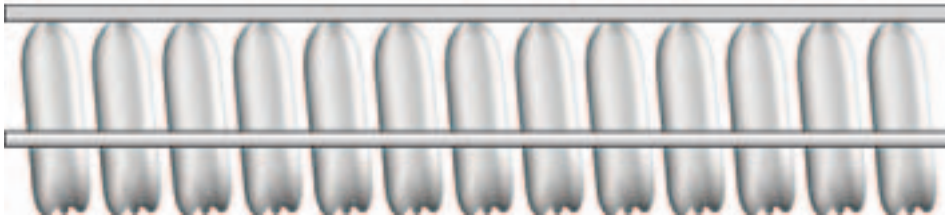
Aluminium



[Consult pages](#)
105 → 109 for
[bending machines](#)



[Accessories](#)



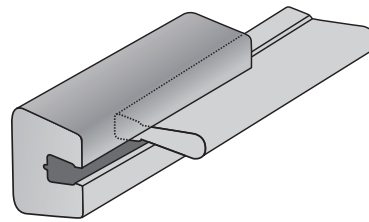
NOLU-S

Nolu-SR neck guides and **Nolu-S** body guides, with an ultra low coefficient of friction, reduces the degree of bottle tilt and the corresponding wear problems.

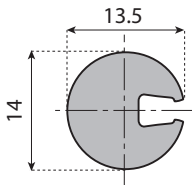


OTHER GUIDES

Other guides (especially brushes), when contaminated, can cause irregular tilt and orientation of the bottles, resulting in blockage at curves or inclines.



*Low friction.
non-marking!
More sanitary*



Code



Material

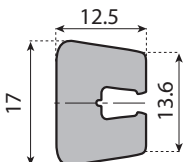
190475

0.50

3 m

30 m

Aluminium



Code



Material

19094
19094L

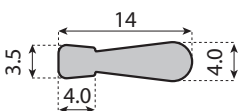
0.50

3 m
6 m

30 m
60 m

Aluminium

*Reduced
Splices!*



Code

Ref.



Material



19S00078NS-30M
19S00078NSD-30M

VG-PBG5-NS-30M
VG-PBG5-NSD-30M

30 m

30 m

Nolu-S
Nolu-S antistatic

Light Grey
Black

PRODUCT GUIDES

 Preferred type, readily available (codes marked in red)



Polyethylene
UHMW



Anodized
aluminium



Accessories



Consult pages
105 to 109 for
bending machines

GUIDE RAILS

Material:

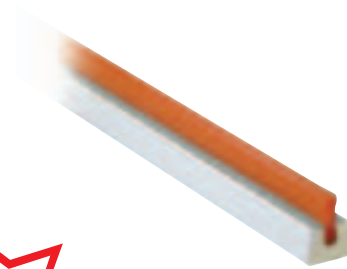
- Metal profile in anodized aluminium.
- Extruded profile in UHMWPE.

Characteristics:

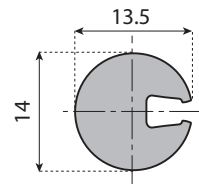
- Very low friction coefficient.
- High resistance to chemical agents.

Notes: Aluminium profile and plastic profile are supplied assembled.

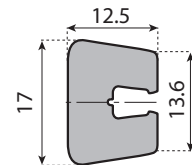
Application: as side guides for air conveyor and standard conveyor.



Code	Kg/m	L		Material
190475	0.50	3 m	30 m	Aluminium

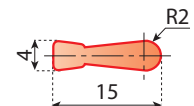


Code	Kg/m	L		Material
19094	0.50	3 m	30 m	Aluminium
19094L		6 m	60 m	



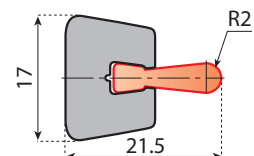
EXTRUDED PROFILE

Code	Kg/m			
19068N	0.09	60 m	60 m	Black
19068NA				Antistatic Black
19068P				Yellow
19068				Orange
19068W				White



ASSEMBLED GUIDE RAILS

Code	Kg/m	L		
190360N	0.59	3 m	30 m	Black
190360NL		6 m		



Other assemblies of aluminium and extruded profiles can be made on request and for adequate quantities.

 Preferred type, readily available (codes marked in red)



Polyethylene
UHMW



Brushes



Anodized
aluminium



Accessories



Consult pages
105 → 109 for
bending machines

GUIDE RAIL

Material:

- Metal profile in anodized aluminium.
- Brushes profile in natural fibres.

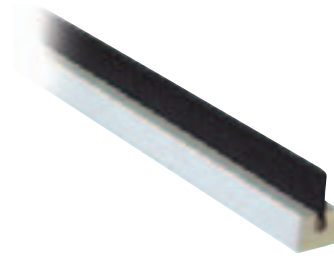
Characteristics:

- Very low friction coefficient.

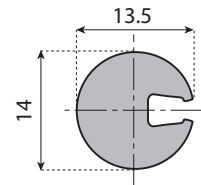
Supply:

- 3 meter.
- Aluminium profile and brushes profile are supplied assembled.

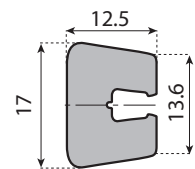
Application: as side guides for air conveyor.



Code	Kg/m	L	Material
190475	0.50	3 m	Aluminium

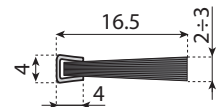


Code	Kg/m	L	Material
19094	0.50	3 m	Aluminium



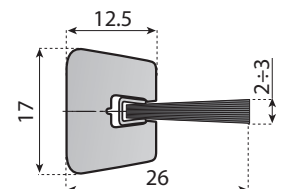
BRUSHES PROFILE

Code	Kg/m	L	Material
190365	0.09	3 m	



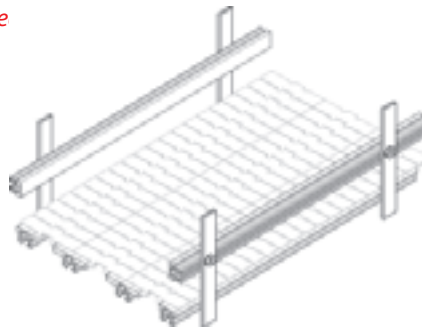
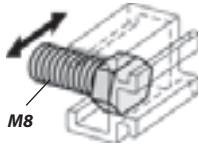
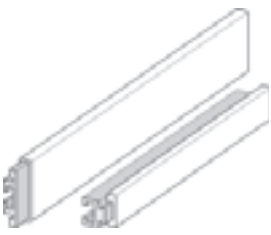
ASSEMBLED GUIDE RAILS

Code	Kg/m	L	Material
190366	0.59	3 m	



ALUMINIUM GUIDE RAIL

 Preferred type, readily available (codes marked)



Anodized Aluminium



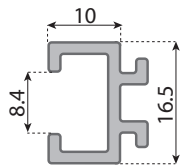
Aluminium



Polyethylene UHMW



[Consult pages 105 → 109 for bending machines](#)



Code

Ref.



19S00210-3M
19S00210-6M

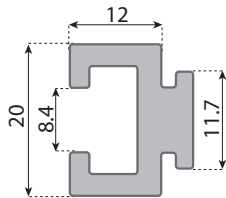
VG-A225-3M
VG-A225-6M

3 m

30 m

Al

-



Code

Ref.



19S00216-3M
19S00216-6M
19S00212-3M
19S00212-6M

VG-A600-3M
VG-A600-6M
VG-A600A-3M
VG-A600A-6M

3 m

30 m

Al

6 m

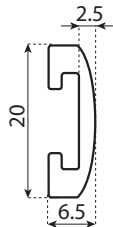
60 m

Al

Al-a

-

-



Code

Ref.



19S00025-3M
19S00025-6M
19S00025-30M

VG-P813-3M
VG-P813-6M
VG-P813-30M

3 m

-

30 m

6 m

-

60 m

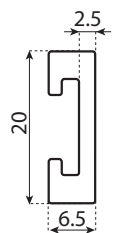
PE

White

-

30 m

30 m



Code

Ref.



19S00026-3M
19S00026-6M
19S00026-30M

VG-P813F-3M
VG-P813F-6M
VG-P813F-30M

3 m

-

30 m

6 m

-

60 m

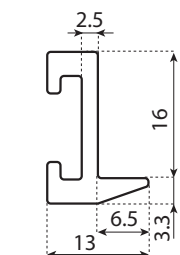
PE

White

-

30 m

30 m



Code

Ref.



19S00032-3M

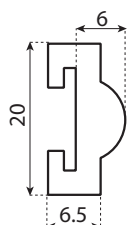
VG-P0808-3M

3 m

30 m

PE

White



Code

Ref.



19S00033-3M

VG-P611-3M

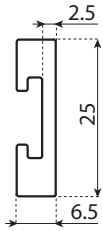
3 m



30 m

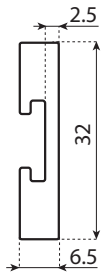
PE




White

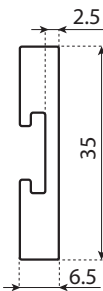
 Preferred type, readily available (codes marked in red)



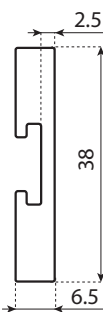
Code	Ref.			Material	
19S00034-3M	VG-P816F-3M	3 m	30 m	PE	White
19S00034-6M	VG-P816F-6M	6 m	60 m		






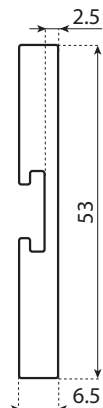
Code	Ref.			Material	
19S00031-3M	VG-P820F-3M	3 m	30 m	PE	White
19S00031-6M	VG-P820F-6M	6 m	60 m		



Code	Ref.			Material	
19S00027-3M	VG-P822F-3M	3 m	30 m	PE	White
19S00027-6M	VG-P822F-6M	6 m	60 m		



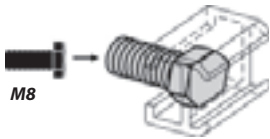
Code	Ref.			Material	
19S00022-3M	VG-P824F-3M	3 m	30 m	PE	White
19S00022-6M	VG-P824F-6M	6 m	60 m		



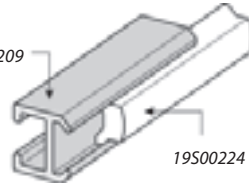
Code	Ref.			Material	
19S00028-3M	VG-P834F-3M	3 m	30 m	PE	White
19S00028-6M	VG-P834F-6M	6 m	60 m		

ALUMINIUM GUIDE RAIL

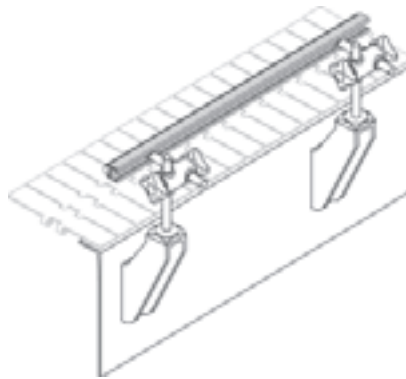
 Preferred type, readily available (codes marked in red)



19S00209



19S00224



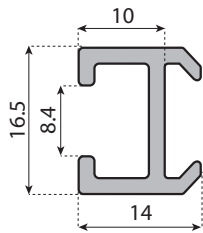
Aluminium



Polyethylene UHMW



Consult pages 105 → 109 for bending machines



Code

Ref.



Material



19S00209-3M
19S00209-6M

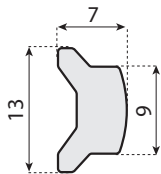
VG-A350-3M
VG-A350-6M

3 m
6 m

30 m
60 m

AL

-



Code

Ref.



Material



19S00224-3M
19S00224-6M

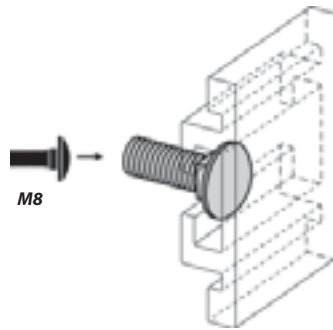
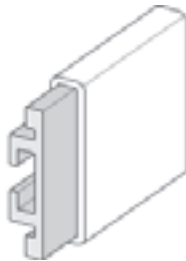
VG-P350-3M
VG-P350-6M

3 m
6 m

30 m
60 m

PE

White



M8



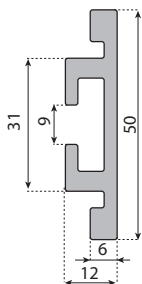
Aluminium



Polyethylene UHMW



Consult pages 105 → 109 for bending machines



Code

Ref.



Material



19S00211-3M
19S00211-6M

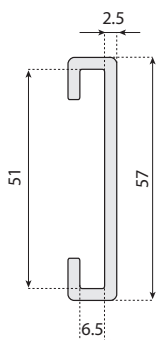
VG-A2520-3M
VG-A2520-6M

3 m
6 m

30 m
60 m

AL

-



Code

Ref.



Material



19S00226-3M
19S00226-6M

VG-P2520BC-3M
VG-P2520BC-6M

3 m
6 m

30 m
60 m

PE

White

 Preferred type, readily available (codes marked in red)



AISI 304
Stainless steel



Polyethylene
UHMW



Accessories



Zinc plated steel

STANDARD GUIDE RAILS

Material:

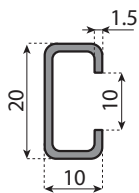
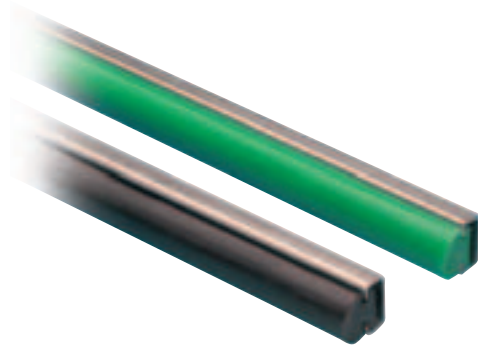
- Metal profile, see the table.
- Plastic profile in UHMWPE.

Characteristics:




- Very low friction coefficient.
- Moderate resistance to chemical agents.
- No liquid absorption.

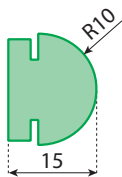
Supply:

- 3 or 6 meters.







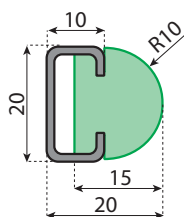
METAL PROFILE

Code				Material
16450	0.40	3 m	30 m	S/S AISI 304
16450L		6 m		
16449	0.40	3 m	30 m	Zinc plated steel
16449L		6 m		






EXTRUDED PROFILE

Code				
19083	0.28	3 m	30 m	Green
19083L		6 m		
19084	0.28	3 m	30 m	Black
19084L		6 m		

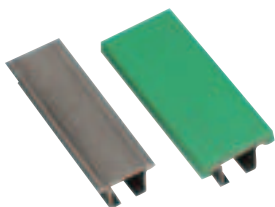


STANDARD GUIDE RAILS

Notes: the metal profile and plastic profile are supplied assembled.

Code			Metal profile material	
19035	3 m	30 m	S/S 304	Green
19035L	6 m			Green
19036	3 m	30 m	Zinc plated steel	Black
19036L	6 m			Black
19046	3 m	30 m	Zinc plated steel	Green
19046L	6 m			Green
19047	3 m	30 m	Zinc plated steel	Black
19047L	6 m			Black

 Preferred type, readily available (codes marked in red)



GUIDE RAILS

Material:

- Metal profile, see the table.
- Plastic profile in UHMWPE.

Characteristics:

- Very low friction coefficient.
- High resistance to chemical agents.
- No liquid absorption.

Supply:

- 3 or 6 meters.
- Steel profile and plastic profile are supplied assembled.



Polyethylene
UHMW



Polyethylene
antistatic
UHMW



AISI 304
Stainless steel



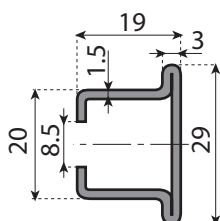
AISI 430
Stainless steel



Accessories



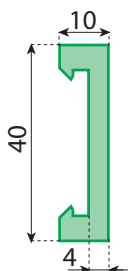
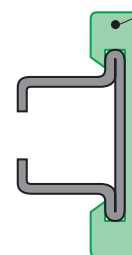
Consult pages
105 → 109 for
bending machines



METAL PROFILE

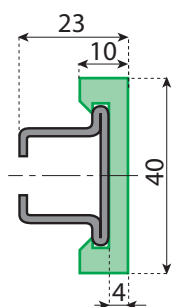
Code	Kg/m	L	Material
19048C	0.90	3 m	S/S 304
19048		6 m	
19048KC	0.90	3 m	S/S 430
19048K		6 m	

These profiles are applicable
to code 19048 - 19048C
cod. **19070 - 19071**



EXTRUDED PROFILE

Code	Kg/m	L	Material	Color	
19071C	0.20	3 m	PE	Black	
19071		6 m	PE	Black	
19071NS		6 m	Nolu-S	Grey	
19070C		3 m	PE	Green	
19070		6 m	30 m	PE	Green
19070BC		3 m	PE	White	
19070B		6 m	PE	White	
19071ASC		3 m	PE-a	Black	
19071AS		6 m	PE-a	Black	



GUIDE RAILS

Notes: the steel profile and wear strip are supplied assembled.

Code	Kg/m	L	Plastic profile material	Metal profile material	Color	
19063NC	1.10	3 m	PE		Black	
19063N		6 m	PE		Black	
19063VC		3 m	PE		Green	
19063V		6 m	30 m	PE		Green
19063BC		3 m	PE	S/S 304		White
19063B		6 m	PE			White
19063ASC		3 m	PE-a			Black
19063AS		6 m	PE-a			Black
19063KNC		3 m	PE			Black
19063KN		6 m	PE			Black
19063KVC	3 m	PE			Green	
19063KV	6 m	30 m	PE	S/S 430	Green	
19063KBC	1.10	3 m	PE		White	
19063KB	6 m	PE			White	
19063KASC	3 m	PE-a			Black	
19063KAS	6 m	PE-a			Black	

 Preferred type, readily available (codes marked in red)

GUIDE RAILS

Material:

- Metal profile in anodized aluminium.
- Plastic profile in UHMWPE.

Characteristics:

- Very low friction coefficient.
- High resistance to chemical agents.
- No liquid absorption.

Supply:

- 3 or 6 meters.
- Metal profile and guide rails are supplied assembled.



Polyethylene UHMW



Polyethylene antistatic UHMW



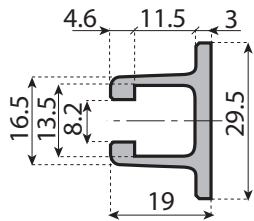
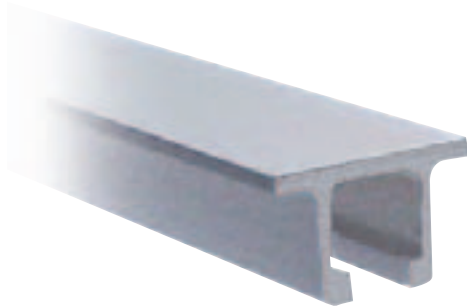
Anodized aluminium



Accessories



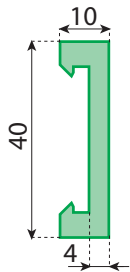
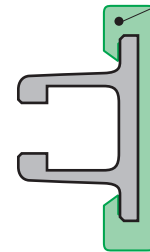
Consult pages 105 → 109 for bending machines



ALUMINIUM PROFILE

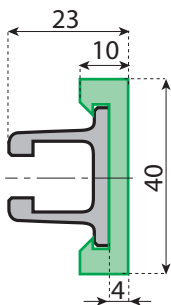
Code	Kg/m	L		Material
19097L		3 m		
19097	0.50	6 m	30 m	Al-a

These profiles are applicable to code 19097 - 19097L cod. **19070 - 19071**



EXTRUDED PROFILE

Code	Kg/m	L		Material	
19071C		3 m		PE	Black
19071		6 m		PE	Black
19071NS		6 m		Nolu-S	Grey
19070C		3 m		PE	Green
19070	0.20	6 m	30 m	PE	Green
19070BC		3 m		PE	White
19070B		6 m		PE	White
19071ASC		3 m		PE-a	Black
19071AS		6 m		PE-a	Black



GUIDE RAILS

Supply: 3 or 6 meters.
Packaging: 30 meters.
Notes: the aluminium profile and guide rails are supplied assembled.

Code	Kg/m	L		Plastic profile material	Metal profile material	
19098N		3 m		PE		Black
19098NL		6 m		PE		Black
19098V		3 m		PE		Green
19098VL	0.70	6 m	30 m	PE	AL-a	Green
19098B		3 m		PE		White
19098BL		6 m		PE		White
19098AS		3 m		PE-a		Black
19098ASL		6 m		PE-a		Black

 Preferred type, readily available (codes marked in red)



Polyethylene
500.000



Accessories



Consult pages
105 → 109 for
bending machines

GUIDE RAILS (Flat type)

Material:

- Polyethylene PE 500.000.

Characteristics:





- They can be bent or calendered by means of usual systems or using bending machines code 19037 or 19044.
- Coefficient of linear expansion: 2.5×10^{-4} .
- Temperature range for continuous use in air: $-35^{\circ}\text{C} \div +70^{\circ}\text{C}$.
- Min. bending radius: 200 mm.

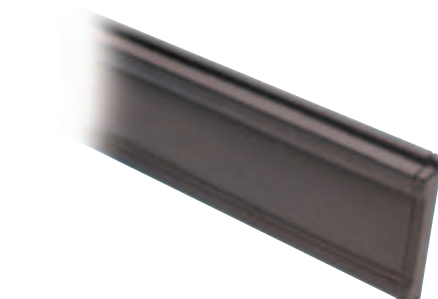
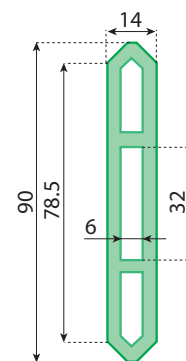
Notes: when sealing the ends a 2 mm space must be left between the silicone and the end of the bar to compensate for linear contraction of the guide rail at low temperatures.



FLAT GUIDE





Characteristics: To use this guide, a 30x5 mm steel bar should be inserted

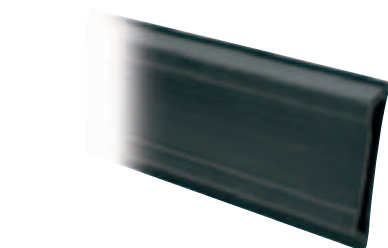
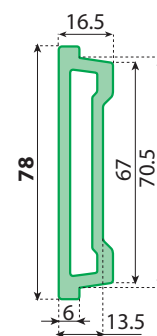
Code	 Kg/m	 L		Material	
19098L	0.60	3 m		PE	Green
19098		6 m	30 m	500.000	



SIDE GUIDE





Characteristics: To use this guide, a 60x6 mm steel bar or double M-Profile should be inserted.

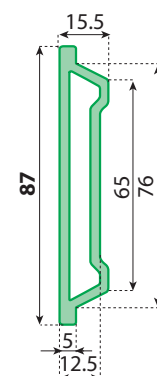
Code	 Kg/m	 L		Material	
19082L		3 m			Black
19082		6 m			Black
19082BL	0.60	3 m	30 m	PE	Light blue
19082B		6 m		500.000	Light blue
19082VL		3 m			Green
19082V		6 m			Green



SIDE GUIDE

Characteristics: To use this guide, a 60x6 mm steel bar or double M-Profile should be inserted.

Code	 Kg/m	 L		Material	
19050L		3 m			Black
19050		6 m			Black
19050AL	0.60	3 m	30 m	PE	Light blue
19050A		6 m		500.000	Light blue
19050VL		3 m			Green
19050V		6 m			Green



 Preferred type, readily available (codes marked in red)



Consult pages
105 → 109 for
bending machines



Polyethylene
UHMW



Accessories

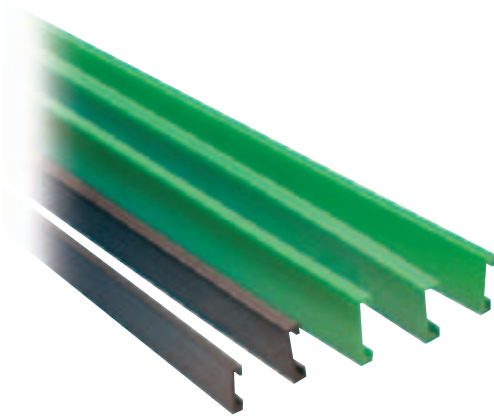


Nolu-S

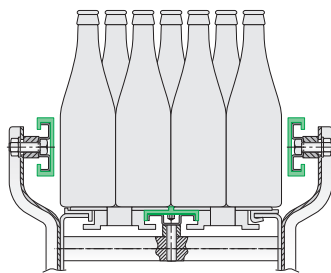
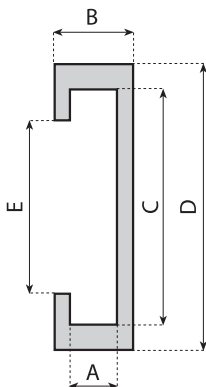
GUIDE RAILS






Material:

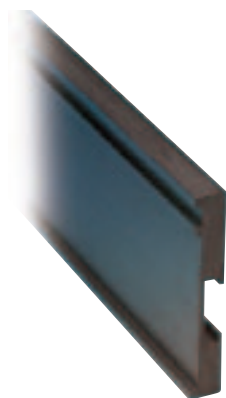
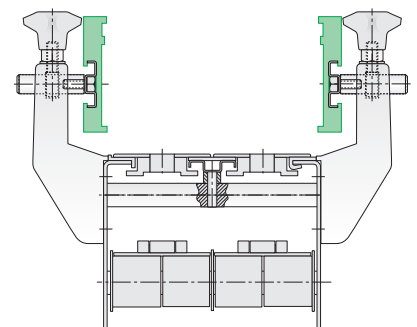
Extruded ultra high molecular weight polyethylene.
Max. continuous service temperature in air 90°C.
Water absorption coefficient = 0.



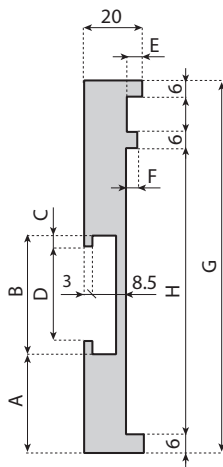
SIDE GUIDES






Code	A	B	C	D	E					
19054N							3 m		PE	Black
19054NL	3.5	10	30.5	40	20	0.20	6 m	30 m	PE	Black
19054V							3 m		PE	Green
19054VL							6 m		PE	Green
19080N							3 m		PE	Black
19080NL	6.5	12	41	50	30	0.23	6 m	30 m	PE	Black
19080V							3 m		PE	Green
19080VL							6 m		PE	Green
19053N							3 m		PE	Black
19053NL	8.5	14	41	50	27.5	0.25	6 m	30 m	PE	Black
19053V							3 m		PE	Green
19053VL							6 m		PE	Green
19081N							3 m		PE	Black
19081NL	10.5	16	41	50	35	0.27	6 m	30 m	PE	Black
19081V							3 m		PE	Green
19081VL							6 m		PE	Green
19052N							3 m		PE	Black
19052NL	7	13	51	58	38	0.27	6 m	30 m	PE	Black
19052V							3 m		PE	Green
19052VL							6 m		PE	Green
19052NS							6 m		Nolu-S	Grey
19092N							3 m		PE	Black
19092NL	6	14	82	90	61.5	0.33	6 m	30 m	PE	Black
19092V							3 m		PE	Green
19092VL							6 m		PE	Green



SIDE GUIDE FOR LABELLING BOTTLE



Code	A	B	C	D	E	F	G	H			
19085N											Black
19085V	35	41	5.5	30	4	2	105	68	2 m	30 m	Green
19086N											Black
19086V	35	41	5.5	30	4	2	110	73	2 m	30 m	Green
19087N											Black
19087V	35	41	5.5	30	4	2	115	80	2 m	30 m	Green
19088N											Black
19088V	35	41	5.5	30	4	2	117	75	2 m	30 m	Green
19089N											Black
19089V	35	41	4.5	32	5	3.5	130	100	2 m	30 m	Green

 Preferred type, readily available (codes marked in red)



Polyethylene
UHMW



Accessories

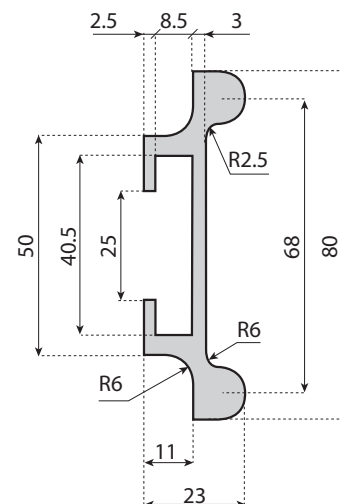
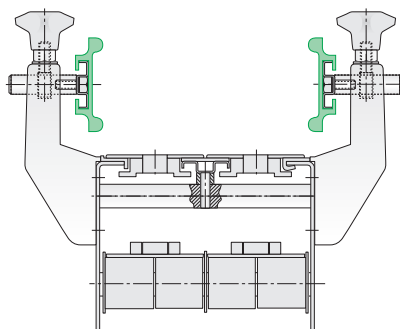
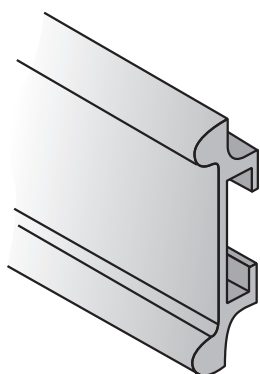
GUIDE RAILS

Material:

Extruded ultra high molecular weight polyethylene.

Max. continuous service temperature in air 90° C.

Water absorption coefficient = 0.



SIDE GUIDE

Code

19090
19090V



0.55



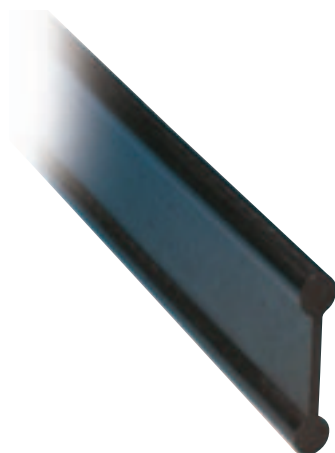
3 m



30 m



Black
Green



SIDE GUIDE

Code

19051
19051V



0.72



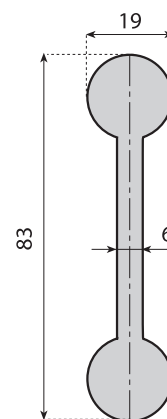
3 m



30 m



Black
Green



 Preferred type, readily available (codes marked in red)

GUIDE RAILS

Material:

- Round profile in stainless steel AISI 303.
- Plastic profile in UHMWPE.



Polyethylene
UHMW



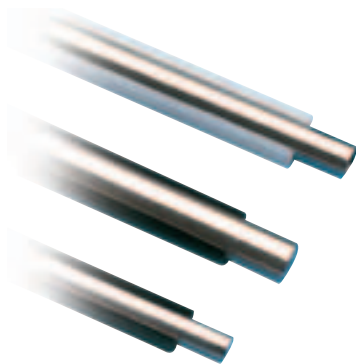
303 Stainless steel



[Accessories](#)

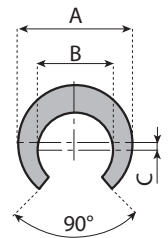


[Consult pages
105 → 109 for
bending machines](#)



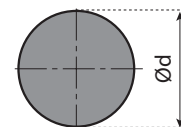
SIDE GUIDE

Code	A	B	C	For rod Ø (mm)	Kg/m			
19055	12	8	0.3	8	0.05			Black
19055B	12	8	0.3	8	0.05			White
19061	14	10	0.5	10	0.06			Black
19061B	14	10	0.5	10	0.06	30 m	30 m	White
19056	15.5	12	1	12	0.07			Black
19056B	15.5	12	1	12	0.07			White



ROUND PROFILE

Code	Ø d	L		Material
190390	8			
190391	10			
190392	12	3 m	30 m	SS 303
190393	14			
190394	16			



ACCESSORIES FOR GUIDE RAILS

 Preferred type, readily available (codes marked in red)



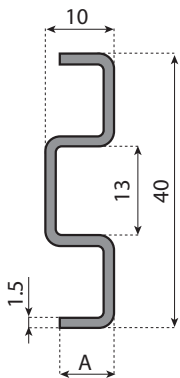
Accessories






AISI 304
Stainless steel

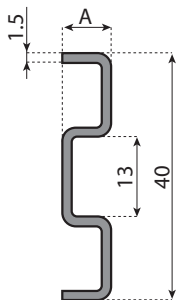


Consult pages
105 → 109 for
bending machines






M-PROFILE

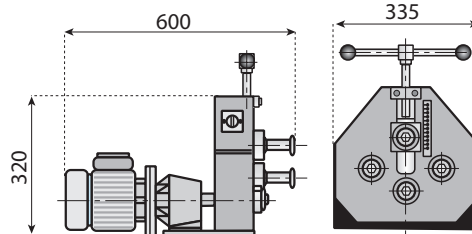
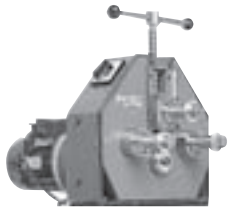
Code	A	 Kg/m	 L		Material
19077	6	0.74	3 m		
19077L	6	0.74	6 m		
19078	8	0.78	3 m	30 m	SS 304
19078L	8	0.78	6 m		
19079	10	0.82	3 m		
19079L	10	0.82	6 m		



M-PROFILE

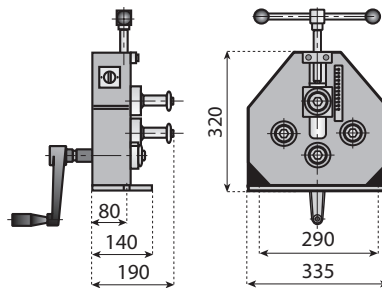
Code	A	 Kg/m	 L		Material
190265	8	0.74	3 m	30 m	SS 304
190265L			6 m		

 Preferred type, readily available (codes marked in red)



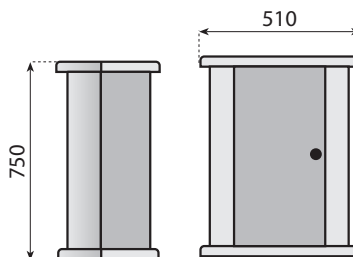
Code

19044



Code

19037



Code

19044SB

MOTORIZED BENDING MACHINE

Technical features:

- Millimeter and decimal reading for pressing roller adjustment.
- Tempered shafts mounted on double supports and rotating on opposing tapered roller bearings.
- Hardened and tempered sliding blocks located on the machine casing.
- Shaft diameter 25 mm.
- Main motor V. 380-50 Hz.
- Approximate weight 100 Kg.

MANUAL BENDING MACHINE

Technical features:

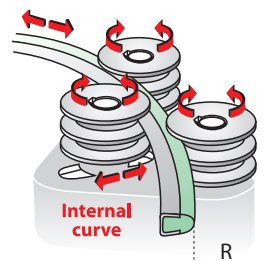
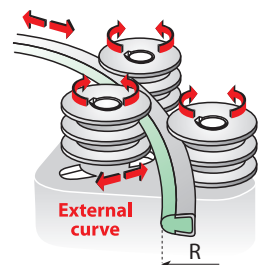
- Millimeter and decimal reading for pressing roller adjustment.
- Tempered shafts mounted on double supports and rotating on opposing tapered roller bearings.
- Hardened and tempered sliding blocks located on the machine casing.
- Shaft diameter 25 mm.
- Approximate weight 35 Kg.

IMPORTANT: the bending machines are supplied without rollers, these must be ordered separately according to the guide rail type (see table).


Series of bending rollers

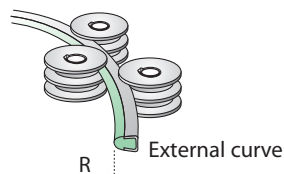
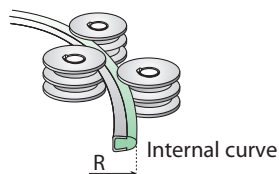
METHOD OF BENDING

- 1 - Select the rollers designed specifically to bend the style rail desired and assemble to the machine.
- 2 - Determine the radial length of the desired curve and mark the rail to show the beginning and end of the curve.
- 3 - Center the portion of the rail in the machine and snug up the center wheel. Turn the crank 1 to 2 turns and rotate the gear box handle until the mark at one end is slightly past the contact point of the center wheel.
Repeat this at the other end.
- 4 - Repeat Step 3.
- 5 - Center the turn section in the machine again and turn the center wheel crank inward a maximum of 2 turns.
Rotate the gear box handle, this time until each mark reaches the contact of the center wheel.
- 6 - Repeat Step 5 until the desired curve is completed.



ROLLERS FOR BENDING MACHINE


 Preferred type, readily available
(codes marked in red)

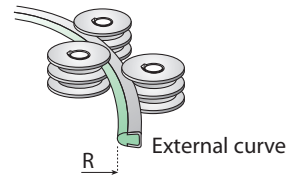
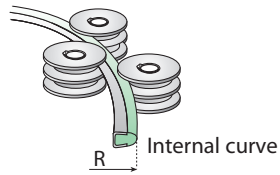


Types of guides to be bent

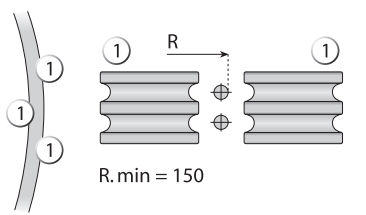
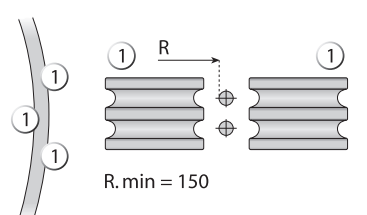
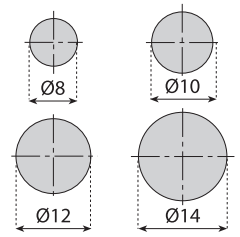
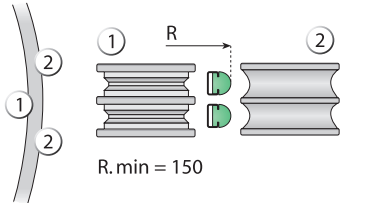
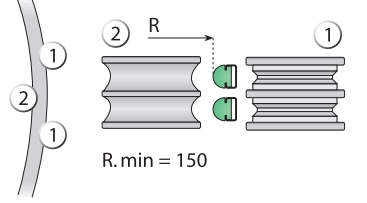

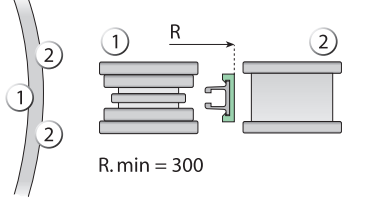
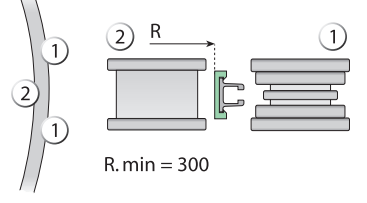
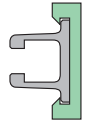
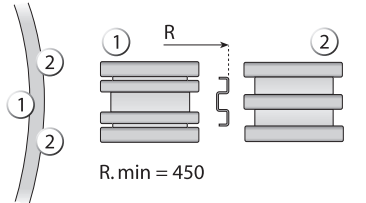
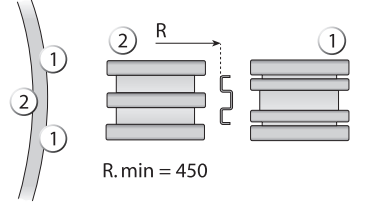
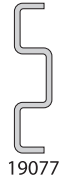
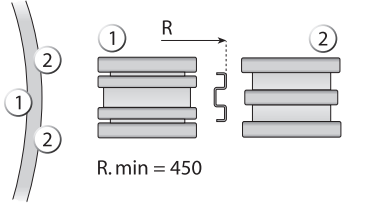
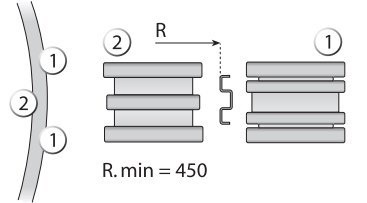
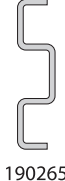
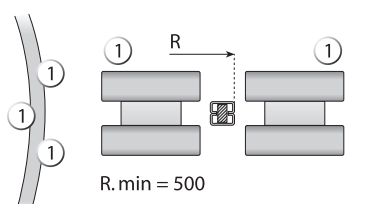
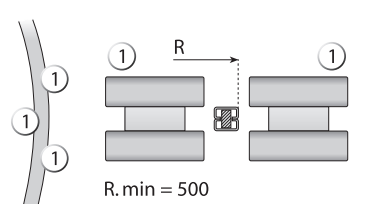

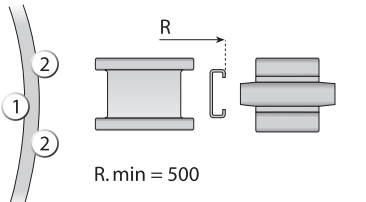
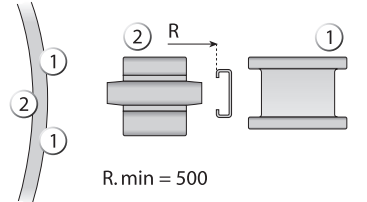
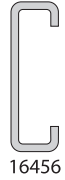
<p>Code 19500</p> <p>No. of rollers 2 + 2</p>	<p>R.min = 145</p>	<p>R.min = 145</p>	
<p>Code 19507</p> <p>No. of rollers 3</p>	<p>R.min = 160</p>	<p>R.min = 160</p>	
<p>Code 19499</p> <p>No. of rollers 3</p>	<p>R.min = 450</p>	<p>R.min = 450</p>	
<p>Code 19503</p> <p>No. of rollers 2 + 2</p>	<p>R.min = 200</p>	<p>R.min = 200</p>	
<p>Code 19498</p> <p>No. of rollers 3</p>	<p>R.min = 160</p>	<p>R.min = 160</p>	
<p>Code 19524</p> <p>No. of rollers 2 + 2</p>	<p>R.min = 450</p>	<p>R.min = 450</p>	
<p>Code 19504</p> <p>No. of rollers 3</p>	<p>R.min = 200</p>	<p>R.min = 200</p>	

ROLLERS FOR BENDING MACHINE


 Preferred type, readily available
(codes marked in red)

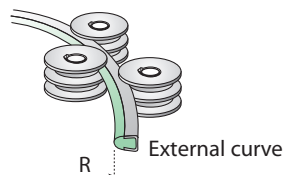
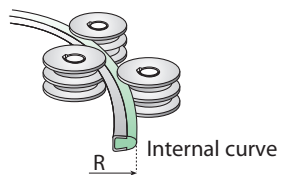


Types of guides to be bent



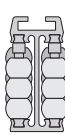



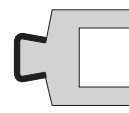
<p>Code 19502</p> <p>No. of rollers 3</p>	 <p>R.min = 150</p>	 <p>R.min = 150</p>	
<p>Code 19501</p> <p>No. of rollers 2 + 2</p>	 <p>R.min = 150</p>	 <p>R.min = 150</p>	 <p>19035</p>
<p>Code 19508</p> <p>No. of rollers 2 + 2</p>	 <p>R.min = 300</p>	 <p>R.min = 300</p>	 <p>19098</p>
<p>Code 19506</p> <p>No. of rollers 2 + 2</p>	 <p>R.min = 450</p>	 <p>R.min = 450</p>	 <p>19077</p>
<p>Code 19525</p> <p>No. of rollers</p>	 <p>R.min = 450</p>	 <p>R.min = 450</p>	 <p>190265</p>
<p>Code 19509</p> <p>No. of rollers 3</p>	 <p>R.min = 500</p>	 <p>R.min = 500</p>	 <p>16450</p>
<p>Code 19505</p> <p>No. of rollers 2 + 2</p>	 <p>R.min = 500</p>	 <p>R.min = 500</p>	 <p>16456</p>

ROLLERS FOR BENDING MACHINE


 Preferred type, readily available
(codes marked in red)

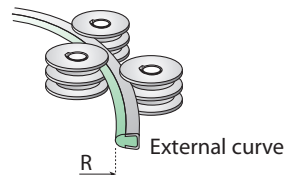
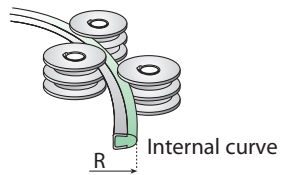


Types of guides to be bent

<p>Code 19511</p> <p>No. of rollers 2 + 2</p>	<p>R.min=305</p>	<p>R.min=305</p>	 16S00001
<p>Code 19512</p> <p>No. of rollers 2 + 2</p>	<p>R.min=305</p>	<p>R.min=305</p>	 16S00100
<p>Code 19513</p> <p>No. of rollers 3</p>	<p>R.min=305</p>	<p>R.min=305</p>	 16S00200 16S00050
<p>Code 19514</p> <p>No. of rollers 2 + 2</p>	<p>R.min=762</p>	<p>R.min=762</p>	 19S00009
<p>Code 19515</p> <p>No. of rollers 2 + 2</p>	<p>R.min=762</p>	<p>R.min=762</p>	 19S00007
<p>Code 19527</p> <p>No. of rollers 2 + 2</p>	<p>R.min=762</p>	<p>R.min=762</p>	 19094
<p>Code 19516</p> <p>No. of rollers 2 + 2</p>	<p>R.min=457</p>	<p>R.min=457</p>	 19S00183

ROLLERS FOR BENDING MACHINE

 Preferred type, readily available
(codes marked in red)



Types of
guides to be bent

<p>Code 19517</p> <p>No. of rollers 2 + 2</p>	<p>R.min=457</p>	<p>R.min=457</p>	<p>19500182</p>
<p>Code 19519</p> <p>No. of rollers 2 + 2</p>	<p>R.min=457</p>	<p>R.min=457</p>	<p>19500035</p>
<p>Code 19520</p> <p>No. of rollers 3</p>	<p>R.min=559</p>	<p>R.min=559</p>	<p>19500083</p>
<p>Code 19521</p> <p>No. of rollers 2 + 2</p>	<p>R.min=102</p>	<p>R.min=102</p>	<p>19500008</p>
<p>Code 19522</p> <p>No. of rollers 2 + 2</p>	<p>R.min=152</p>	<p>R.min=152</p>	<p>19500210 19500212 19500209</p>
<p>Code 19523</p> <p>No. of rollers 2 + 2</p>	<p>R.min=203</p>	<p>R.min=203</p>	<p>19500211</p>

CLAMPS FOR CONICAL SIDE GUIDES

 Preferred type, readily available (codes marked in red)



Nickel plated brass



AISI 303 Stainless steel



Reinforced polyamide



[See pages 76 ➔ 85](#)



[See pages 90 ➔ 93](#)



[See page 182](#)




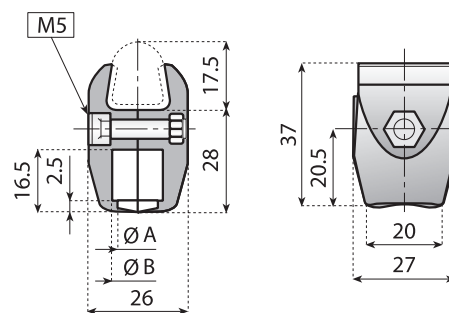
[Consult pages 138 ➔ 142 for rod design](#)



SINGLE CLAMP


Material: clamp in reinforced polyamide, bolt in stainless steel, nut in nickel plated brass.
Supply: assembled.

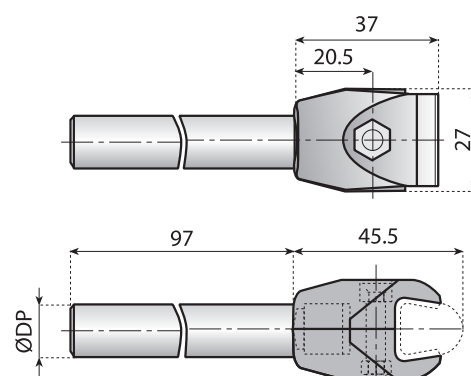
Code	Ø A	Ø B	Type	
13788	10	12	1	n° 50
13006NV	12	13.5	2	



SINGLE CLAMP WITH ROD

Material: clamp in reinforced polyamide, bolt in stainless steel, nut in nickel plated brass, rod in stainless steel AISI 303.
Supply: assembled.

Code	Clamp type	DP	
13789	1	12	n° 50
13190	2	14	
13191	2	16	



CLAMPS FOR CONICAL SIDE GUIDES

 Preferred type, readily available (codes marked in red)



Nickel plated brass



AISI 303 Stainless steel



Reinforced polyamide



See pages 76 → 85



See pages 90 → 93



See page 182



Consult pages 138 → 142 for rod design



SINGLE CLAMP

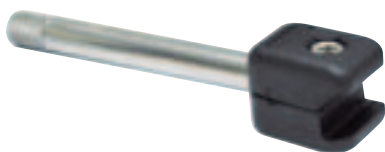
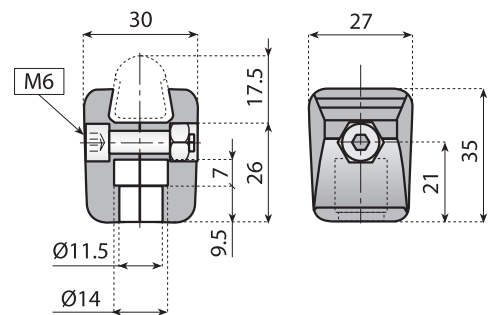
Material: clamp in reinforced polyamide, bolt in stainless steel, nut in nickel plated brass.

Supply: assembled.

Code
13006



n° 50



SINGLE CLAMP WITH ROD

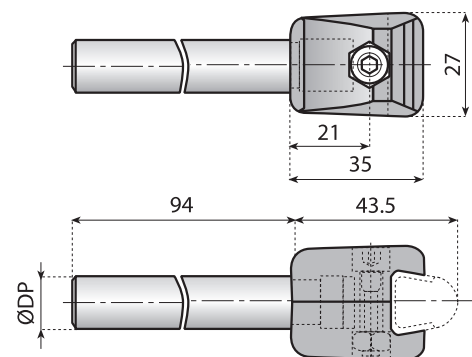
Material: clamp in reinforced polyamide, bolt in stainless steel, nut in nickel plated brass, rod in stainless steel AISI 303.

Supply: assembled.

Code	DP
13192	12
13193	14
13194	16



n° 50



GUIDE RAIL CLAMPS



SINGLE CLAMP WITH ROD

Material: clamp in reinforced polyamide, bolt in stainless steel, nut in nickel plated brass, rod in stainless steel AISI 303.

Supply: assembled.

 Preferred type, readily available (codes marked in red)



Nickel plated brass



AISI 303 Stainless steel



Reinforced polyamide



See pages 76 → 85



See pages 90 → 93



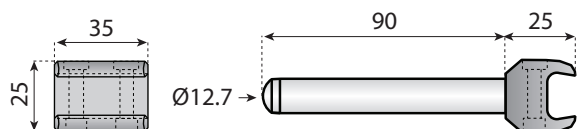
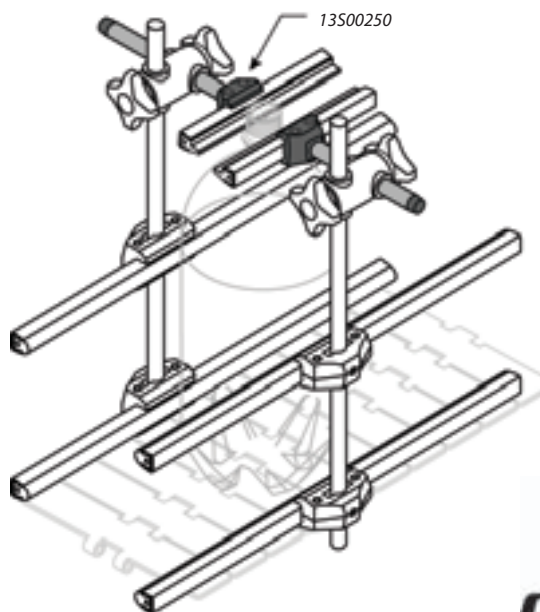
See page 182





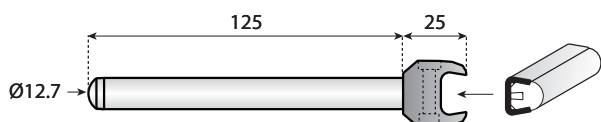
Consult pages 138 → 142 for rod design





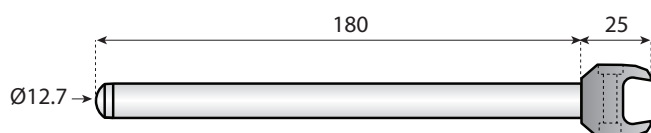
Par. # 5,626,221 (USA)





Code	Ref.		
13S00250	VG-031-12-35	90 mm	n°10



Code	Ref.		
13S00251	VG-031-12-50	125 mm	n°10



Code	Ref.		
13S00252	VG-031-12-70	180 mm	n°10

CLAMPS FOR CONICAL SIDE GUIDES

 Preferred type, readily available (codes marked in red)



Nickel plated brass



AISI 303 Stainless steel



Reinforced polyamide



See pages
76 → 85



See pages
90 → 93



See page
182



Consult pages
138 → 142
for rod design



SINGLE CLAMP WITH BOLT

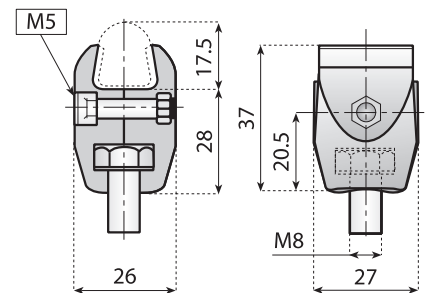
Material: clamp in reinforced polyamide, bolt in stainless steel, nut in nickel plated brass.
Supply: assembled.

Code

13792



n° 50



SINGLE CLAMP WITH ROD

Material: clamp in reinforced polyamide, bolt in stainless steel, nut in nickel plated brass, rod in stainless steel AISI 303.
Supply: assembled.

Code

13793

DP

12

13794

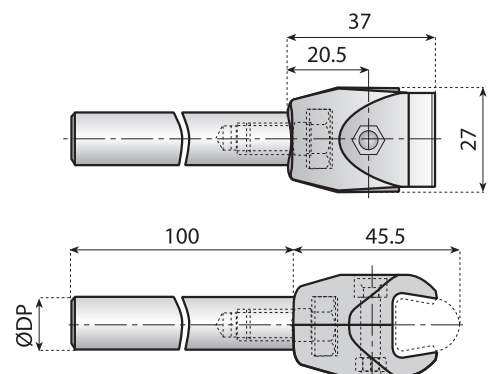
14

13795

16



n° 50



CLAMPS FOR CONICAL SIDE GUIDES

 Preferred type, readily available (codes marked in red)



Nickel plated brass



AISI 303 Stainless steel



Reinforced polyamide



See pages 76 → 85



See pages 90 → 93



See page 182



Consult pages 138 → 142 for rod design



ADJUSTABLE GUIDE RAIL CLAMP

Material: clamp in reinforced polyamide, bolts in stainless steel, nut in nickel plated brass.

Supply: assembled.

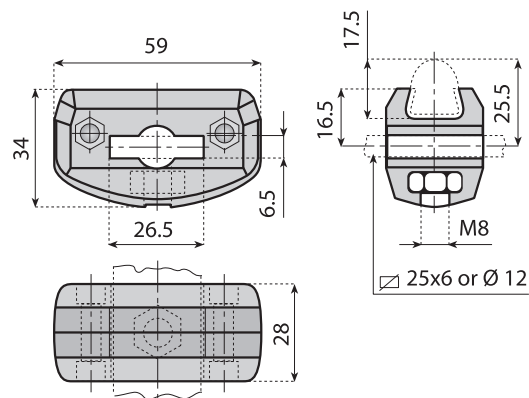
Use: mount on 25x6 flat bar or Ø 12 diameter rod.

Code

13195



n° 50




Quick Claw

PATENT FEATURE

Par. # 6,685,385 (USA)

with special threaded insert



ADJUSTABLE GUIDE RAIL CLAMP

Material: clamp in reinforced polyamide, bolts in stainless steel, nut in nickel plated brass.

Supply: assembled.

Use: mount on 25x6 flat bar or Ø 12 diameter rod.

Code

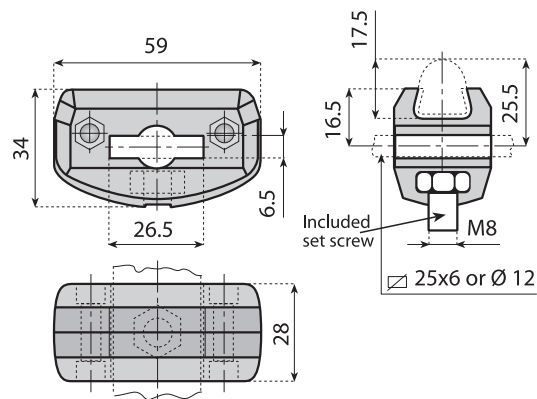
13500346

Ref.

VG-022-01M



n° 50



ADJUSTABLE GUIDE RAIL CLAMP

Material: clamp in reinforced polyamide, bolts in stainless steel, nut in nickel plated brass.

Supply: assembled.

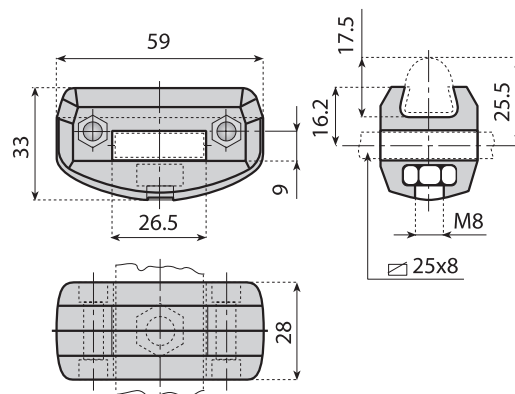
Use: mount on 25x8 flat bar.

Code

13007



n° 50



CLAMPS FOR CONICAL SIDE GUIDES

 Preferred type, readily available (codes marked in red)



Nickel plated brass



AISI 303 Stainless steel



Reinforced polyamide



See pages
76 → 85



See pages
90 → 93



See page
182



Consult pages
138 → 142
for rod design



ADJUSTABLE GUIDE RAIL CLAMP

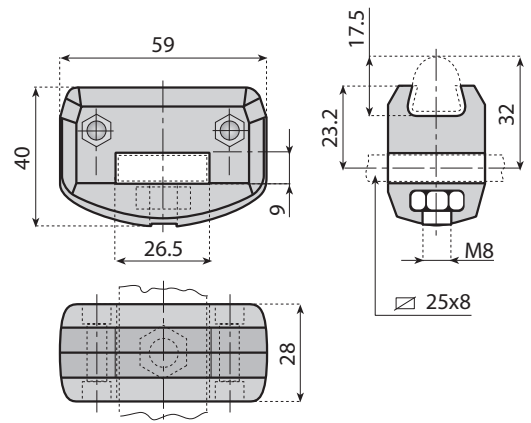
Material: clamp in reinforced polyamide, bolts in stainless steel, nut in nickel plated brass.
Supply: assembled.
Use: mount on 25x8 flat bar.

Code

13196



n° 50



ADJUSTABLE GUIDE RAIL CLAMP

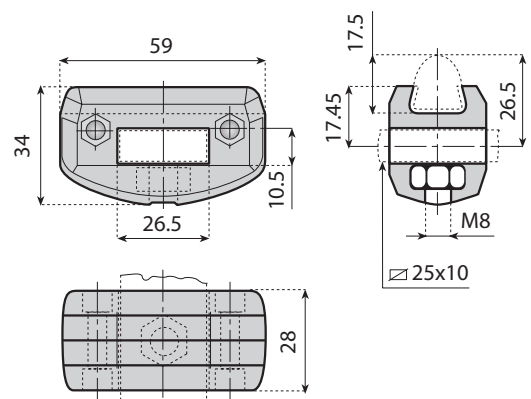
Material: clamp in reinforced polyamide, bolts in stainless steel, nut in nickel plated brass.
Supply: assembled.
Use: mount on 25x10 flat bar.

Code

13197



n° 50



CLAMPS FOR CONICAL SIDE GUIDES

 Preferred type, readily available (codes marked in red)



Nickel plated brass



AISI 303 Stainless steel



Reinforced polyamide



See pages 76 → 85



See pages 90 → 93



See page 182



Consult pages 138 → 142 for rod design



SINGLE CLAMP

Use: it connects guide rail to bracket or rod using a standard M8 cap screw.

Supply: unassembled.

Code
13012

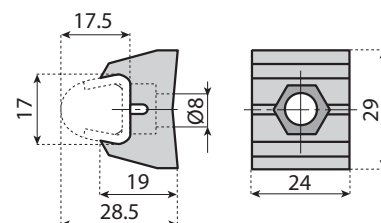


n° 50



Material

PA-FG

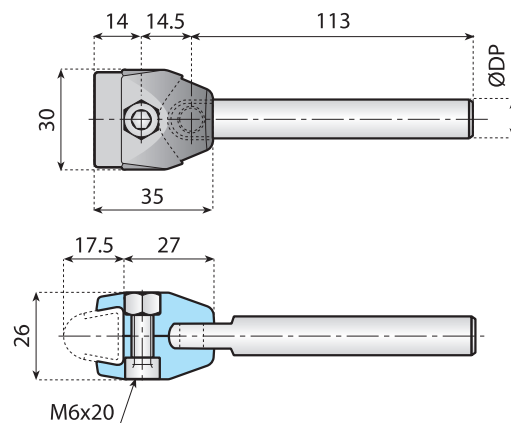


SWIVEL CLAMP

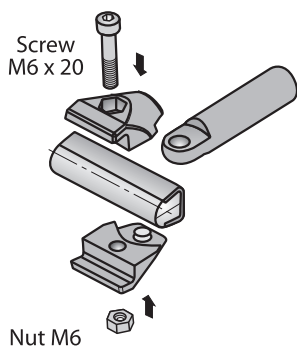
Material: reinforced polyamide. nut, washer and rod in stainless steel.

Supply: unassembled.

Note: code 13167 is supplied without rod.



APPLICATION EXAMPLE



Screw M6 x 20

Nut M6

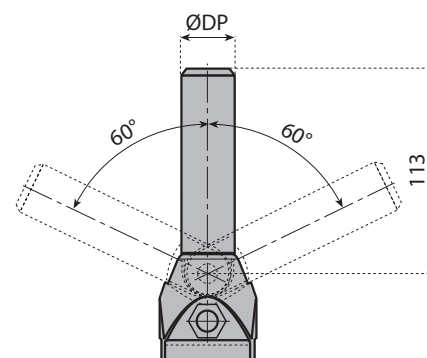
Code
13167
13168
13169
13170

DP

-
12
14
16



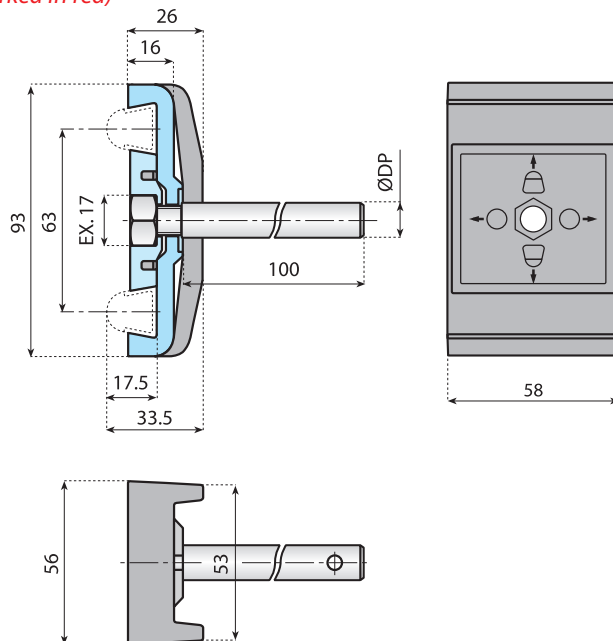
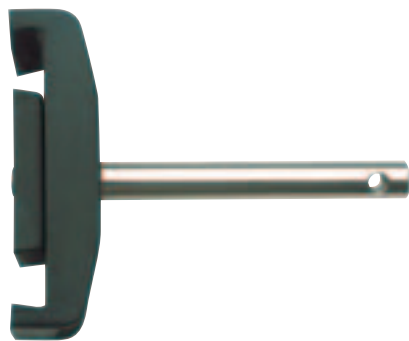
n° 50



This design allows a max. swivel angle of 120°

CLAMPS FOR CONICAL SIDE GUIDES

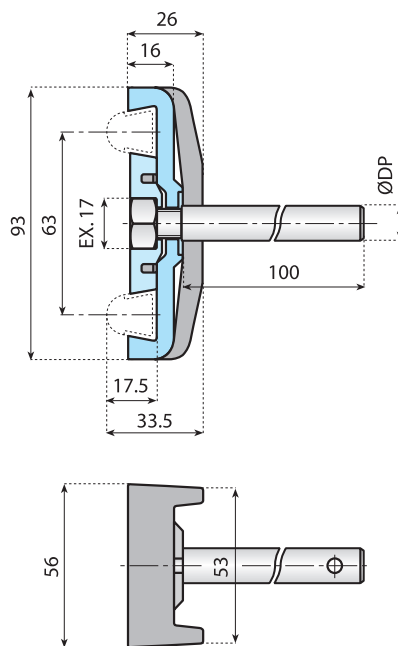
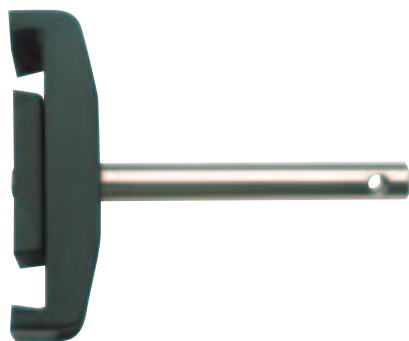
 Preferred type, readily available (codes marked in red)



DOUBLE CLAMP WITH ROD

Material: reinforced polyamide, nut, washer rod in stainless steel.
Supply: unassembled.

Code	Ref.	DP	
13S00500	VG-011-01-P-M10	-	n° 10
13S00502	VG-011-01-P222-100	12	
13S00505	VG-011-01-P224-100	14	
13S00503	VG-011-01-P242-100	10	



DOUBLE CLAMP WITH ROD

Material: reinforced polyamide, nut, washer rod in stainless steel.
Supply: assembled.
Note: code 13008NV is supplied without rod.
Supply: unassembled.

Code	DP	
13008NV	-	n° 50
13009NV	12	
13010NV	14	
13011NV	16	



Nickel plated brass



AISI 303 Stainless steel



Reinforced polyamide



See pages 90 → 93



See page 182



See pages 76 → 85



Consult pages 138 → 142 for rod design

CLAMPS FOR CONICAL SIDE GUIDES AND FOR ROUND GUIDE RAILS

 Preferred type, readily available (codes marked in red)



See page
103



Nickel
plated brass



AISI 303
Stainless steel



Reinforced
polyamide



See pages
76 → 85



See pages
90 → 93



See pages
182



Consult pages
138 → 142
for rod design

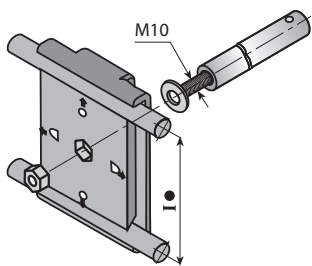
DOUBLE CLAMP

Material: reinforced polyamide, nut, washer and rod in stainless steel.
Codes 13175-13351-13163 are supplied without rod and nut.

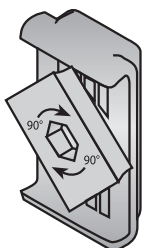
Application: the clamp is designed to be used with either the conical or $\varnothing 12$ mm round guide rails, simply by turning the internal flange plate.

Use: to support rods or conical guide rails with increased centers.

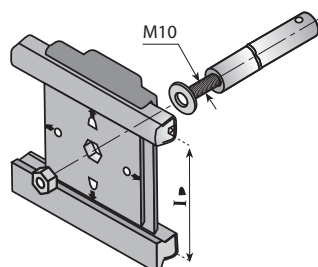
Supply: unassembled.



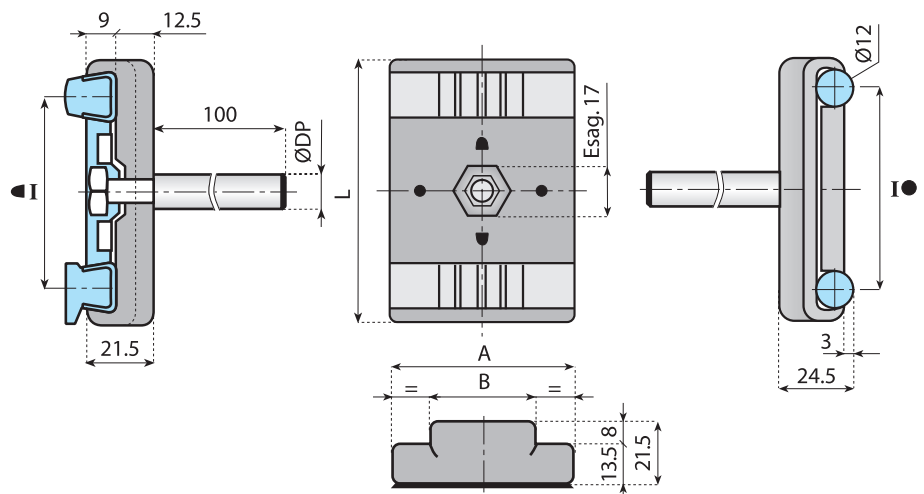
Flange position for assembling
 $\varnothing 12$ mm rod






Rotate center piece 90°



Flange position for assembling
conical side guide



Code			L	A	B	Ø DP	
13175						-	
13176	51	47	70	43	30	12	n° 50
13177						14	
13178						16	
13351						-	
13352	69	65	90	61	35	12	n° 50
13353						14	
13354						16	
13163						-	
13164	89	85	110	80	40	12	n° 50
13165						14	
13166						16	

CLAMPS FOR CONICAL SIDE GUIDES AND FOR ROUND GUIDE RAILS

 Preferred type, readily available (codes marked in red)



See page
103



Nickel
plated brass



AISI 303
Stainless steel



Reinforced
polyamide



See pages
76 → 85



See pages
90 → 93



See pages
182



Consult pages
138 → 142
for rod design

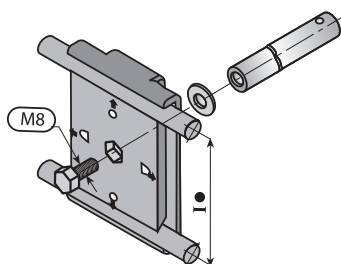
DOUBLE CLAMP

Material: reinforced polyamide, screw, washer and rod in stainless steel.
Codes 13175F - 13351F - 13163F are supplied without rod and screw.

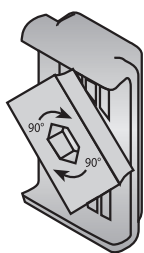
Application: the clamp is designed to be used with either the conical or \varnothing 12 mm round guide rails, simply by turning the internal flange plate.

Use: to support rods or conical guide rails with increased centers.

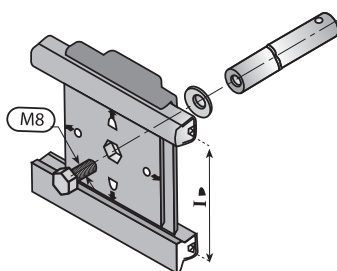
Supply: unassembled.



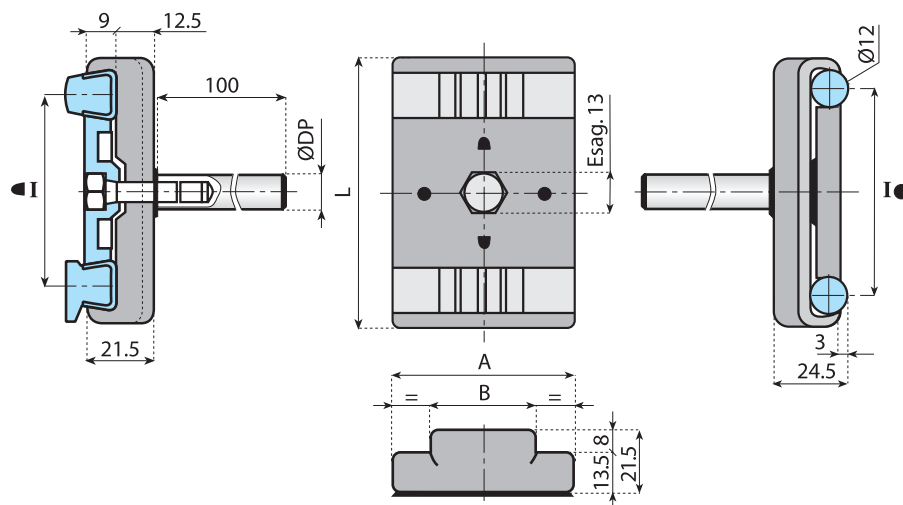
Flange position for assembling
 \varnothing 12 mm rod






Rotate center piece 90°



Flange position for assembling
conical side guide



Code			L	A	B	Ø DP	
13175F						-	
13176F	51	47	70	43	30	14	n° 50
13177F						16	
13178F						16	
13351F						-	
13352F	69	65	90	61	35	12	n° 50
13353F						14	
13354F						16	
13163F						-	
13164F	89	85	110	80	40	12	n° 50
13165F						14	
13166F						16	

CLAMPS FOR CONICAL SIDE GUIDES

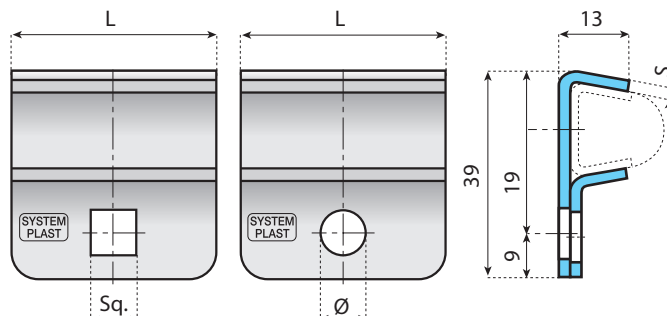
 Preferred type, readily available (codes marked in red)



See pages
76 → 85



AISI 304
Stainless steel




SINGLE RAIL CLAMP

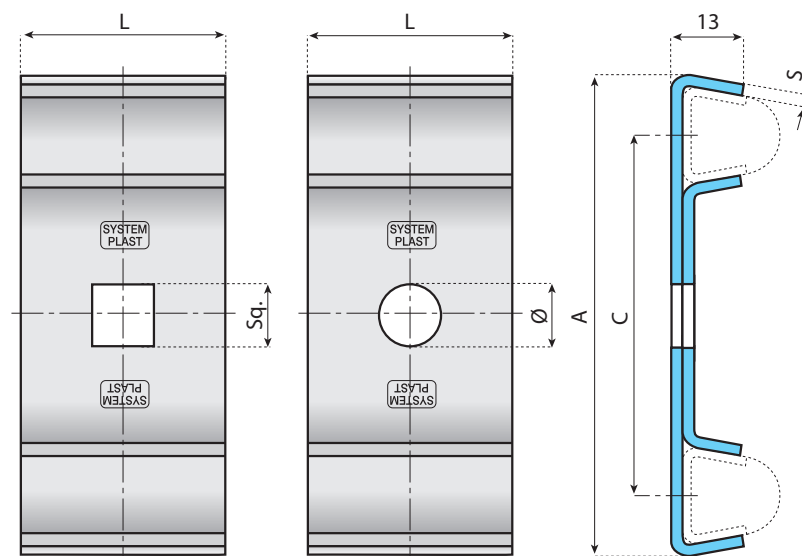
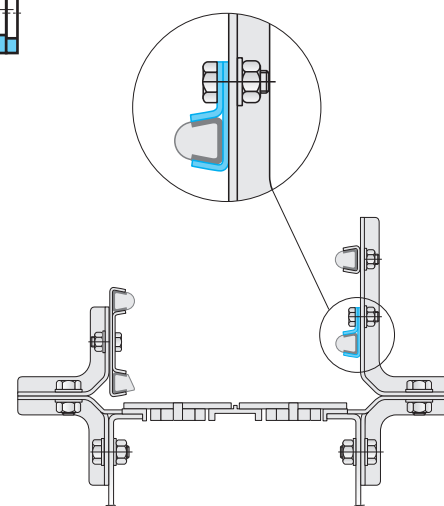
Thickness: $S = 2 \text{ mm}$.

Use: to support conical guide.

Note: round hole version accepts a M8 bolt and square hole version accepts a M8 carriage bolt.

Available in two lengths 38.1 mm wide and 76.2 mm wide for splicing.
Tightening bolt not included.

Code	Ref.	L mm	Ø ●	Sq. ■		Material
13014	VG-012-01	38.1	9	-		
13014S	VG-012-SH	38.1	-	9	n° 50	SS 304
13014L	VG-012-03	76.2	9	-		
13014SL	VG-012-03-SH	76.2	-	9		




DOUBLE RAIL CLAMP

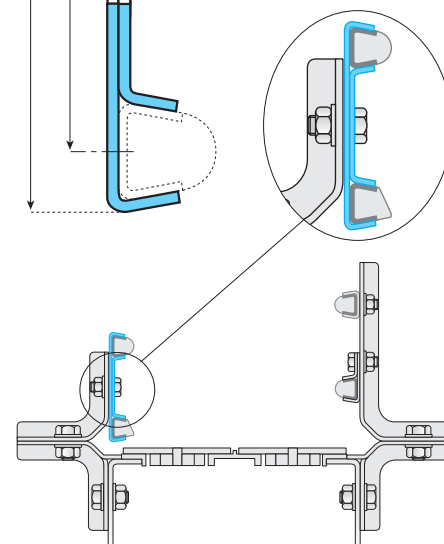
Thickness: $S = 2.5 \text{ mm}$.

Use: to support conical guide.

Note: round hole version accepts a M8 bolt and square hole version accepts a M8 carriage bolt.

Available in two lengths 38.1 mm wide and 76.2 mm wide for splicing.
Tightening bolt not included.

Code	L mm	A mm	C mm	Ø ●	Sq. ■		Material
13013		86	63.5	10.5	-		
13013S		86	63.5	-	9		
131001	38.1	106.5	84	10.5	-	n° 50	SS 304
131001S		106.5	84	-	9		
131002		117.7	95.2	10.5	-		
131002S		117.7	95.2	-	9		



CLAMPS FOR CONICAL SIDE GUIDES

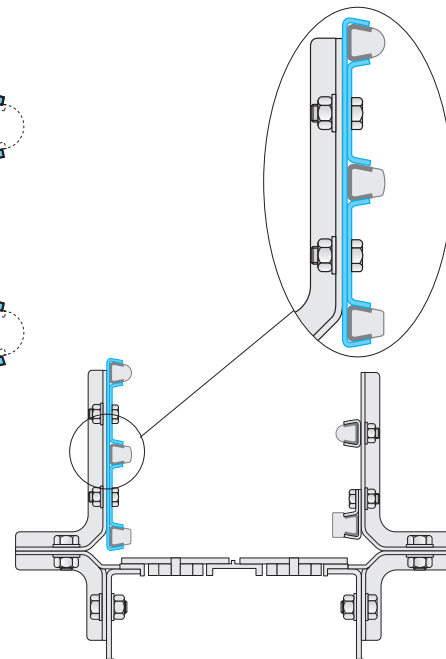
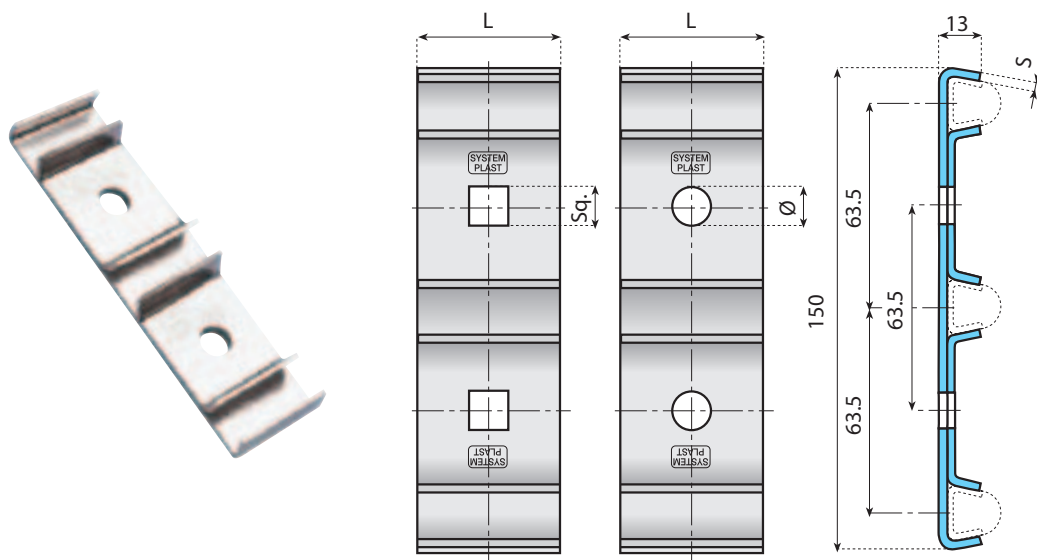
 Preferred type, readily available (codes marked in red)



See pages
76 → 85




AISI 304
Stainless steel

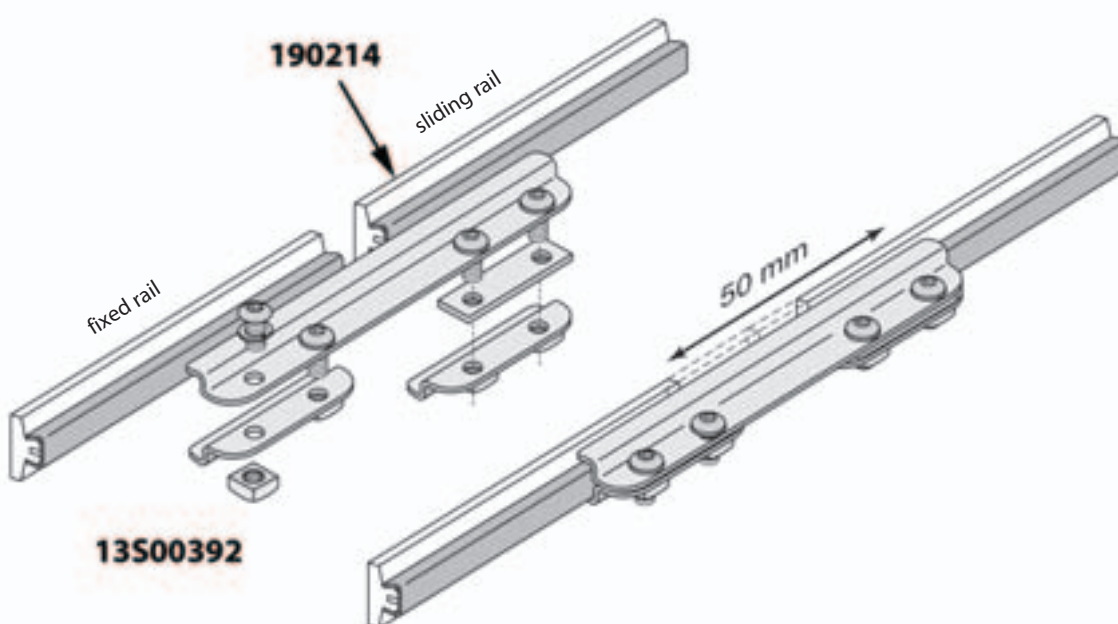


TRIPLE RAIL CLAMP

Material: stainless steel AISI 304,
Thickness: $S = 2.5$ mm.

Note: used with toll containers or when large and small containers run on the same production line. Tightening bolt not included.

Code	L mm	Ø ●	Sq. ■		Material
131003	38.1	10.5	-	n° 50	SS 304
131003S	38.1	-	9		



304 Stainless steel



Par. # 6,053,654
(USA)



ADJUSTABLE SPLICING CLAMP

Allows one rail to slide within the clamp while the other remains fixed.

Code	Ref.		
13S00392	VG-113SM-08G	203 mm	n° 2

CLAMP FOR CONICAL SIDE GUIDES

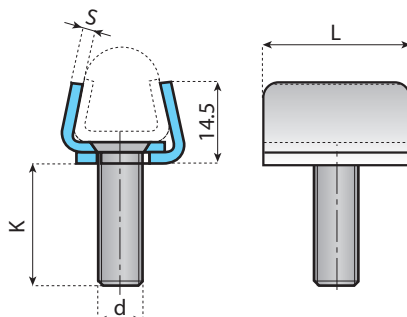
 Preferred type, readily available (codes marked in red)



AISI 304
Stainless steel



See pages
76 ➔ 85




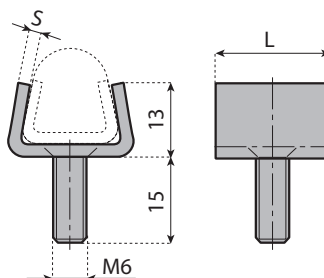
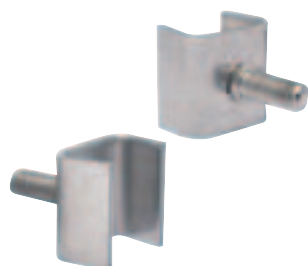
HEAVY DUTY CLIP

Material: stainless steel AISI 304, thickness $S = 2.5$ mm.

Use: two piece compression style for easy assembly and adjustment. Nut and washer not included.

Note: max recommended tightening torque 2.0 Kgm.

Code	Ref.	L mm	K mm	d thread size	
131004	VG-018M-01		15.2		
131005	VG-018M-02	26	20	M8	n° 100
131006	VG-018M-03		25.5		
131007	VG-018M-04		30		



Light duty




AISI 304
Stainless steel

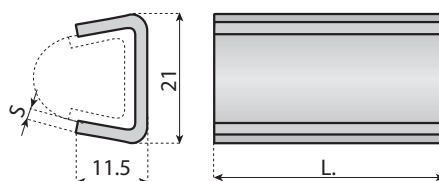
SINGLE CLAMP

Material: stainless steel AISI 304, thickness $S = 2.5$ mm.

Use: easy assembly of guide profiles.

Note: max recommended tightening torque 1.8 Kgm.

Code	L mm	
13796	20 mm	n° 100




AISI 304
Stainless steel

CONNECTING ELEMENT

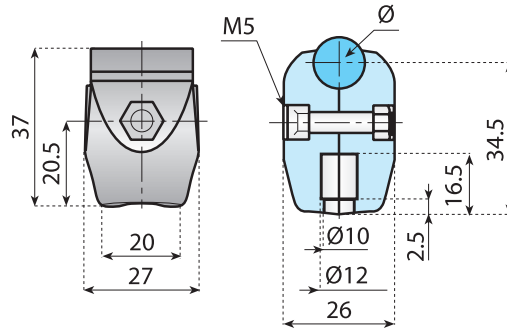
Material: stainless steel AISI 304, thickness $S = 2.5$ mm.

Use: to connect two guide rails. The part can be tapped on with a hammer.

Code	L mm	
13015	38 mm	n° 50
13120	50 mm	

CLAMP FOR CONICAL SIDE GUIDES

 Preferred type, readily available (codes marked in red)



AISI 303
Stainless steel



Reinforced
polyamide



[Consult see page 103 for roud profile](#)



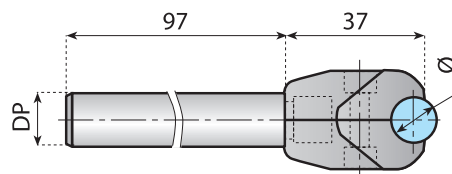
[Consult pages 138 → 142 for rod design](#)

SINGLE CLAMP

Material: clamp in reinforced polyamide, bolt in stainless steel nut in nickel plated brass.

Supply: assembled.

Code	For guide Ø	
13960	8	n° 50
13961	10	
13721	12	
13725	14	



AISI 303
Stainless steel



Reinforced
polyamide



[Consult see page 103 for roud profile](#)



[Consult pages 138 → 142 for rod design](#)

SINGLE CLAMP WITH ROD

Material: clamp in reinforced polyamide, bolt in stainless steel nut in nickel plated brass, rod in stainless steel AISI 303.

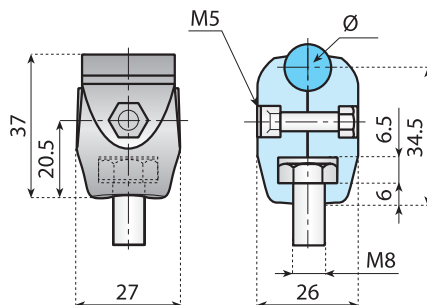
Supply: assembled.

Code	DP	For guide Ø	
13962	12	8	n° 50
13963	14		
13964	16		
13965	12	10	n° 50
13966	14		
13967	16		
13722	12	12	n° 50
13723	14		
13724	16		
13726	12	14	n° 50
13727	14		
13728	16		



CLAMPS FOR ROUND PROFILE GUIDES

 Preferred type, readily available (codes marked in red)



AISI 303
Stainless steel



Reinforced
polyamide



[Consult see page 103](#)
for roud profile

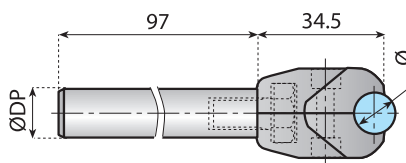


[Consult pages 138 - 142](#)
for rod design

SINGLE CLAMP

Material: clamp in reinforced polyamide, bolt in stainless steel nut in nickel plated brass.
Supply: assembled.

Code	For guide Ø	
13968	8	n° 50
13969	10	
13729	12	
13733	14	



AISI 303
Stainless steel



Reinforced
polyamide



[Consult see page 103](#)
for roud profile



[Consult pages 138 - 142](#)
for rod design

SINGLE CLAMP WITH ROD

Material: clamp in reinforced polyamide, bolt in stainless steel nut in nickel plated brass, rod in stainless steel AISI 303.
Supply: assembled.

Code	DP	For guide Ø	
13970	12		n° 50
13971	14	8	
13972	16		
13973	12		n° 50
13974	14	10	
13975	16		
13730	12		n° 50
13731	14	12	
13732	16		
13734	12		n° 50
13735	14	14	
13736	16		



CLAMPS FOR ROUND PROFILE GUIDES

 Preferred type, readily available (codes marked in red)



AISI 303
Stainless steel



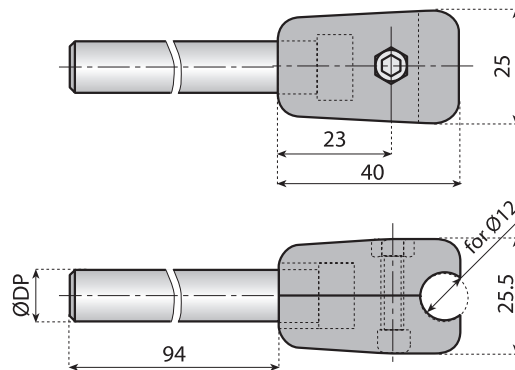
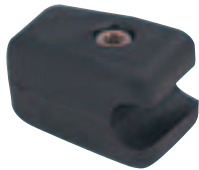
Reinforced
polyamide



[Consult see page 103 for roud profile](#)



[Consult pages 138 - 142 for rod design](#)




SINGLE CLAMP

Material: clamp in reinforced polyamide, bolt and rod in stainless steel nut in nickel plated brass.

Supply: assembled.

Note: code 13745 is supplied without rod.

Code	DP	
13745	-	
13977	12	n° 50
13978	14	
13979	16	



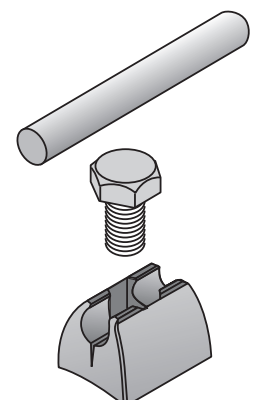
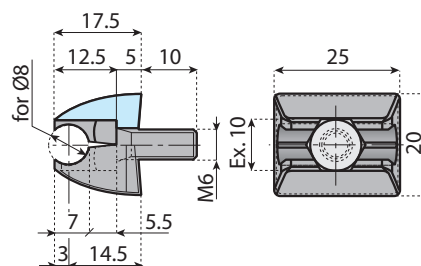
AISI 304
Stainless steel



Reinforced
polyamide



[Consult see page 103 for roud profile](#)




CLIP-ON SINGLE CLAMP

Material: clamp in polyamide, bolt stainless steel

Use: with round profile guide Ø8 mm.

Supply: assembled.

Code	
13980	n° 100

CLAMPS FOR ROUND PROFILE GUIDES

 Preferred type, readily available (codes marked in red)



AISI 303
Stainless steel



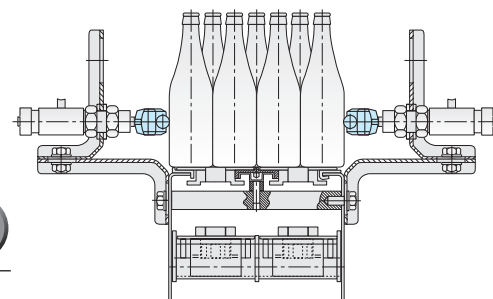
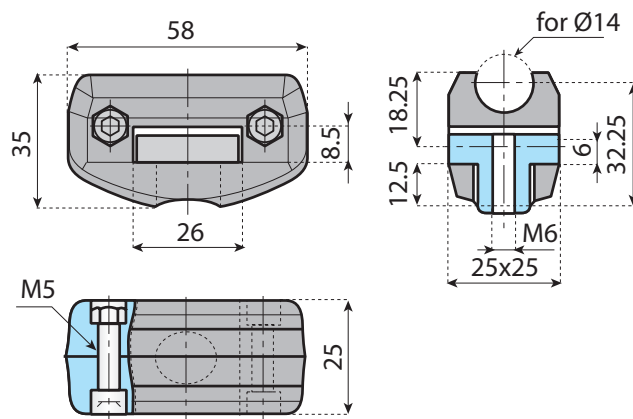
Reinforced
polyamide



Consult see page
103
for rod profile



Consult pages
138 → 142
for rod design



SINGLE CLAMP

Material: clamp in reinforced polyamide, bolt in stainless steel, nut and threaded bushing in nickel plated brass.

Use: with round profile guide Ø14 mm.

Supply: assembled.

Code

13742



n° 50



AISI 304
Stainless steel



Reinforced
polyamide



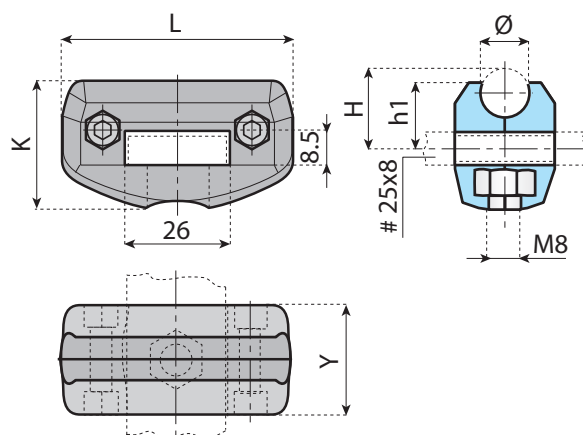
Consult see page
103
for rod profile



Accessories



Range
extension



ADJUSTABLE CLAMP

Material: clamp in reinforced polyamide, bolt in stainless steel, nut in nickel plated brass.

Supply: assembled.

Code

13743

13741

13744NV

13740

Ø

8

10

12

14

L

58

58

59

58

K

33

33

34.5

34

Y

21

21

24

25

H

18

18.5

21

22

h1

16

16

19

17.5



n° 50

CLAMPS FOR ROUND PROFILE GUIDES

 Preferred type, readily available (codes marked in red)



AISI 303
Stainless steel



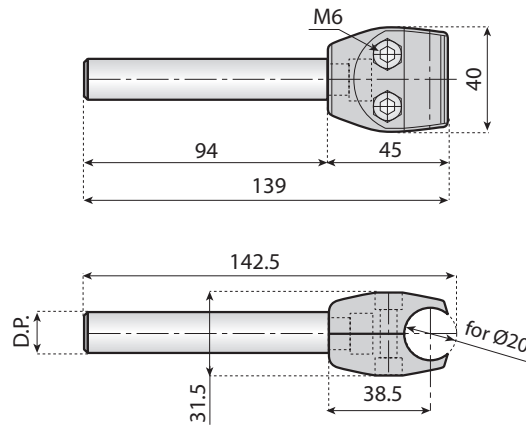
Reinforced
polyamide



Consult see page
103
for roud profile



Consult pages
138 → 142
for rod design




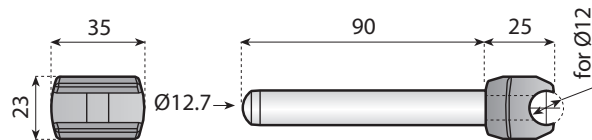
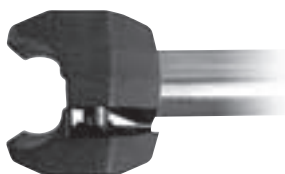
DOUBLE CLAMP WITH ROD

Material: clamp in reinforced polyamide, bolt nut and rod in stainless steel.



Supply: assembled.

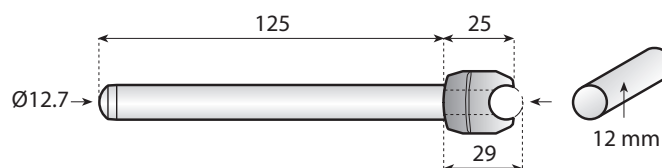
Note: code 13771 is supplied without rod.

Code	DP	
13771	—	
13772	12	n° 50
13773	14	
13774	16	



Par.
5,626,221
(USA)



Code	Ref.		
13S00253	VG-032-12-35	90 mm	n°10



SINGLE CLAMP WITH ROD

Material: clamp in reinforced polyamide, bolt in stainless steel, nut in nickel plated brass, rod in stainless steel AISI 303.

Supply: assembled.

Code	Ref.		
13S00254	VG-032-12-50	125 mm	n°10

CLAMPS FOR ROUND PROFILE GUIDES

 Preferred type, readily available (codes marked in red)

IMPROVED DESIGN

SS 304

AISI 304
Stainless steel

PA FG

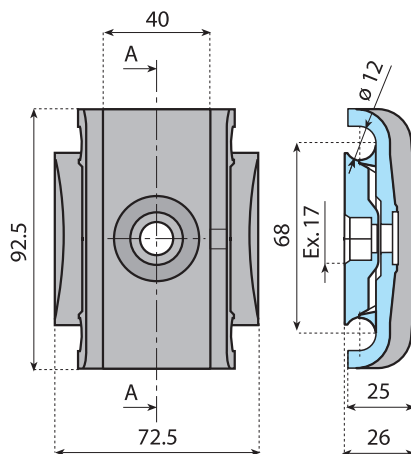
Reinforced polyamide



[Consult see page 103 for round profile](#)



[Consult pages 138 - 142 for rod design](#)



Code

13761XP



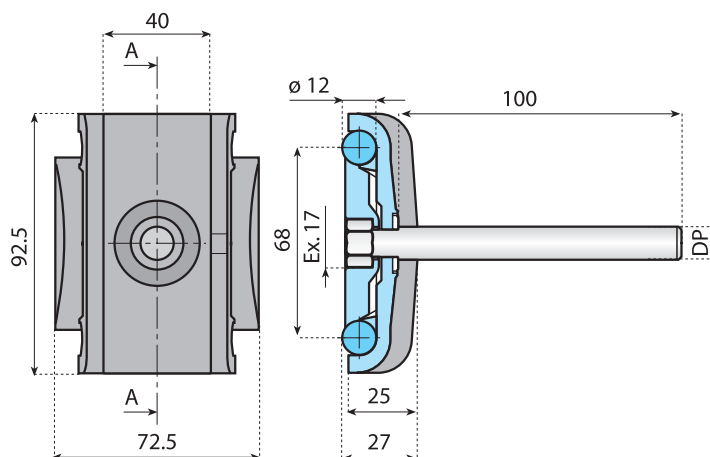
n° 50

DOUBLE CLAMP WITH ROD

Material: clamp in reinforced polyamide, nut and rod in stainless steel.

Supply: assembled.

Note: code 13761XP is supplied without rod.



Code

13770XP
13772XP
13773XP

DP

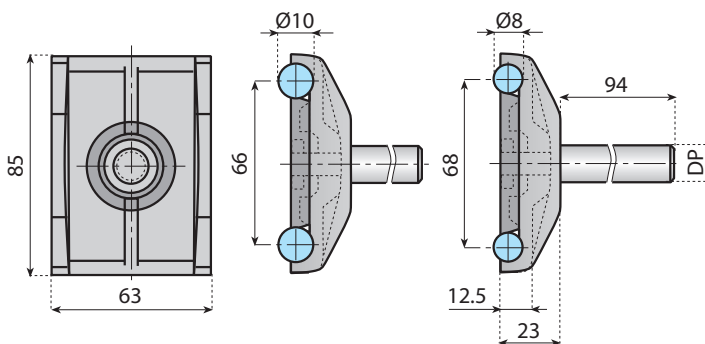
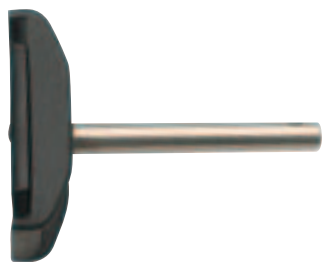
12
14
16



n° 50

CLAMPS FOR ROUND PROFILE GUIDES

 Preferred type, readily available (codes marked in red)



DOUBLE CLAMP FOR ROUND PROFILE GUIDES Ø 8-10 mm

Material: clamp in reinforced polyamide bolt, nut and rod in stainless steel.

Note: code 13754 is supplied without rod.

Use: round profile guides (8 or 10 mm) can be used simply turning the flange position.

Code	DP	
13754	-	
13755	12	n° 50
13756	14	
13757	16	



AISI 304
Stainless steel



Reinforced
polyamide

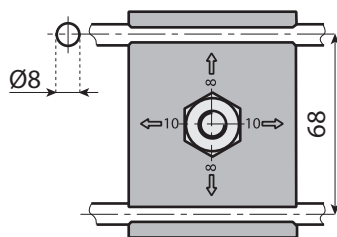


Consult see page
103
for round profile

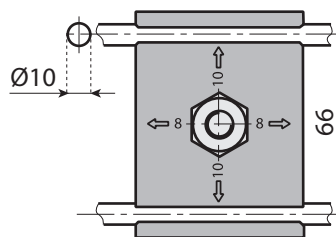


Consult pages
138 → 142
for rod design

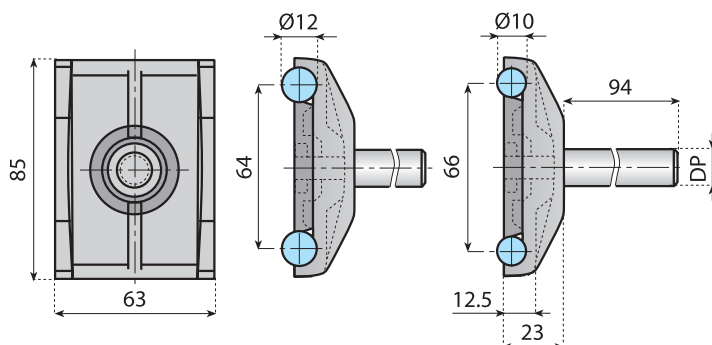
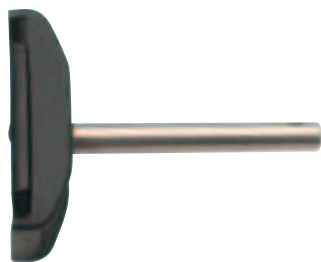
Flange position for assembling guides with diam. $d = 8$ mm.



Flange position for assembling guides with diam. $d = 10$ mm.



Application example



DOUBLE CLAMP FOR ROUND PROFILE GUIDES Ø 10-12 mm

Material: clamp in reinforced polyamide bolt, nut and rod in stainless steel AISI 304

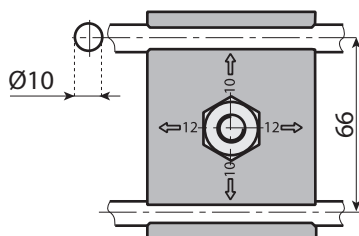
Note: code 13777 is supplied without rod.

Use: round profile guides (10 or 12 mm) can be used simply turning the flange position.

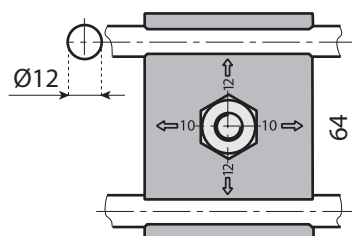
Code	DP	
13777	-	
13778	12	n° 50
13779	14	
13780	16	



Flange position for assembling guides with diam. $d = 10$ mm



Flange position for assembling guides with diam. $d = 12$ mm



Application example

CLAMPS FOR STANDARD SIDE GUIDES

 Preferred type, readily available (codes marked in red)



Nickel plated brass



AISI 303 Stainless steel



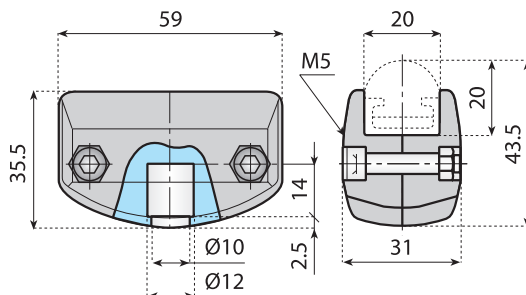
Reinforced polyamide



See page 97



Consult pages 138 → 142 for rod design



Code

13001

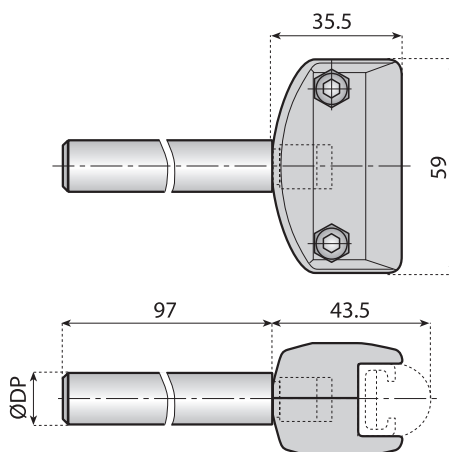


n° 100

SINGLE CLAMP

Material: clamp in reinforced polyamide, bolt in stainless steel, nut in nickel plated brass.

Supply: assembled.



Code

13002

13003

13004

DP

12

14

16

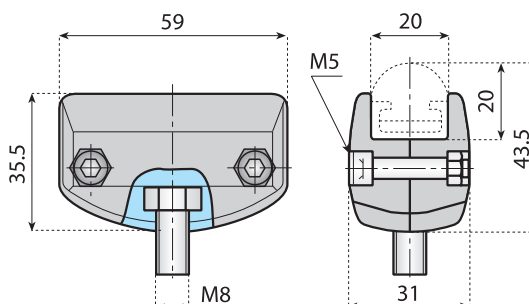


n° 50

SINGLE CLAMP WITH ROD

Material: clamp in reinforced polyamide, bolt in stainless steel, nut in nickel plated brass, rod in stainless steel AISI 303.

Supply: unassembled.



Code

13184



n° 100

SINGLE CLAMP

Material: clamp in reinforced polyamide, bolt in stainless steel, nut in nickel plated brass.

Supply: assembled.

CLAMPS FOR STANDARD SIDE GUIDES

 Preferred type, readily available (codes marked in red)



Nickel plated brass



AISI 303 Stainless steel



Reinforced polyamide



See page 97



Consult pages 138 - 142 for rod design

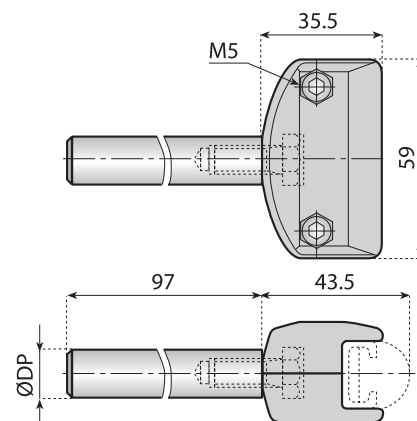


SINGLE CLAMP WITH ROD

Material: clamp in reinforced polyamide, bolt in stainless steel, nut in nickel plated brass, rod in stainless steel AISI 303.

Supply: unassembled.

Code	DP	
13797	12	n° 50
13798	14	
13799	16	

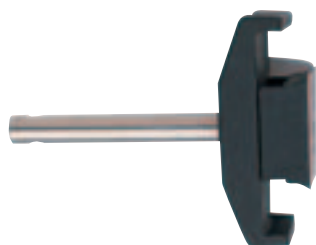
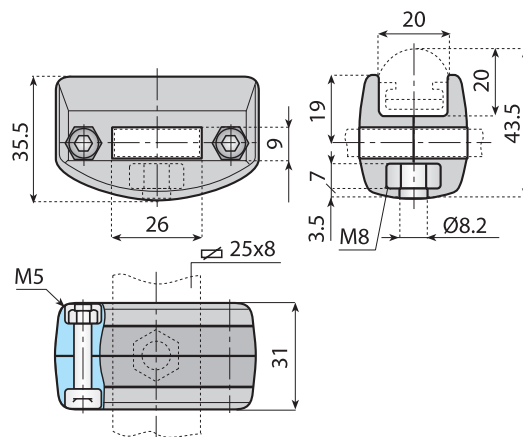


ADJUSTABLE SINGLE CLAMP

Material: clamp in reinforced polyamide, bolt in stainless steel, nut in nickel plated brass.

Supply: assembled.

Code	DP	
13005	-	n° 50



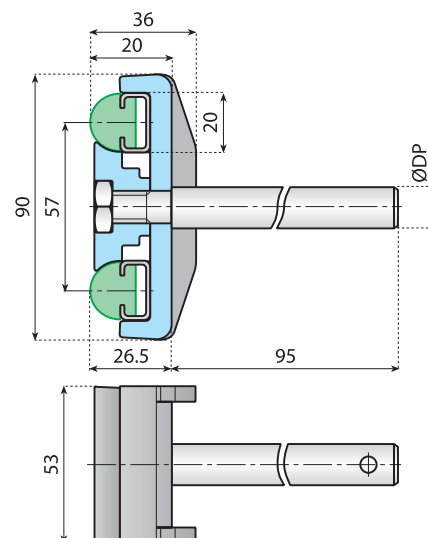
DOUBLE CLAMP WITH ROD

Material: clamp in reinforced polyamide, nut and rod in stainless steel.

Note: code 13525 is supplied without rod.

Supply: unassembled.

Code	DP	
13525	-	n° 50
13526	12	
13527	14	
13720	16	



ACCESSORIES FOR FLAT SIDE GUIDES

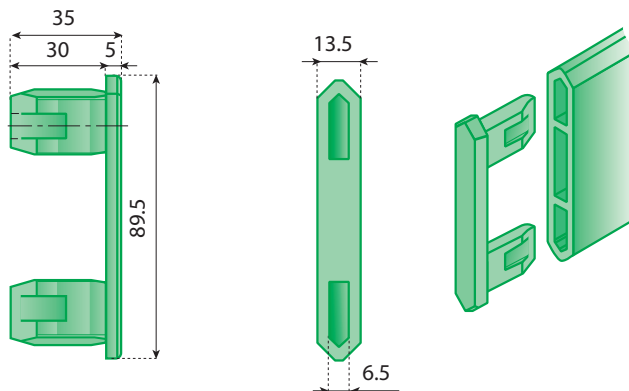
 Preferred type, readily available (codes marked in red)



Reinforced polyamide



[See page 100](#)



END-PLUG

Use: with flat side guide code 19098 - 19098L

Code

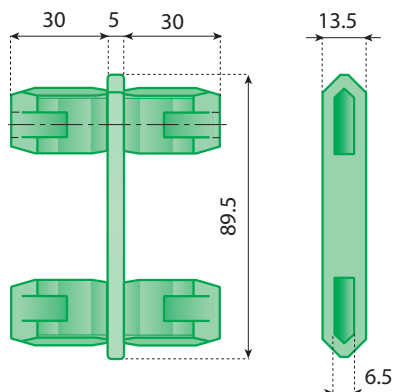
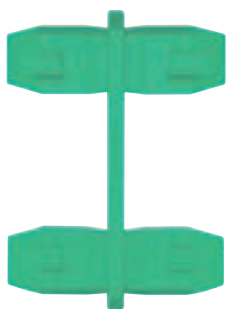
13995



n° 10



PA-FG



CONNECTING PLUG

Use: with flat side guide code 19098 - 19098L

Code

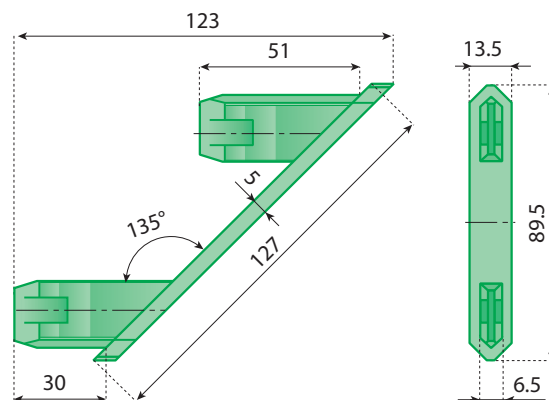
13996



n° 10



PA-FG



END-PLUG

Use: with flat side guide code 19098 - 19098L

Code

13997



n° 10



PA-FG

CLAMPS FOR FLAT SIDE GUIDE

 Preferred type, readily available (codes marked in red)



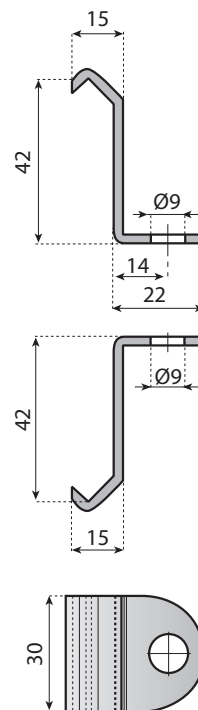
See page
100



AISI 304
Stainless steel



Consult pages
138 → 142
for rod design



FIXING CLAMP

Thickness: $S = 3$ mm.

Surface: tumbling finish.

Use: with flat side guide code 19098 - 19098L

Note: the clamp is supplied without rod and bolt.

Supply: unassembled.

Code

13994

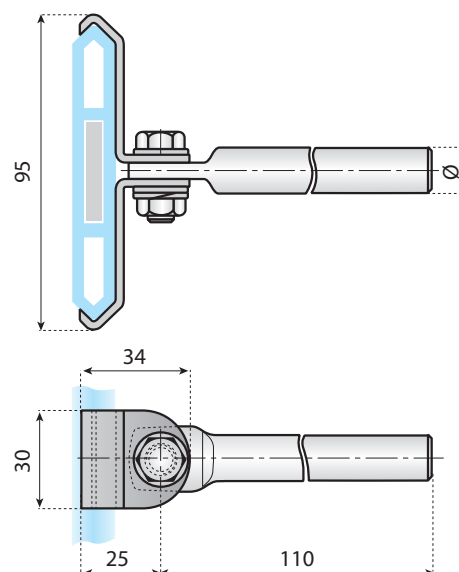


n° 50



Material

SS 304



FIXING CLAMP WITH ROD

Material: clamp, rod, screw and washer in stainless steel.

Thickness: $S = 3$ mm.

Surface: tumbling finish.

Use: with flat side guide code 19098 - 19098L

Supply: unassembled.

Code

13982

13983

13984

Rod Ø

12

14

16



n° 50

ACCESSORIES FOR SIDE GUIDE (LARGE TYPE)

 Preferred type, readily available (codes marked in red)



AISI 304
Stainless steel



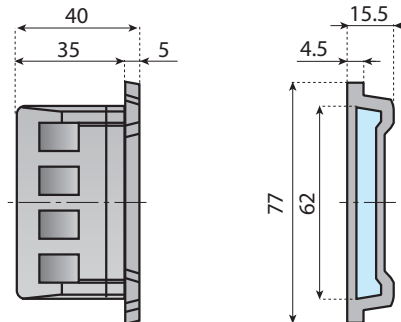
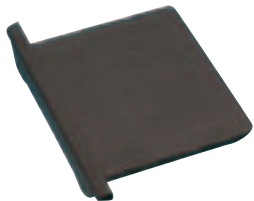
Reinforced
polyamide



See page
100



Consult pages
138 → 142
for rod design



END-PLUG

Use: with side guide rails code 19082 - 19082L

Code

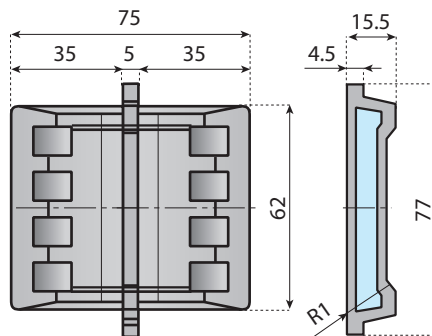
13784



n° 10



PA-FG



PLUG

Use: with side guide code 19082 - 19082L

Code

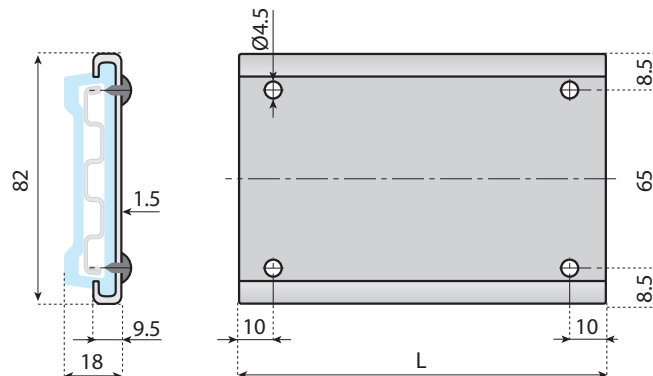
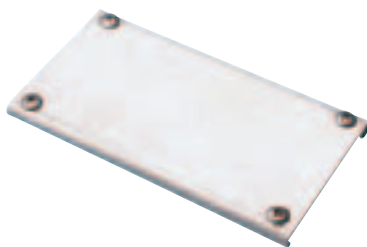
13785



n° 10



PA-FG



COMBINER-CLAMP

Material: clamp and screws in stainless steel AISI 304.

Thickness: $S = 1.5$ mm.

Surface: scotch brite finish.

Use: with side guide code 19082 - 19082L

***Packaging:** 10 pieces, complete with fixing screws.

Code

13836
18333

L

100
150



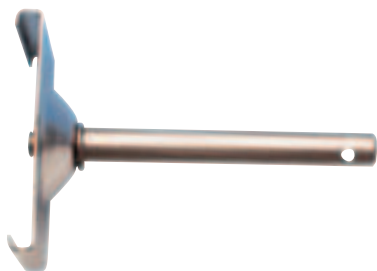
n° 10*



SS 304

CLAMPS FOR SIDE GUIDE (LARGE TYPE)

 Preferred type, readily available (codes marked in red)



FIXING CLAMP One piece

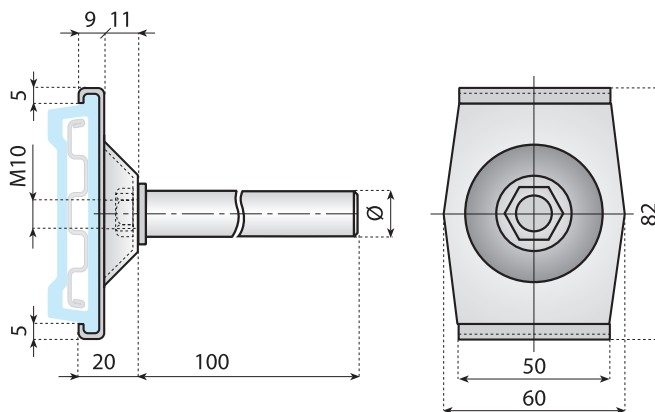
Material: clamp, washer and rod in stainless steel AISI 304.

Thickness: $S = 1.5$ mm.

Surface: scotch brite finish.

Note: code 13171 is supplied without rod.

Supply: unassembled.



Code

Code	For rod \varnothing (mm)		Material
13171	-		
13172	12	n° 50	SS 304
13173	14		
13174	16		



Reinforced polyamide



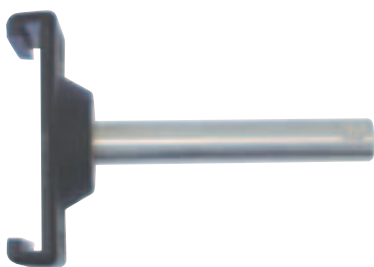
AISI 304
Stainless steel



See page 100

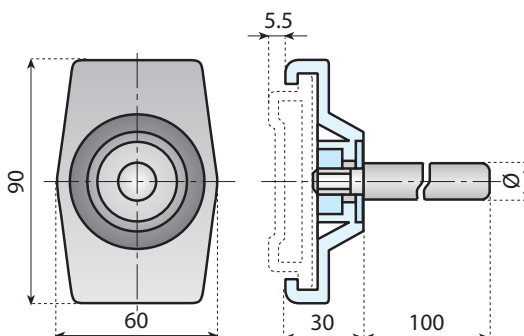


Consult pages 138 → 142 for rod design



FIXING CLAMP

Material: clamp in reinforced polyamide, bolt and rod in stainless steel.



Code

Code	For rod \varnothing (mm)	
13719	-	
13737	12	n° 50
13738	14	
13739	16	



FIXING CLAMP Two pieces

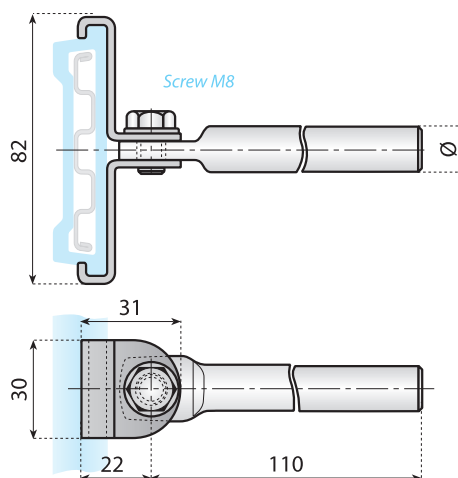
Material: clamp, screws, washer and rod in stainless steel AISI 304.

Thickness: $S = 3$ mm.

Surface: tumbling finish.

Note: code 13834 is supplied without rod.

Supply: unassembled.



Code

Code	For rod \varnothing (mm)		Material
13834	-		
13985	12	n° 50	SS 304
13986	14		
13987	16		

ACCESSORIES FOR SIDE GUIDES (EXTRA LARGE TYPE)

 Preferred type, readily available (codes marked in red)



AISI 304
Stainless steel



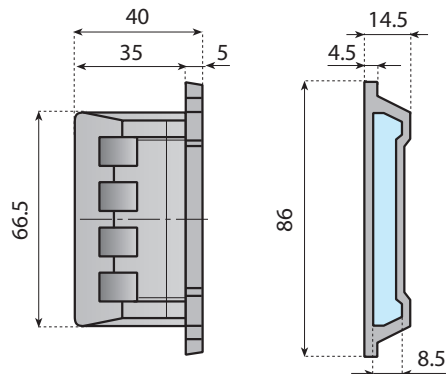
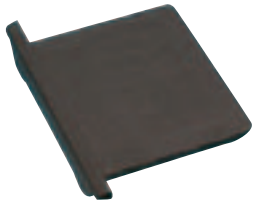
Reinforced
polyamide



See page
100



Consult pages
138 → 142
for rod design



END-PLUG

Material: reinforced polyamide.

Use: with extra side guide code 19050 - 19050L

Packaging: 10 pieces.

Code

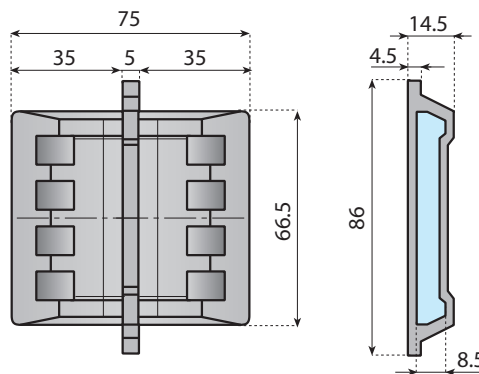
13786



n° 10



PA-FG



COMBINER-PLUG

Use: with extra side guide code 19050 - 19050L

Code

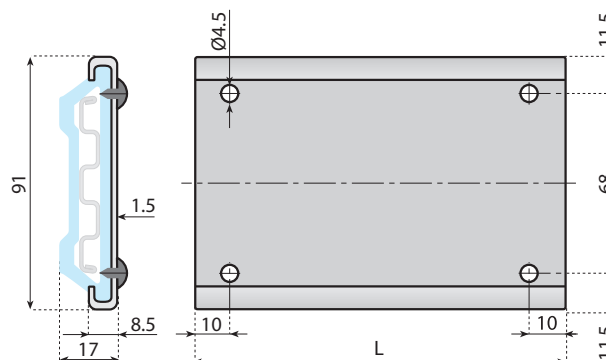
13787



n° 10



PA-FG



COMBINER-CLAMP

Material: clamp and screws in stainless steel AISI 304.

Thickness: S = 1.5 mm.

Surface: scotch brite finish.

Use: with extra side guide code 19050 - 19050L

***Packaging:** 10 pieces, complete with fixing screws.

Code

13837

L

100



n° 10*



SS 304

CLAMPS FOR SIDE GUIDE (EXTRA LARGE TYPE)

 Preferred type, readily available (codes marked in red)



AISI 304
Stainless steel



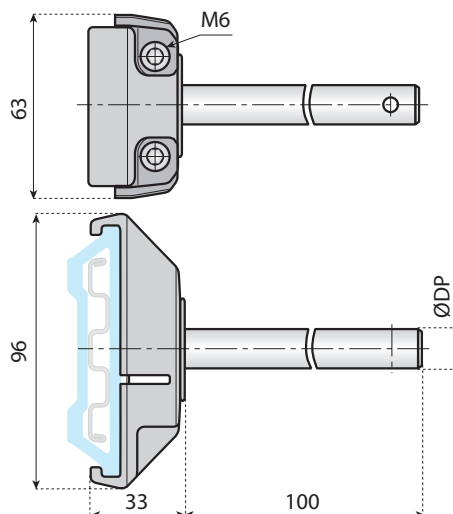
Reinforced
polyamide



See page
100



Consult pages
138 → 142
for rod design



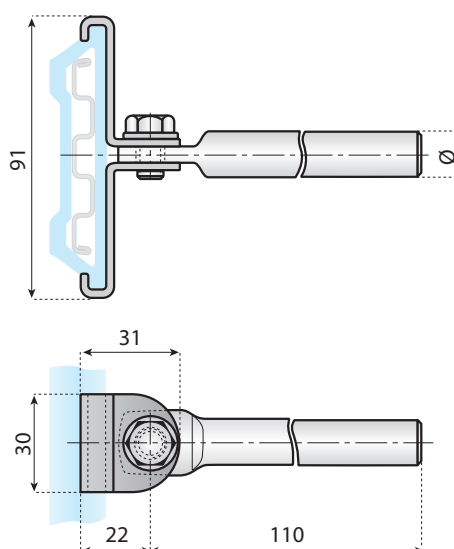
CLAMPS

Material: clamp in reinforced polyamide, bolt and rod in stainless steel.

Supply: unassembled.

Note: code 13718 is supplied without rod.

Code	Ø DP	
13718	-	
13715	12	n° 50
13716	14	
13717	16	



FIXING CLAMP


Thickness: S = 2 mm.

Surface: tumbling finish.

Use: with extra side guide code 19050 - 19050L.

Note: code 13835 is supplied without rod and bolt.

Supply: unassembled.

Code	For rod Ø (mm)		Material
13835	-		
13494	12	n° 50	SS 304
13495	14		
13496	16		

ADJUSTING RODS

 Preferred type, readily available (codes marked in red)




AISI 303
Stainless steel




ADJUSTING RODS

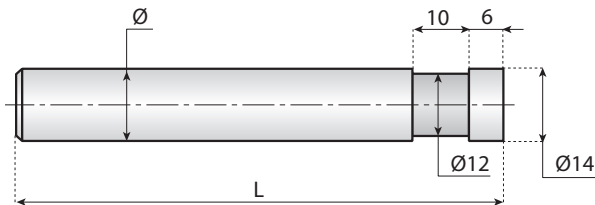
Use: with code 13006 - 13745 - 13771

Code	For rod Ø (mm)	L		Material
13901	12	110	n° 50	SS 303
13902		160		

ADJUSTING RODS


Use: with code 13006 - 13745 - 13771

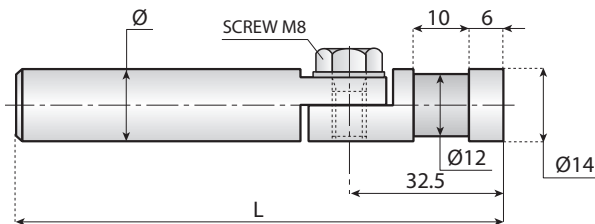
Code	For rod Ø (mm)	L		Material
13903	14	110	n° 50	SS 303
13904		160		
13905	16	110	n° 50	SS 303
13906		160		



ADJUSTING RODS


Use: with code 13006 - 13745 - 13771

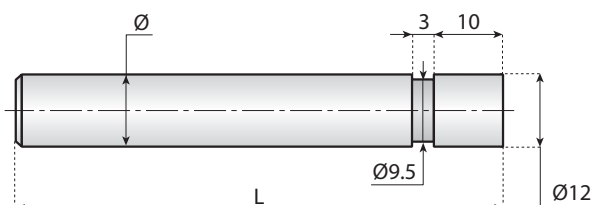
Code	For rod Ø (mm)	L		Material
13775	16	150	n° 50	SS 303
13776		250		



ADJUSTING RODS

Use: with code 13788 - 13002 - 13721 - 13725

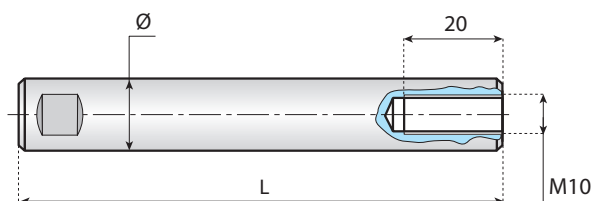
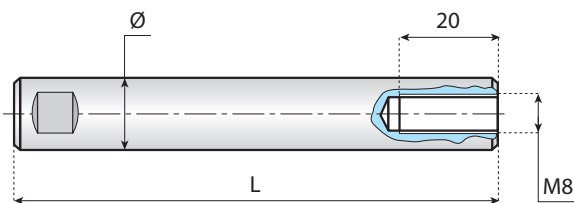
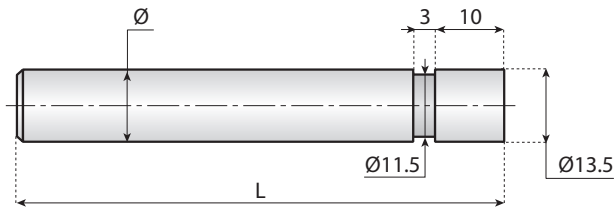
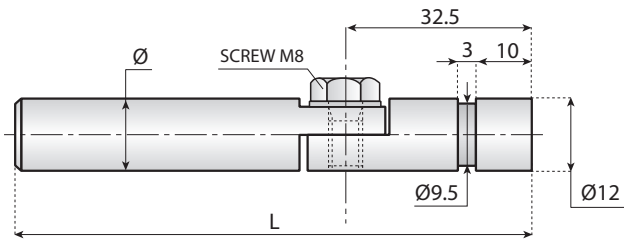
Code	For rod Ø (mm)	L		Material
131153		90		
13933		110		
131154	12	140	n° 50	SS 303
13934		160		
131155		190		
13935	14	110	n° 50	SS 303
13936		160		
13937	16	110	n° 50	SS 303
13938		160		



 Preferred type, readily available (codes marked in red)



AISI 303
Stainless steel



ADJUSTING RODS

Use: with code 13788 - 13001 - 13721 - 13725

Code	For rod Ø (mm)	L		Material
13939	16	150	n° 50	SS 303
13940		250		

ADJUSTING RODS

Use: with code 13006NV

Code	For rod Ø (mm)	L		Material
13907	14	110	n° 50	SS 303
13908		160		
13909	16	110	n° 50	SS 303
13910		160		

ADJUSTING RODS

Use: with code 13012 - 13013 - 13014
13792 - 13184 - 13729 - 13733

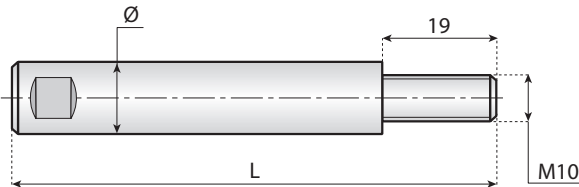
Code	For rod Ø (mm)	L		Material
13911		80		
13912	12	100	n° 50	SS 303
13913		150		
131137		200		
13914		100		
13915	14	150	n° 50	SS 303
131138		200		
13916		100		
13917	16	150	n° 50	SS 303
131139		200		

ADJUSTING RODS

Code	For rod Ø (mm)	L		Material
131140		100		
131141	12	125	n° 50	SS 303
131142		200		
131143		100		
131130		120		
131144	14	150	n° 50	SS 303
131131		170		
131145		200		
131146		250		
131134		95		
131132		120		
131147	16	150	n° 50	SS 303
131133		170		
131148		200		
131149		250		


ADJUSTING RODS

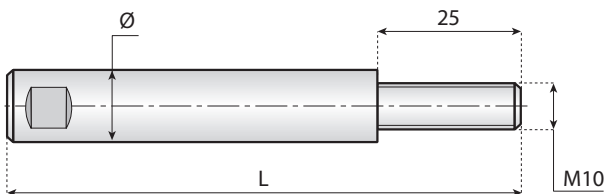
 Preferred type, readily available (codes marked in red)



ADJUSTING RODS


Use: with code 13008NV - 13777 - 13761
13163 - 13754 - 13718 - 13761NV

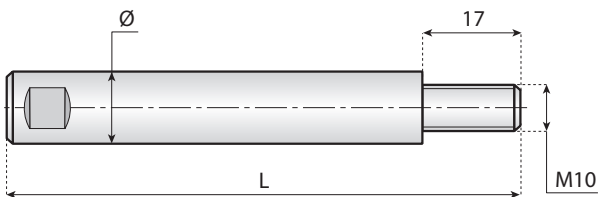
Code	For rod Ø (mm)	L		Material
13918	12	120	n° 50	SS 303
13919		170		
13920	14	120	n° 50	SS 303
13921		170		
13922	16	120	n° 50	SS 303
13923		170		



ADJUSTING RODS


Use: with code 13525.

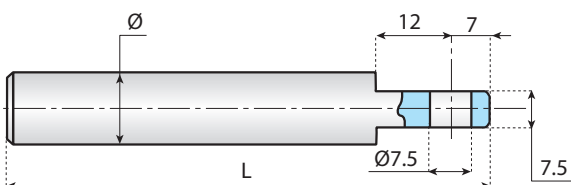
Code	For rod Ø (mm)	L		Material
13941	12	120	n° 50	SS 303
13942		170		
13943	14	120	n° 50	SS 303
13944		170		
13945	16	120	n° 50	SS 303
13946		170		



ADJUSTING RODS


Use: with code 13171.

Code	For rod Ø (mm)	L		Material
131150		90		
13947		120		
131151	12	140	n° 50	SS 303
13948		170		
131152		210		
13950	14	120	n° 50	SS 303
13951		170		
131135		104		
13952	16	120	n° 50	SS 303
13953		170		

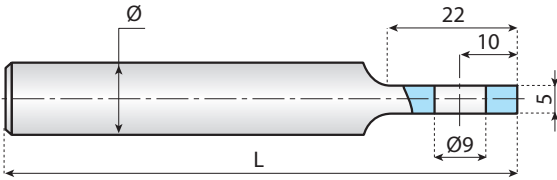


ADJUSTING RODS

Use: with code 13167.


Code	For rod Ø (mm)	L		Material
13924	12	120	n° 50	SS 303
13925		170		
13926	14	120	n° 50	SS 303
13927		170		
13928	16	120	n° 50	SS 303
13929		170		

 Preferred type, readily available (codes marked in red)




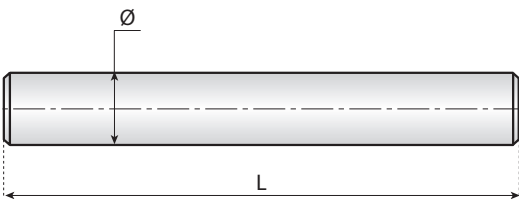
ADJUSTING RODS

Use: with code 13829 - 13850 - 13800 - 13833.

Code	For rod Ø (mm)	L		Material
13954	12	120	n° 50	SS 303
13955		170		
13956	14	120	n° 50	SS 303
13957		170		
13958	16	120	n° 50	SS 303
13959		170		


ADJUSTING RODS

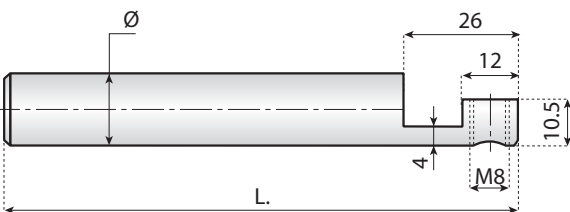
Code	For rod Ø (mm)	L		Material
131112	12	200		
131113	12	250	n° 50	SS 303
131114	12	300		
131115	14	200		
131116	14	250	n° 50	SS 303
131117	14	300		
131118	16	100		
131119	16	150	n° 50	SS 303
131120	16	250		
131121	16	300		
131122	20	250	n° 50	SS 303
131123	20	350		



ADJUSTING RODS

Use: with code 190265 - 190265F

Code	For rod Ø (mm)	L		Material
131124	14	200	n° 50	SS 303
131125		250		
131126	16	200	n° 50	SS 303
131127		250		

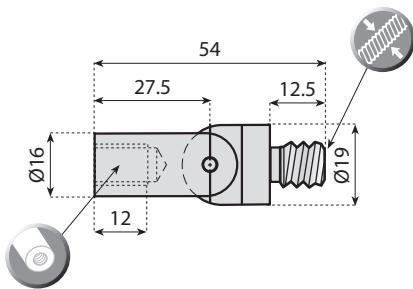
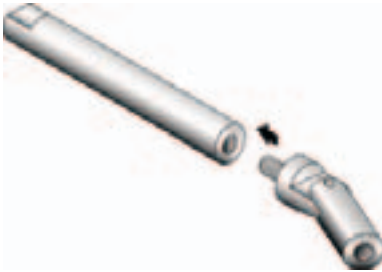


JOINT ROD ADAPTER

 Preferred type, readily available (codes marked in red)



AISI 304
Stainless steel



Code

Ref.



13S00260
13S00259
13S00261

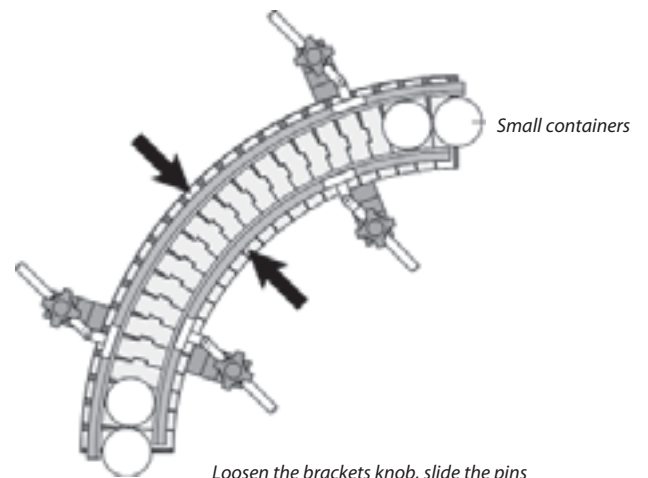
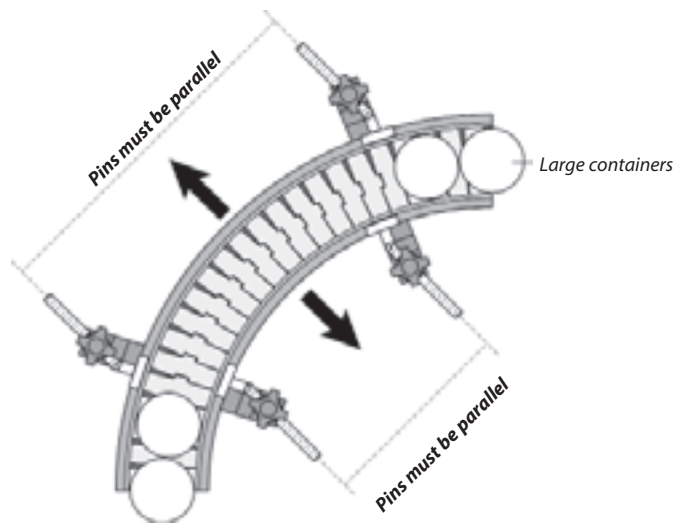
VG-222JQ-M8
VG-222JQ-M10
VG-222JQ-M8M-M10F

M8

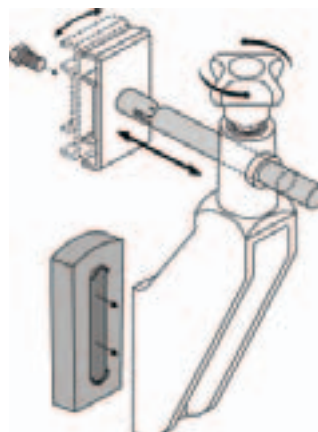
M8

n°10

SS 304



Loosen the brackets knob, slide the pins into position, then re-tighten the bracket knobs.



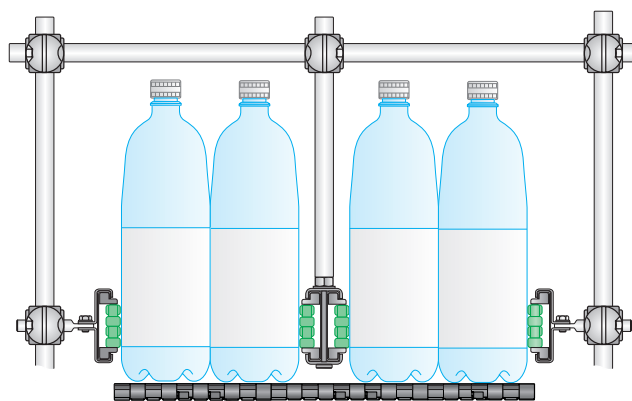
BRACKET SPACERS FOR ROD USE

Spacers may be required for proper set back of the brackets to allow for the jointed adjusting rod clevis extension. For details on spacers to pages 246-248



Roller side guide

INTERMEDIARY ROLLER GUIDES



Accessories



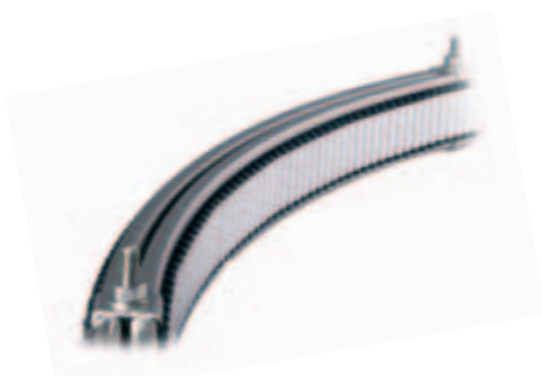
Acetal resin



Polyamide



AISI 304 stainless steel



Bending radius: min 750 mm

INTERMEDIARY ROLLER GUIDE

Material: straps in reinforced polyamide, rollers in acetal resin, profile in stainless steel.




Pins: see table.

Standard packaging: 1 roller guide L = 3 m.

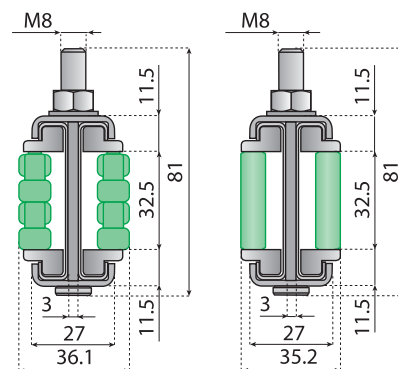
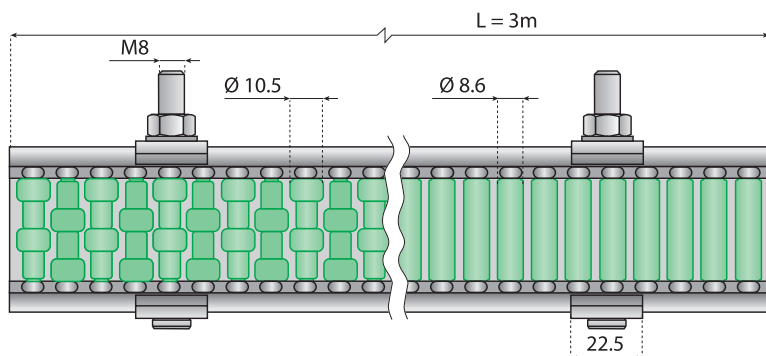
Note: 2 profiles are required to build 1 intermediary guide

Connecting material to be ordered separately.

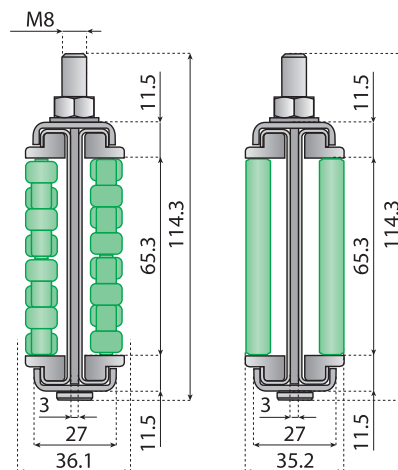
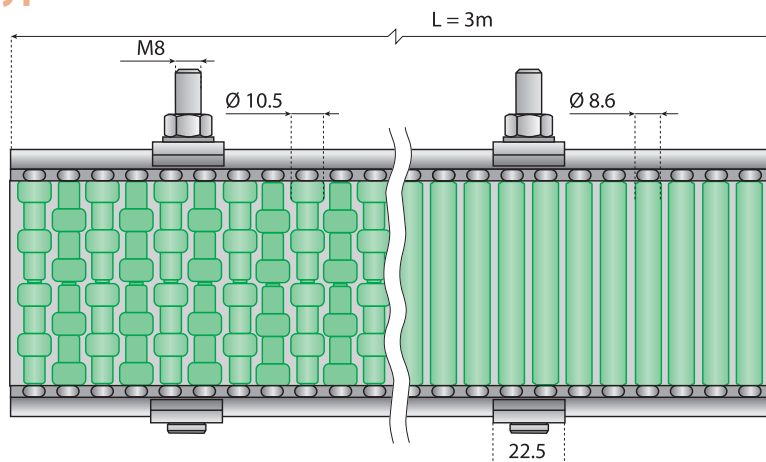
Applications: designed for rugged boxes and multi-packs.

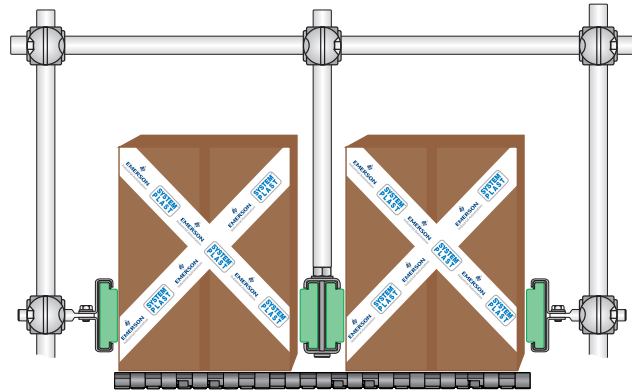
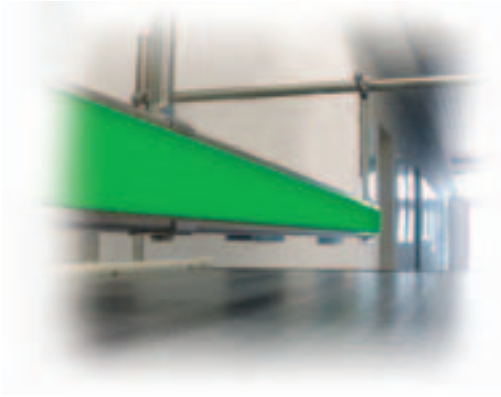
Code	Code		 Kg/m	 Pin Material	 Roller
16921	16924				Orange
16921K	16924K	Type A	2.05	POM	White
16921V	16924V				Green
16921W	16924W				Water blue
16922	16925				Orange
16922K	16925K	Type A	2.63	SS 304	White
16922V	16925V				Green
16922W	16925W				Water blue
16923	16926				Orange
16923K	16926K	Type B	4.11	SS 304	White
16923V	16926V				Green
16923W	16926W				Water blue

Type A - H 55.5



Type B - H 88.3





PE
Polyethylene

SS 303
AISI 304
stainless steel

147
Accessories

INTERMEDIARY GUIDE

Material: profile in stainless steel, bar in polyethylene.

Standard packaging: 1 guide L = 3 m.

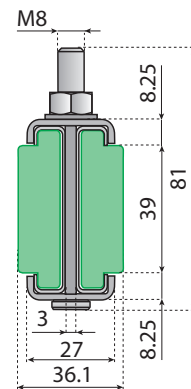
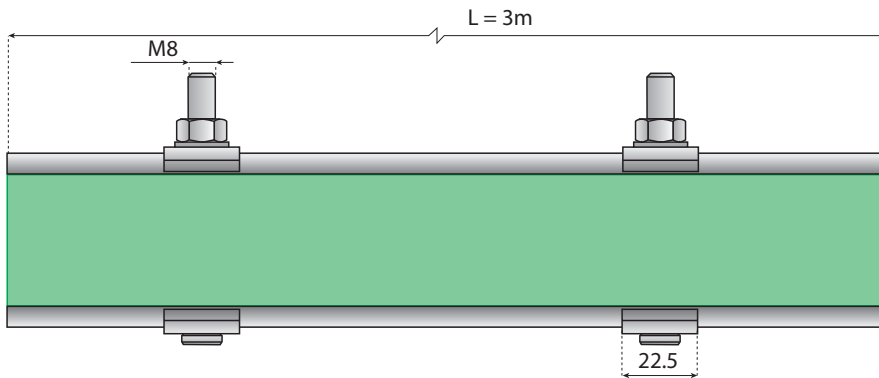
Note: 2 profiles are required to build 1 intermediary guide

Connecting material to be ordered separately

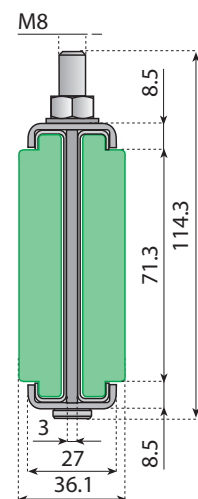
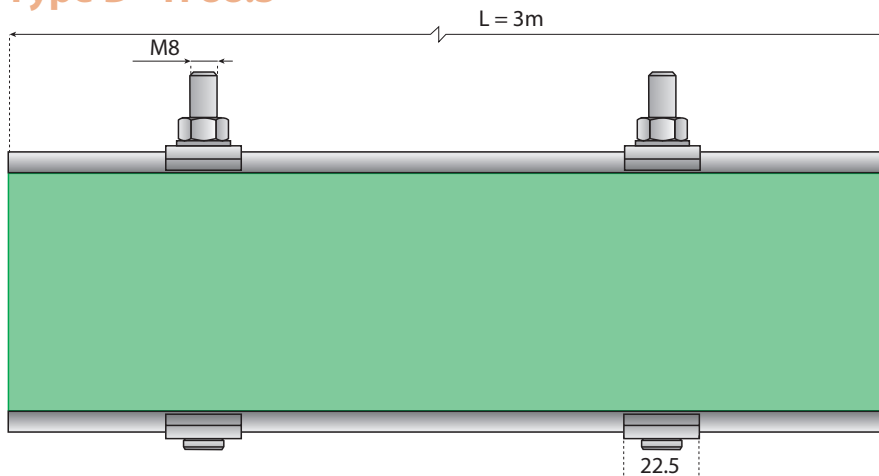
Applications: designed for rugged boxes and containers.

Code		Kg/m	Profile Material	Roller
16927V	Type C	2.64	PE	Green
16928V	Type D	4.15	PE	Green

Type C - H 55.5

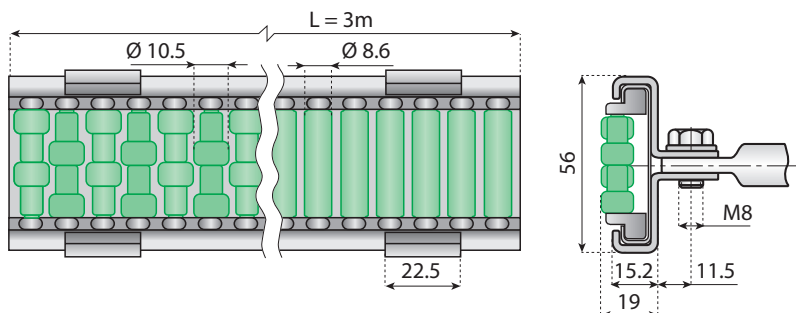


Type D - H 88.3

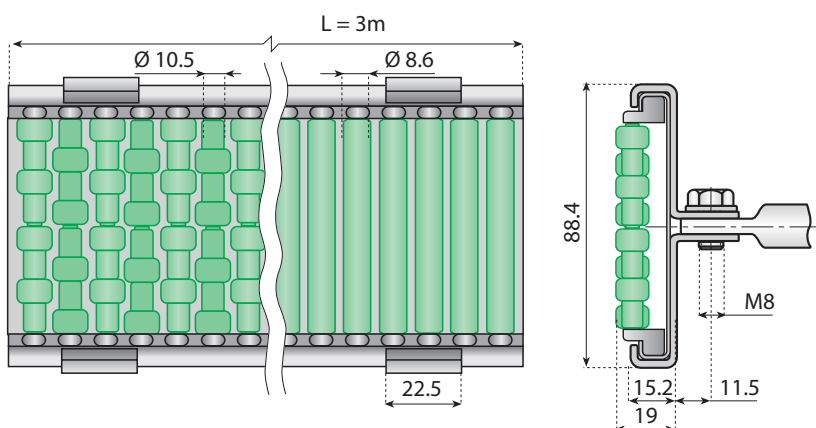


SIDE GUIDES

Type A - H 55.5



Type B - H 88.3



SIDE GUIDE

Material: straps in reinforced polyamide, rollers in acetal resin, bar in polyethylene, profile in stainless steel.

Pins: see table.

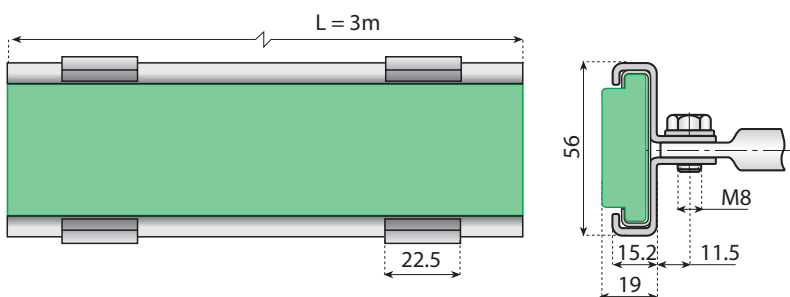
Standard packaging: 1 guide L = 3 m.

Connecting material to be ordered separately

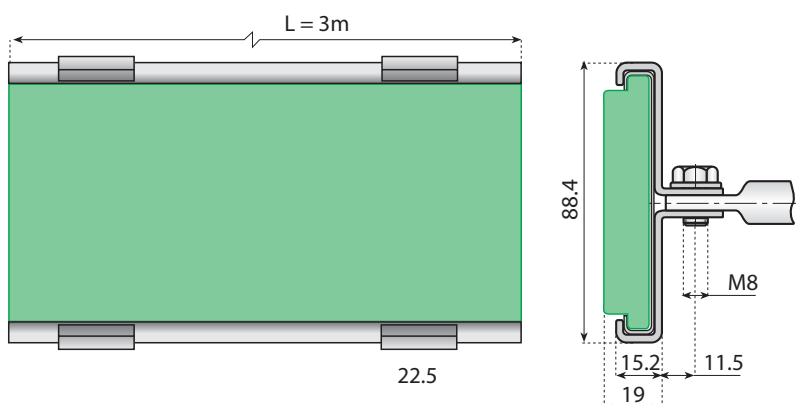
Applications: designed for rugged boxes and containers.

Code	Code		Kg/m	Pin Material	Roller
16921	16924	Type A	1.03	POM	Orange
16921K	16924K				White
16921V	16924V				Green
16921W	16924W				Water blue
16922	16925	Type A	1.32	SS 304	Orange
16922K	16925K				White
16922V	16925V				Green
16922W	16925W				Water blue
16923	16926	Type B	2.06	SS 304	Orange
16923K	16926K				White
16923V	16926V				Green
16923W	16926W				Water blue

Type C - H 55.5



Type D - H 88.3



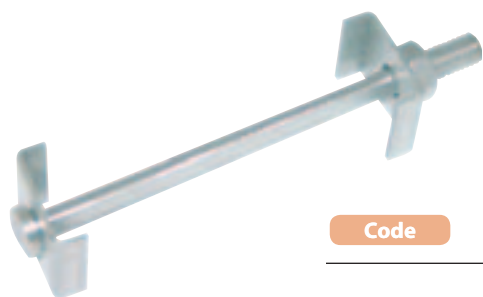
Code		Kg/m	Profile Material	Roller
16927V	Type C	1.32	PE	Green
16928V	Type D	2.08	PE	Green



Accessories



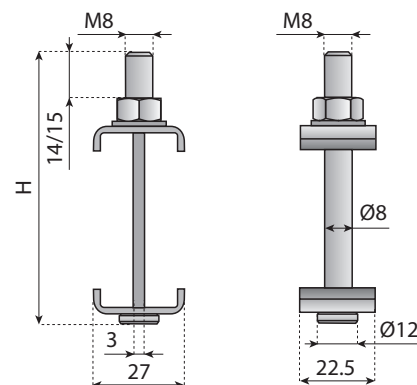
AISI 304
Stainless steel



Code		H	Profile Material
131160	Type A (2 roller)	81	SS 304
131161	Type B (4 roller)	114.3	SS 304

FIXING CLAMP

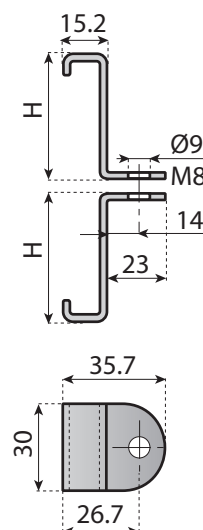
Surface: tumbling finish.
Supply: unassembled.



Code		H	Profile Material
131162	Type A (2 roller)	25.5	SS 304
131163	Type B (4 roller)	41.7	SS 304

FIXING CLAMP

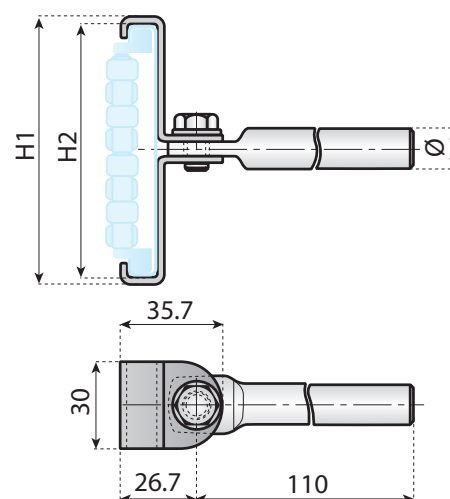
Thickness: S = 2.5 mm.
Surface: tumbling finish.
Note: the clamp is supplied without rod and bolt.
Supply: unassembled.



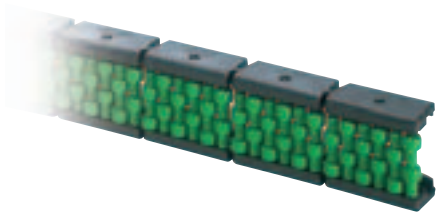
Code		Rod Ø	H1	H2	Profile Material
131164	Type A	12			SS
131165	Type A (2 roller)	14	56	51	304
131166	Type A (4 roller)	16			304
131167	Type A	12			SS
131168	Type A (4 roller)	14	88.4	83.4	304
131169	Type A (4 roller)	16			304

FIXING CLAMP WITH ROD

Material: clamp, rod, screw and washer in stainless steel.
Thickness: S = 2.5 mm.
Surface: tumbling finish.
Supply: unassembled.



FLEXIBLE ROLLER MODULES FOR STRAIGHT AND CURVED SECTIONS



FLEXIBLE ROLLER MODULES - TWO ROLLERS -

Material: straps and spacer in reinforced polyamide, rollers and pins in acetal resin, screws in stainless steel.

Application: designed for boxes and containers (glass and plastic bottles, tin cans, strong aluminium cans).

Features:

- Improved design • Smaller rollers and pitch • Improved performance • Reduced dimensions • Low noise rollers
- Excellent for accumulation areas • Long life and smooth operation. • Easy and quick installation.

Preferred type, readily available (codes marked in red)



Acetal resin



Polyamide



AISI 304
Stainless steel



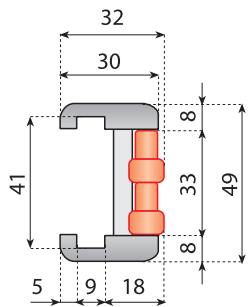
Accessories



PATENTED



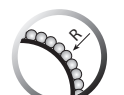
Anodized aluminium



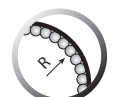
SINGLE MODULE



For flat bar 40x8



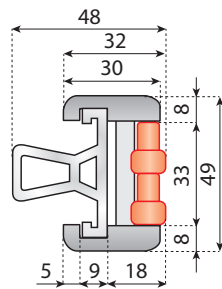
Internal curve
R min 250



External curve
R min 300

Code	Roller
16600	Orange
16600K	White
16600V	Green
16600W	Water blue

Supply:
single module L. 348 mm



WITH ALUMINIUM PROFILE



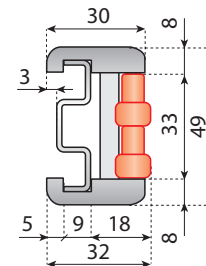
Internal curve
R min 500



External curve
R min 500

Code	Roller
16650	Orange
16650K	White
16650V	Green
16650W	Water blue

Supply:
3m aluminium profile, 9 roller modules



WITH STEEL PROFILE



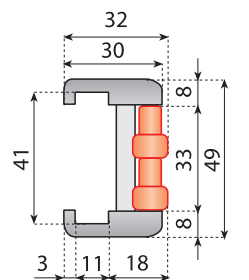
Internal curve
R min 400



External curve
R min 450

Code	Roller
16655	Orange
16655K	White
16655V	Green
16655W	Water blue

Supply:
3m stainless steel profile, 9 roller modules



SINGLE MODULE



For flat bar 40x10



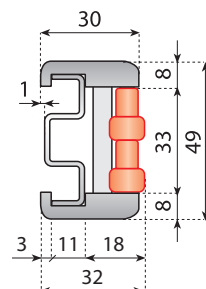
Internal curve
R min 250



External curve
R min 300

Code	Roller
16610	Orange
16610K	White
16610V	Green
16610W	Water blue

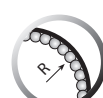
Supply:
single module L. 348 mm



WITH STEEL PROFILE



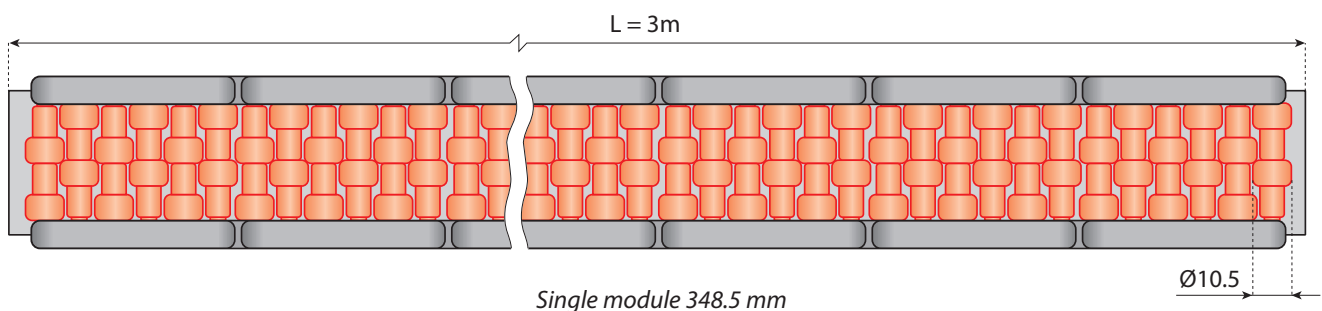
Internal curve
R min 400



External curve
R min 450

Code	Roller
16660	Orange
16660K	White
16660V	Green
16660W	Water blue

Supply:
3m steel profile, 9 roller modules



FLEXIBLE ROLLER MODULES FOR STRAIGHT AND CURVED SECTIONS



FLEXIBLE ROLLER MODULES - SINGLE ROLLER -

Material: straps and spacer in reinforced polyamide, rollers and pins in acetal resin, screws in stainless steel, metal profile in anodized aluminium.

Application: designed for boxes and containers (glass and plastic bottles, tin cans, strong aluminium cans).

Features:

- Improved design • Smaller rollers and pitch • Improved performance • Reduced dimensions • Low noise rollers
- Excellent for accumulation areas • Long life and smooth operation. • Easy and quick installation.

Preferred type, readily available (codes marked in red)



Acetal resin



Polyamide



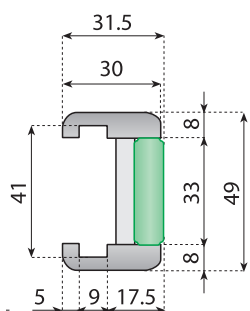
AISI 304
Stainless steel



Accessories



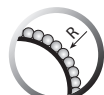
Anodized aluminium



SINGLE MODULE



For flat bar 40x8



Internal curve
R min 250



External curve
R min 300

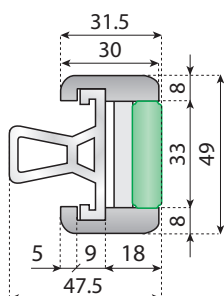


Code

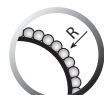
16605	Orange
16605K	White
16605V	Green
16605W	Water blue

Supply:

single module L. 348 mm



WITH ALUMINIUM PROFILE



Internal curve
R min 500



External curve
R min 500

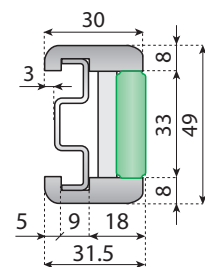


Code

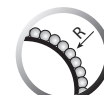
16651	Orange
16651K	White
16651V	Green
16651W	Water blue

Supply:

3m aluminium profile, 9 roller modules



WITH STEEL PROFILE



Internal curve
R min 400



External curve
R min 450

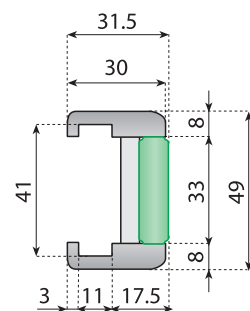


Code

16656	Orange
16656K	White
16656V	Green
16656W	Water blue

Supply:

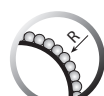
3m stainless steel profile, 9 roller modules



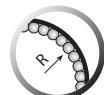
SINGLE MODULE



For flat bar 40x10



Internal curve
R min 250



External curve
R min 300

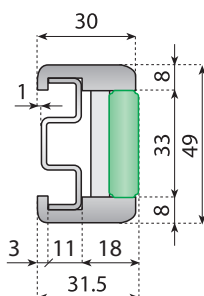


Code

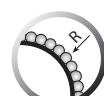
16615	Orange
16615K	White
16615V	Green
16615W	Water blue

Supply:

single module L. 348 mm



WITH STEEL PROFILE



Internal curve
R min 400



External curve
R min 450



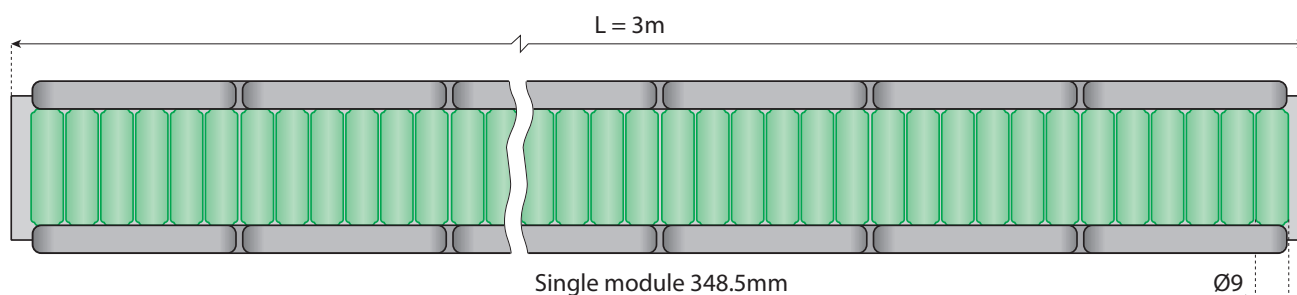
Code

16665	Orange
16665K	White
16665V	Green
16665W	Water blue

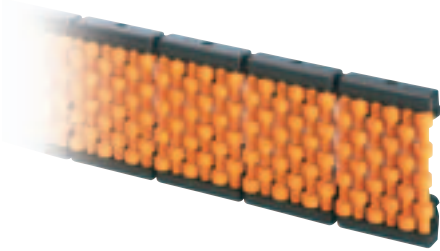
Supply:

3m steel profile, 9 roller modules

Mini Gap



FLEXIBLE ROLLER MODULES FOR STRAIGHT AND CURVED SECTIONS



FLEXIBLE ROLLER MODULES - FOUR ROLLERS -

Material: straps and spacers in reinforced polyamide, rollers in acetal resin, screws in stainless steel.

Application: designed for boxes and containers (glass and plastic bottles, tin cans, strong aluminium cans).



Acetal resin



Polyamide



AISI 304
Stainless steel



Accessories



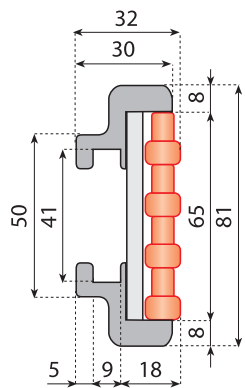
Anodized aluminium

Features:

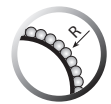
- Improved design • Smaller rollers and pitch • Improved performance • Reduced dimensions
- Low noise rollers • Excellent for accumulation areas • Long life and smooth operation • Easy and quick installation.

Preferred type, readily available (codes marked in red)

SINGLE MODULE



For flat bar 40x8

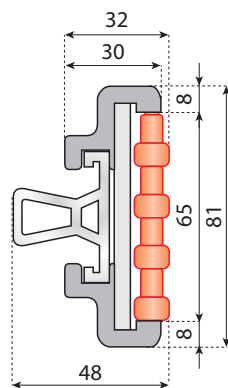


Internal curve
R min 250



External curve
R min 300

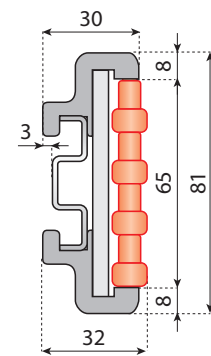
WITH ALUMINIUM PROFILE



Internal curve
R min 500

External curve
R min 500

WITH STEEL PROFILE



Internal curve
R min 400

External curve
R min 450

Code	Pin Material	Roller
16800	POM	Orange
16800K		White
16800V		Green
16800W		Water blue
16801	S/S AISI 430	Orange
16801K		White
16801V		Green
16801W		Water blue

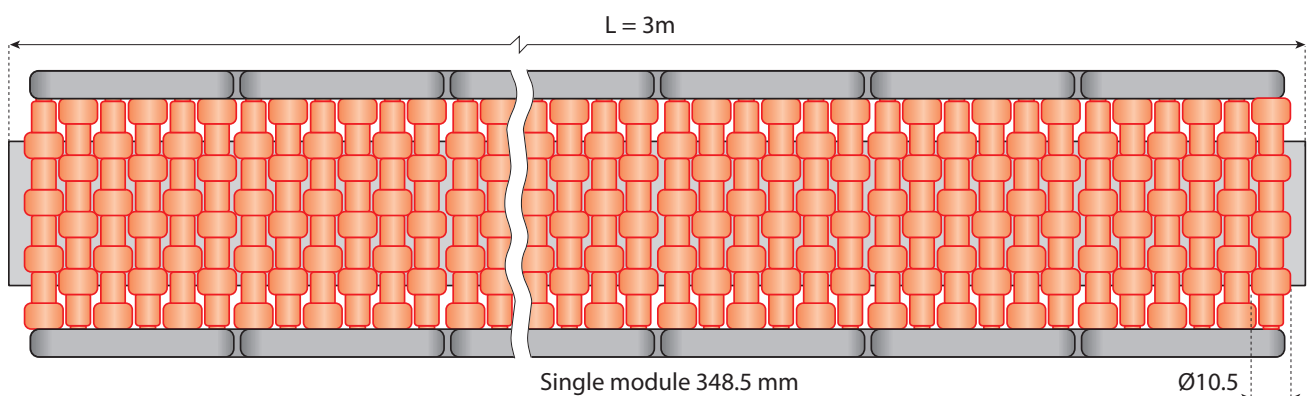
Code	Pin Material	Roller
16820	POM	Orange
16820K		White
16820V		Green
16820W		Water blue
16822	S/S AISI 430	Orange
16822K		White
16822V		Green
16822W		Water blue

Code	Pin Material	Roller
16825	POM	Orange
16825K		White
16825V		Green
16825W		Water blue
16827	S/S AISI 430	Orange
16827K		White
16827V		Green
16827W		Water blue

Supply:
single module L. 348 mm

Supply:
3m aluminium profile, 9 roller modules

Supply:
3m stainless steel profile, 9 roller modules



FLEXIBLE ROLLER MODULES FOR STRAIGHT AND CURVED SECTIONS



FLEXIBLE ROLLER MODULES - SINGLE ROLLER -

Material: straps and spacers in reinforced polyamide, rollers in acetal resin, screws in stainless steel.

Application: designed for boxes and containers (glass and plastic bottles, tin cans, strong aluminium cans).



Acetal resin



Polyamide



AISI 304
Stainless steel



Accessories



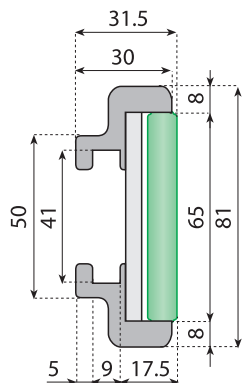
Anodized aluminium

Features:

- Improved design • Smaller rollers and pitch • Improved performance • Reduced dimensions
- Low noise rollers • Excellent for accumulation areas • Long life and smooth operation • Easy and quick installation.

Preferred type, readily available (codes marked in red)

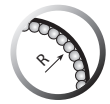
SINGLE MODULE



For flat bar 40x8

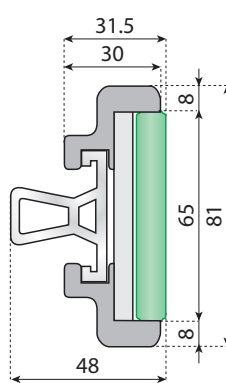


Internal curve
R min 250

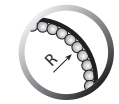


External curve
R min 300

WITH ALUMINIUM PROFILE

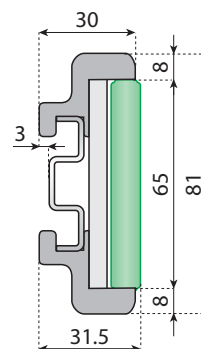


Internal curve
R min 500

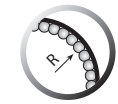


External curve
R min 500

WITH STEEL PROFILE



Internal curve
R min 400



External curve
R min 450

Code	Pin Material	Roller
16805	POM	Orange
16805K		White
16805V		Green
16805W		Water blue
16806	S/S AISI 430	Orange
16806K		White
16806V		Green
16806W		Water blue

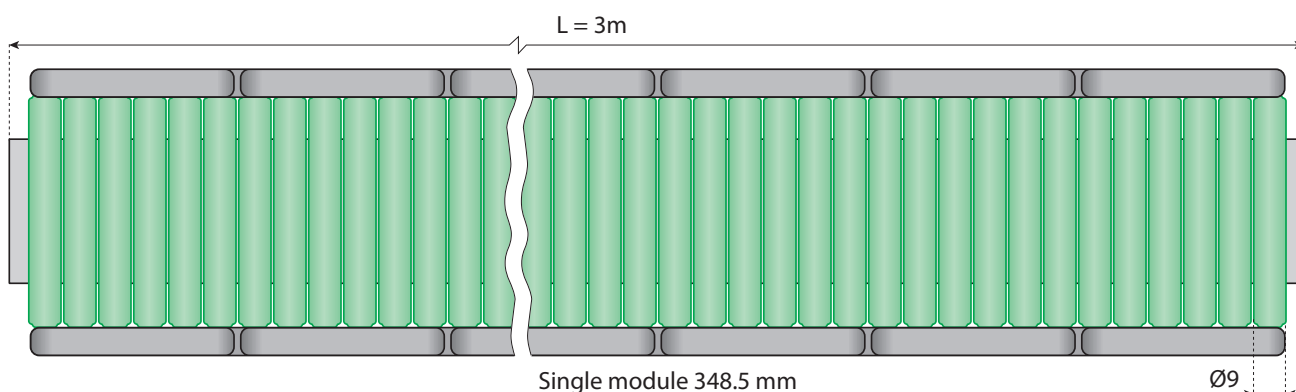
Supply:
single module L. 348 mm

Code	Pin Material	Roller
16821	POM	Orange
16821K		White
16821V		Green
16821W		Water blue
16823	S/S AISI 430	Orange
16823K		White
16823V		Green
16823W		Water blue

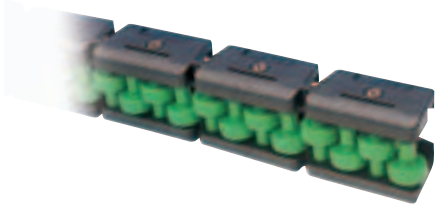
Supply:
3m aluminium profile, 9 roller modules

Code	Pin Material	Roller
16826	POM	Orange
16826K		White
16826V		Green
16826W		Water blue
16828	S/S AISI 430	Orange
16828K		White
16828V		Green
16828W		Water blue

Supply:
3m stainless steel profile, 9 roller modules



FLEXIBLE ROLLER MODULES FOR STRAIGHT AND CURVED SECTIONS



FLEXIBLE ROLLER MODULES - ONE ROLLER -

Material: straps in reinforced polyamide, rollers and pins in acetal resin, spacers in nickel plated brass, screws stainless steel.

Application: designed for rugged boxes and containers.

Features:

- Improved design • Smaller rollers and pitch • Improved performance • Reduced dimensions • Low noise rollers
- Excellent for accumulation areas • Long life and smooth operation. • Easy and quick installation.

Preferred type, readily available (codes marked in red)



Acetal resin



Polyamide



AISI 304
Stainless steel



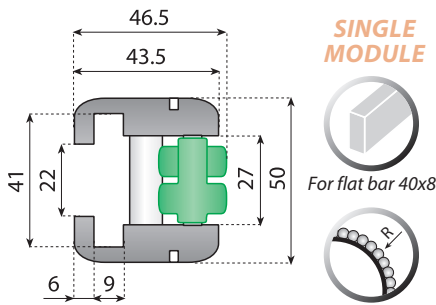
Accessories



PATENTED



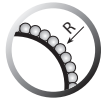
Anodized aluminium



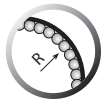
SINGLE MODULE



For flat bar 40x8



Internal curve
R min 250



External curve
R min 300

Code

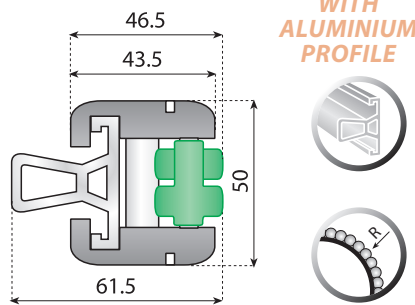
16500 Green
16500K White



Roller
Green
White

Supply:

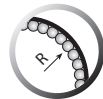
single module L. 338 mm



WITH ALUMINIUM PROFILE



Internal curve
R min 500



External curve
R min 500

Code

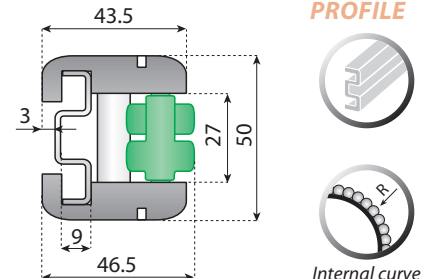
16551 Green
16551K White



Roller
Green
White

Supply:

3m aluminium profile, 9 roller modules



WITH STEEL PROFILE



Internal curve
R min 400



External curve
R min 400

Code

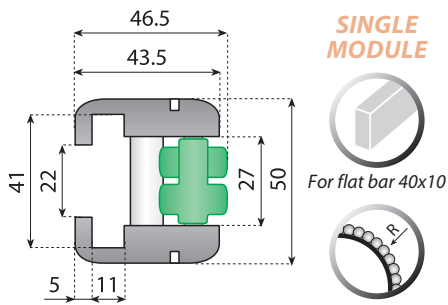
16550 Green
16550K White



Roller
Green
White

Supply:

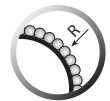
3m stainless steel profile, 9 roller modules



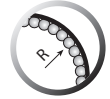
SINGLE MODULE



For flat bar 40x10



Internal curve
R min 250



External curve
R min 300

Code

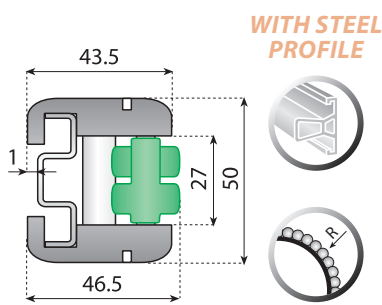
16505 Green
16505K White



Roller
Green
White

Supply:

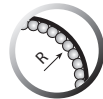
single module L. 338 mm



WITH STEEL PROFILE



Internal curve
R min 400



External curve
R min 400

Code

16555 Green
16555K White

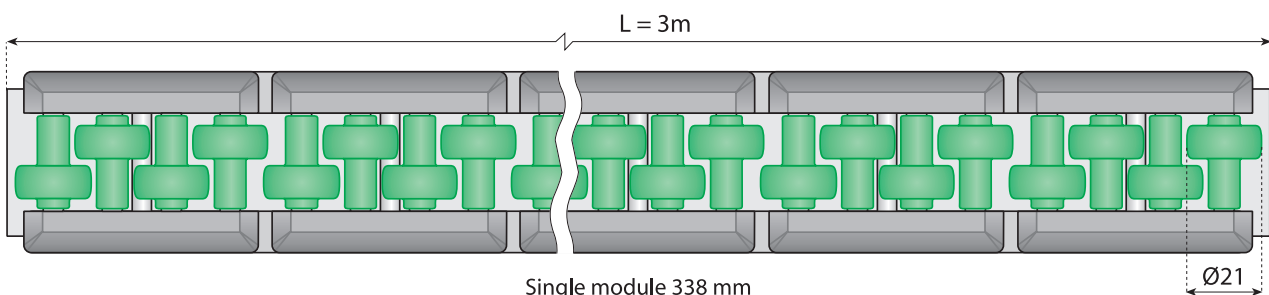


Roller
Green
White

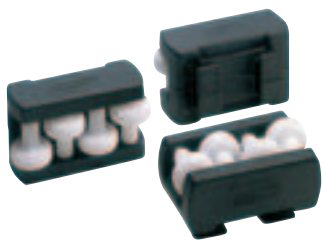
Supply:

3m steel profile, 9 roller modules

Heavy duty version



ACCUMULATION ROLLER MODULES FOR CURVED SECTIONS



ACCUMULATION ROLLER MODULES FOR CURVED SECTIONS - ONE ROLLER -

Material: straps in reinforced polyamide, rollers in acetal resin.
Pins and metal profile see the table.

Antistatic version: straps in reinforced polyamide conductive, rollers and pins in acetal resin conductive.

Supply: single module L. 76 mm.

Standard packaging: 50 modules.

Applications: designed for rugged boxes and containers.

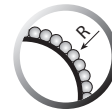
👉 Preferred type, readily available (codes marked in red)



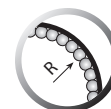
Acetal resin



Polyamide



Internal curve
R min 460



External curve
R min 600



[Accessories](#)



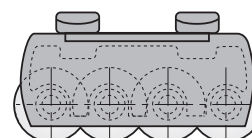
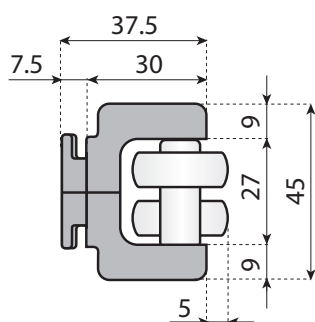
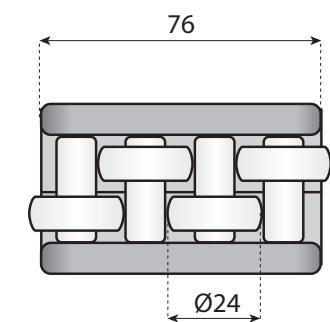
430 Stainless steel



Features:

- Excellent for accumulation areas.
- Easy and quick installation.
- Low noise rollers.
- Long life and smooth operation.

Code	Kg/m	Pin Material	Roller
16305	0.15	POM	White
16305V			Green
16305AS			Black Antistatic
16305SS	0.20	S/S AISI 430F	White
16305SSV			Green
16305ASS			Black Antistatic



Cavity between the rail and the roller block provides a position for the rail clamp and this design feature also prevents the lateral movement of the roller blocks without the need for screws or other fixing methods.

ACCUMULATION ROLLER SIDE GUIDES FOR CURVED SECTIONS

ACCUMULATION ROLLER SIDE GUIDES FOR CURVED SECTIONS - ONE ROLLER -



Material: straps in reinforced polyamide, rollers in acetal resin.
Pins and metal profile see the table.

Supply: 3m steel profile with 39 roller blocks.

Standard packaging: 2 guides completely assembled.

Application: designed for rugged boxes and containers.

Note: roll sections can be quickly assembled by simply sliding into the rail. Once assembled and the rail is located using clamps the sections can not move laterally. The clamp is designed to fit into the slot in the back of a section as indicated in the sketch below.

Preferred type, readily available (codes marked in red)

Features:

- Excellent for accumulation areas.
- Easy and quick installation.
- Low noise rollers.
- Long life and smooth operation.

Code	Kg/m	Pin Material	Profile Material	Roller
16300	2.75	POM	S/S	White
16300V			AISI 304	Green
16301	2.75	POM	Zinc plated steel	White
16301V				Green
16302	3.40	S/S	S/S	White
16302V		AISI 430F	AISI 304	Green
16303	3.40	S/S	Zinc plated steel	White
16303V		AISI 430F		Green
16300AS	2.75	POM	S/S	Black/Antistatic
16301AS		Antistatic	AISI 304	Black/Antistatic
16302AS	3.40	S/S	Zinc plated steel	Black/Antistatic
16303AS		AISI 430F		Black/Antistatic



Acetal resin
conductive



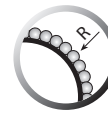
Polyamide
conductive



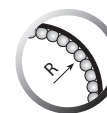
Acetal resin



Polyamide



Internal curve
R min 460



External curve
R min 600



Accessories



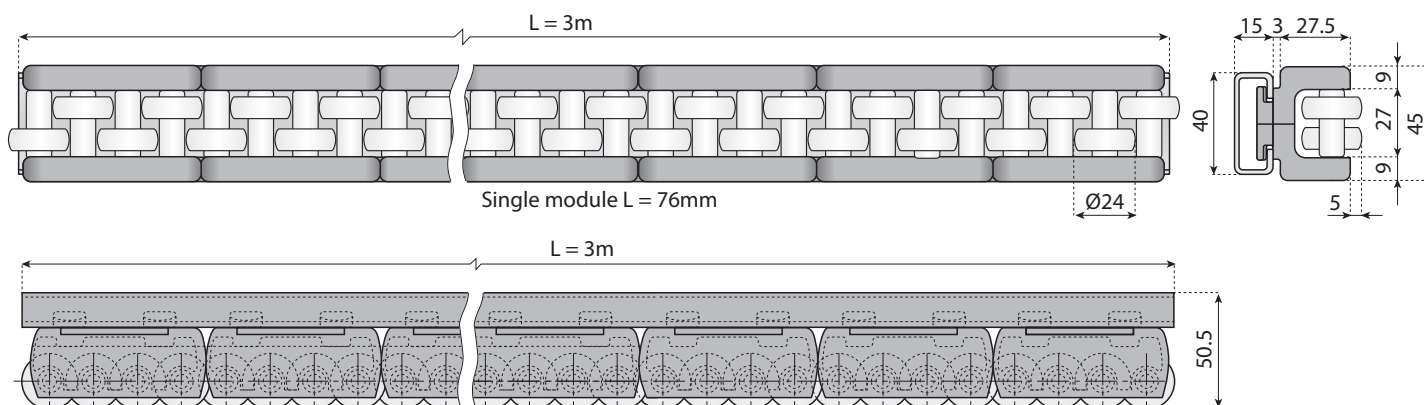
Zinc plated steel



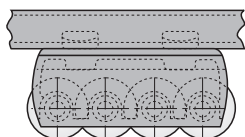
AISI 304
Stainless steel



AISI 430
Stainless steel

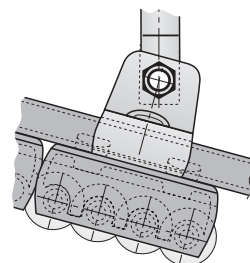


Cavity between the rail and the roller block provides a position for the rail clamp and this design feature also prevents the lateral movement of the roller blocks without the need for screws or other fixing methods.

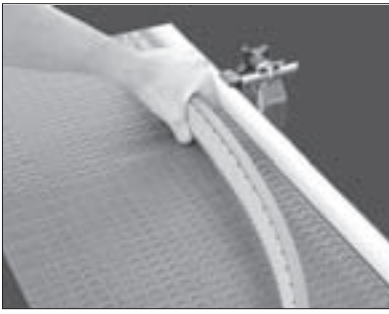


Blocking:

Clamps fix metal profile and lateral straps, thus avoiding accidental sliding.



FLEXIBLE LIGHT DUTY SPEEDRAIL™ & SPEEDROLL™



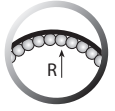
FLEXIBLE LIGHT DUTY SPEEDRAIL™ & SPEEDROLL™

Material: straps in PVC, rollers in acetal resin.
Screws in stainless steel.
Operating temperature range: -10°F to + 180°F

Features:

- Bend by hand to create corners or S-curves easily.
- Can be twisted to help invert containers.
- Saves time and labor associated with machine bending.
- Compatible with other Valu Guide components.
- Available with beads or roller.

 Preferred type, readily available (codes marked in red)

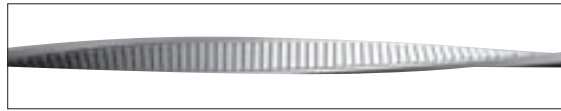
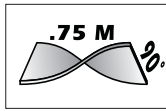


Stainless steel




Min. bending Radius 450



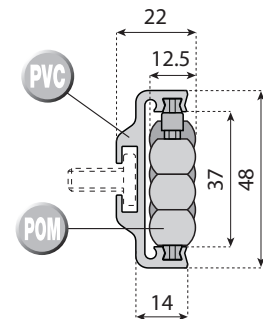
Par. # 6,516,933 (USA)






687 FLEX - FLEXIBLE SPEEDRAIL SB™

Code	Ref.			
16S00300	VG-687FLEX-37-3M	n°6*	3 m	n°2

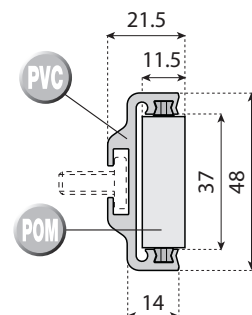
* Number of **13S00256** bolts included.



688 FLEX - FLEXIBLE SPEEDROLL SB™

Code	Ref.			
16S00301	VG-688FLEX-37-3M	n°6*	3 m	n°2

* Number of **13S00256** bolts included.



VALU GUIDE COMBINERS - ACCESSORIES

 Preferred type, readily available (codes marked in red)



Stainless steel





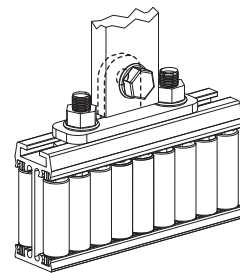
PVC





Consult pages
164 → 168

687 BSC - BACK SLOT CLOSING PROFILE

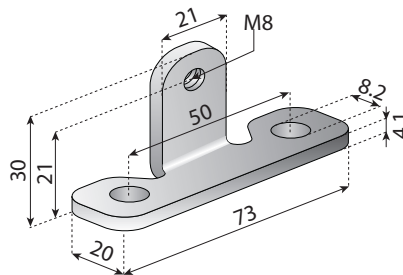
Code	Ref.			Material
16S00302-25	VG-687BSC-25	7.63 m		
16S00302-50	VG-687BSC-50	15.24 m	-	PVC
16S00302-15	VG-687BSC-15	4.52 m		



687 LAB - LANE DIVIDER BRACKET

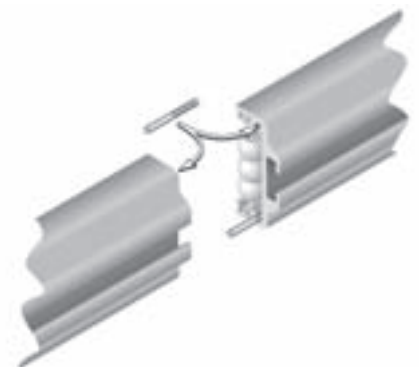
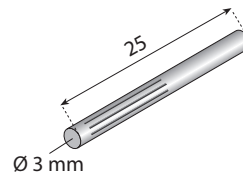
Code	Ref.			Material
16S00150	VG-687LDB-M8	n°2*	n°10	SS

* Number of **13S00256** bolts included.



687 SP - SPLICING PINS



Code	Ref.		Material
16S00155	VG-687SP	n°12	SS

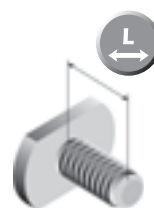


For use with:

VG-687-37
VG-687H-37
VG-687-83
VG-687H-83

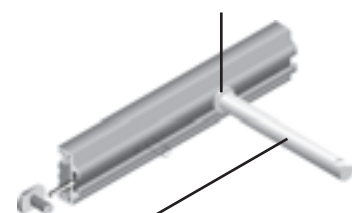
1568M - T-HEAD SCREWS M8

Code	Ref.	Thread			Material
13S00255	VG-1568M-01	16 mm			
13S00256	VG-1568M-02	19 mm	n°10		SS
13S00258	VG-1568M-04	32 mm			



M8

Flat washer recommended



13912 or 13914

SIDE PLOW FOR VALU GUIDE COMBINERS

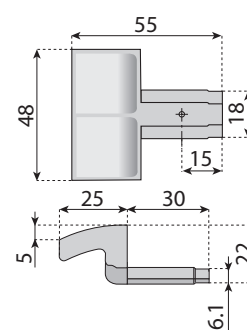
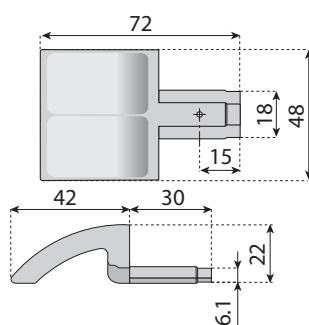
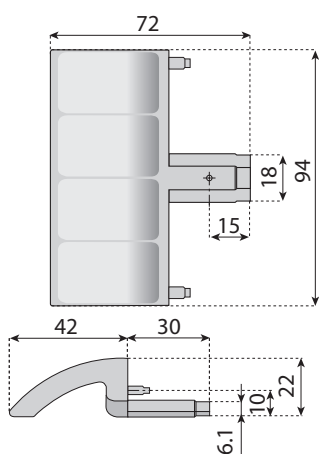
 Preferred type, readily available (codes marked in red)



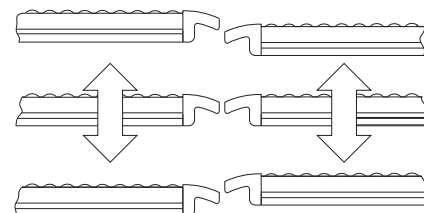
16713

16712

16714






**MOLDED
VERSION**

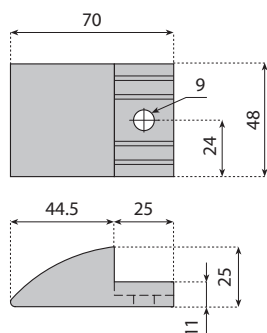


Material: side plow in POM acetal, screw in stainless steel.

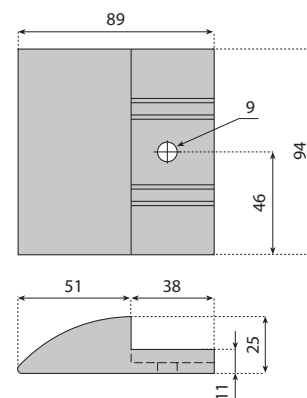
Features:

- Optimum guiding of packs
- Easy assembly

Code	For Guide Ref.			
16712	VG-687H-37 / VG-688H-37			
16713	VG-687H-83 / VG-688H-83	n° 20	POM	Light Grey
16714	VG-687H-37 / VG-688H-37			






**MACHINED
VERSION**






MSP 37 - SIDE PLOW

MSP 83 - SIDE PLOW

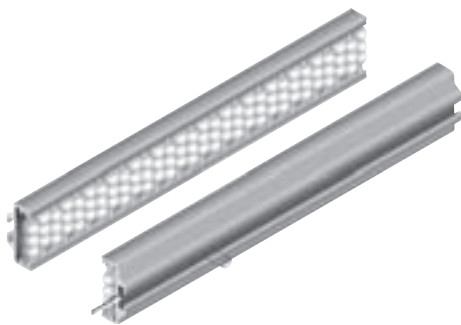
Code	For Guide Ref.			
16500153	VG-687H-37 / VG-688H-37	n°4	Nolu-S	Light Grey

Stainless steel fastener included.

Code	For Guide Ref.			
16500154	VG-687H-83 / VG-688H-83	n°4	Nolu-S	Light Grey

Stainless steel fastener included.

VALU GUIDE COMBINERS



ALUMINUM SPEEDRAIL SB

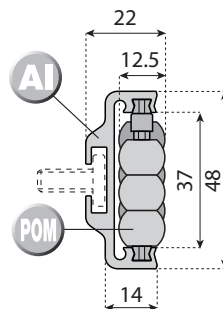
Material: straps in aluminum, rollers in acetal resin. Screws in stainless steel.

Features:

- Easy mounting
- Great for polywrapped containers or PET
- On site bendable
- Cut to desired length
- FDA approved engineered polymer

Preferred type, readily available (codes marked in red)

687H 37 - ALUMINUM SPEEDRAIL SB™ 48mm



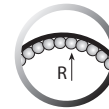
Acetal resin



Aluminum



[T-head screw M8 Splicing Pins](#)



Min. bending Radius 304mm



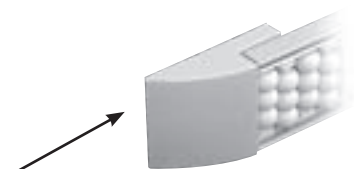
Par. # 6,516,933 (USA)



[Consult pages 105 → 109 for bending machines](#)

Code	Ref.			
16S00100	VG-687H-37-2M	n°5*	2 m	n°2
16S00101	VG-687H-37-3M	n°6*	3 m	n°2

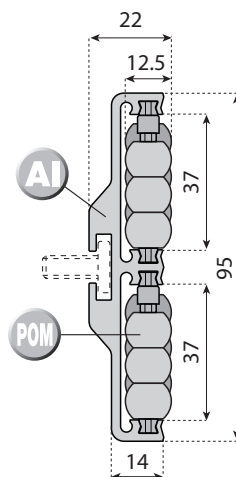
* Number of **13S00256** bolts included.



SIDE PLOW (page 157)



687H 83 - ALUMINUM SPEEDRAIL SB™ 95mm



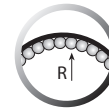
Acetal resin



Aluminum



[T-head screw M8 Splicing Pins](#)

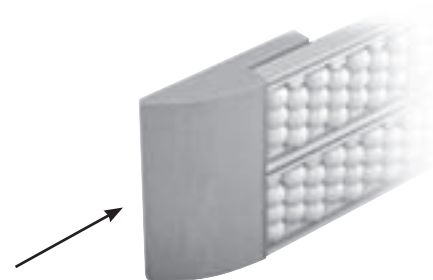


Min. bending Radius 508mm



Par. # 6,516,933 (USA)

Code	Ref.			
16S00102	VG-687H-83-2M	n°5*	2 m	n°2
16S00103	VG-687H-83-3M	n°6*	3 m	n°2



SIDE PLOW (page 157)

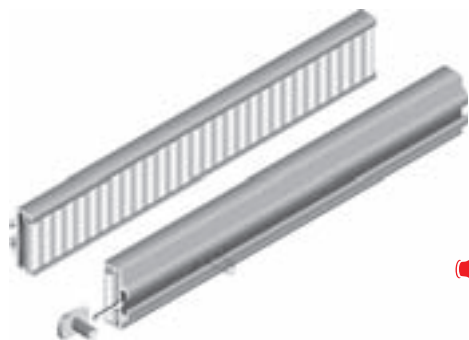
ALUMINUM SPEEDROLL SB

Material: straps in aluminum, rollers in acetal resin. Screws in stainless steel.


Features:

- Easy mounting
- Great for polywrapped containers or PET
- On site bendable
- Cut to desired length
- FDA approved engineered polymer

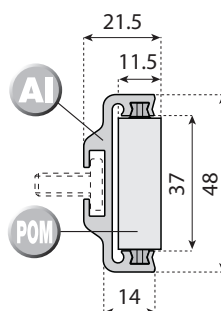
 Preferred type, readily available (codes marked in red)



688H 37 - ALUMINUM SPEEDROLL™ 48mm

Code	Ref.			
16S00250	VG-688H-37-2M	n°5*	2 m	n°2
16S00251	VG-688H-37-3M	n°6*	3 m	n°2

* Number of 13S00256 bolts included.



SIDE PLOW (page 157)



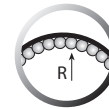
Acetal resin



Aluminum



[T-head screw M8 Splicing Pins](#)



Min. bending Radius 304mm






Par. # 6,516,933 (USA)



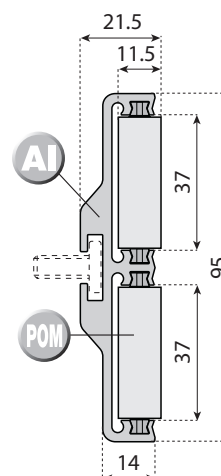
[Consult pages 105 → 109 for bending machines](#)



688H 83 - ALUMINUM SPEEDROLL™ 95mm

Code	Ref.			
16S00252	VG-688H-83-2M	n°5*	2 m	n°2
16S00253	VG-688H-83-3M	n°6*	3 m	n°2

* Number of 13S00256 bolts included.



SIDE PLOW (page 157)



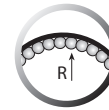
Acetal resin



Aluminum



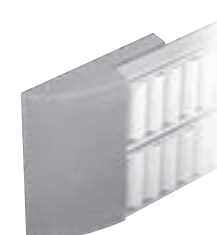
[T-head screw M8 Splicing Pins](#)



Min. bending Radius 508mm



Par. # 6,516,933 (USA)



VALU GUIDE COMBINERS



ALUMINUM SPEEDRAIL™

Material: straps in aluminum, rollers in acetal resin. Screws in stainless steel.

Features:

- Easy to bend (inner and outer curves)
- Can be cut to any length between beads
- FDA approved engineered polymer

Preferred type, readily available (codes marked in red)



Consult pages
105 → 109 for
bending machines



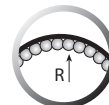
Acetal resin



Aluminum



T-head screw M8
Splicing Pins



Min. bending
Radius 508mm



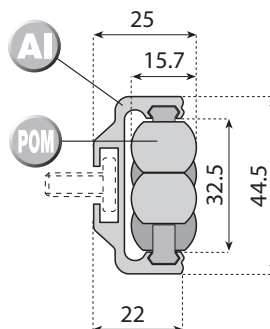
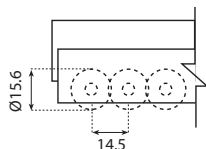
PATENTED



PATENT FEATURE

Par. # 6,516,933
(USA)

686A 30 - ALUMINUM SPEEDRAIL™ 42mm

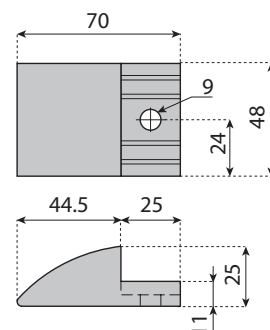


Code	Ref.			
16S00001	VG-686A-30-2M	n°5*	2 m	n°2
16S00002	VG-686A-30-3M	n°6*	3 m	

* Number of **13S00256** bolts included.

MSP 30 - SIDE PLOW

Code	Ref.			
16S00006	VG-686MSP-30	n°4	Nolu-S	Light Grey



ALUMINUM SPEEDRAIL™

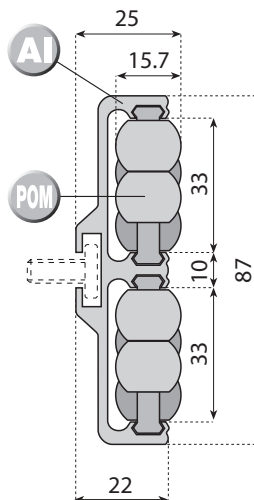
Material: straps in aluminum, rollers in acetal resin. Screws in stainless steel.

Features:

- A wider bead-guide surface
- Easy to bend (inner and outer curves)
- Can be cut to any length between beads
- FDA approved engineered polymer



686A 76 - ALUMINUM SPEEDROLL™ 87mm

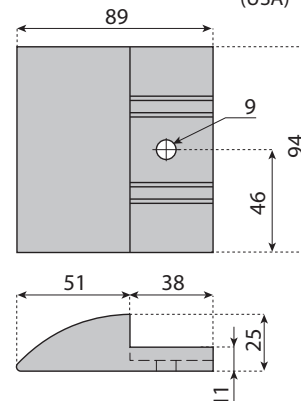


Code	Ref.			
16S00004	VG-686A-76-2M	n°5*	2 m	n°2
16S00005	VG-686A-76-3M	n°6*	3 m	

* Number of **13S00256** bolts included.

MSP 76 - SIDE PLOW

Code	Ref.			
16S00007	VG-686MSP-76	n°4	Nolu-S	Light Grey



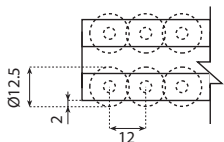
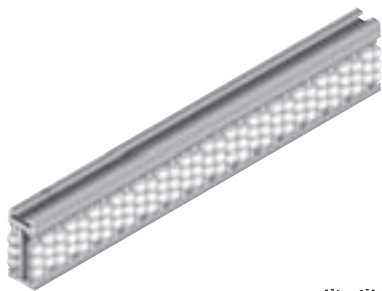
ALUMINUM SPEEDRAIL SB™

Material: straps in aluminum, rollers in acetal resin. Screws in stainless steel.




Features:

- Easy mounting
- Great for polywrapped containers or PET
- On site bendable
- Cut to desired length
- FDA approved engineered polymer

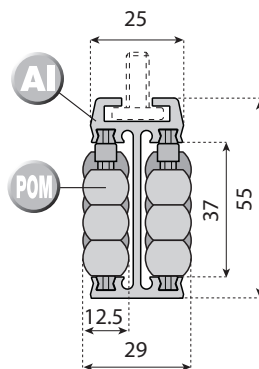
 Preferred type, readily available (codes marked in red)



687 37 - ALUMINUM SPEEDRAIL SB™ 55mm

Code	Ref.			
16S00050	VG-687-37-2M	n°5*	2 m	n°2
16S00051	VG-687-37-3M	n°6*	3 m	n°2

* Number of 13S00256 bolts included.



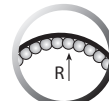
Acetal resin



Aluminum



[T-head screw M8 Splicing Pins](#)



Min. bending Radius 760 mm






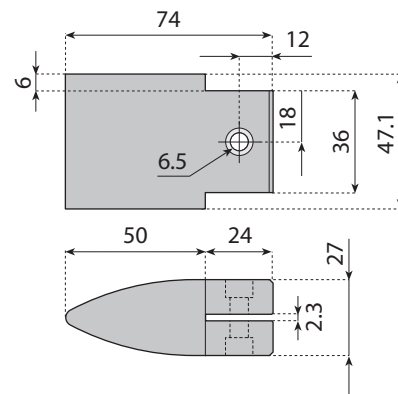
Par. # 6,516,933 (USA)






[Consult pages 105 → 109 for bending machines](#)

MNP 37 - NOSE PLOW

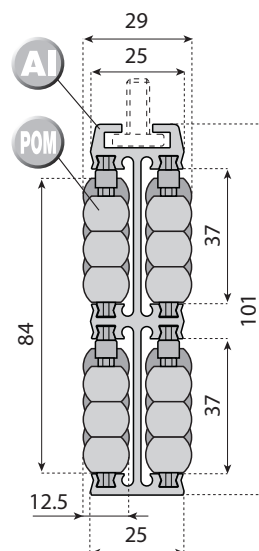
Code	Ref.			
16S00151	VG-687MNP-37	n°4	Nolu-S	Light Grey



687 83 - ALUMINUM SPEEDRAIL SB™ 101mm

Code	Ref.			
16S00052	VG-687-83-2M	n°5*	2 m	n°2
16S00053	VG-687-83-3M	n°6*	3 m	n°2

* Number of 13S00256 bolts included.



Acetal resin



Aluminum



[T-head screw M8 Splicing Pins](#)



Min. bending Radius 760 mm



Par. # 6,516,933 (USA)

VALU GUIDE COMBINERS

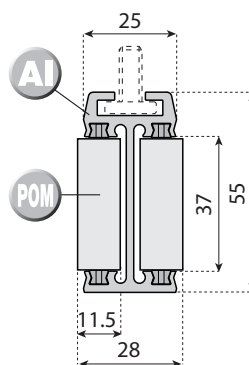
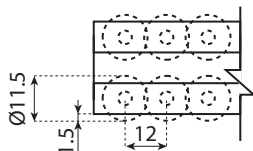
ALUMINUM SPEEDROLL SB

Material: straps in aluminum, rollers in acetal resin.
Screws in stainless steel.




Features:

- Easy mounting
- Great for polywrapped containers or PET
- On site bendable
- Cut to desired length
- FDA approved engineered polymer

 Preferred type, readily available (codes marked in red)



688 37 - ALUMINUM SPEEDROLL™ 55mm

Code	Ref.			
16S00200	VG-688-37-2M	n°5*	2 m	n°2
16S00201	VG-688-37-3M	n°6*	3 m	n°2

* Number of 13S00256 bolts included.



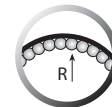
Acetal resin



Aluminum



[T-head screw M8 Splicing Pins](#)



Min. bending Radius 760 mm






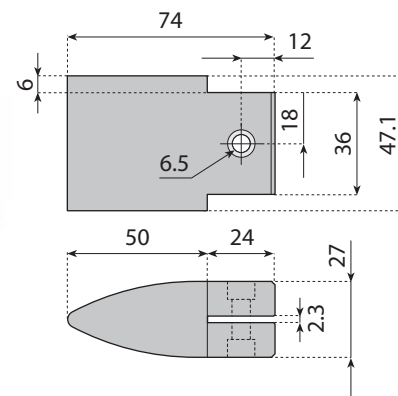
Par. # 6,516,933 (USA)






[Consult pages 105 → 109 for bending machines](#)

MNP 37 - NOSE PLOW

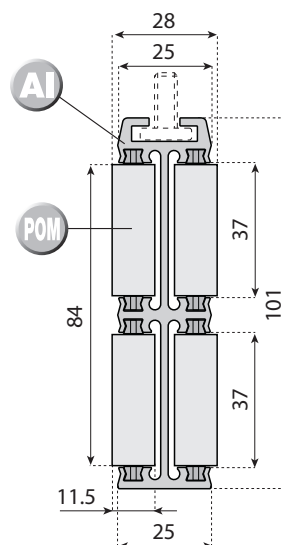
Code	Ref.			
16S00151	VG-687MNP-37	n°4	Nolu-S	Light Grey



688 83 - ALUMINUM SPEEDROLL™ 101mm

Code	Ref.			
16S00202	VG-688-83-2M	n°5*	2 m	n°2
16S00203	VG-688-83-3M	n°6*	3 m	n°2

* Number of 13S00256 bolts included.



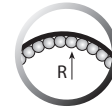
Acetal resin



Aluminum



[T-head screw M8 Splicing Pins](#)

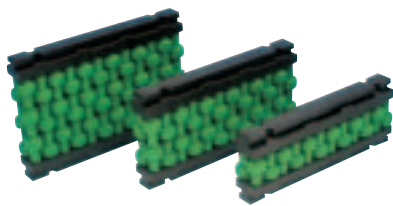


Min. bending Radius 760 mm



Par. # 6,516,933 (USA)

INTERMEDIARY ROLLER MODULES FOR STRAIGHT SECTIONS



INTERMEDIARY ROLLER MODULES FOR STRAIGHT SECTIONS

ONE ROLLER • TWO ROLLERS • THREE ROLLERS

Material: straps in reinforced polyamide, rollers in acetal resin, screws in stainless steel. Pins see the table.

Conductive version: straps in reinforced polyamide conductive, rollers and pins in acetal resin conductive.

Supply: single module L. 168 mm.

Standard packaging: 40 modules.

Applications: designed for rugged boxes and containers.

Features:

- Low noise rollers.
- Excellent for accumulation areas.
- Long life and smooth operation.
- Easy and quick installation.

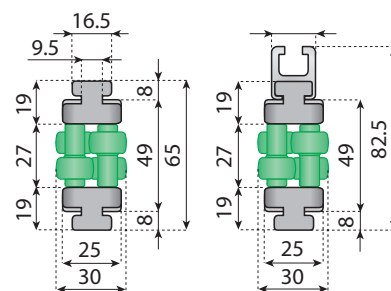
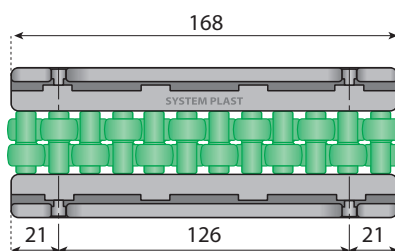
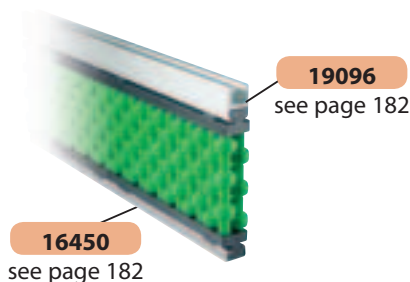
Preferred type, readily available (codes marked in red)

ONE ROLLER MODULE

Components:

N° 24 Pins • N° 24 Rollers • N° 2 Straps.

Code	Kg/m	Pin Material	Roller
16351	0.27	POM	Green
16351B		POM	White
16351AS	0.44	POM Antistatic	Antistatic black
16351SS		S/S	Green
16351SSB		AISI 430F	White
16351ASS			Antistatic black

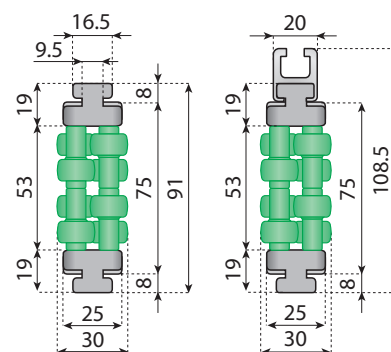
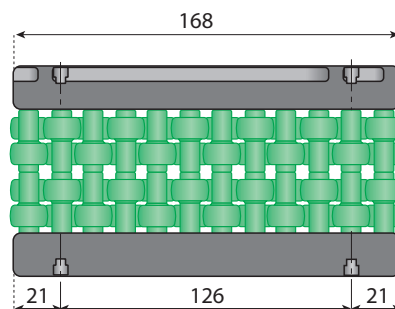


TWO ROLLERS MODULE

Components:

N° 24 Pins • N° 48 Rollers • N° 2 Straps.

Code	Kg/m	Pin Material	Roller
16352	0.32	POM	Green
16352B		POM	White
16352AS	0.66	POM Antistatic	Antistatic black
16352SS		S/S	Green
16352SSB		AISI 430F	White
16352ASS			Antistatic black

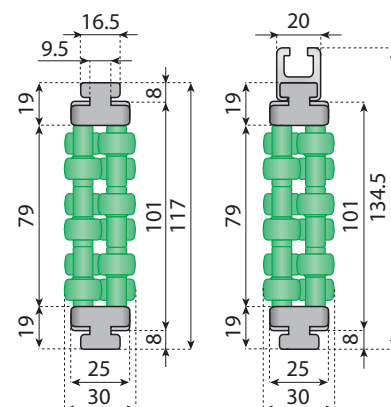
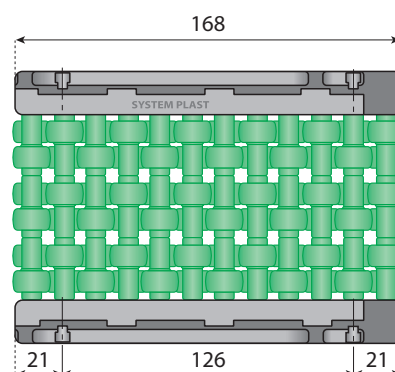


THREE ROLLERS MODULE

Components:

N° 24 Pins • N° 72 Rollers • N° 2 Straps.

Code	Kg/m	Pin Material	Roller
16353SS	0.88	S/S	Green
16353SSB		AISI 430F	White
16353ASS			Antistatic black



Acetal resin



Polyamide



Acetal resin conductive



Polyamide conductive



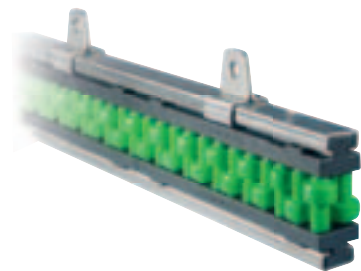
Accessories



AISI 304 Stainless steel



INTERMEDIARY ROLLER GUIDE WITH STEEL PROFILE FOR STRAIGHT SECTIONS



INTERMEDIARY ROLLER GUIDE WITH STEEL PROFILE FOR STRAIGHT SECTIONS - ONE ROLLER -

Material: straps in reinforced polyamide, rollers in acetal resin, screws in stainless steel.

Pins and metal profile see the table.

Supply: 1m steel profile with 6 roller modules.

2m steel profile with 12 roller modules.

3m steel profile with 18 roller modules.

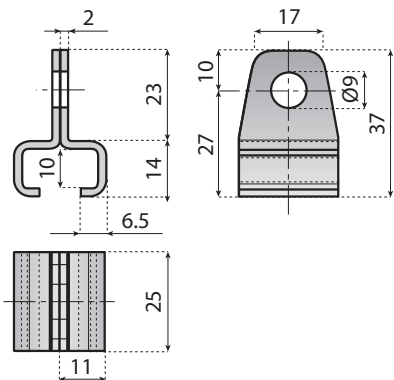
Standard packaging: 5 completely assembled profiles.

Applications: designed for rugged boxes and containers.

Preferred type, readily available (codes marked in red)

Features:

- Low noise rollers.
- Excellent for accumulation areas.
- Long life and smooth operation.
- Easy and quick installation.



CLAMP

Code	Material	
13833	SS AISI 304	n°50

Code				Profile Material	
16150		1 m			Green
16150B		1 m			White
16151	2.42	2 m	POM	S/S AISI 304	Green
16151B		2 m			White
16152		3 m			Green
16152B		3 m			White
16160		1 m			Green
16160B		1 m			White
16161	2.42	2 m	POM	Zinc plated steel	Green
16161B		2 m			White
16162		3 m			Green
16162B		3 m			White
16150SS		1 m			Green
16150SSB		1 m			White
16151SS	3.44	2 m	S/S AISI 430F	S/S AISI 304	Green
16151SSB		2 m			White
16152SS		3 m			Green
16152SSB		3 m			White
16160SS		1 m			Green
16160SSB		1 m			White
16161SS	3.44	2 m	S/S AISI 430F	Zinc plated steel	Green
16161SSB		2 m			White
16162SS		3 m			Green
16162SSB		3 m			White
16150AS		1 m	POM	S/S AISI 304	Antistatic black
16151AS	2.42	2 m	Antistatic		
16152AS		3 m			
16160AS		1 m	POM	Zinc plated steel	Antistatic black
16161AS	2.42	2 m	Antistatic		
16162AS		3 m			
16150ASS		1 m	S/S AISI 430F	S/S AISI 304	Antistatic black
16151ASS	3.44	2 m			
16152ASS		3 m			
16160ASS		1 m	S/S AISI 430F	Zinc plated steel	Antistatic black
16161ASS	3.44	2 m			
16162ASS		3 m			



Polyamide conductive



Acetal resin conductive



Polyamide



Zinc plated steel



Acetal resin



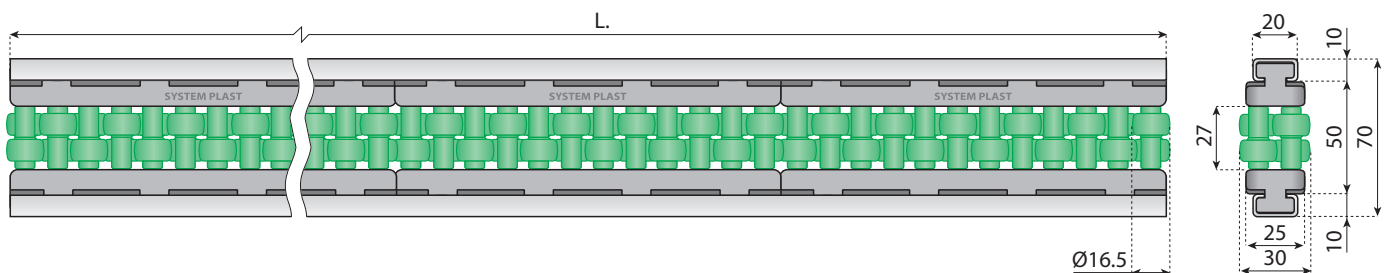
AISI 430 Stainless steel



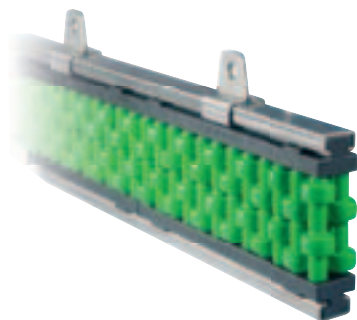
AISI 304 Stainless steel



Accessories



INTERMEDIARY ROLLER GUIDE WITH STEEL PROFILE FOR STRAIGHT SECTIONS



INTERMEDIARY ROLLER GUIDE WITH STEEL PROFILE FOR STRAIGHT SECTIONS - TWO ROLLERS -

Material: straps in reinforced polyamide, rollers in acetal resin, screws in stainless steel.

Pins and metal profile see the table.

Supply: 1m steel profile with 6 roller modules.

2m steel profile with 12 roller modules.

3m steel profile with 18 roller modules.

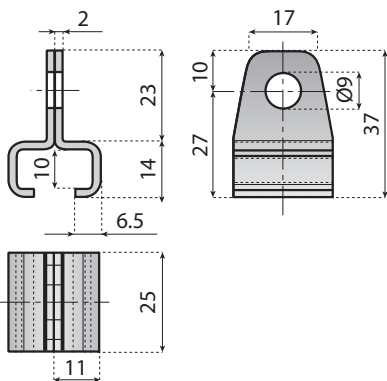
Standard packaging: 5 completely assembled profiles.

Applications: designed for rugged boxes and containers.

Preferred type, readily available (codes marked in red)

Features:

- Low noise rollers.
- Excellent for accumulation areas.
- Long life and smooth operation.
- Easy and quick installation.



CLAMP

Code	Material	Pin
13833	SS AISI 304	n°50

Code	Kg/m	L	Pin Material	Profile Material	Roller
16153		1 m			Green
16153B		1 m			White
16154	2.72	2 m	POM	S/S AISI 304	Green
16154B		2 m			White
16155		3 m			Green
16155B		3 m			White
16163		1 m			Green
16163B		1 m			White
16164	2.72	2 m	POM	Zinc plated steel	Green
16164B		2 m			White
16165		3 m			Green
16165B		3 m			White
16153SS		1 m			Green
16153SSB		1 m			White
16154SS	4.76	2 m	S/S AISI 430F	S/S AISI 304	Green
16154SSB		2 m			White
16155SS		3 m			Green
16155SSB		3 m			White
16163SS		1 m			Green
16163SSB		1 m			White
16164SS	4.76	2 m	S/S AISI 430F	Zinc plated steel	Green
16164SSB		2 m			White
16165SS		3 m			Green
16165SSB		3 m			White
16153AS		1 m	POM	S/S AISI 304	Antistatic black
16154AS	2.72	2 m	Antistatic		
16155AS		3 m			
16163AS		1 m	POM	Zinc plated steel	Antistatic black
16164AS	2.72	2 m	Antistatic		
16165AS		3 m			
16153ASS		1 m	S/S AISI 430F	S/S AISI 304	Antistatic black
16154ASS	4.76	2 m			
16155ASS		3 m			
16163ASS		1 m	S/S AISI 430F	Zinc plated steel	Antistatic black
16164ASS	4.76	2 m			
16165ASS		3 m			



Polyamide conductive



Acetal resin conductive



Polyamide



Zinc plated steel



Acetal resin



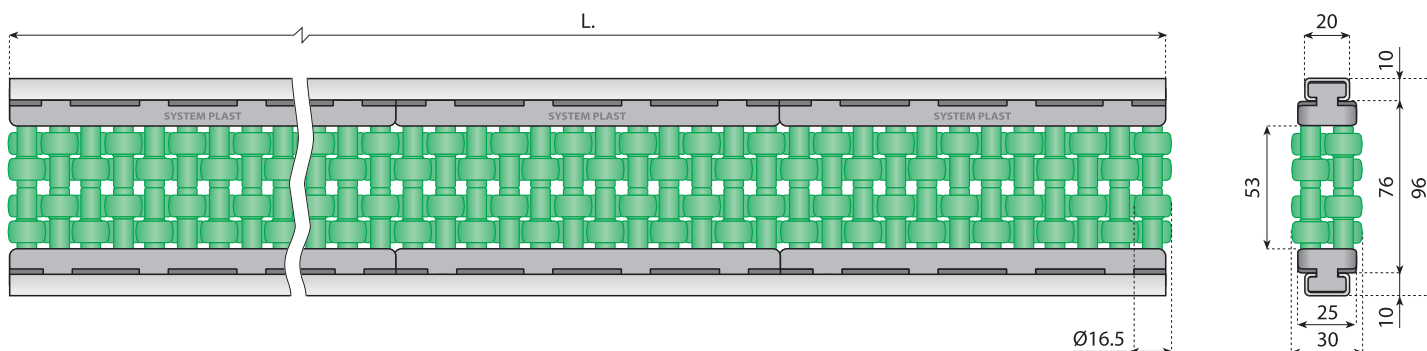
AISI 430 Stainless steel



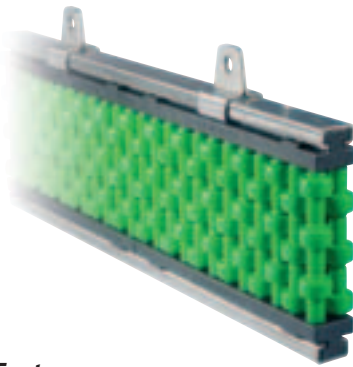
AISI 304 Stainless steel



Accessories



INTERMEDIARY ROLLER GUIDE WITH STEEL PROFILE FOR STRAIGHT SECTIONS



INTERMEDIARY ROLLER GUIDE WITH STEEL PROFILE FOR STRAIGHT SECTIONS - THREE ROLLERS -

Material: straps in reinforced polyamide, rollers in acetal resin, screws in stainless steel.
Pins and metal profile see the table.

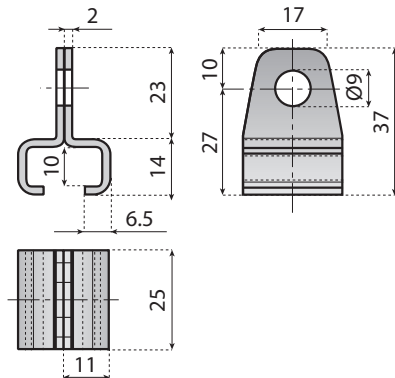
Supply: 1m steel profile with 6 roller modules.
2m steel profile with 12 roller modules.
3m steel profile with 18 roller modules.

Standard packaging: 5 completely assembled profiles.

Applications: designed for rugged boxes and containers.

Features:

- Low noise rollers.
- Excellent for accumulation areas.
- Long life and smooth operation.
- Easy and quick installation.



CLAMP

Code	Material	Pin
13833	SS AISI 304	n°50

Code	Kg/m	L	Pin Material	Profile Material	Roller
16156SS		1 m			Green
16156SSB		1 m			White
16157SS	6.08	2 m	S/S	S/S	Green
16157SSB		2 m	AISI 430F	AISI 304	White
16158SS		3 m			Green
16158SSB		3 m			White
16166SS		1 m			Green
16166SSB		1 m			White
16167SS	6.08	2 m	S/S	Zinc plated steel	Green
16167SSB		2 m	AISI 430F		White
16168SS		3 m			Green
16168SSB		3 m			White
16156AS		1 m	POM	S/S	Antistatic black
16157AS	3.08	2 m	Antistatic	AISI 304	
16158AS		3 m			
16166AS		1 m	POM	Zinc plated steel	Antistatic black
16167AS	3.08	2 m	Antistatic		
16168AS		3 m			
16156ASS		1 m	S/S	S/S	Antistatic black
16157ASS	6.08	2 m	AISI 430F	AISI 304	
16158ASS		3 m			
16166ASS		1 m	S/S	Zinc plated steel	Antistatic black
16167ASS	6.08	2 m	AISI 430F		
16168ASS		3 m			

Preferred type, readily available (codes marked in red)



Polyamide conductive



Acetal resin conductive



Polyamide



Zinc plated steel



Acetal resin



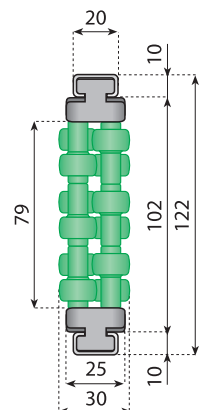
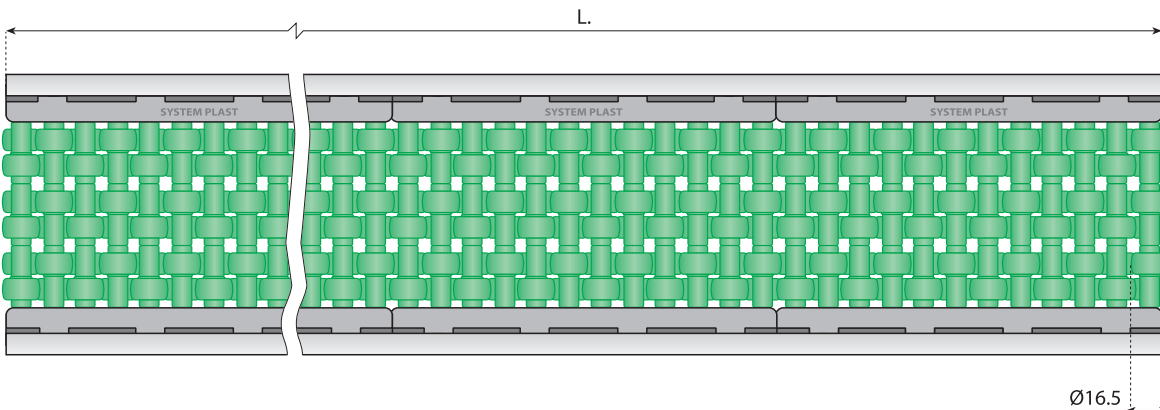
AISI 430 Stainless steel



AISI 304 Stainless steel



Accessories



INTERMEDIARY ROLLER MODULES FOR CURVED SECTIONS

INTERMEDIARY ROLLER MODULES FOR CURVED SECTIONS ONE ROLLER • TWO ROLLERS • THREE ROLLERS

Material: straps in reinforced polyamide, rollers in acetal resin, screws in stainless steel. Pins see the table.

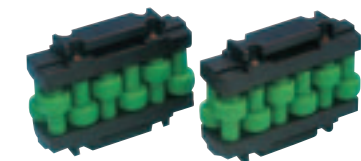
Conductive version: straps in reinforced polyamide conductive, rollers and pins in acetal resin conductive.

Supply: supplied as single module L. 85 mm.

Standard packaging: 40 modules.

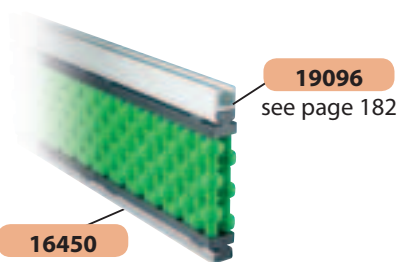
Applications: designed for rugged boxes and containers.

 Preferred type, readily available (codes marked in red)



Features:

- Low noise rollers.
- Excellent for accumulation areas.
- Long life and smooth operation.
- Easy and quick installation.



Acetal resin conductive



Polyamide conductive



Acetal resin



Polyamide



Accessories



AISI 430
Stainless steel

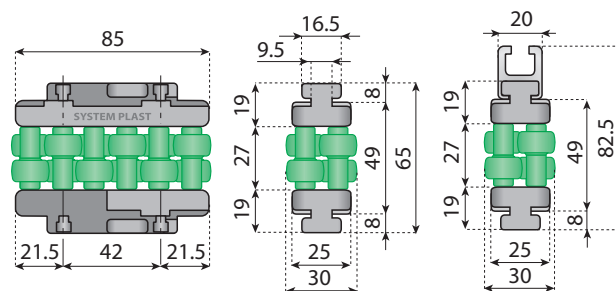


ONE ROLLER MODULE

Components:

N° 12 Pins • N° 12 Rollers • N° 2 Straps

Code	Kg/m	Pin Material	Roller
16451	0.14	POM	Green
16451B		POM	White
16451AS	0.23	POM Antistatic	Antistatic black
16451SS		S/S	Green
16451SSB		AISI 430F	White
16451ASS			Antistatic black

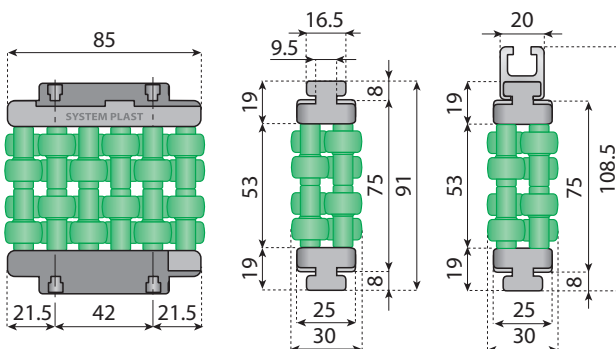


TWO ROLLERS MODULE

Components:

N° 12 Pins • N° 12 Rollers • N° 2 Straps

Code	Kg/m	Pin Material	Roller
16452	0.17	POM	Green
16452B		POM	White
16452AS	0.33	POM Antistatic	Antistatic black
16452SS		S/S	Green
16452SSB		AISI 430F	White
16452ASS			Antistatic black

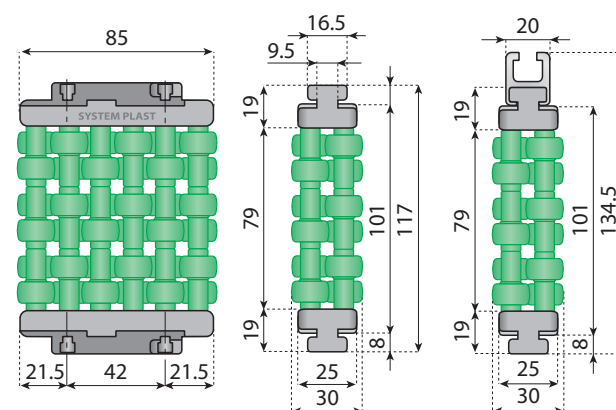


THREE ROLLERS MODULE

Components:

N° 12 Pins • N° 12 Rollers • N° 2 Straps

Code	Kg/m	Pin Material	Roller
16453SS	0.44	S/S	Green
16453SSB		AISI 430F	White
16453ASS			Antistatic black



INTERMEDIARY ROLLER GUIDE WITH STEEL PROFILE FOR CURVED SECTIONS

INTERMEDIARY ROLLER GUIDE WITH STEEL PROFILE FOR CURVED SECTIONS ONE ROLLER • TWO ROLLERS • THREE ROLLERS

Material: straps in reinforced polyamide, rollers in acetal resin, screws in stainless steel.
Pins and metal profile see the table.

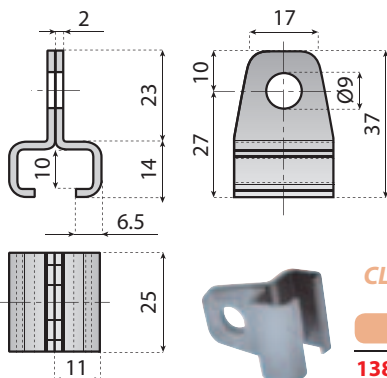
Supply: 3m steel profile with 35 roller modules 35 pieces.

Standard packaging: 5 completely assembled profiles.

Applications: designed for rugged boxes and containers.

Features:

- Low noise rollers.
- Excellent for accumulation areas.
- Long life and smooth operation.
- Easy and quick installation.



CLAMP

Code

13833

Material

SS AISI 304



n°50



Acetal resin conductive



Acetal resin



AISI 304 Stainless steel



Accessories



Polyamide conductive



Polyamide



AISI 430 Stainless steel

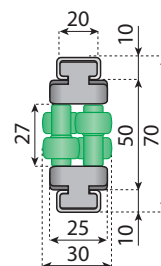
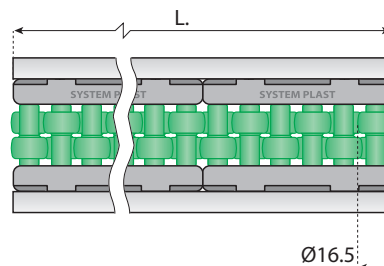


Zinc plated steel



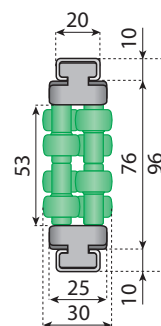
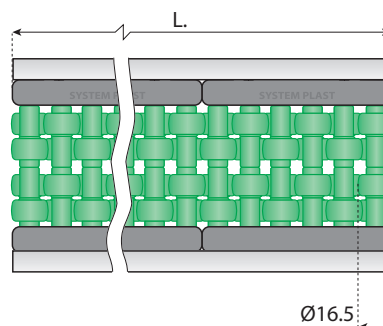
ONE ROLLER

Code	Kg/m	L	Pin Material	Profile Material	Roller
16200				S/S AISI 304	Green
16200B				S/S AISI 304	White
16201	1.9	3 m	POM	Zinc plated steel	Green
16201B				Zinc plated steel	White
16200SS				S/S AISI 304	Green
16200SSB	2.9	3 m	S/S AISI 430F	S/S AISI 304	White
16201SS				Zinc plated steel	Green
16201SSB				Zinc plated steel	White
16200AS	1.9	3 m	POM	S/S AISI 304	Antistatic black
16201AS			Antistatic	Zinc plated steel	black
16200ASS	2.9	3 m	S/S AISI 430F	S/S AISI 304	Antistatic black
16201ASS				Zinc plated steel	black



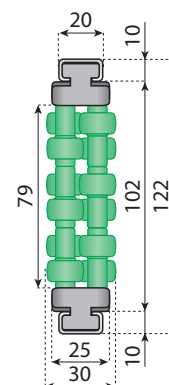
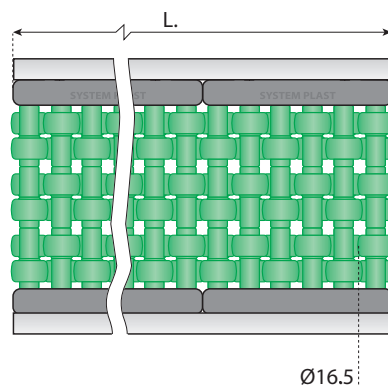
TWO ROLLERS

Code	Kg/m	L	Pin Material	Profile Material	Roller
16202				S/S AISI 304	Green
16202B				S/S AISI 304	White
16203	2.25	3 m	POM	Zinc plated steel	Green
16203B				Zinc plated steel	White
16202SS				S/S AISI 304	Green
16202SSB	4.15	3 m	S/S AISI 430F	S/S AISI 304	White
16203SS				Zinc plated steel	Green
16203SSB				Zinc plated steel	White
16202AS	2.25	3 m	POM	S/S AISI 304	Antistatic black
16203AS			Antistatic	Zinc plated steel	black
16202ASS	4.15	3 m	S/S AISI 430F	S/S AISI 304	Antistatic black
16203ASS				Zinc plated steel	black



THREE ROLLERS

Code	Kg/m	L	Pin Material	Profile Material	Roller
16204SS				S/S AISI 304	Green
16204SSB				S/S AISI 304	White
16205SS	5.40	3 m	AISI 430F	Zinc plated steel	Green
16205SSB				Zinc plated steel	White
16204AS	2.60	3 m	POM	S/S AISI 304	Antistatic black
16205AS			Antistatic	Zinc plated steel	black
16204ASS	5.40	3 m	S/S AISI 430F	S/S AISI 304	Antistatic black
16205ASS				Zinc plated steel	black



➔ Preferred type, readily available (codes marked in red)

ACCUMULATION ROLLER SIDE GUIDES WITH THE POSSIBILITY OF FIXING WITH CLAMPS

ACCUMULATION ROLLER SIDE GUIDES - ONE ROLLER -

Material: straps in reinforced polyamide, rollers in acetal resin, screws in stainless steel. Pins and metal profile see the table.

Supply: 1m steel profile with 4 roller modules.

2m steel profile with 8 roller modules.

3m steel profile with 12 roller modules.

Standard packaging: 2 completely assembled guides.

Applications: designed for rugged boxes and containers.






Note: each segment can be pulled out without removing pins and rollers. The new design of the side strap provides a position for the clamp without the need for screws or other fixing methods on the conveyors.

 Preferred type, readily available (codes marked in red)



Features:

- Low noise rollers.
- Excellent for accumulation areas.
- Long life and smooth operation.
- Easy and quick installation.

Code	 Kg/m	 L	 Pin Material	 Profile Material	 Roller
16686LX		1 m			White
16686VX		1 m			Green
16687LX	2.0	2 m	POM	S/S AISI 304	White
16687VX		2 m			Green
16688LX		3 m			White
16688VX		3 m			Green
16001LX		1 m			White
16001VX		1 m			Green
16002LX	2.0	2 m	POM	Zinc plated steel	White
16002VX		2 m			Green
16003LX		3 m			White
16003VX		3 m			Green
16686LXS		1 m			White
16686VXS		1 m			Green
16687LXS	2.4	2 m	S/S AISI 430F	S/S AISI 304	White
16687VXS		2 m			Green
16688LXS		3 m			White
16688VXS		3 m			Green
16001LXS		1 m			White
16001VXS		1 m			Green
16002LXS	2.4	2 m	S/S AISI 430F	Zinc plated steel	White
16002VXS		2 m			Green
16003LXS		3 m			White
16003VXS		3 m			Green
16686LXA	2.0	1 m	POM Antistatic	S/S AISI 304	Antistatic black
16687LXA		2 m			
16688LXA		3 m			
16001LXA	2.0	1 m	POM Antistatic	Zinc plated steel	Antistatic black
16002LXA		2 m			
16003LXA		3 m			
16686LXAS	2.4	1 m	S/S AISI 430F	S/S AISI 304	Antistatic black
16687LXAS		2 m			
16688LXAS		3 m			
16001LXAS	2.4	1 m	S/S AISI 430F	Zinc plated steel	Antistatic black
16002LXAS		2 m			
16003LXAS		3 m			



Polyamide
conductive



Acetal resin
conductive



Polyamide



Zinc plated steel



Acetal resin



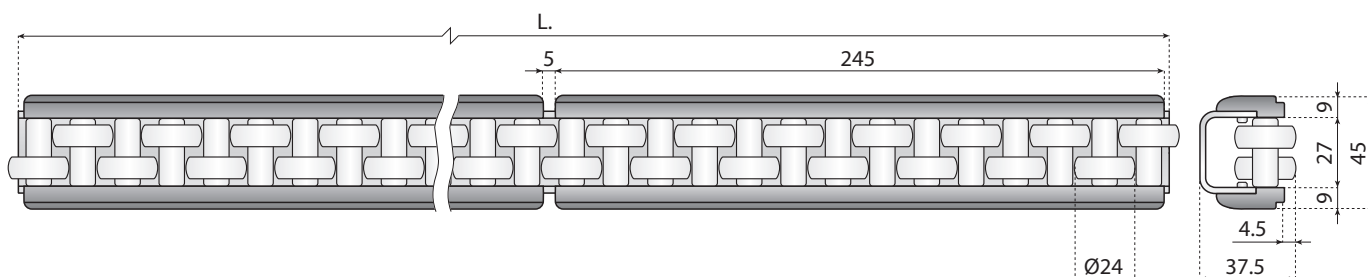
AISI 430
Stainless steel



AISI 304
Stainless steel



Accessories



ACCUMULATION ROLLER SIDE GUIDES

ACCUMULATION ROLLER SIDE GUIDES - ONE ROLLER -

Material: straps in reinforced polyamide, rollers in acetal resin, screws in stainless steel. Pins and metal profile see the table.

Supply: 1m steel profile with 4 roller modules.

2m steel profile with 8 roller modules.

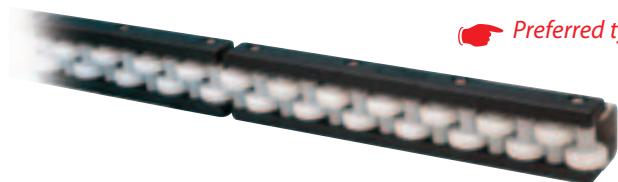
3m steel profile with 12 roller modules.

Standard packaging: 2 completely assembled guides.

Applications: designed for rugged boxes and containers.






Note: each segment can be pulled out without removing pins and rollers.

 Preferred type, readily available (codes marked in red)



Features:

- Low noise rollers.
- Excellent for accumulation areas.
- Long life and smooth operation.
- Easy and quick installation.

Code	 Kg/m	 L	 Pin Material	 Profile Material	 Roller
16686L		1 m			White
16686V		1 m			Green
16687L	2.2	2 m	POM	S/S AISI 304	White
16687V		2 m			Green
16688L		3 m			White
16688V		3 m			Green
16001L		1 m			White
16001V		1 m			Green
16002L	2.2	2 m	POM	Zinc plated steel	White
16002V		2 m			Green
16003L		3 m			White
16003V		3 m			Green
16686LSS		1 m			White
16686VSS		1 m			Green
16687LSS	2.6	2 m	S/S AISI 430F	S/S AISI 304	White
16687VSS		2 m			Green
16688LSS		3 m			White
16688VSS		3 m			Green
16001LSS		1 m			White
16001VSS		1 m			Green
16002LSS	2.6	2 m	S/S AISI 430F	Zinc plated steel	White
16002VSS		2 m			Green
16003LSS		3 m			White
16003VSS		3 m			Green
16686AS	2.2	1 m	POM	S/S AISI 304	Antistatic black
16687AS		2 m	Antistatic		
16688AS		3 m			
16001AS	2.2	1 m	POM	Zinc plated steel	Antistatic black
16002AS		2 m	Antistatic		
16003AS		3 m			
16686ASS	2.6	1 m	S/S AISI 430F	S/S AISI 304	Antistatic black
16687ASS		2 m			
16688ASS		3 m			
16001ASS	2.6	1 m	S/S AISI 430F	Zinc plated steel	Antistatic black
16002ASS		2 m			
16003ASS		3 m			



Polyamide
conductive



Acetal resin
conductive



Polyamide



Zinc plated steel



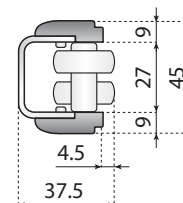
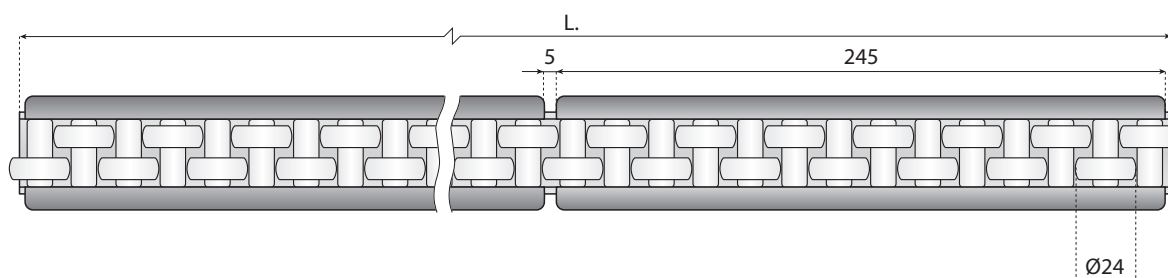
Acetal resin



AISI 430
Stainless steel



AISI 304
Stainless steel



ACCUMULATION ROLLER SIDE GUIDES

ACCUMULATION ROLLER SIDE GUIDES - TWO ROLLERS -

Material: straps in reinforced polyamide, rollers in acetal resin, screws in stainless steel. Pins and metal profile see the table.

Supply: 1m steel profile with 4 roller modules.
2m steel profile with 8 roller modules.
3m steel profile with 12 roller modules.

Standard packaging: 2 completely assembled guides.

Applications: designed for rugged boxes and containers.






Note: each segment can be pulled out without removing pins and rollers.

 Preferred type, readily available (codes marked in red)



Features:

- Low noise rollers.
- Excellent for accumulation areas.
- Long life and smooth operation.
- Easy and quick installation.

Code	 Kg/m	 L	 Pin Material	 Profile Material	 Roller
16683L		1 m			White
16683V		1 m			Green
16684L	3.1	2 m	POM	S/S	White
16684V		2 m		AISI 304	Green
16685L		3 m			White
16685V		3 m			Green
16004L		1 m			White
16004V		1 m			Green
16005L	3.1	2 m	POM	Zinc plated steel	White
16005V		2 m			Green
16006L		3 m			White
16006V		3 m			Green
16683LSS		1 m			White
16683VSS		1 m			Green
16684LSS	3.8	2 m	S/S	S/S	White
16684VSS		2 m	AISI 430F	AISI 304	Green
16685LSS		3 m			White
16685VSS		3 m			Green
16004LSS		1 m			White
16004VSS		1 m			Green
16005LSS	3.8	2 m	S/S	Zinc plated steel	White
16005VSS		2 m	AISI 430F		Green
16006LSS		3 m			White
16006VSS		3 m			Green
16683AS		1 m	POM	S/S	Antistatic black
16684AS	3.1	2 m	Antistatic	AISI 304	
16685AS		3 m			
16004AS		1 m	POM	Zinc plated steel	Antistatic black
16005AS	3.1	2 m	Antistatic		
16006AS		3 m			
16683ASS		1 m	S/S	S/S	Antistatic black
16684ASS	3.8	2 m	AISI 430F	AISI 304	
16685ASS		3 m			
16004ASS		1 m	S/S	Zinc plated steel	Antistatic black
16005ASS	3.8	2 m	AISI 430F		
16006ASS		3 m			



Polyamide conductive



Acetal resin conductive



Polyamide



Zinc plated steel



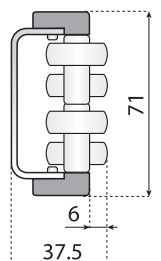
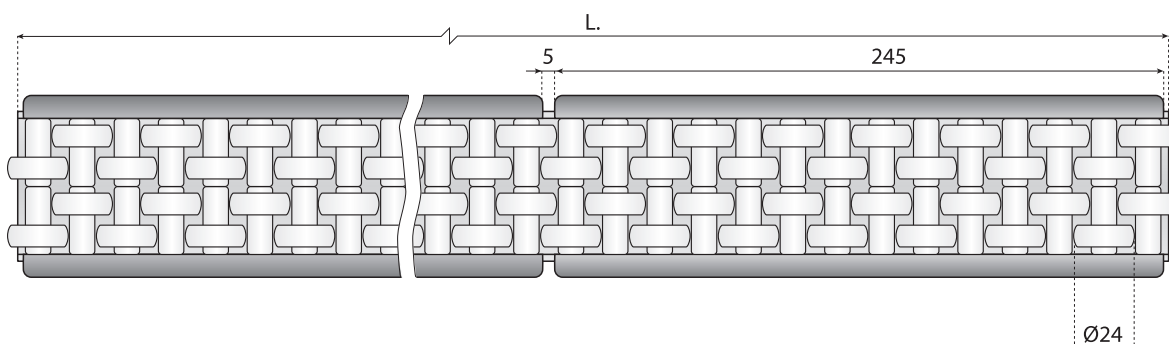
Acetal resin



AISI 430
Stainless steel



AISI 304
Stainless steel



ACCUMULATION ROLLER SIDE GUIDES

ACCUMULATION ROLLER SIDE GUIDES - THREE ROLLERS -

Material: straps in reinforced polyamide, rollers in acetal resin, screws in stainless steel. Pins and metal profile see the table.

Supply: 1m steel profile with 4 roller modules.
2m steel profile with 8 roller modules.
3m steel profile with 12 roller modules.

Standard packaging: 2 completely assembled guides.

Applications: designed for rugged boxes and containers.






Note: each segment can be pulled out without removing pins and rollers.

 Preferred type, readily available (codes marked in red)



Features:

- Low noise rollers.
- Excellent for accumulation areas.
- Long life and smooth operation.
- Easy and quick installation.

Code	 Kg/m	 L	 Pin Material	 Profile Material	 Roller
16689L		1 m			White
16689V		1 m			Green
16690L	5.0	2 m	S/S	S/S	White
16690V		2 m	AISI 430F	AISI 304	Green
16691L		3 m			White
16691V		3 m			Green
16007L		1 m			White
16007V		1 m			Green
16008L	5.0	2 m	S/S	Zinc	White
16008V		2 m	AISI 430F	plated steel	Green
16009L		3 m			White
16009V		3 m			Green
16689AS		1 m			
16690AS	5.0	2 m	S/S	S/S	Black/Antistatic
16691AS		3 m	AISI 430F	AISI 304	
16007AS		1 m			
16008AS	5.0	2 m	S/S	Zinc	Black/Antistatic
16009AS		3 m	AISI 430F	plated steel	



Polyamide
conductive



Acetal resin
conductive



Polyamide



Zinc plated steel



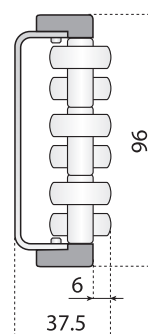
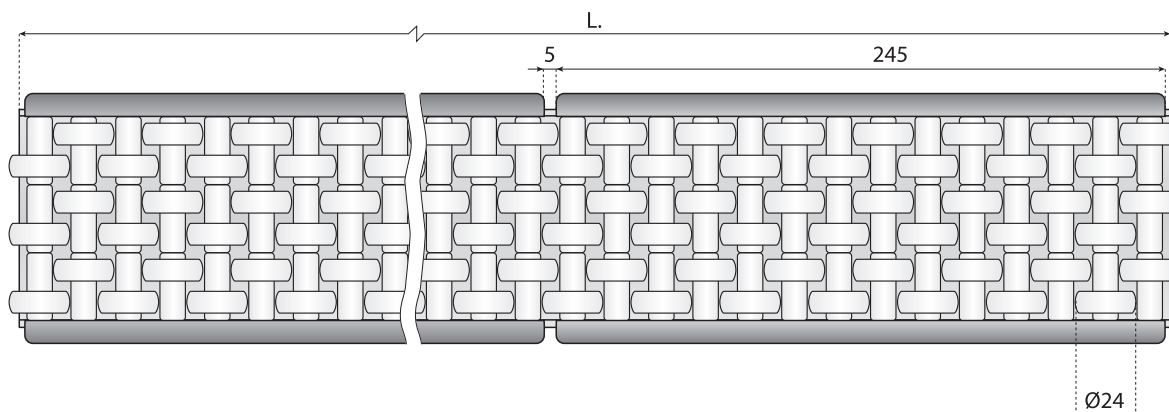
Acetal resin



AISI 430
Stainless steel



AISI 304
Stainless steel



ACCUMULATION ROLLER SIDE GUIDES

ACCUMULATION ROLLER SIDE GUIDES - FOUR ROLLERS -

Material: straps in reinforced polyamide, rollers in acetal resin, screws in stainless steel. Pins and metal profile see the table.

Supply: 1m steel profile with 4 roller modules.

2m steel profile with 8 roller modules.

3m steel profile with 12 roller modules.

Standard packaging: 2 completely assembled guides.

Applications: designed for rugged boxes and containers.

Note: each segment can be pulled out without removing pins and rollers.

 Preferred type, readily available (codes marked in red)



Polyamide
conductive



Acetal resin
conductive



Polyamide



Zinc plated steel



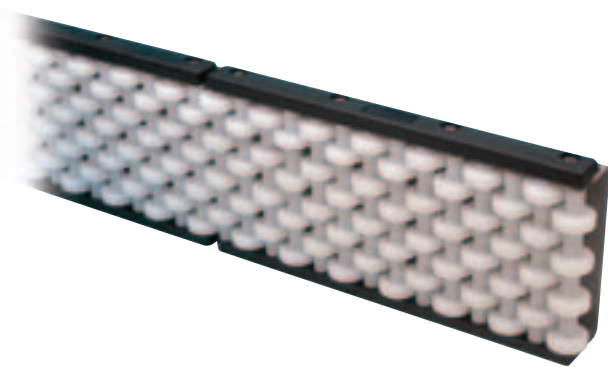
Acetal resin



AISI 430
Stainless steel



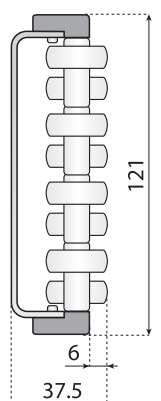
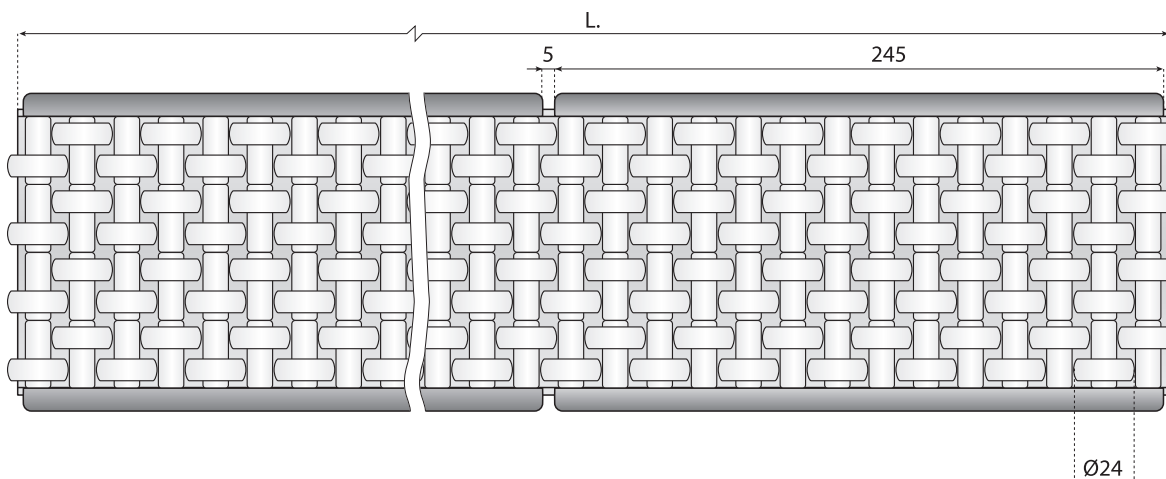
AISI 304
Stainless steel



Features:

- Low noise rollers.
- Excellent for accumulation areas.
- Long life and smooth operation.
- Easy and quick installation.

Code	 Kg/m	 L	 Pin Material	 Profile Material	 Roller
16400L		1 m			White
16400V		1 m			Green
16401L	6.2	2 m	S/S	S/S	White
16401V		2 m	AISI 430F	AISI 304	Green
16402L		3 m			White
16402V		3 m			Green
16011L		1 m			White
16011V		1 m			Green
16012L	6.2	2 m	S/S	Zinc plated steel	White
16012V		2 m	AISI 430F		Green
16013L		3 m			White
16013V		3 m			Green
16400AS		1 m	S/S	S/S	Black/Antistatic
16401AS	6.2	2 m	AISI 430F	AISI 304	
16402AS		3 m			
16011AS		1 m	S/S	Zinc plated steel	Black/Antistatic
16012AS	6.2	2 m	AISI 430F		
16013AS		3 m			



ACCUMULATION ROLLER SIDE GUIDES

ACCUMULATION ROLLER SIDE GUIDES - ONE ROLLER -

Material: straps in reinforced polyamide, rollers in acetal resin, screws in stainless steel. Pins and metal profile see the table.

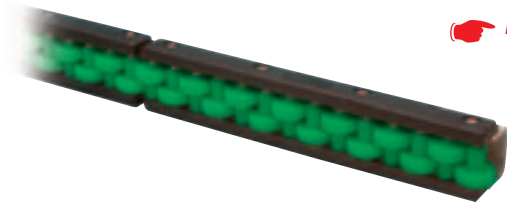
Supply: 1m steel profile with 4 roller modules.
2m steel profile with 8 roller modules.
3m steel profile with 12 roller modules.

Standard packaging: 2 completely assembled guides.

Applications: designed for rugged boxes and containers.

Note: each segment can be pulled out without removing pins and rollers.






 Preferred type, readily available (codes marked in red)



Features:

- Low noise rollers.
- Excellent for accumulation areas.
- Long life and smooth operation.
- Easy and quick installation.

Mini gap

Code	 Kg/m	 L	 Pin Material	 Profile Material	 Roller
16050B		1 m			White
16050		1 m			Green
16051B	2.4	2 m	POM	S/S	White
16051		2 m		AISI 304	Green
16052B		3 m			White
16052		3 m			Green
16030B		1 m			White
16030		1 m			Green
16031B	2.4	2 m	POM	Zinc plated steel	White
16031		2 m			Green
16032B		3 m			White
16032		3 m			Green
16050BSS		1 m			White
16050SS		1 m			Green
16051BSS	2.8	2 m	S/S	S/S	White
16051SS		2 m	AISI 430F	AISI 304	Green
16052BSS		3 m			White
16052SS		3 m			Green
16030BSS		1 m			White
16030SS		1 m			Green
16031BSS	2.8	2 m	S/S	Zinc plated steel	White
16031SS		2 m	AISI 430F		Green
16032BSS		3 m			White
16032SS		3 m			Green
16050AS		1 m	POM	S/S	Antistatic
16051AS	2.4	2 m	Antistatic	AISI 304	black
16052AS		3 m			
16030AS		1 m	POM	Zinc	Antistatic
16031AS	2.4	2 m	Antistatic	plated steel	black
16032AS		3 m			
16050ASS		1 m	S/S	S/S	Antistatic
16051ASS	2.8	2 m	AISI 430F	AISI 304	black
16052ASS		3 m			
16030ASS		1 m	S/S	Zinc	Antistatic
16031ASS	2.8	2 m	AISI 430F	plated steel	black
16032ASS		3 m			



Polyamide
conductive



Acetal resin
conductive



Polyamide



Zinc plated steel



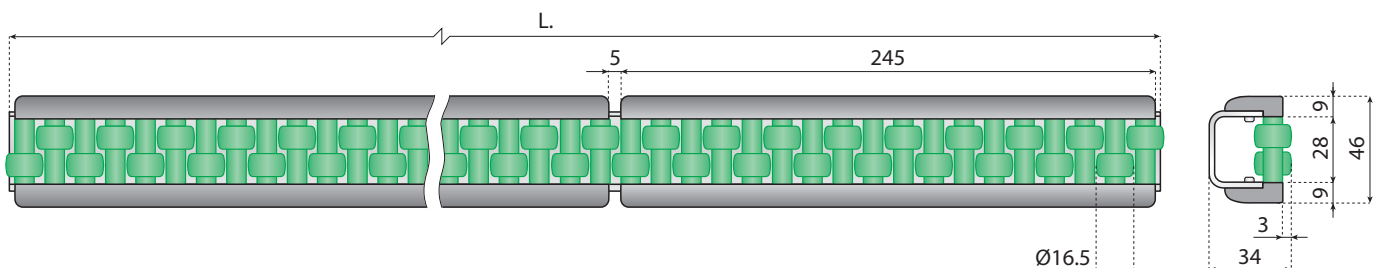
Acetal resin



AISI 430
Stainless steel



AISI 304
Stainless steel



ACCUMULATION ROLLER SIDE GUIDES

ACCUMULATION ROLLER SIDE GUIDES - TWO ROLLERS -

Material: straps in reinforced polyamide, rollers in acetal resin, screws in stainless steel. Pins and metal profile see the table.

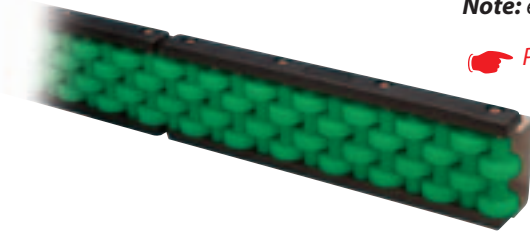
Supply: 1m steel profile with 4 roller modules.
2m steel profile with 8 roller modules.
3m steel profile with 12 roller modules.

Standard packaging: 2 completely assembled guides.

Applications: designed for rugged boxes and containers.

Note: each segment can be pulled out without removing pins and rollers.






 Preferred type, readily available (codes marked in red)



Features:

- Low noise rollers.
- Excellent for accumulation areas.
- Long life and smooth operation.
- Easy and quick installation.

Mini gap

Code	 Kg/m	 L	 Pin Material	 Profile Material	 Roller
16053B		1 m			White
16053		1 m			Green
16054B	3.5	2 m	POM	S/S	White
16054		2 m		AISI 304	Green
16055B		3 m			White
16055		3 m			Green
16033B		1 m			White
16033		1 m			Green
16034B	3.5	2 m	POM	Zinc plated steel	White
16034		2 m			Green
16035B		3 m			White
16035		3 m			Green
16053BSS		1 m			White
16053SS		1 m			Green
16054BSS	4.1	2 m	S/S	S/S	White
16054SS		2 m	AISI 430F	AISI 304	Green
16055BSS		3 m			White
16055SS		3 m			Green
16033BSS		1 m			White
16033SS		1 m			Green
16034BSS	4.1	2 m	S/S	Zinc plated steel	White
16034SS		2 m	AISI 430F		Green
16035BSS		3 m			White
16035SS		3 m			Green
16053AS	3.5	1 m	POM	S/S	Antistatic black
16054AS		2 m	Antistatic	AISI 304	
16055AS		3 m			
16033AS	3.5	1 m	POM	Zinc plated steel	Antistatic black
16034AS		2 m	Antistatic		
16035AS		3 m			
16053ASS	4.1	1 m	S/S	S/S	Antistatic black
16054ASS		2 m	AISI 430F	AISI 304	
16055ASS		3 m			
16033ASS	4.1	1 m	S/S	Zinc plated steel	Antistatic black
16034ASS		2 m	AISI 430F		
16035ASS		3 m			



Polyamide conductive



Acetal resin conductive



Polyamide



Zinc plated steel



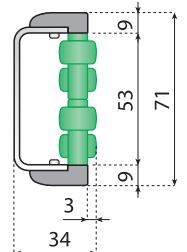
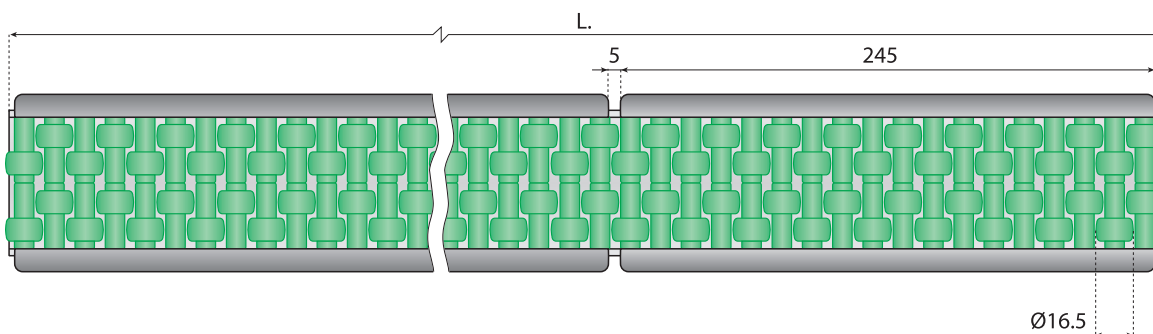
Acetal resin



AISI 430 Stainless steel



AISI 304 Stainless steel



ACCUMULATION ROLLER SIDE GUIDES

ACCUMULATION ROLLER SIDE GUIDES - THREE ROLLERS -

Material: straps in reinforced polyamide, rollers in acetal resin, screws in stainless steel. Pins and metal profile see the table.

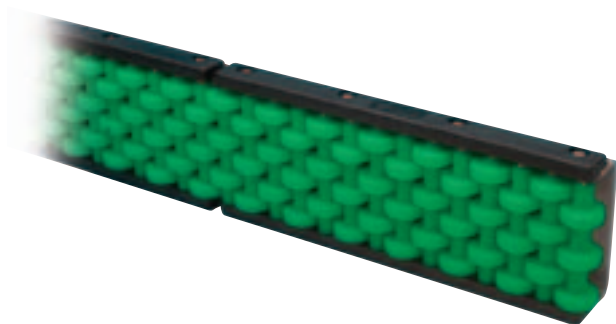
Supply: 1m steel profile with 4 roller modules.
2m steel profile with 8 roller modules.
3m steel profile with 12 roller modules.

Standard packaging: 2 completely assembled guides.

Applications: designed for rugged boxes and containers.

Note: each segment can be pulled out without removing pins and rollers.






 Preferred type, readily available (codes marked in red)



Features:

- Low noise rollers.
- Excellent for accumulation areas.
- Long life and smooth operation.
- Easy and quick installation.

Mini gap

Code	 Kg/m	 L	 Pin Material	 Profile Material	 Roller
16056B		1 m			White
16056		1 m			Green
16057B	5.4	2 m	S/S	S/S	White
16057		2 m	AISI 430F	AISI 304	Green
16058B		3 m			White
16058		3 m			Green
16036B		1 m			White
16036		1 m			Green
16037B	5.4	2 m	S/S	Zinc plated steel	White
16037		2 m	AISI 430F		Green
16038B		3 m			White
16038		3 m			Green
16056AS		1 m	S/S	S/S	Black/Antistatic
16057AS	5.4	2 m	AISI 430F	AISI 304	
16058AS		3 m			
16036AS		1 m	S/S	Zinc plated steel	Black/Antistatic
16037AS	5.4	2 m	AISI 430F		
16038AS		3 m			



Polyamide conductive



Acetal resin conductive



Polyamide



Zinc plated steel



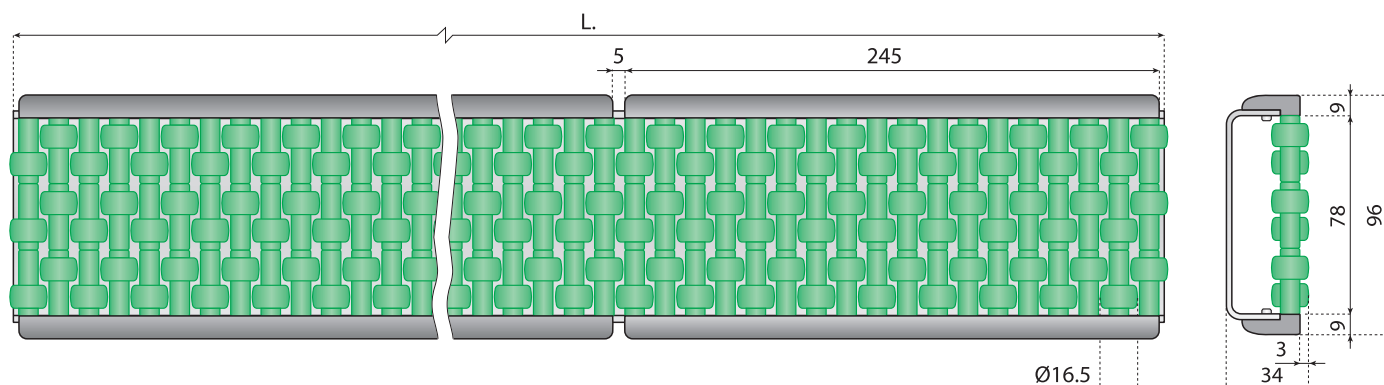
Acetal resin



AISI 430 Stainless steel



AISI 304 Stainless steel



ACCUMULATION ROLLER SIDE GUIDES

ACCUMULATION ROLLER SIDE GUIDES - FOUR ROLLERS -

Material: straps in reinforced polyamide, rollers in acetal resin, screws in stainless steel. Pins and metal profile see the table.

Supply: 1m steel profile with 4 roller modules.
2m steel profile with 8 roller modules.
3m steel profile with 12 roller modules.

Standard packaging: 2 completely assembled guides.

Applications: designed for rugged boxes and containers.

Note: each segment can be pulled out without removing pins and rollers.






 Preferred type, readily available (codes marked in red)



Mini gap

Features:

- Low noise rollers.
- Excellent for accumulation areas.
- Long life and smooth operation.
- Easy and quick installation.

Code					
16059B		1 m			White
16059		1 m			Green
16060B	6.6	2 m	S/S	S/S	White
16060		2 m	AISI 430F	AISI 304	Green
16061B		3 m			White
16061		3 m			Green
16039B		1 m			White
16039		1 m			Green
16040B	6.6	2 m	S/S	Zinc	White
16040		2 m	AISI 430F	plated steel	Green
16041B		3 m			White
16041		3 m			Green
16059AS		1 m			
16060AS	6.6	2 m	S/S	S/S	Black/Antistatic
16061AS		3 m	AISI 430F	AISI 304	
16039AS		1 m			
16040AS	6.6	2 m	S/S	Zinc	Black/Antistatic
16041AS		3 m	AISI 430F	plated steel	



Polyamide conductive



Acetal resin conductive



Polyamide



Zinc plated steel



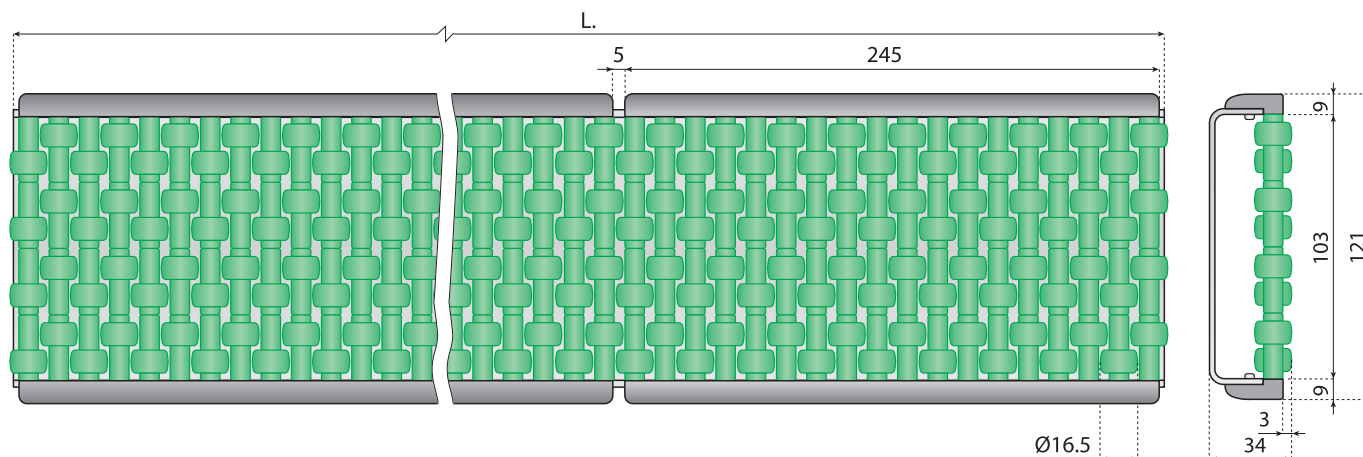
Acetal resin



AISI 430
Stainless steel



AISI 304
Stainless steel

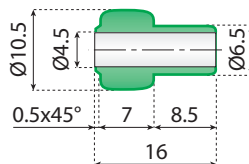


ACCESSORIES FOR ACCUMULATION ROLLER GUIDE

 Preferred type, readily available (codes marked in red)



Acetal resin



ROLLER

121786
121786B
121786V
121786W
121786AS



n°100

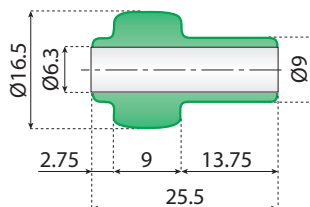


Material

POM



Orange
 White
 Green
 Water blue
 Antistatic black



ROLLER

Code

12306
12306B
12306AS



n°100

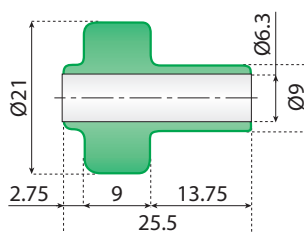


Material

POM



Green
 White
 Antistatic black



ROLLER

Code

12816
12816B
12816AS



n°100

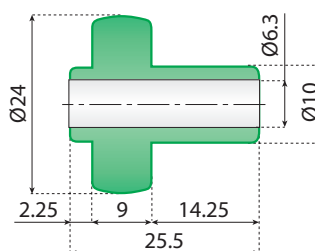


Material

POM



Green
 White
 Antistatic black



ROLLER

Code

12308
12308G
12308AS



n°100



Material

POM



White
 Green
 Antistatic black

ACCESSORIES FOR ACCUMULATION ROLLER GUIDE

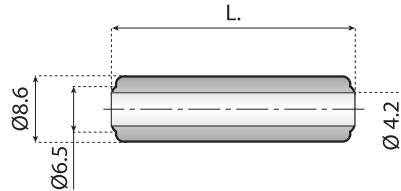
 Preferred type, readily available (codes marked in red)






Acetal resin

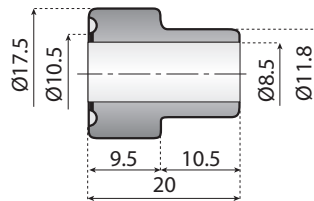


Polyamide



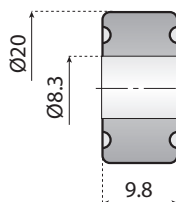
ROLLER

Code			Material	
121790				Orange
121790B	32.5	n°100	POM	White
121790V				Green
121790W				Water blue
121792				Orange
121792B	64.5	n°100	POM	White
121792V				Green
121792W				Water blue



ROLLER

Code		Material	
12301	n°100	PA	Black



ROLLER

Code		Material	
12300	n°100	PA	Black

ACCESSORIES FOR ACCUMULATION ROLLER GUIDE

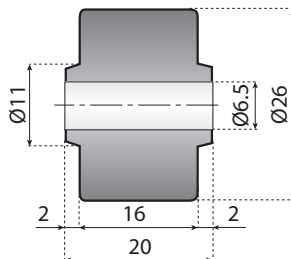
 Preferred type, readily available (codes marked in red)



Acetal resin

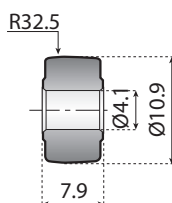
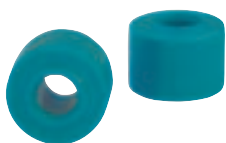


Polyamide





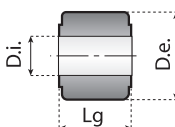
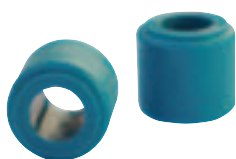
ROLLER

Code		Material	
12818	n°100	PA	Black





ROLLER


Code		Material	
12025	n°100	POM	Black
12025W			Water blue

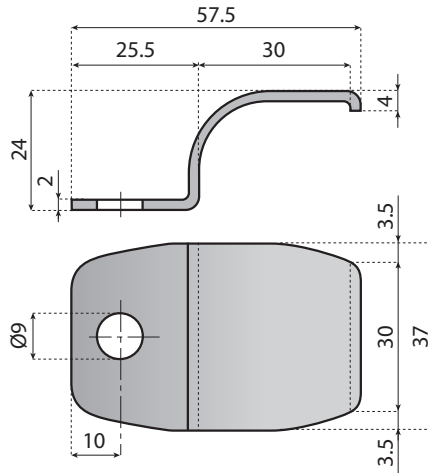


ROLLER

Code	D.e.	D.i.	Lg		Material	
12026	10.9		8.5	n°100	POM	Black
12026W	10.9		8.5			Water blue
12027	10.9	5.2	9.2			Black
12027W	10.9		9.2			Water blue
12028	9.5		9.2			Black
12028W	9.5		9.2			Water blue

ACCESSORIES FOR ACCUMULATION ROLLER GUIDE

 Preferred type, readily available
(codes marked in red)



AISI 304
Stainless steel

CLAMP

Code

13829

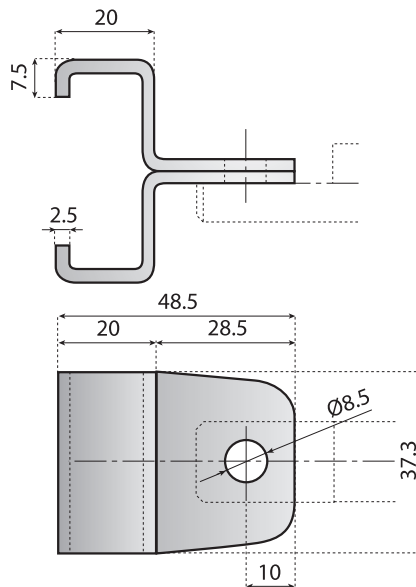
Material

SS AISI 304



n°50

This clamp can be used
with all accumulation
roller guide LX version
example code: 16686LX



CLAMP

Code

13800

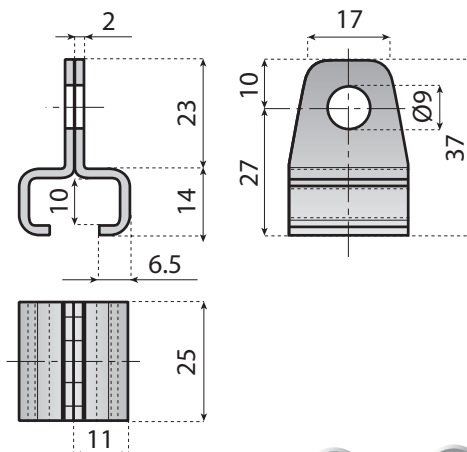
Material

SS AISI 304



n°50

This clamp can be used
with all accumulation
roller guide codes:
16300 - 16301 - 16302 - 16303



CLAMP

Code

13833

Material

SS AISI 304



n°50

This clamp can be used
with intermediary roller
guide codes:
16150 - 16153 - 16156
16160 - 16163 - 16166

ACCESSORIES FOR ACCUMULATION ROLLER GUIDE

 Preferred type, readily available (codes marked in red)



AISI 304
Stainless steel



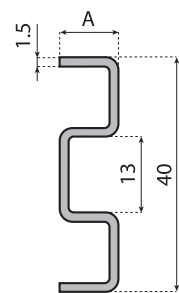
Anodized
aluminium



Using with



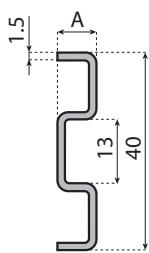
Zinc plated steel



M-PROFILE

Code	A	Kg/m	L	Material
19079	10	0.82	3 m	S/S AISI 304
19079L			6 m	

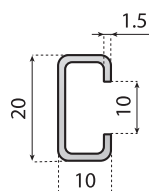
These types of profile can be used with codes:
16610 - 16615 - 16505



M-PROFILE

Code	A	Kg/m	L	Material
190265	8	0.74	3 m	S/S AISI 304
190265L			6 m	

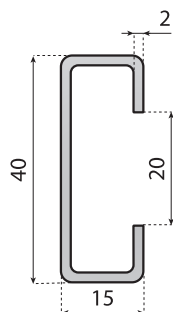
These types of profile can be used with codes:
16500 - 16600 - 16605
16800 - 16801 - 16805
16806



C-PROFILE

Code	Kg/m	L	Material
16450	0.40	3 m	S/S AISI 304
16449		30 m	Zinc plated steel

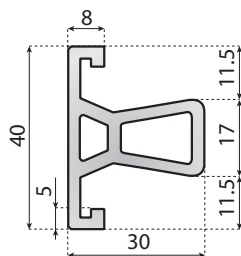
These types of profile can be used with codes:
16351 - 16352 - 16353
16451 - 16452 - 16453



C-PROFILE

Code	Kg/m	L	Material
16456	1.35	3 m	S/S AISI 304
16457		30 m	Zinc plated steel

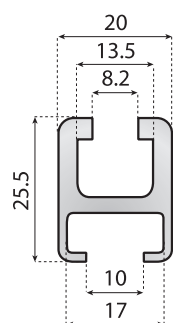
These types of profile can be used with codes:
16300 - 16301 - 16302
16303



ALUMINIUM PROFILE

Code	Kg/m	L	Material
19095	1.10	3 m	Anodized aluminium
19095L		6 m	

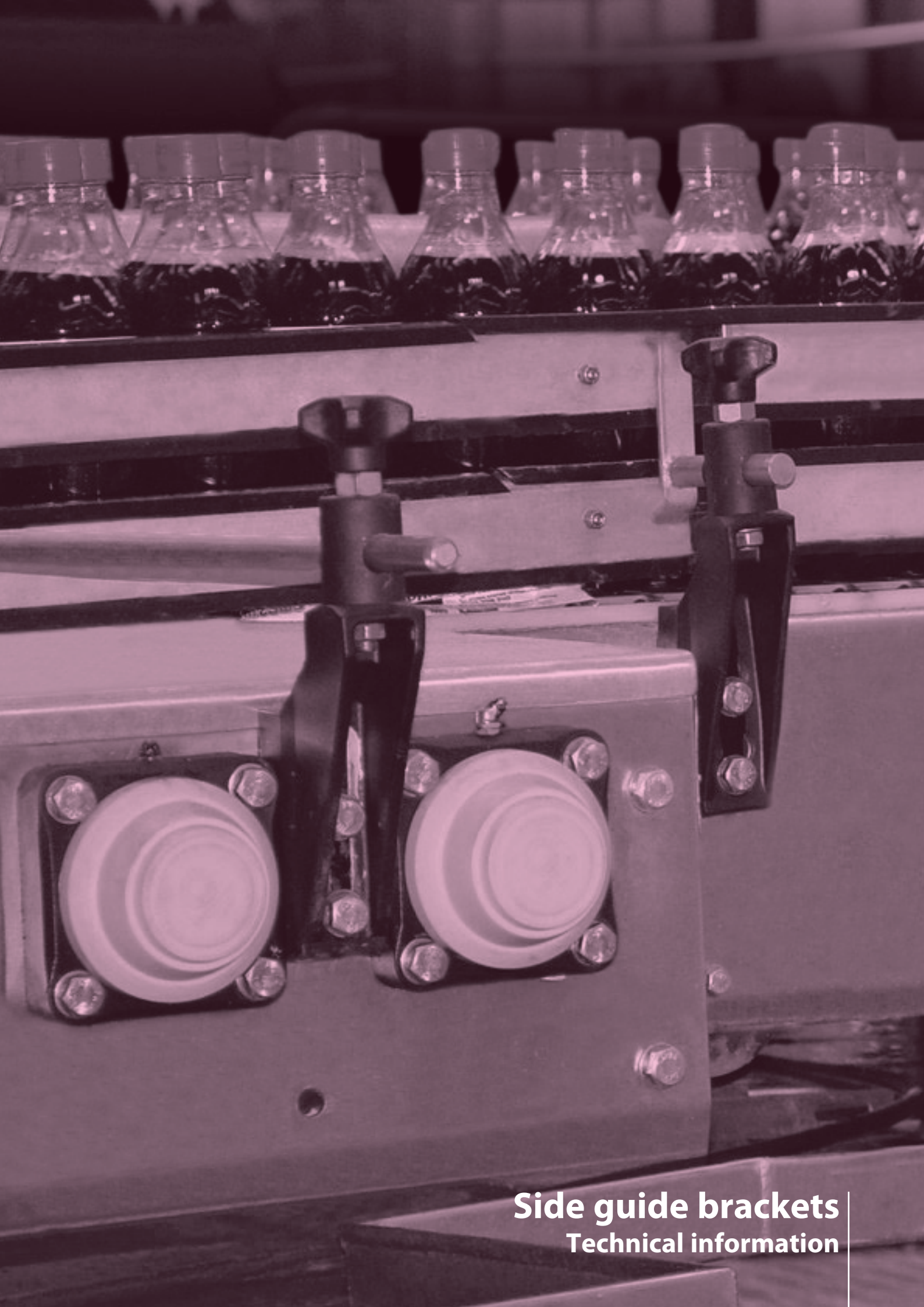
These types of profile can be used with codes:
16600 - 16605 - 16800
16801 - 16805 - 16806
16500



ALUMINIUM PROFILE

Code	Kg/m	L	Material
19096	0.60	3 m	Anodized aluminium
19096L		6 m	

These types of profile can be used with codes:
16351 - 16352 - 16353
16451 - 16452 - 16453

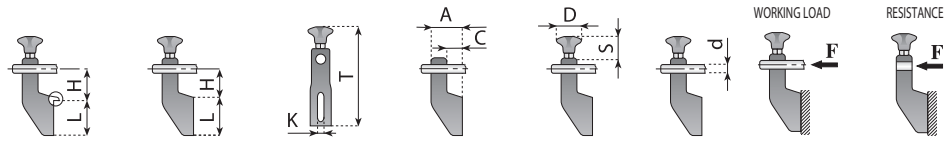


Side guide brackets
Technical information

GUIDE FOR SIDE BRACKET SELECTION TECHNICAL INFORMATION

 Preferred type, readily available (codes marked in red)

SIDE BRACKETS WITH EYEBOLT



CATALOG

Code	L	H	L	H	K	T	A	C	D	S	ROD	N (Newton)	N (Newton)	Page
13692	71	65.5	-	-	9	195	62.5	35	50	45	Ø 12	2000	4000	193
13696	71	65.5	-	-	10.5	195	62.5	35	50	45	Ø 12	2000	4000	193
13853	71	65.5	-	-	9	196	62.5	35	50	42	Ø 12	2000	4000	192
13855	71	65.5	-	-	10.5	196	62.5	35	50	42	Ø 12	2000	4000	192
13858	71	65.5	-	-	9	188	62.5	35	50	34	Ø 12	2000	4000	192
13860	71	65.5	-	-	10.5	188	62.5	35	50	34	Ø 12	2000	4000	192
13863	71	65.5	-	-	9	212	62.5	35	50	58	Ø 12	2000	4000	193
13865	71	65.5	-	-	10.5	212	62.5	35	50	58	Ø 12	2000	4000	193
13632	71	65.5	-	-	9	172	62.5	35	NUT	NUT	Ø 12	2000	4000	192
13634	71	65.5	-	-	10.5	172	62.5	35	NUT	NUT	Ø 12	2000	4000	192
13208	71	65.5	-	-	10.5	198	62.5	35	65	44	Ø 12	2000	4000	193
13268	71	65.5	-	-	9	198	62.5	35	65	44	Ø 12	2000	4000	193
13693	71	65.5	-	-	9	195	62.5	35	50	45	Ø 14	3000	4000	193
13697	71	65.5	-	-	10.5	195	62.5	35	50	45	Ø 14	3000	4000	193
13854	71	65.5	-	-	9	196	62.5	35	50	42	Ø 14	3000	4000	192
13856	71	65.5	-	-	10.5	196	62.5	35	50	42	Ø 14	3000	4000	192
13859	71	65.5	-	-	9	188	62.5	35	50	34	Ø 14	3000	4000	192
13861	71	65.5	-	-	10.5	188	62.5	35	50	34	Ø 14	3000	4000	192
13864	71	65.5	-	-	9	212	62.5	35	50	58	Ø 14	3000	4000	193
13866	71	65.5	-	-	10.5	212	62.5	35	50	58	Ø 14	3000	4000	193
13633	71	65.5	-	-	9	172	62.5	35	NUT	NUT	Ø 14	3000	4000	193
13635	71	65.5	-	-	10.5	172	62.5	35	NUT	NUT	Ø 14	3000	4000	192
13209	71	65.5	-	-	10.5	198	62.5	35	65	44	Ø 14	3000	4000	193
13269	71	65.5	-	-	9	198	62.5	35	65	44	Ø 14	3000	4000	193
13769	71	65.5	-	-	10.5	195	62.5	35	50	45	Ø 14	3000	4000	193
13857	71	65.5	-	-	10.5	196	62.5	35	65	42	Ø 14	3000	4000	192
13862	71	65.5	-	-	10.5	188	62.5	35	65	34	Ø 14	3000	4000	192
13867	71	65.5	-	-	10.5	212	62.5	35	50	58	Ø 16	3000	4000	193
13210	71	65.5	-	-	10.5	198	62.5	35	65	44	Ø 16	3000	4000	193

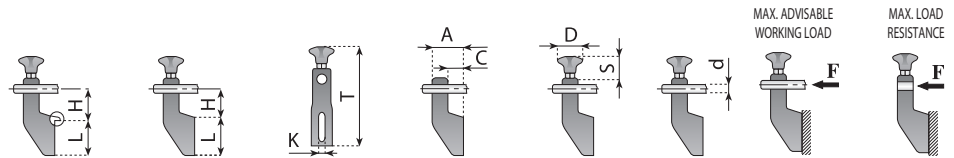


Code	L	H	L	H	K	T	A	C	D	S	ROD	N (Newton)	N (Newton)	Page
13868	-	-	100	64	9	213	60	30	50	34	Ø 12	2200	4500	194
13871	-	-	100	64	10.5	213	60	30	50	34	Ø 12	2200	4500	194
13639	-	-	100	64	9	220	60	30	50	45	Ø 12	2200	4500	194
13641	-	-	100	64	10.5	220	60	30	50	45	Ø 12	2200	4500	194
13213	-	-	100	64	9	237	60	30	50	58	Ø 12	2200	4500	194
13215	-	-	100	64	10.5	237	60	30	50	58	Ø 12	2200	4500	194
13869	-	-	100	64	9	213	60	30	50	34	Ø 14	3200	4500	194
13872	-	-	100	64	10.5	213	60	30	50	34	Ø 14	3200	4500	194
13640	-	-	100	64	9	220	60	30	50	45	Ø 14	3200	4500	194
13642	-	-	100	64	10.5	220	60	30	50	45	Ø 14	3200	4500	194
13214	-	-	100	64	9	237	60	30	50	58	Ø 14	3200	4500	194
13216	-	-	100	64	10.5	237	60	30	50	58	Ø 14	3200	4500	194
13870	-	-	100	64	9	213	60	30	50	34	Ø 16	3400	4500	194
13873	-	-	100	64	10.5	213	60	30	50	34	Ø 16	3400	4500	194
13647	-	-	100	64	9	220	60	30	50	45	Ø 16	3400	4500	194
13648	-	-	100	64	10.5	220	60	30	50	45	Ø 16	3400	4500	194
13227	-	-	100	64	9	237	60	30	50	58	Ø 16	3400	4500	194
13228	-	-	100	64	10.5	237	60	30	50	58	Ø 16	3400	4500	194
13874	98	66	-	-	9	213	60	30	50	34	Ø 12	2200	4500	194
13877	98	66	-	-	10.5	213	60	30	50	34	Ø 12	2200	4500	194
13643	98	66	-	-	9	220	60	30	50	45	Ø 12	2200	4500	194
13645	98	66	-	-	10.5	220	60	30	50	45	Ø 12	2200	4500	194
13217	98	66	-	-	9	237	60	30	50	58	Ø 12	2200	4500	194
13219	98	66	-	-	10.5	237	60	30	50	58	Ø 12	2200	4500	194
13875	98	66	-	-	9	213	60	30	50	34	Ø 14	3200	4500	194
13878	98	66	-	-	10.5	213	60	30	50	34	Ø 14	3200	4500	194
13644	98	66	-	-	9	220	60	30	50	45	Ø 14	3200	4500	194
13646	98	66	-	-	10.5	220	60	30	50	45	Ø 14	3200	4500	194
13218	98	66	-	-	9	237	60	30	50	58	Ø 14	3200	4500	194
13220	98	66	-	-	10.5	237	60	30	50	58	Ø 14	3200	4500	194
13876	98	66	-	-	9	213	60	30	50	34	Ø 16	3400	4500	194
13879	98	66	-	-	10.5	213	60	30	50	34	Ø 16	3400	4500	194
13649	98	66	-	-	9	220	60	30	50	45	Ø 16	3400	4500	194
13650	98	66	-	-	10.5	220	60	30	50	45	Ø 16	3400	4500	194
13229	98	66	-	-	9	237	60	30	50	58	Ø 16	3400	4500	194
13230	98	66	-	-	10.5	237	60	30	50	58	Ø 16	3400	4500	194

GUIDE FOR SIDE BRACKET SELECTION TECHNICAL INFORMATION

 Preferred type, readily available (codes marked in red)

SIDE BRACKETS WITH EYEBOLT



CATALOG



Code	L	H	L	H	K	T	A	C	D	S	ROD	N (Newton)	N (Newton)	Page
13880	-	-	100	87	9	242	79	30	50	34	Ø 12	2000	5000	195
13883	-	-	100	87	10.5	242	79	30	50	34	Ø 12	2000	5000	195
13326	-	-	100	87	9	249	79	30	50	45	Ø 12	2000	5000	195
13332	-	-	100	87	10.5	249	79	30	50	45	Ø 12	2000	5000	195
13221	-	-	100	87	9	268	79	30	50	58	Ø 12	2000	5000	195
13224	-	-	100	87	10.5	268	79	30	50	58	Ø 12	2000	5000	195
13881	-	-	100	87	9	242	79	30	50	34	Ø 14	3000	5000	195
13884	-	-	100	87	10.5	242	79	30	50	34	Ø 14	3000	5000	195
13327	-	-	100	87	9	249	79	30	50	45	Ø 14	3000	5000	195
13333	-	-	100	87	10.5	249	79	30	50	45	Ø 14	3000	5000	195
13222	-	-	100	87	9	268	79	30	50	58	Ø 14	3000	5000	195
13225	-	-	100	87	10.5	268	79	30	50	58	Ø 14	3000	5000	195
13882	-	-	100	87	9	242	79	30	50	34	Ø 16	3200	5000	195
13885	-	-	100	87	10.5	242	79	30	50	34	Ø 16	3200	5000	195
13328	-	-	100	87	9	249	79	30	50	45	Ø 16	3200	5000	195
13334	-	-	100	87	10.5	249	79	30	50	45	Ø 16	3200	5000	195
13223	-	-	100	87	9	268	79	30	50	58	Ø 16	3200	5000	195
13226	-	-	100	87	10.5	268	79	30	50	58	Ø 16	3200	5000	195



Code	L	H	L	H	K	T	A	C	D	S	ROD	N (Newton)	N (Newton)	Page
13211	45	65	-	-	10.5	171	60	30	50	45	Ø 12	2000	3000	191
13212	45	65	-	-	10.5	171	60	30	50	45	Ø 14	2000	3000	191
13764	75	35	-	-	9	164	62	27	50	45	Ø 12	2800	4500	191
13765	75	35	-	-	9	164	62	27	50	45	Ø 14	2800	4500	191
13851	75	35	-	-	9	157	62	27	50	34	Ø 12	2800	4500	191
13852	75	35	-	-	9	157	62	27	50	34	Ø 14	2800	4500	191



Code	L	H	L	H	K	T	A	C	D	S	ROD	N (Newton)	N (Newton)	Page
13895	-	-	112	77	10.5	252	80	30	50	32	Ø 12	2800	14000	206
13896	-	-	112	77	10.5	252	80	30	50	32	Ø 14	3600	14000	206
13897	-	-	112	77	10.5	252	80	30	50	32	Ø 16	3600	14000	206
13050	-	-	112	77	10.5	258	80	30	50	43	Ø 12	2800	14000	206
13051	-	-	112	77	10.5	258	80	30	50	43	Ø 14	3600	14000	206
13052	-	-	112	77	10.5	258	80	30	50	43	Ø 16	3600	14000	206
13205	-	-	102	115	9	286	79	35	50	56	Ø 12	3000	12000	206
13206	-	-	102	115	9	286	79	35	50	56	Ø 14	4000	12000	206
13207	-	-	102	115	9	286	79	35	50	56	Ø 16	4000	12000	206

BRACKETS WITH ECCENTRIC LEVER

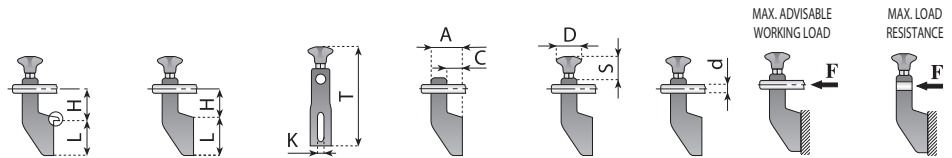


Code	L	H	L	H	K	T	A	C	D	S	ROD	N (Newton)	N (Newton)	Page
13767	-	-	57	85	9	160	62	22	-	18	Ø 12	800	3000	190
13200	-	-	75	85	9	178	62	22	-	18	Ø 12	800	3000	190
13768	-	-	57	85	9	160	62	22	-	18	Ø 14	800	3000	190
13201	-	-	75	85	9	178	62	22	-	18	Ø 14	800	3000	190

Code	L	H	L	H	K	T	A	C	D	S	ROD	N (Newton)	N (Newton)	Page
13760	-	-	150	68	9	240	66	35	-	-	Ø 15	700	2800	190

GUIDE FOR SIDE BRACKET SELECTION - TECHNICAL INFORMATION

ADJUSTABLE BRACKETS



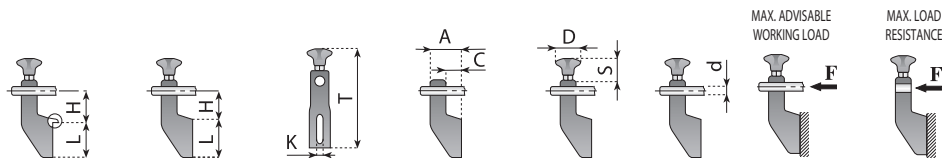
CATALOG

Code	L	H	L	H	K	T	A	C	D	S	ROD	N (Newton)	N (Newton)	Page
13271	-	-	109	67	10.5	201	65	27	-	-	Ø 12	2200	7500	198
13272	-	-	109	67	10.5	201	65	27	-	-	Ø 14	3000	7500	198
13273	-	-	109	67	10.5	201	65	27	-	-	Ø 16	3000	7500	198
131055	-	-	109	67	8.5	201	65	27	-	-	Ø 12	2200	7500	198
131056	-	-	109	67	8.5	201	65	27	-	-	Ø 14	3000	7500	198
131057	-	-	109	67	8.5	201	65	27	-	-	Ø 16	3000	7500	198
131030	-	-	109	67	8.5	201	82	44	-	-	Ø 12	2200	7500	196
131031	-	-	109	67	8.5	201	82	44	-	-	Ø 14	3000	7500	196
131032	-	-	109	67	8.5	201	82	44	-	-	Ø 16	3000	7500	196
13021	-	-	109	67	10.5	201	82	44	-	-	Ø 12	2200	7500	196
13088	-	-	109	67	10.5	201	82	44	-	-	Ø 14	3000	7500	196
13089	-	-	109	67	10.5	201	82	44	-	-	Ø 16	3000	7500	196
13530	-	-	100	70	10.5	194	85	43	-	-	Ø 12	2200	7500	200
13531	-	-	100	70	10.5	194	85	43	-	-	Ø 14	3000	7500	200
13532	-	-	100	70	10.5	194	85	43	-	-	Ø 16	3000	7500	200
13041	71	69	-	-	10.5	164	71	31	-	-	Ø 12	2200	8500	204
13042	71	69	-	-	10.5	164	71	31	-	-	Ø 14	3000	8500	204
13043	71	69	-	-	10.5	164	71	31	-	-	Ø 16	3000	8500	204
13580	95	75	-	-	10.5	194	85	43	-	-	Ø 12	2200	7500	202
13581	95	75	-	-	10.5	194	85	43	-	-	Ø 14	3000	7500	202
13582	95	75	-	-	10.5	194	85	43	-	-	Ø 16	3000	7500	202

Code	L	H	L	H	K	T	A	C	D	S	ROD	N (Newton)	N (Newton)	Page
13274	-	-	109	85	10.5	218	65	27	-	-	Ø 12	2200	7500	198
13275	-	-	109	85	10.5	218	65	27	-	-	Ø 14	3000	7500	198
13276	-	-	109	85	10.5	218	65	27	-	-	Ø 16	3000	7500	198
131058	-	-	109	85	8.5	218	65	27	-	-	Ø 12	2200	7500	198
131059	-	-	109	85	8.5	218	65	27	-	-	Ø 14	3000	7500	198
131060	-	-	109	85	8.5	218	65	27	-	-	Ø 16	3000	7500	198
131033	-	-	109	85	8.5	218	82	44	-	-	Ø 12	2200	7500	196
131034	-	-	109	85	8.5	218	82	44	-	-	Ø 14	3000	7500	196
131035	-	-	109	85	8.5	218	82	44	-	-	Ø 16	3000	7500	196
13847	-	-	109	85	10.5	218	82	44	-	-	Ø 12	2200	7500	196
13848	-	-	109	85	10.5	218	82	44	-	-	Ø 14	3000	7500	196
13849	-	-	109	85	10.5	218	82	44	-	-	Ø 16	3000	7500	196
13533	-	-	100	87	10.5	212	85	43	-	-	Ø 12	2200	7500	190
13534	-	-	100	87	10.5	212	85	43	-	-	Ø 14	3000	7500	190
13535	-	-	100	87	10.5	212	85	43	-	-	Ø 16	3000	7500	190
13889	71	87	-	-	10.5	182	71	31	-	-	Ø 12	2200	8500	204
13890	71	87	-	-	10.5	182	71	31	-	-	Ø 14	3000	8500	204
13891	71	87	-	-	10.5	182	71	31	-	-	Ø 16	3000	8500	204
13583	95	92.5	-	-	10.5	212	85	43	-	-	Ø 12	2200	7500	202
13584	95	92.5	-	-	10.5	212	85	43	-	-	Ø 14	3000	7500	202
13585	95	92.5	-	-	10.5	212	85	43	-	-	Ø 16	3000	7500	202

Code	L	H	L	H	K	T	A	C	D	S	ROD	N (Newton)	N (Newton)	Page
13277	-	-	109	67	10.5	240	65	27	50	42	Ø 12	2600	7500	199
13278	-	-	109	67	10.5	240	65	27	50	42	Ø 14	3500	7500	199
13279	-	-	109	67	10.5	240	65	27	50	42	Ø 16	3500	7500	199
131061	-	-	109	67	8.5	240	65	27	50	42	Ø 12	2600	7500	199
131062	-	-	109	67	8.5	240	65	27	50	42	Ø 14	3500	7500	199
131063	-	-	109	67	8.5	240	65	27	50	42	Ø 16	3500	7500	199
131036	-	-	109	67	8.5	240	82	44	50	42	Ø 12	2600	7500	197
131037	-	-	109	67	8.5	240	82	44	50	42	Ø 14	3500	7500	197
131038	-	-	109	67	8.5	240	82	44	50	42	Ø 16	3500	7500	197
13054	-	-	109	67	10.5	240	82	44	50	42	Ø 12	2600	7500	197
13055	-	-	109	67	10.5	240	82	44	50	42	Ø 14	3500	7500	197
13056	-	-	109	67	10.5	240	82	44	50	42	Ø 16	3500	7500	197
13536	-	-	100	70	10.5	234	85	43	50	42	Ø 12	2600	7500	201
13537	-	-	100	70	10.5	234	85	43	50	42	Ø 14	3500	7500	201
13538	-	-	100	70	10.5	234	85	43	50	42	Ø 16	3500	7500	201
13044	71	69	-	-	10.5	204	71	31	50	42	Ø 12	2600	8500	205
13045	71	69	-	-	10.5	204	71	31	50	42	Ø 14	3500	8500	205
13046	71	69	-	-	10.5	204	71	31	50	42	Ø 16	3500	8500	205
13586	95	75	-	-	10.5	234	85	43	50	42	Ø 12	2600	7500	203
13587	95	75	-	-	10.5	234	85	43	50	42	Ø 14	3500	7500	203
13588	95	75	-	-	10.5	234	85	43	50	42	Ø 16	3500	7500	203

GUIDE FOR SIDE BRACKET SELECTION - TECHNICAL INFORMATION



CATALOG

ADJUSTABLE BRACKETS



Code	L	H	L	H	K	T	A	C	D	S	ROD	N (Newton)	N (Newton)	Page
13280	-	-	109	85	10.5	258	65	27	50	42	Ø 12	2600	7500	199
13281	-	-	109	85	10.5	258	65	27	50	42	Ø 14	3500	7500	199
13282	-	-	109	85	10.5	258	65	27	50	42	Ø 16	3500	7500	199
131064	-	-	109	85	8.5	258	65	27	50	42	Ø 12	2600	7500	199
131065	-	-	109	85	8.5	258	65	27	50	42	Ø 14	3500	7500	199
131066	-	-	109	85	8.5	258	65	27	50	42	Ø 16	3500	7500	199
131039	-	-	109	85	8.5	258	82	44	50	42	Ø 12	2600	7500	197
131040	-	-	109	85	8.5	258	82	44	50	42	Ø 14	3500	7500	197
131041	-	-	109	85	8.5	258	82	44	50	42	Ø 16	3500	7500	197
13886	-	-	109	85	10.5	258	82	44	50	42	Ø 12	2600	7500	197
13887	-	-	109	85	10.5	258	82	44	50	42	Ø 14	3500	7500	197
13888	-	-	109	85	10.5	258	82	44	50	42	Ø 16	3500	7500	197
13539	-	-	100	87	10.5	234	85	43	50	42	Ø 12	2600	7500	201
13540	-	-	100	87	10.5	234	85	43	50	42	Ø 14	3500	7500	201
13541	-	-	100	87	10.5	234	85	43	50	42	Ø 16	3500	7500	201
13892	71	69	-	-	10.5	204	71	31	50	42	Ø 12	2600	8500	205
13893	71	69	-	-	10.5	204	71	31	50	42	Ø 14	3500	8500	205
13894	71	69	-	-	10.5	204	71	31	50	42	Ø 16	3500	8500	205
13589	95	75	-	-	10.5	234	85	43	50	42	Ø 12	2600	7500	203
13590	95	75	-	-	10.5	234	85	43	50	42	Ø 14	3500	7500	203
13591	95	75	-	-	10.5	234	85	43	50	42	Ø 16	3500	7500	203

Code

With knob	With screw	L	H	L	H	K	T	A	C	D	S	ROD	N (Newton)	N (Newton)	Page
131067	131070	-	-	109	69	8.5	235	65	27	50	42	Ø 12	5000	7500	199
131073	131076	-	-	109	69	8.5	235	65	27	50	42	Ø 12	5000	7500	199
131068	131071	-	-	109	69	8.5	235	65	27	50	42	Ø 14	6000	7500	199
131074	131077	-	-	109	69	8.5	235	65	27	50	42	Ø 14	6000	7500	199
131069	131072	-	-	109	69	8.5	235	65	27	50	42	Ø 16	6000	7500	199
131075	131078	-	-	109	69	8.5	235	65	27	50	42	Ø 16	6000	7500	199
13283	13289	-	-	109	69	10.5	235	65	27	50	42	Ø 12	5000	7500	199
13286	13292	-	-	109	69	10.5	235	65	27	50	42	Ø 12	5000	7500	199
13284	13290	-	-	109	69	10.5	235	65	27	50	42	Ø 14	6000	7500	199
13287	13293	-	-	109	69	10.5	235	65	27	50	42	Ø 14	6000	7500	199
13285	13291	-	-	109	69	10.5	235	65	27	50	42	Ø 16	6000	7500	199
13288	13294	-	-	109	69	10.5	235	65	27	50	42	Ø 16	6000	7500	199
131042	131045	-	-	109	69	8.5	235	82	44	50	42	Ø 12	5000	7500	197
131048	131051	-	-	109	69	8.5	235	82	44	50	42	Ø 12	5000	7500	197
131043	131046	-	-	109	69	8.5	235	82	44	50	42	Ø 14	6000	7500	197
131049	131052	-	-	109	69	8.5	235	82	44	50	42	Ø 14	6000	7500	197
131044	131047	-	-	109	69	8.5	235	82	44	50	42	Ø 16	6000	7500	197
131050	131053	-	-	109	69	8.5	235	82	44	50	42	Ø 16	6000	7500	197
13749	13746	-	-	109	69	10.5	235	82	44	50	42	Ø 12	5000	7500	197
13025	13022	-	-	109	69	10.5	235	82	44	50	42	Ø 12	5000	7500	197
13750	13747	-	-	109	69	10.5	235	82	44	50	42	Ø 14	6000	7500	197
13026	13023	-	-	109	69	10.5	235	82	44	50	42	Ø 14	6000	7500	197
13751	13748	-	-	109	69	10.5	235	82	44	50	42	Ø 16	6000	7500	197
13027	13024	-	-	109	69	10.5	235	82	44	50	42	Ø 16	6000	7500	197
13542	-	-	-	100	72	10.5	229	85	43	50	42	Ø 12	5000	7500	201
13545	-	-	-	100	72	10.5	229	85	43	50	42	Ø 12	5000	7500	201
13543	-	-	-	100	72	10.5	229	85	43	50	42	Ø 14	6000	7500	201
13546	-	-	-	100	72	10.5	229	85	43	50	42	Ø 14	6000	7500	201
13544	-	-	-	100	72	10.5	229	85	43	50	42	Ø 16	6000	7500	201
13547	-	-	-	100	72	10.5	229	85	43	50	42	Ø 16	6000	7500	201
13100	-	71	69	-	-	10.5	199	71	31	50	42	Ø 12	5000	8500	205
13047	-	71	69	-	-	10.5	199	71	31	50	42	Ø 12	5000	8500	205
13101	-	71	69	-	-	10.5	199	71	31	50	42	Ø 14	6000	8500	205
13048	-	71	69	-	-	10.5	199	71	31	50	42	Ø 14	6000	8500	205
13102	-	71	69	-	-	10.5	199	71	31	50	42	Ø 16	6000	8500	205
13049	-	71	69	-	-	10.5	199	71	31	50	42	Ø 16	6000	8500	205
13592	-	95	77	-	-	10.5	229	85	43	50	42	Ø 12	5000	7500	203
13595	-	95	77	-	-	10.5	229	85	43	50	42	Ø 12	5000	7500	203
13593	-	95	77	-	-	10.5	229	85	43	50	42	Ø 14	6000	7500	203
13596	-	95	77	-	-	10.5	229	85	43	50	42	Ø 14	6000	7500	203
13594	-	95	77	-	-	10.5	229	85	43	50	42	Ø 16	6000	7500	203
13597	-	95	77	-	-	10.5	229	85	43	50	42	Ø 16	6000	7500	203



GUIDE FOR SIDE BRACKET SELECTION TECHNICAL INFORMATION

 Preferred type, readily available (codes marked in red)

BRACKETS

MAX. LOAD
RESISTANCE



CATALOG



Code	Newton	Page
131015	7500	196
13020		



Code	Newton	Page
131054	7500	198
13270		



Code	Newton	Page
13185	7500	200



Code	Newton	Page
13057	9900	208



Code	Newton	Page
13900	14750	208



Code	Newton	Page
13249	6000	207

BRACKETS

MAX. LOAD
RESISTANCE



CATALOG



Code	Newton	Page
13040	8500	204



Code	Newton	Page
13186	7500	202



Code	Newton	Page
13898	7500	207



Code	Newton	Page
13930		
13931	9900	208
13932		



Code	Newton	Page
13251	7500	207



Side guide brackets

SIDE GUIDE BRACKETS

 Preferred type, readily available (codes marked in red)

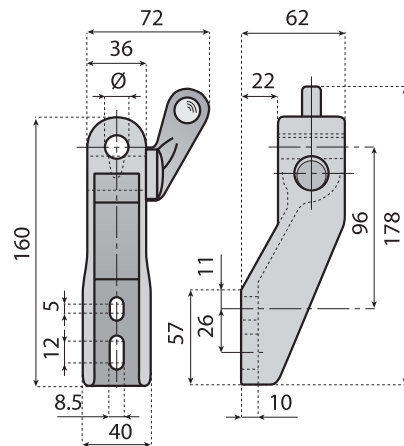


Reinforced polyamide



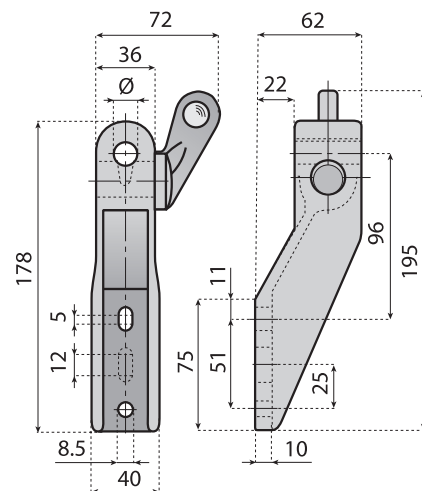
BRACKET WITH ECCENTRIC LEVER

Code	For rod Ø (mm)	n°50	Material
13767	12	n°50	PA-FG
13768	14	n°50	PA-FG



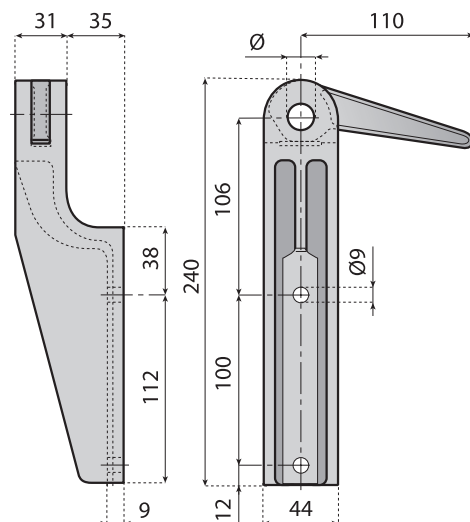
BRACKET WITH ECCENTRIC LEVER

Code	For rod Ø (mm)	n°50	Material
13200	12	n°50	PA-FG
13201	14	n°50	PA-FG



BRACKET WITH ECCENTRIC LEVER

Code	For rod Ø (mm)	n°50	Material
13760	15	n°50	PA-FG



 Preferred type, readily available (codes marked in red)



AISI 304
Stainless steel



Nickel plated brass



Reinforced polyamide

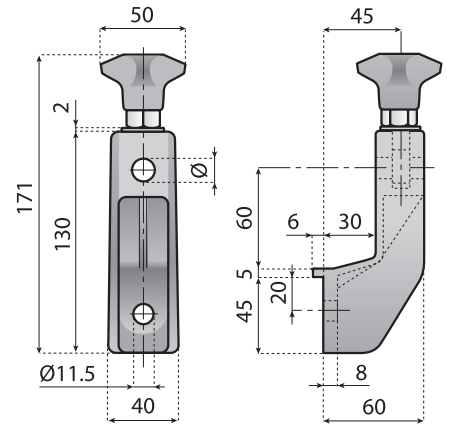


BRACKET WITH EYEBOLT AND KNOB

Material: reinforced polyamide, eyebolt and washer in stainless steel AISI 304, knob in polyamide with nickel plated brass insert.

Note: max recommended tightening torque 4 Kgm.

Code	For rod Ø (mm)	
13211	12	n°50
13212	14	

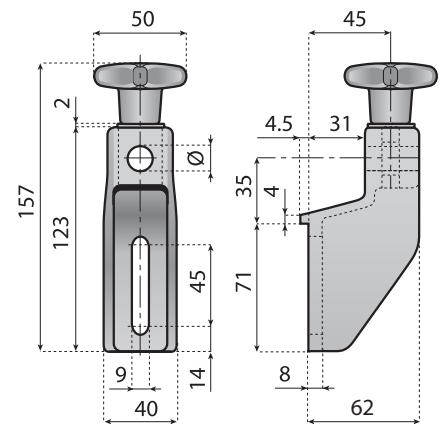


BRACKET WITH EYEBOLT AND KNOB

Material: reinforced polyamide, eyebolt and washer in stainless steel AISI 304, knob in polyamide with nickel plated brass insert.

Note: max recommended tightening torque 4 Kgm.

Code	For rod Ø (mm)	
13851	12	n°50
13852	14	

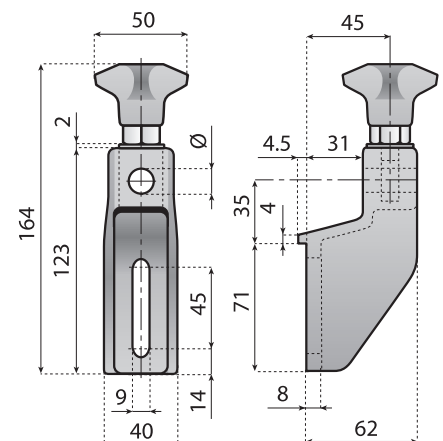


BRACKET WITH EYEBOLT AND KNOB

Material: reinforced polyamide, eyebolt and washer in stainless steel AISI 304, knob in polyamide with nickel plated brass insert.

Note: max recommended tightening torque 4 Kgm.

Code	For rod Ø (mm)	
13764	12	n°50
13765	14	



SIDE GUIDE BRACKETS

 Preferred type, readily available (codes marked in red)



AISI 304
Stainless steel



Nickel plated brass



Reinforced
polyamide

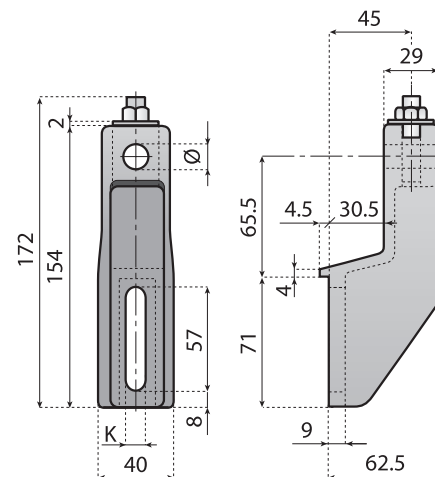


BRACKET WITH EYEBOLT

Material: reinforced polyamide, eyebolt and washer in stainless steel AISI 304, nut in nickel plated brass.

Note: max recommended tightening torque 4 Kgm.


Code	For rod Ø (mm)	K	
13632	12	9	n°50
13633	14	9	n°50
13634	12	10.5	n°50
13635	14	10.5	n°50

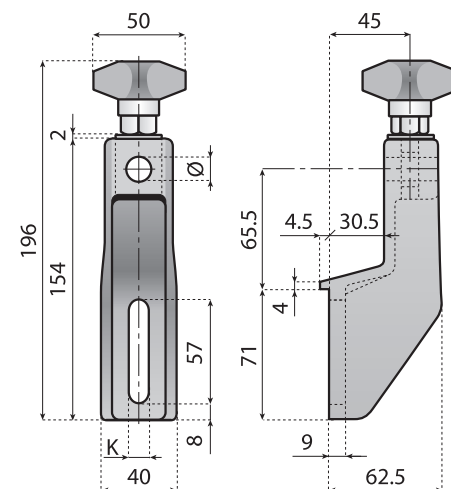


BRACKET WITH EYEBOLT AND KNOB

Material: reinforced polyamide, eyebolt and washer in stainless steel AISI 304, knob in polyamide with nickel plated brass insert.

Note: max recommended tightening torque 4 Kgm.


Code	For rod Ø (mm)	K	
13853	12	9	n°50
13854	14	9	n°50
13855	12	10.5	n°50
13856	14	10.5	n°50
13857	16	10.5	n°50

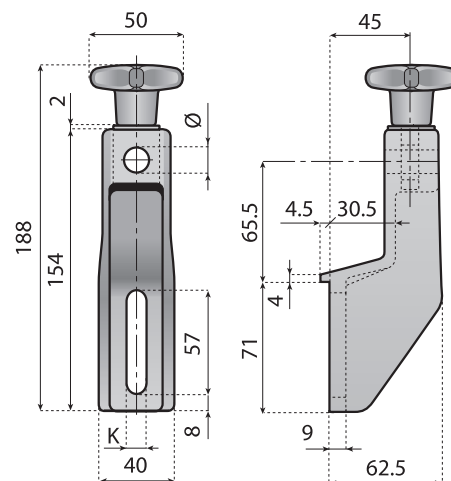


BRACKET WITH EYEBOLT AND KNOB

Material: reinforced polyamide, eyebolt and washer in stainless steel AISI 304, knob in polyamide with nickel plated brass insert.

Note: max recommended tightening torque 4 Kgm.

Code	For rod Ø (mm)	K	
13858	12	9	n°50
13859	14	9	n°50
13860	12	10.5	n°50
13861	14	10.5	n°50
13862	16	10.5	n°50



 Preferred type, readily available (codes marked in red)



AISI 304
Stainless steel



Nickel plated brass




Reinforced
polyamide

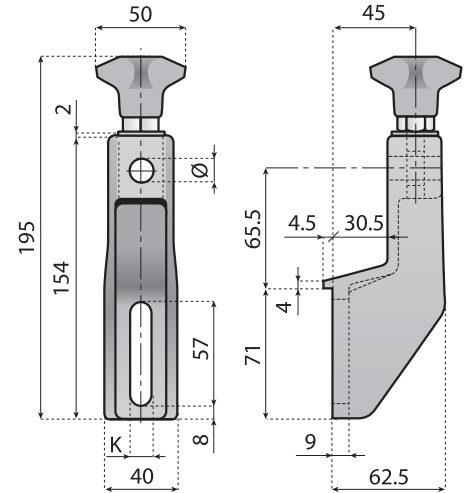


BRACKET WITH EYEBOLT AND KNOB

Material: reinforced polyamide, eyebolt and washer in stainless steel AISI 304, knob in polyamide with nickel plated brass insert.

Note: max recommended tightening torque 4 Kgm.


Code	For rod Ø (mm)	K	
13692	12	9	n°50
13693	14	9	n°50
13696	12		
13697	14	10.5	n°50
13769	16		

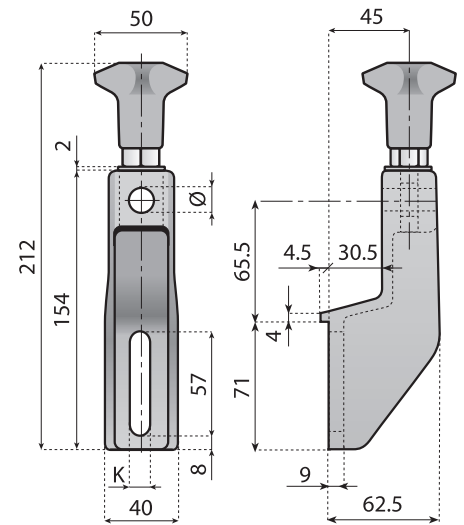


BRACKET WITH EYEBOLT AND KNOB

Material: reinforced polyamide, eyebolt and washer in stainless steel AISI 304, knob in polyamide with nickel plated brass insert.

Note: max recommended tightening torque 4 Kgm.


Code	For rod Ø (mm)	K	
13863	12	9	n°50
13864	14	9	n°50
13865	12		
13866	14	10.5	n°50
13867	16		

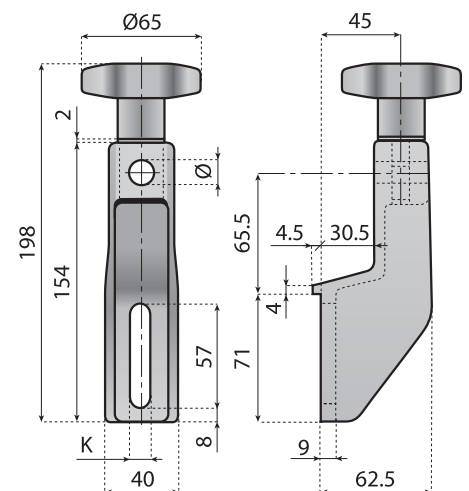


BRACKET WITH EYEBOLT AND KNOB

Material: reinforced polyamide, eyebolt and washer in stainless steel AISI 304, knob in polyamide with nickel plated brass insert.

Note: max recommended tightening torque 4 Kgm.

Code	For rod Ø (mm)	K	
13268	12	9	n°50
13269	14	9	n°50
13208	12		
13209	14	10.5	n°50
13210	16		



SIDE GUIDE BRACKETS



AISI 304
Stainless steel



Nickel plated brass



Reinforced polyamide

Preferred type, readily available (codes marked in red)

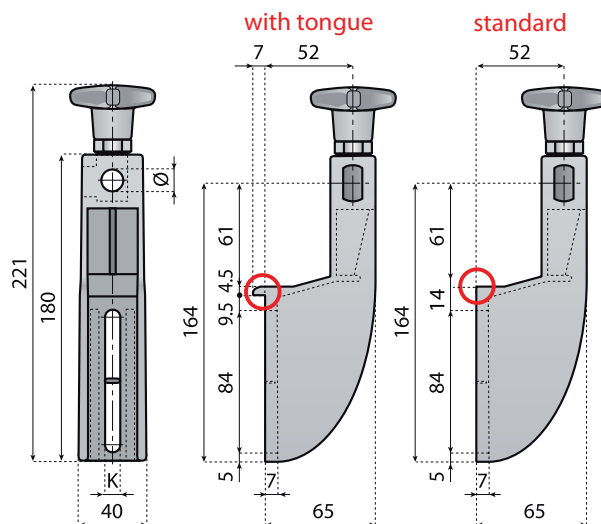
BRACKET WITH EYEBOLT AND KNOB

Material: reinforced polyamide, eyebolt and washer in stainless steel AISI 304, knob in polyamide with nickel plated brass insert.

Note: max recommended tightening torque 4 Kgm.



Code	Type	For rod Ø (mm)	K	
13639		12		
13640	Standard	14	9	n°50
13641		16		
13642	Standard	14	10.5	n°50
13648		16		
13643		12		
13644	With tongue	14	9	n°50
13649		16		
13645		12		
13646	With tongue	14	10.5	n°50
13650		16		



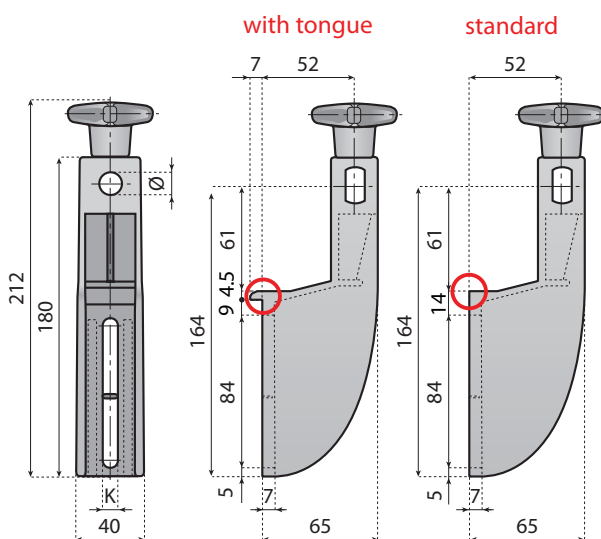
BRACKET WITH EYEBOLT AND KNOB

Material: reinforced polyamide, eyebolt and washer in stainless steel AISI 304, knob in polyamide with nickel plated brass insert.

Note: max recommended tightening torque 4 Kgm.



Code	Type	For rod Ø (mm)	K	
13868		12		
13869	Standard	14	9	n°50
13870		16		
13871		12		
13872	Standard	14	10.5	n°50
13873		16		
13874		12		
13875	With tongue	14	9	n°50
13876		16		
13877		12		
13878	With tongue	14	10.5	n°50
13879		16		



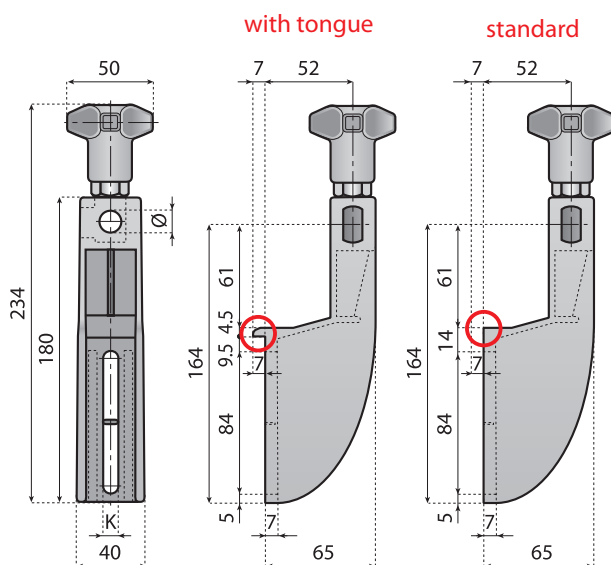
BRACKET WITH EYEBOLT AND KNOB

Material: reinforced polyamide, eyebolt and washer in stainless steel AISI 304, knob in polyamide with nickel plated brass insert.

Note: max recommended tightening torque 4 Kgm.



Code	Type	For rod Ø (mm)	K	
13213		12		
13214	Standard	14	9	n°50
13227		16		
13215		12		
13216	Standard	14	10.5	n°50
13228		16		
13217		12		
13218	With tongue	14	9	n°50
13229		16		
13219		12		
13220	With tongue	14	10.5	n°50
13230		16		



 Preferred type, readily available (codes marked in red)



AISI 304
Stainless steel



Nickel plated brass




Reinforced polyamide

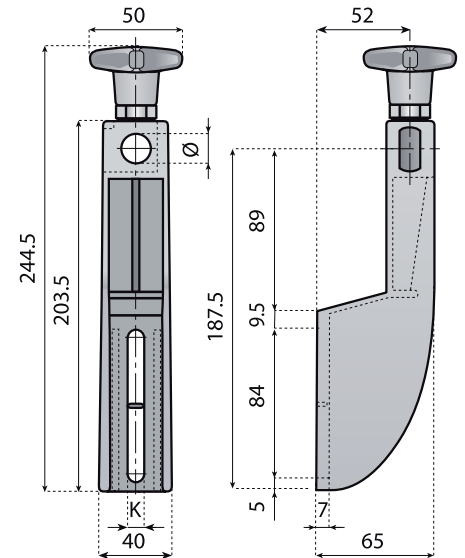


BRACKET WITH EYEBOLT AND KNOB

Material: reinforced polyamide, eyebolt and washer in stainless steel AISI 304, knob in polyamide with nickel plated brass insert.

Note: max recommended tightening torque 4 Kgm.


Code	For rod Ø (mm)	K	
13326	12		
13327	14	9	n°50
13328	16		
13332	12		
13333	14	10.5	n°50
13334	16		

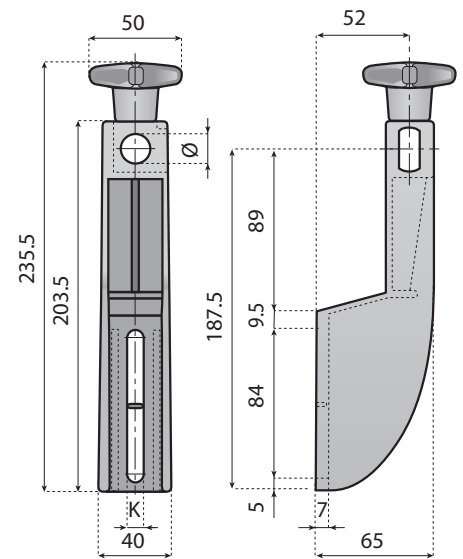


BRACKET WITH EYEBOLT AND KNOB

Material: reinforced polyamide, eyebolt and washer in stainless steel AISI 304, knob in polyamide with nickel plated brass insert.

Note: max recommended tightening torque 4 Kgm.


Code	For rod Ø (mm)	K	
13880	12		
13881	14	9	n°50
13882	16		
13883	12		
13884	14	10.5	n°50
13885	16		

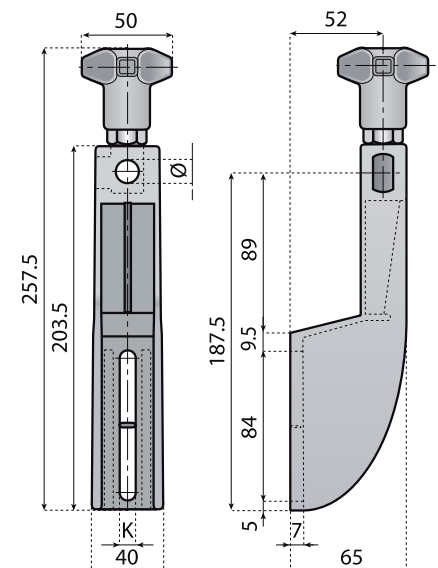


BRACKET WITH EYEBOLT AND KNOB

Material: reinforced polyamide, eyebolt and washer in stainless steel AISI 304, knob in polyamide with nickel plated brass insert.

Note: max recommended tightening torque 4 Kgm.

Code	For rod Ø (mm)	K	
13221	12		
13222	14	9	n°50
13223	16		
13224	12		
13225	14	10.5	n°50
13226	16		



ADJUSTABLE BRACKETS

 Preferred type, readily available (codes marked in red)



AISI 304
Stainless steel




Reinforced
polyamide

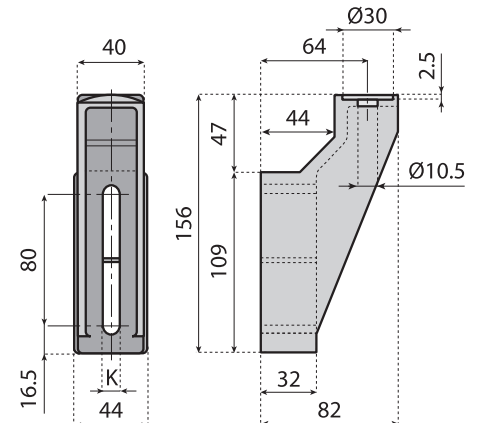


[Accessories](#)



BRACKET


Code	K		Material
131015	8.5	n°50	PA-FG
13020	10.5		

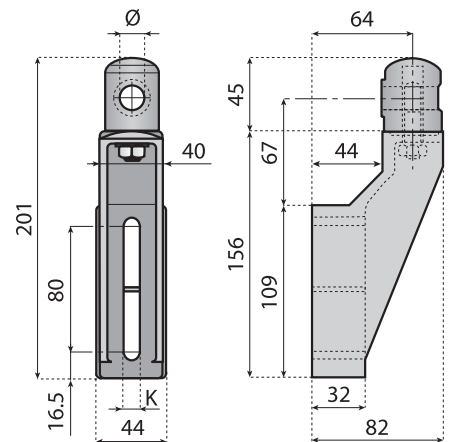


ADJUSTABLE BRACKET

Material: bracket and adjustable head in reinforced polyamide; eyebolt, nut and washer in stainless steel AISI 304.

Note: nut regulates rod position and head adjustability. Max recommended tightening torque 4 Kgm.


Code	For rod Ø (mm)	K	
131030	12		
131031	14	8.5	n°50
131032	16		
13021	12		
13088	14	10.5	n°50
13089	16		

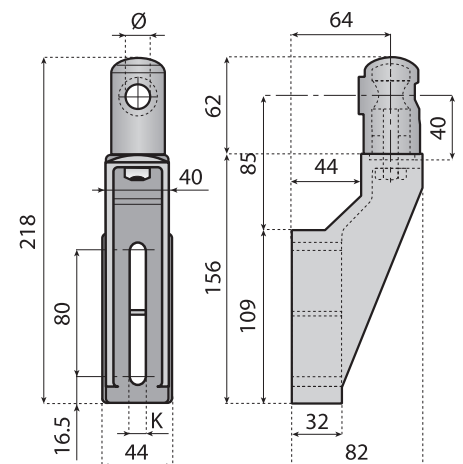


ADJUSTABLE BRACKET

Material: bracket and adjustable head in reinforced polyamide; bolt in nickel plated brass, screw and washer in stainless steel AISI 304.

Note: screw regulates rod position and head adjustability. Max recommended tightening torque 4 Kgm.

Code	For rod Ø (mm)	K	
131033	12		
131034	14	8.5	n°50
131035	16		
13847	12		
13848	14	10.5	n°50
13849	16		



Preferred type, readily available (codes marked in red)



AISI 304
Stainless steel



Nickel plated brass



Reinforced polyamide



Accessories

IMPROVED DESIGN

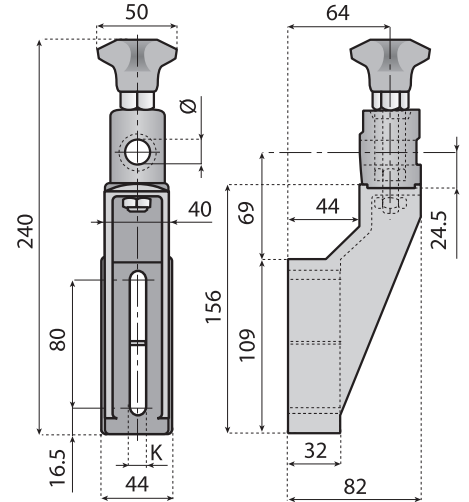


ADJUSTABLE BRACKET

Material: bracket and adjustable head in reinforced polyamide; eyebolt, nut, screws and washer in stainless steel AISI 304; knob in polyamide with nickel plated brass insert.

Note: screw regulates rod position and head adjustability. Max recommended tightening torque 4 Kgm.

Code	For rod \varnothing (mm)	K	
131036	12		
131037	14	8.5	n°50
131038	16		
13054	12		
13055	14	10.5	n°50
13056	16		

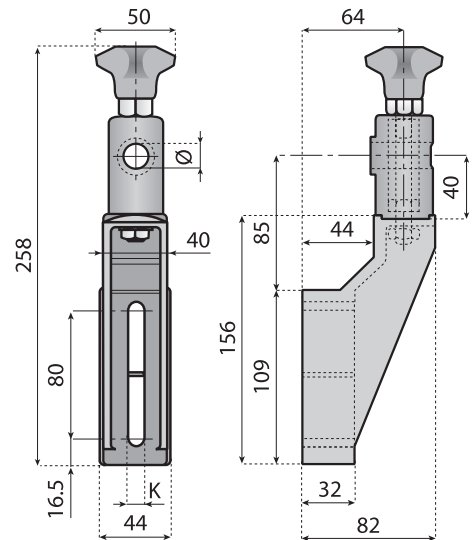


ADJUSTABLE BRACKET

Material: bracket and adjustable head in reinforced polyamide; eyebolt, nut, screws and washer in stainless steel AISI 304; knob in polyamide with nickel plated brass insert.

Note: screw regulates rod position and head adjustability. Max recommended tightening torque 4 Kgm.

Code	For rod \varnothing (mm)	K	
131039	12		
131040	14	8.5	n°50
131041	16		
13886	12		
13887	14	10.5	n°50
13888	16		

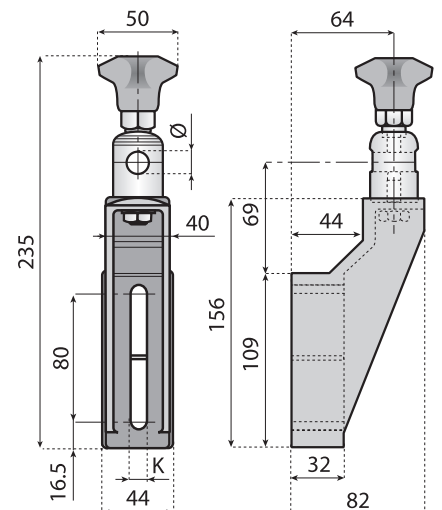


ADJUSTABLE BRACKET

Material: bracket in reinforced polyamide; screw and washer in stainless steel AISI 304; knob in polyamide with nickel plated brass insert.

Note: screw regulates rod position and head adjustability. Max recommended tightening torque 4 Kgm.

Code	Code	Head material	For rod \varnothing (mm)	K	
Version with star knob	Version with screw				
131042	131045	Nickel plated brass	12	8.5	n°50
131043	131046		14		
131044	131047		16		
131048	131051	Stainless steel AISI 304	12	8.5	n°50
131049	131052		14		
131050	131053		16		
13749	13746	Nickel plated brass	12	10.5	n°50
13750	13747		14		
13751	13748		16		
13025	13022	Stainless steel AISI 304	12	10.5	n°50
13026	13023		14		
13027	13024		16		



ADJUSTABLE BRACKETS

 Preferred type, readily available (codes marked in red)



AISI 304
Stainless steel



Nickel plated brass



Reinforced polyamide



[Accessories](#)



BRACKET

Code

131054
13270

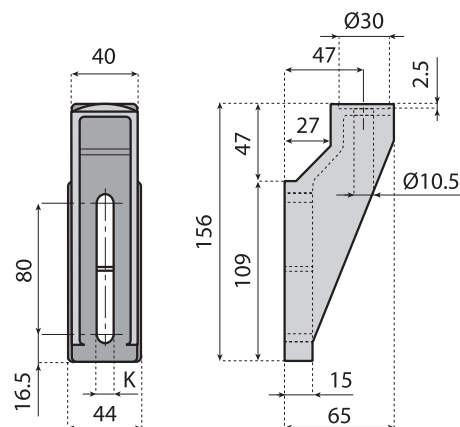
K

8.5
10.5



Material

n°50 PA-FG



ADJUSTABLE BRACKET

Material: bracket and adjustable head in reinforced polyamide; eyebolt, nut and washer in stainless steel AISI 304.

Note: nut regulates rod position and head adjustability. Max recommended tightening torque 4 Kgm.

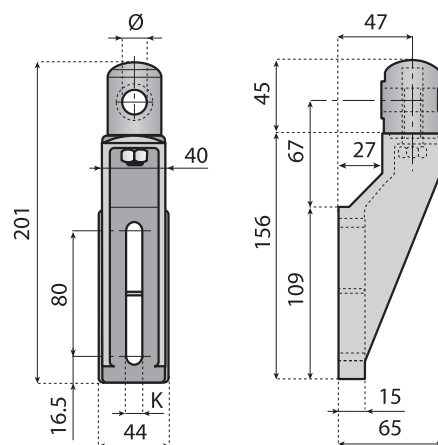
Code

131055
131056
131057
13271
13272
13273

For rod
Ø (mm)

K

12
14 8.5 n°50
16
12
14 10.5 n°50
16



ADJUSTABLE BRACKET

Material: bracket and adjustable head in reinforced polyamide; bolt in nickel plated brass, screw and washer in stainless steel AISI 304.

Note: screw regulates rod position and head adjustability. Max recommended tightening torque 4 Kgm.

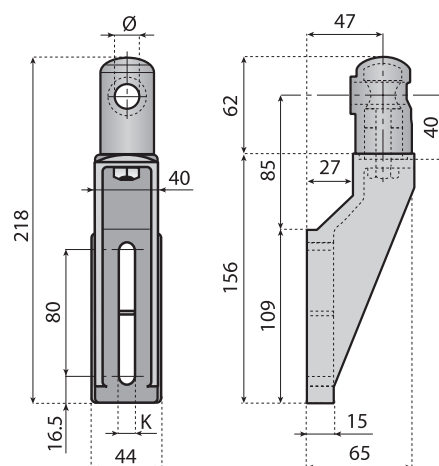
Code

131058
131059
131060
13274
13275
13276

For rod
Ø (mm)

K

12
14 8.5 n°50
16
12
14 10.5 n°50
16




 Preferred type, readily available (codes marked in red)

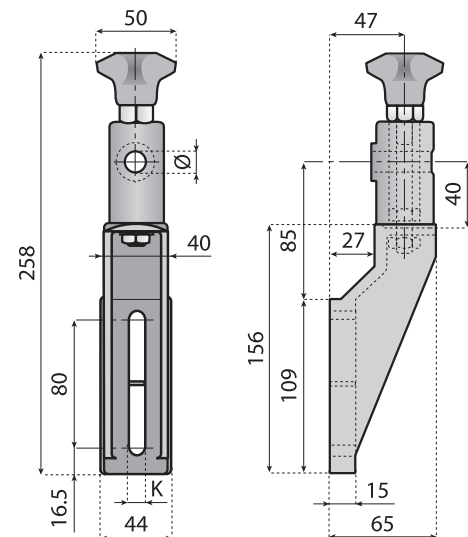
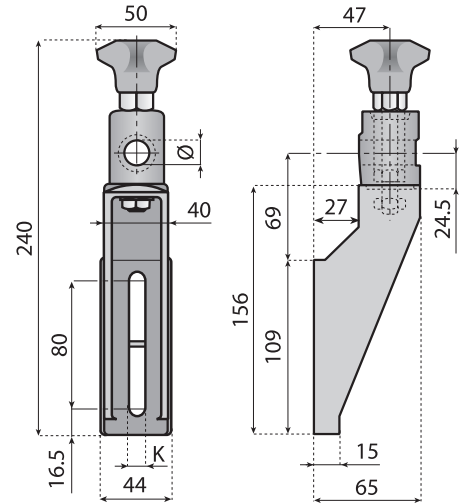
IMPROVED DESIGN



ADJUSTABLE BRACKET


Material: bracket and adjustable head in reinforced polyamide; eyebolt, nut, screws and washer in stainless steel; knob in polyamide with nickel plated brass insert.
Note: screw regulates rod position and head adjustability. Max recommended tightening torque 4 Kgm.

Code	For rod Ø (mm)	K	
131061	12		
131062	14	8.5	n°50
131063	16		
13277	12		
13278	14	10.5	n°50
13279	16		




ADJUSTABLE BRACKET

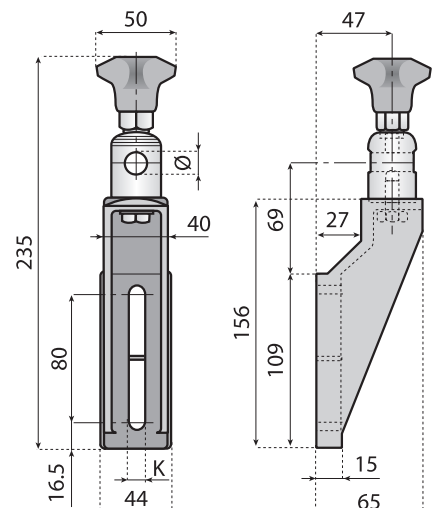
Material: bracket and adjustable head in reinforced polyamide; eyebolt, nut, screws and washer in stainless steel AISI 304; knob in polyamide with nickel plated brass insert.
Note: screw regulates rod position and head adjustability. Max recommended tightening torque 4 Kgm.

Code	For rod Ø (mm)	K	
131064	12		
131065	14	8.5	n°50
131066	16		
13280	12		
13281	14	10.5	n°50
13282	16		

ADJUSTABLE BRACKET

Material: bracket in reinforced polyamide; screw and washer in stainless steel AISI 304; knob in polyamide with nickel plated brass insert.
Note: screw regulates rod position and head adjustability. Max recommended tightening torque 4 Kgm.

Code	Code	Head material	For rod Ø (mm)	K	
Version with star knob	Version with screw				
131067	131070	Nickel plated brass	12	8.5	n°50
131068	131071		14		
131069	131072		16		
131073	131076	Stainless steel AISI 304	12	8.5	n°50
131074	131077		14		
131075	131078		16		
13283	13289	Nickel plated brass	12	10.5	n°50
13284	13290		14		
13285	13291		16		
13286	13292	Stainless steel AISI 304	12	10.5	n°50
13287	13293		14		
13288	13294		16		



ADJUSTABLE BRACKETS

 Preferred type, readily available (codes marked in red)



AISI 304
Stainless steel



Nickel plated brass



Reinforced polyamide



[Accessories](#)



BRACKET

Code

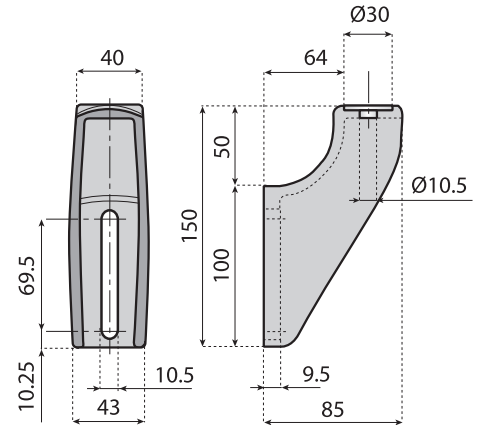
13185



n°50



PA-FG



ADJUSTABLE BRACKET

Material: bracket and adjustable head in reinforced polyamide; eyebolt, nut and washer in stainless steel AISI 304.

Note: nut regulates rod position and head adjustability. Max recommended tightening torque 4 Kgm.

Code

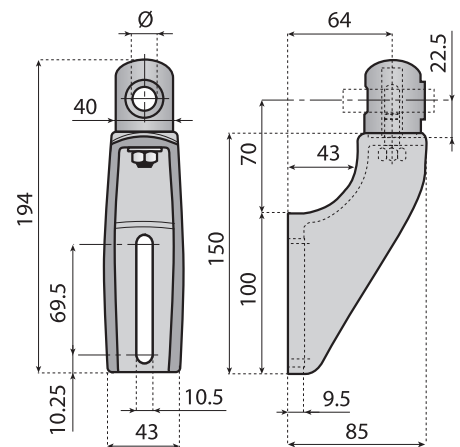
13530
13531
13532



12
14
16



n°50



ADJUSTABLE BRACKET

Material: bracket and adjustable head in reinforced polyamide; bolt in nickel plated brass, screw and washer in stainless steel AISI 304.

Note: screw regulates rod position and head adjustability. Max recommended tightening torque 4 Kgm.

Code

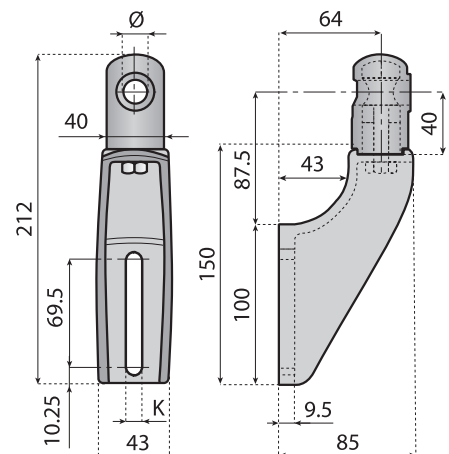
13533
13534
13535



12
14
16



n°50



 Preferred type, readily available (codes marked in red)



AISI 304
Stainless steel



Nickel plated brass



Reinforced polyamide



[Accessories](#)

IMPROVED DESIGN

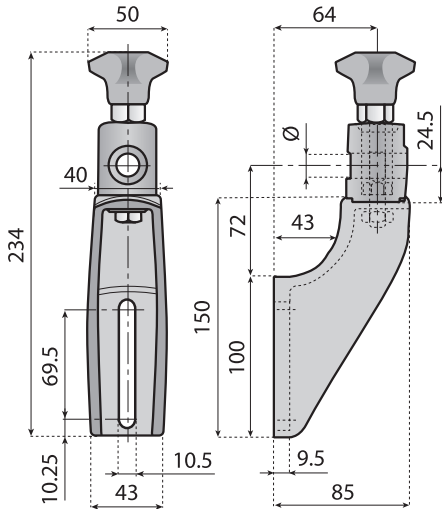


ADJUSTABLE BRACKET

Material: bracket and adjustable head in reinforced polyamide; eyebolt, nut, screws and washer in stainless steel AISI 304; knob in polyamide with nickel plated brass insert.

Note: screw regulates rod position and head adjustability. Max recommended tightening torque 4 Kgm.

Code	For rod Ø (mm)	
13536	12	
13537	14	n°50
13538	16	

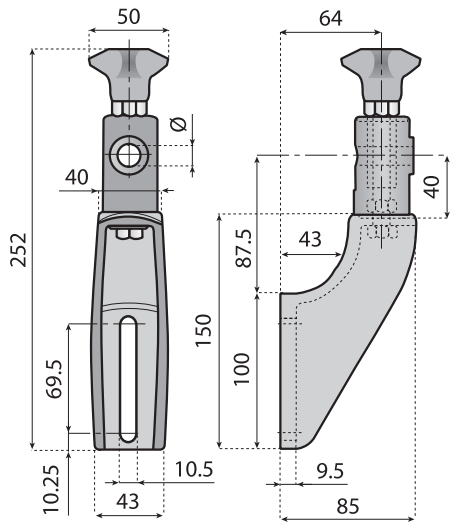


ADJUSTABLE BRACKET

Material: bracket and adjustable head in reinforced polyamide; eyebolt, nut, screws and washer in stainless steel AISI 304; knob in polyamide with nickel plated brass insert.

Note: screw regulates rod position and head adjustability. Max recommended tightening torque 4 Kgm.


Code	For rod Ø (mm)	
13539	12	
13540	14	n°50
13541	16	

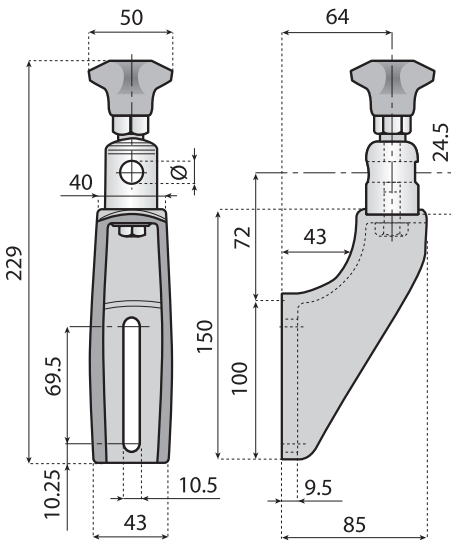


ADJUSTABLE BRACKET

Material: bracket in reinforced polyamide; screw and washer in stainless steel AISI 304; knob in polyamide with nickel plated brass insert.

Note: screw regulates rod position and head adjustability. Max recommended tightening torque 4 Kgm.

Code	Head material	For rod Ø (mm)	
13542	Nickel	12	
13543	plated brass	14	n°50
13544		16	
13545	Stainless steel	12	
13546	AISI 304	14	n°50
13547		16	



ADJUSTABLE BRACKETS

 Preferred type, readily available (codes marked in red)



AISI 304
Stainless steel



Nickel plated brass



Reinforced polyamide



Accessories



BRACKET WITH TONGUE

Code

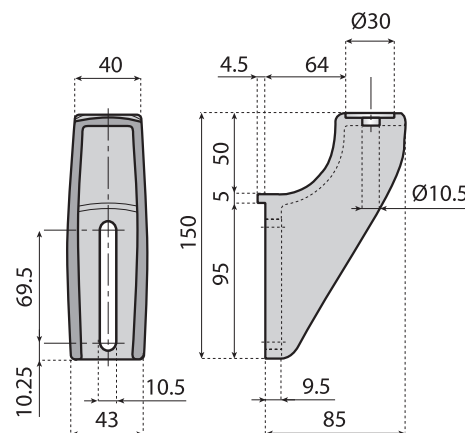
13186



n°50



PA-FG



ADJUSTABLE BRACKET

Material: bracket and adjustable head in reinforced polyamide; eyebolt, nut and washer in stainless steel AISI 304.

Note: nut regulates rod position and head adjustability. Max recommended tightening torque 4 Kgm.

Code

13580

13581

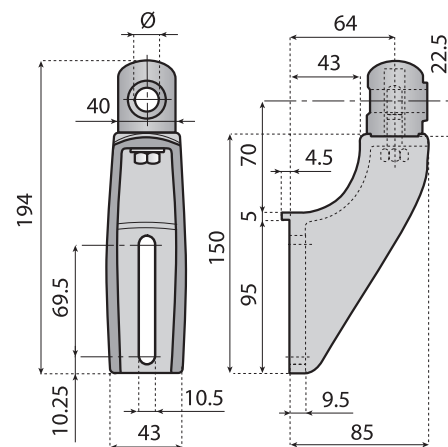
13582



12
14
16



n°50



ADJUSTABLE BRACKET

Material: bracket and adjustable head in reinforced polyamide; bolt in nickel plated brass, screw and washer in stainless steel AISI 304.

Note: screw regulates rod position and head adjustability. Max recommended tightening torque 4 Kgm.

Code

13583

13584

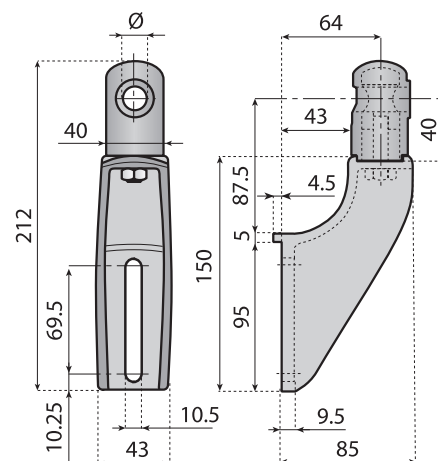
13585



12
14
16



n°50



 Preferred type, readily available (codes marked in red)



AISI 304
Stainless steel



Nickel plated brass



Reinforced polyamide



[Accessories](#)

IMPROVED DESIGN

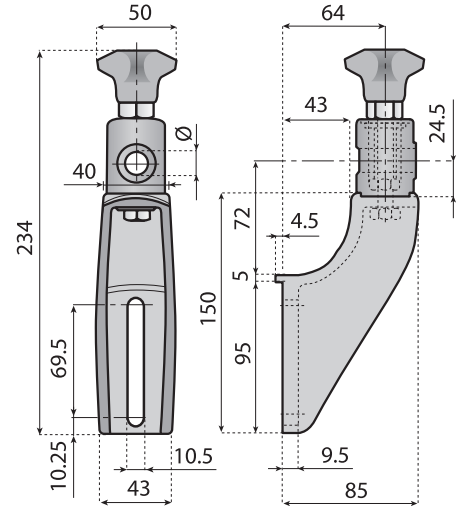


ADJUSTABLE BRACKET

Material: bracket and adjustable head in reinforced polyamide; eyebolt, nut, screws and washer in stainless steel AISI 304; knob in polyamide with nickel plated brass insert.

Note: screw regulates rod position and head adjustability. Max recommended tightening torque 4 Kgm.

Code	For rod Ø (mm)	
13586	12	
13587	14	n°50
13588	16	

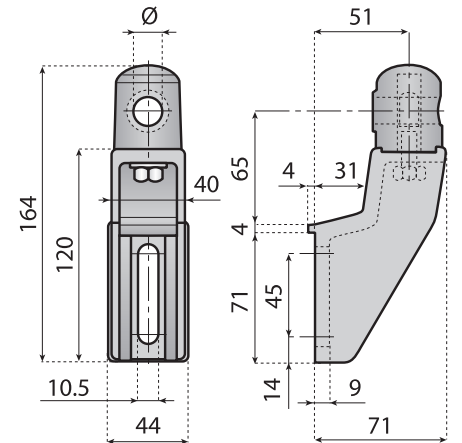


ADJUSTABLE BRACKET

Material: bracket and adjustable head in reinforced polyamide; eyebolt, nut, screws and washer in stainless steel AISI 304; knob in polyamide with nickel plated brass insert.

Note: screw regulates rod position and head adjustability. Max recommended tightening torque 4 Kgm.


Code	For rod Ø (mm)	
13589	12	
13590	14	n°50
13591	16	

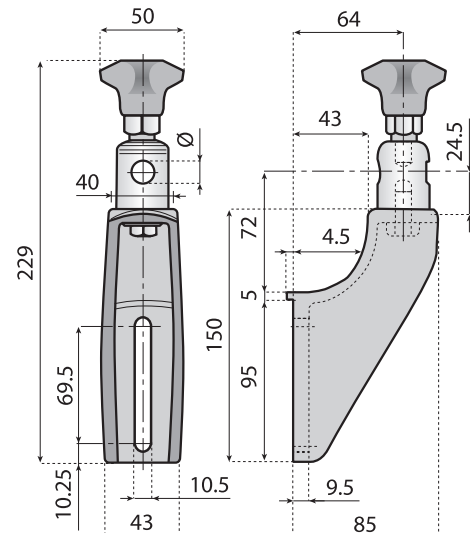


ADJUSTABLE BRACKET

Material: bracket in reinforced polyamide; screw and washer in stainless steel AISI 304; knob in polyamide with nickel plated brass insert.

Note: screw regulates rod position and head adjustability. Max recommended tightening torque 4 Kgm.

Code	Head material	For rod Ø (mm)	
13592	Nickel	12	
13593	plated brass	14	n°50
13594		16	
13595	Stainless steel	12	
13596	AISI 304	14	n°50
13597		16	



ADJUSTABLE BRACKETS

 Preferred type, readily available (codes marked in red)



AISI 304
Stainless steel



Nickel plated brass



Reinforced polyamide



Accessories



BRACKET

Code

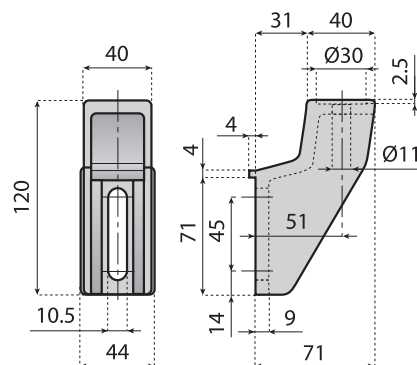
13040



n°50



PA-FG



ADJUSTABLE BRACKET

Material: bracket and adjustable head in reinforced polyamide; eyebolt, nut and washer in stainless steel AISI 304.

Note: nut regulates rod position and head adjustability. Max recommended tightening torque 4 Kgm.

Code

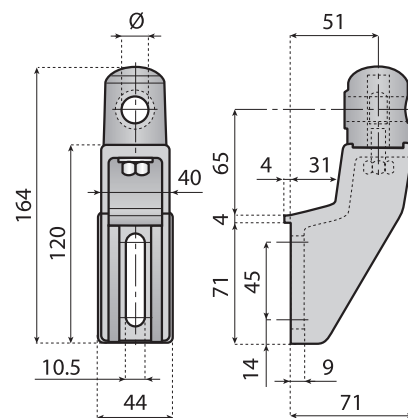
13041
13042
13043



12
14
16



n°50



ADJUSTABLE BRACKET

Material: bracket and adjustable head in reinforced polyamide; threaded insert in nickel plated brass, screw and washer in stainless steel AISI 304.

Note: screw regulates rod position and head adjustability. Max recommended tightening torque 4 Kgm.

Code

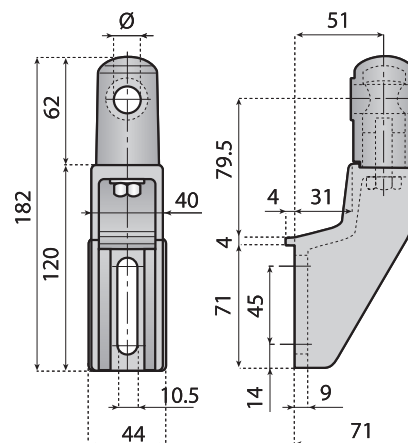
13889
13890
13891



12
14
16



n°50



👉 Preferred type, readily available (codes marked in red)



AISI 304
Stainless steel



Nickel plated brass



Reinforced polyamide



232 → 244
Accessories

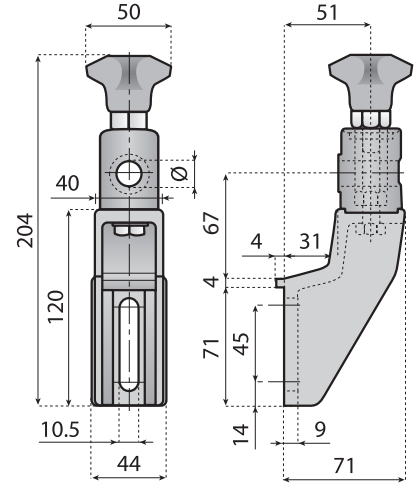
IMPROVED DESIGN



ADJUSTABLE BRACKET

Material: bracket and adjustable head in reinforced polyamide; eyebolt, nut, screws and washer in stainless steel AISI 304; knob in polyamide with nickel plated brass insert.
Note: screw regulates rod position and head adjustability. Max recommended tightening torque 4 Kgm.

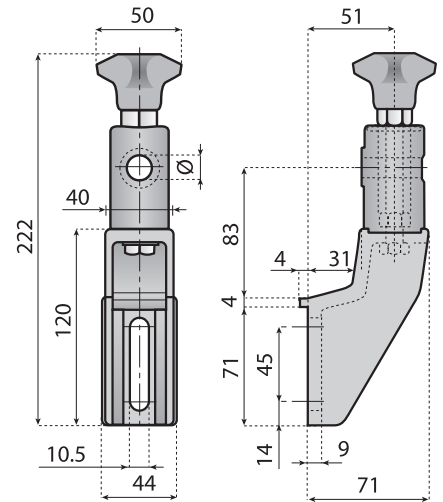
Code	For rod Ø (mm)	
13044	12	
13045	14	n°50
13046	16	



ADJUSTABLE BRACKET

Material: bracket and adjustable head in reinforced polyamide; eyebolt, nut, screws and washer in stainless steel AISI 304; knob in polyamide with nickel plated brass insert.
Note: screw regulates rod position and head adjustability. Max recommended tightening torque 4 Kgm.

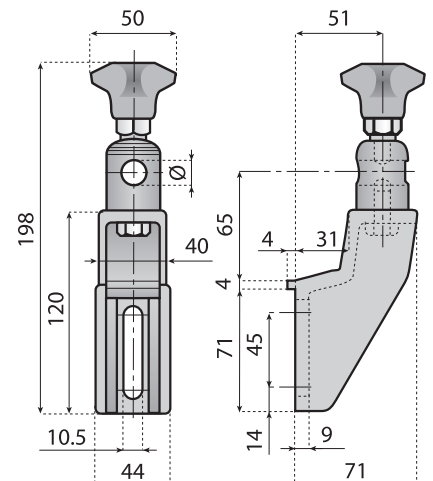
Code	For rod Ø (mm)	
13892	12	
13893	14	n°50
13894	16	



ADJUSTABLE BRACKET

Material: bracket in reinforced polyamide; screw and washer in stainless steel AISI 304; knob in polyamide with nickel plated brass insert.
Note: screw regulates rod position and head adjustability. Max recommended tightening torque 4 Kgm.

Code	Head material	For rod Ø (mm)	
13100	Nickel	12	
13101	plated brass	14	n°50
13102		16	
13047	Stainless steel	12	
13048	AISI 304	14	n°50
13049		16	



SIDE GUIDE BRACKETS

 Preferred type, readily available (codes marked in red)



AISI 304
Stainless steel



Nickel plated brass



Reinforced polyamide



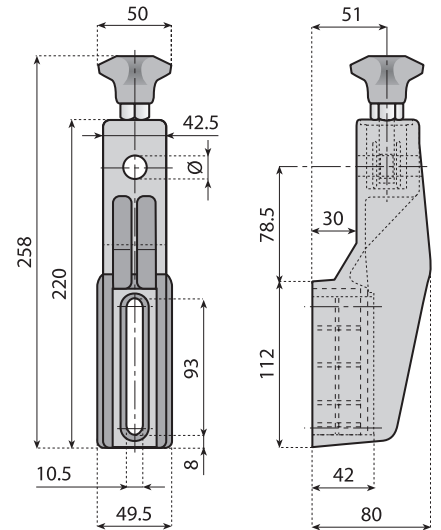
Accessories



EXTRA-BRACKET

Material: bracket in reinforced polyamide; eyebolt, and washer in stainless steel AISI 304; knob in polyamide with nickel plated brass insert.
Note: max recommended tightening torque 4 Kgm.

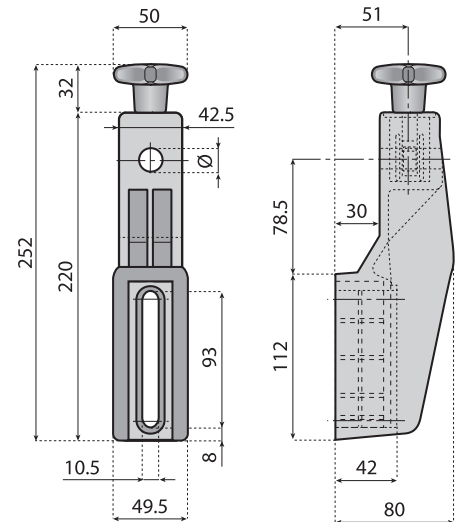
Code	For rod Ø (mm)	
13050	12	
13051	14	n°25
13052	16	



EXTRA-BRACKET

Material: bracket in reinforced polyamide; eyebolt, and washer in stainless steel AISI 304; knob in polyamide with nickel plated brass insert.
Note: max recommended tightening torque 4 Kgm.

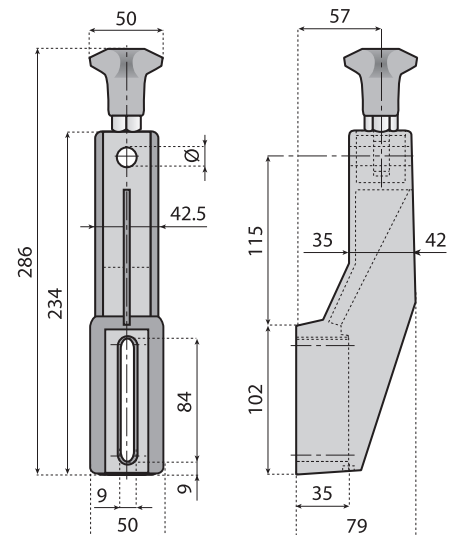
Code	For rod Ø (mm)	
13895	12	
13896	14	n°25
13897	16	



EXTRA-BRACKET

Material: bracket in reinforced polyamide; eyebolt, and washer in stainless steel AISI 304; knob in polyamide with nickel plated brass insert.
Note: max recommended tightening torque 4 Kgm.

Code	For rod Ø (mm)	
13205	12	
13206	14	n°25
13207	16	



 Preferred type, readily available (codes marked in red)



AISI 304
Stainless steel



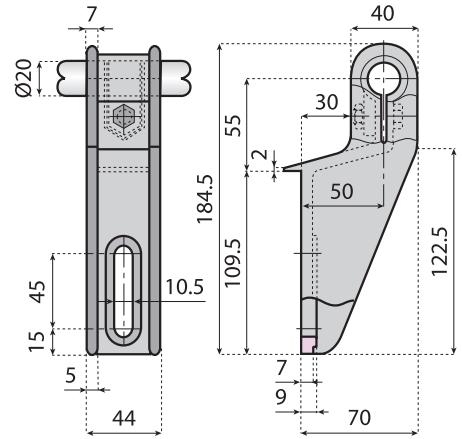
Reinforced
polyamide



SIDE BRACKET FOR HORIZONTAL TUBES

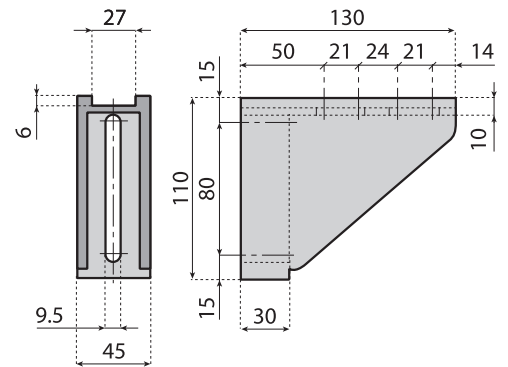
Material: bracket in reinforced polyamide, nut, screws and washers in stainless steel AISI 304.
Supply: unassembled.

Code	
13898	n°50



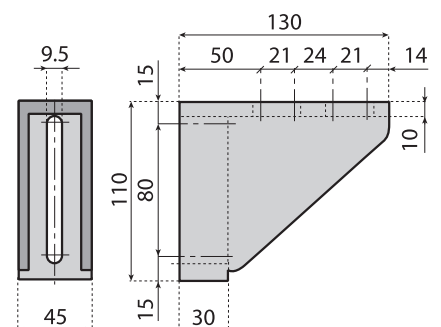
SIDE BRACKET

Code		Material
13251	n°50	PA-FG



SIDE BRACKET

Code		Material
13249	n°50	PA-FG



SIDE BRACKETS



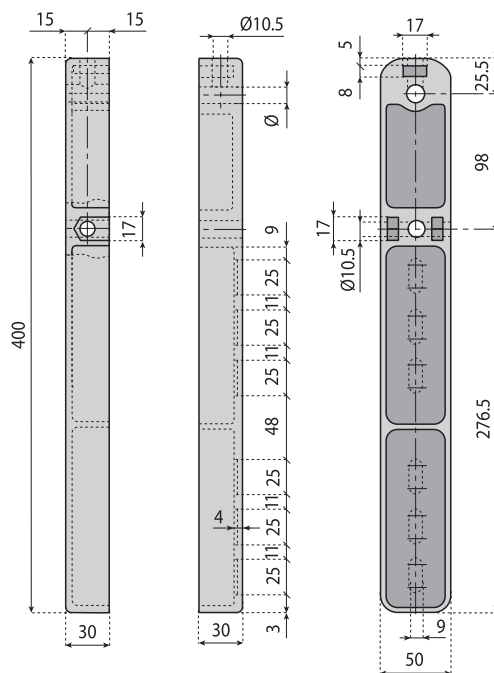
Reinforced polyamide



SIDE BRACKET

Application: air conveyors for PET bottles.

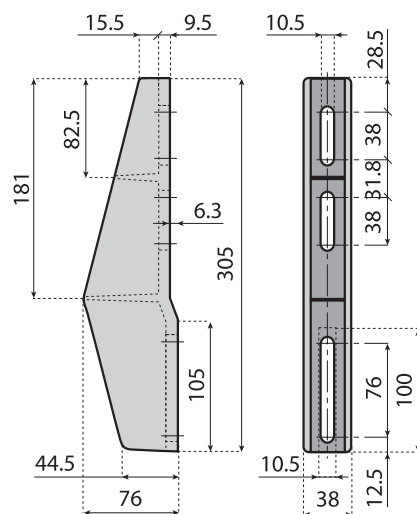
Code	For rod Ø (mm)	n°50	Material
13930	12		PA-FG
13931	14	n°50	PA-FG
13932	16		PA-FG



FIXED BRACKET

Application: conveyors with fixed guides.

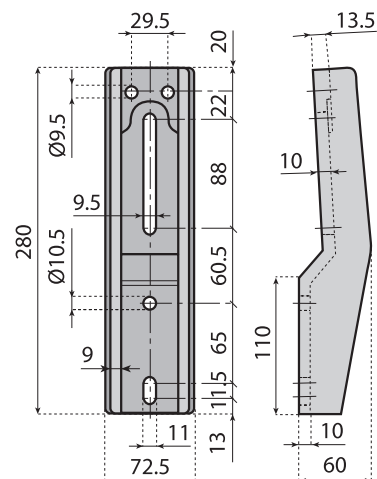
Code	n°50	Material
13057	n°50	PA-FG



FIXED BRACKET

Application: conveyor frames.

Code	n°50	Material
13900	n°50	PA-FG



SIDE BRACKETS IN STAINLESS STEEL

👉 Preferred type, readily available (codes marked in red)



AISI 304
Stainless steel



Accessories



SIDE BRACKET

Code

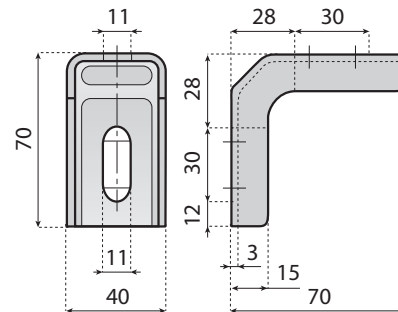
13804



n°50



SS
AISI 304



SIDE BRACKET

Code

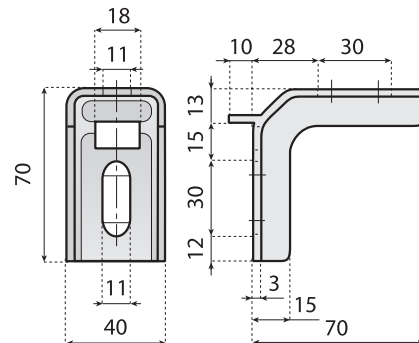
13803



n°50



SS
AISI 304



SIDE BRACKET

Code

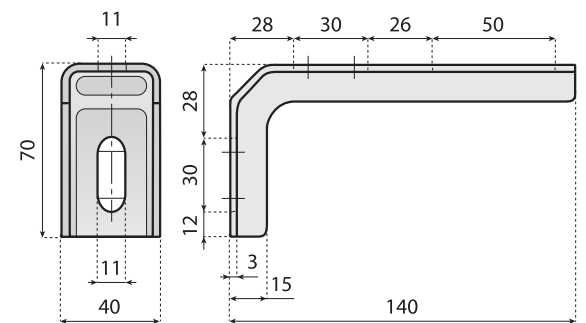
13802



n°50



SS
AISI 304



SIDE BRACKET

Code

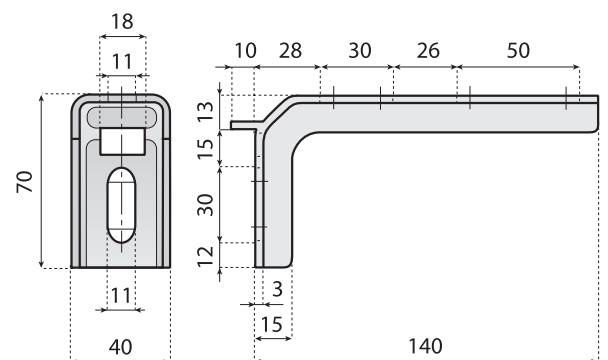
13801




n°50

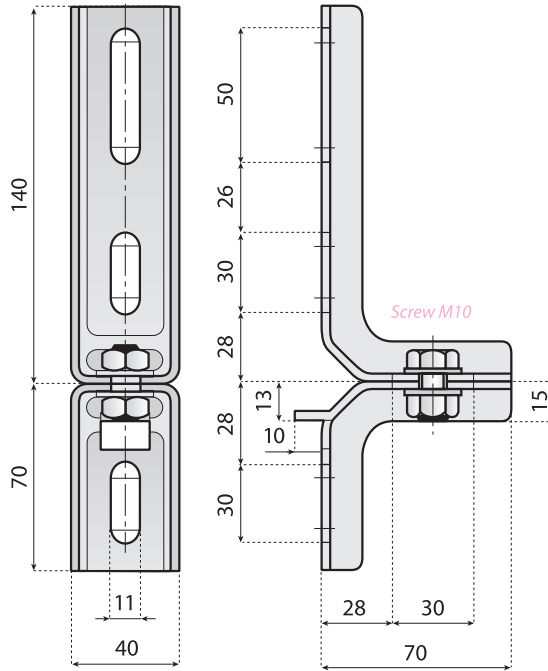


SS
AISI 304



SIDE BRACKETS IN STAINLESS STEEL

 Preferred type, readily available
(codes marked in red)



SS 304
AISI 304
Stainless steel

SIDE BRACKET

Thickness: $S = 3$ mm.
Surface: tumbling finish.

Code

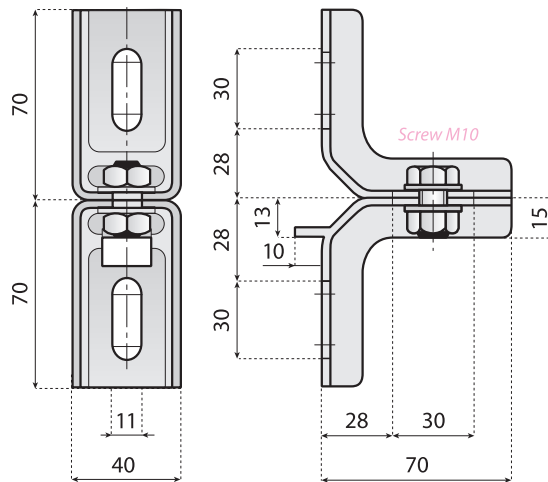
13805



n°25



SS
AISI 304



SIDE BRACKET

Thickness: $S = 3$ mm.
Surface: tumbling finish.

Code

13806

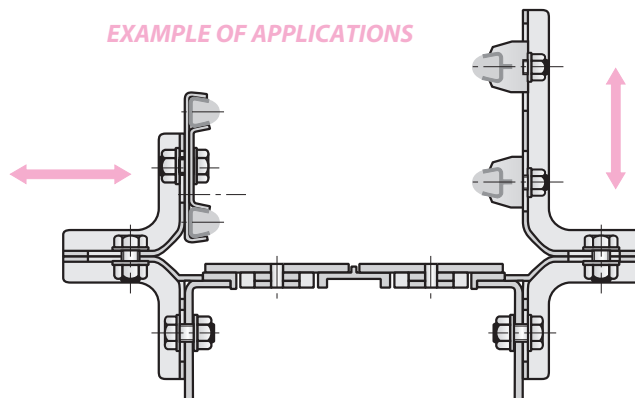


n°25



SS
AISI 304

EXAMPLE OF APPLICATIONS





AISI 304
Stainless steel



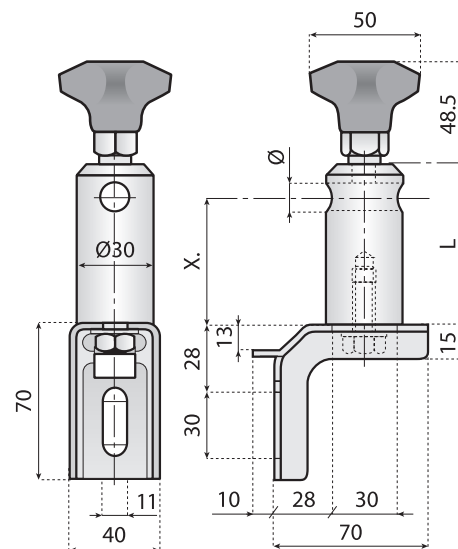
Nickel plated brass



Polyamide



Accessories



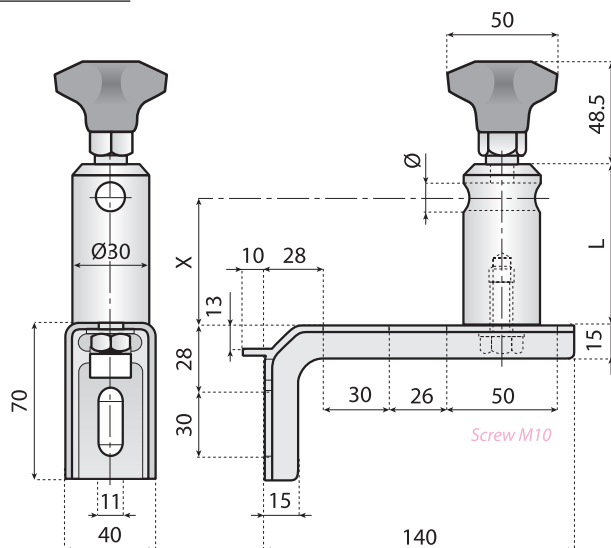
Screw M10

Code

Bracket standard	Bracket with tongue	For rod Ø (mm)		X	L
13815W	13815			40	55
13818W	13818	12	n°25	60	75
13821W	13821			90	105
13824W	13824			130	145
13816W	13816			40	56
13819W	13819	14	n°25	60	76
13822W	13822			90	106
13825W	13825			130	146
13817W	13817			40	57
13820W	13820	16	n°25	60	77
13823W	13823			90	107
13826W	13826			130	147

SIDE BRACKET WITH ADJUSTABLE HEAD

Material: bracket, head and bolts in stainless steel AISI 304. Knob in polyamide with hexagonal bushing in nickel plated brass.



Screw M10

Code

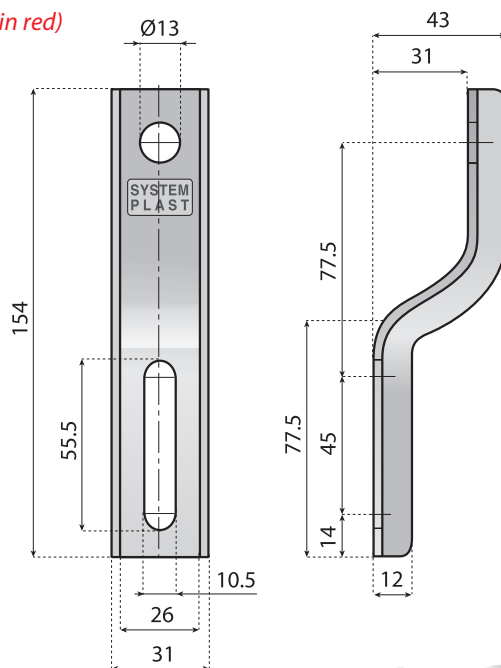
Bracket standard	Bracket with tongue	For rod Ø (mm)		X	L
131100W	131100			40	55
131101W	131101	12	n°25	60	75
131102W	131102			90	105
131103W	131103			130	145
131104W	131104			40	56
131105W	131105	14	n°25	60	76
131106W	131106			90	106
131107W	131107			130	146
131108W	131108			40	57
131109W	131109	16	n°25	60	77
131110W	131110			90	107
131111W	131111			130	147

SIDE BRACKET WITH ADJUSTABLE HEAD

Material: bracket, head and bolts in stainless steel AISI 304. Knob in polyamide with hexagonal bushing in nickel plated brass.

SIDE BRACKETS IN STAINLESS STEEL

 Preferred type, readily available (codes marked in red)



AISI 304
Stainless steel

FIXED BRACKET

Thickness: $S = 2.5$ mm.

Surface: tumbling finish.

Use: support for side guides.

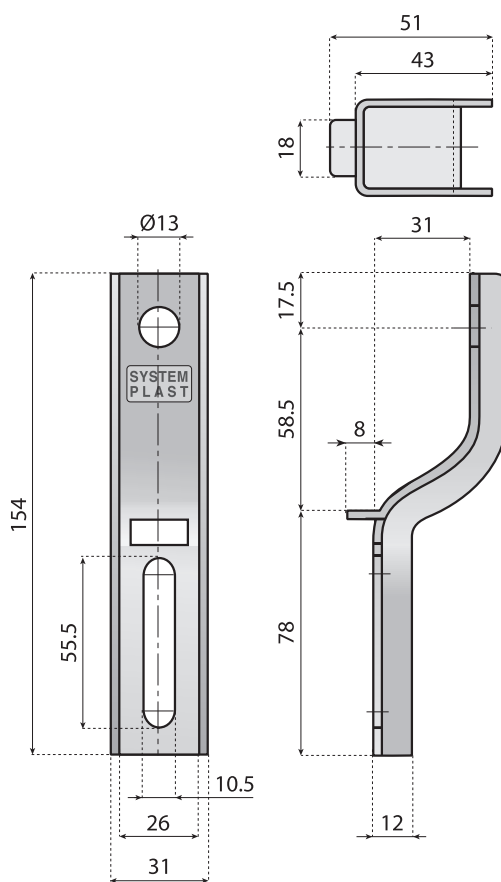
Code

13809



n°50

SS
AISI 304



FIXED BRACKET

Thickness: $S = 2.5$ mm.

Surface: tumbling finish.

Use: support for side guides.

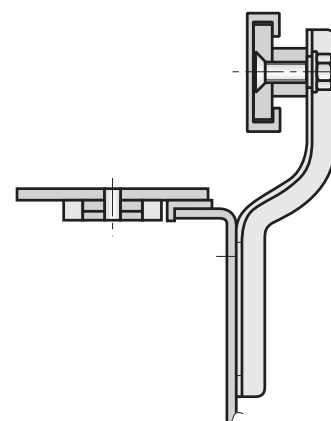
Code

13831



n°50

SS
AISI 304



STAINLESS STEEL GUIDE RAIL BRACKETS

 Preferred type, readily available (codes marked in red)



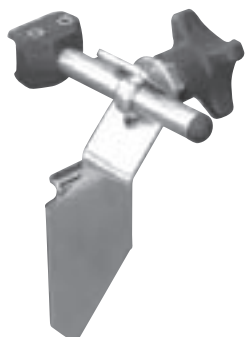
AISI 304
Stainless steel



Reinforced
polyamide



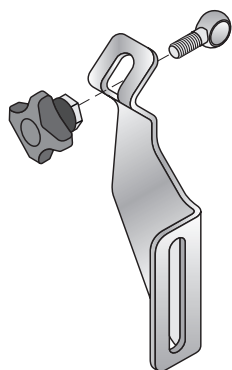
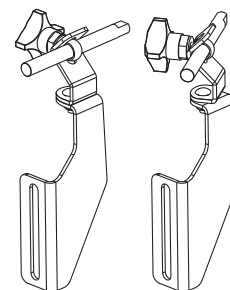
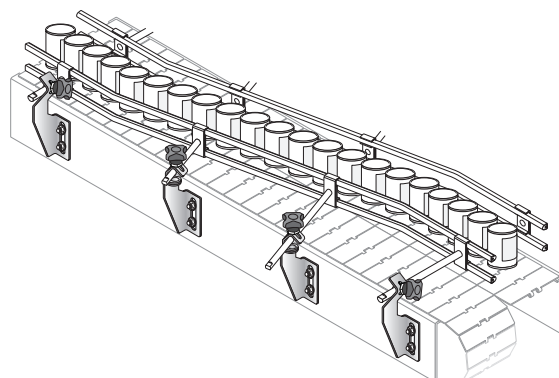
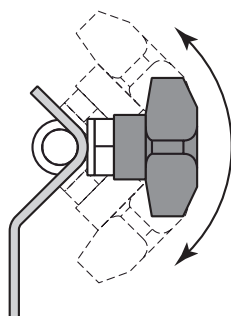
Par. # 6,189,685
Par. # 6,669,009
(USA)



NEW VALU GUIDE STAINLESS STEEL GUIDE RAIL BRACKETS


Characteristics:

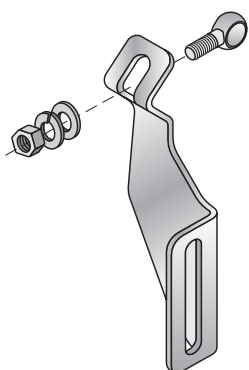
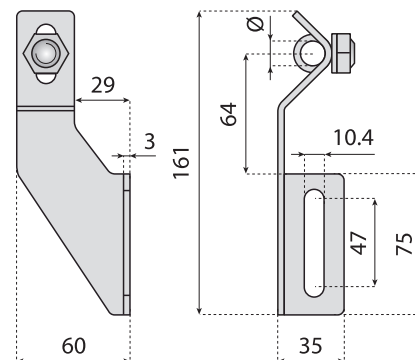
- 304 stainless steel
- Versatile, sanitary design
- High temperature or corrosive environments
- Tall or short, fixed or swivel



STAINLESS STEEL BRACKET WITH EYEBOLT AND KNOB


Material: body in stainless steel, eyebolt and washer in stainless steel AISI 304, knob in reinforced polyamide with nickel plated brass insert.

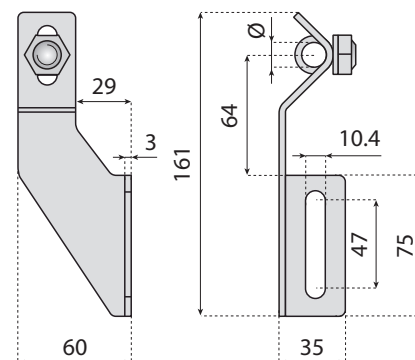
Code	Ref.	For rod Ø (mm)	
13S00001	VG-213-12-01	12-13	n°4
13S00003	VG-213-14-01	14	
13S00005	VG-213-58-01	16	
13S00004	VG-213-20-01	20	



STAINLESS STEEL BRACKET WITH EYEBOLT AND NUT

Material: body in stainless steel, eyebolt and washer in stainless steel AISI 304, knob in reinforced polyamide with nickel plated brass insert.

Code	Ref.	For rod Ø (mm)	
13S00007	VG-213N-12-01	12-13	n°4
13S00008	VG-213N-14-01	14	
13S00010	VG-213N-58-01	16	
13S00009	VG-213N-20-01	20*	



*Ø20 versions can be converted to SpeedSet brackets.

STAINLESS STEEL GUIDE RAIL BRACKETS

 Preferred type, readily available (codes marked in red)



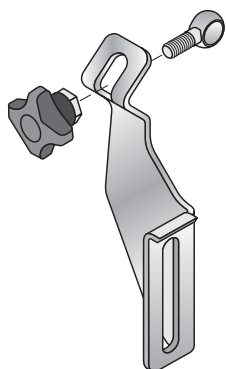
AISI 304
Stainless steel



Reinforced
polyamide




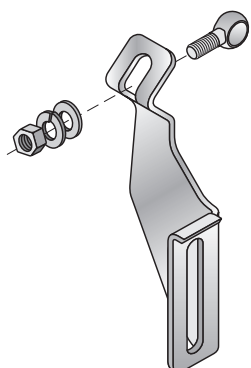
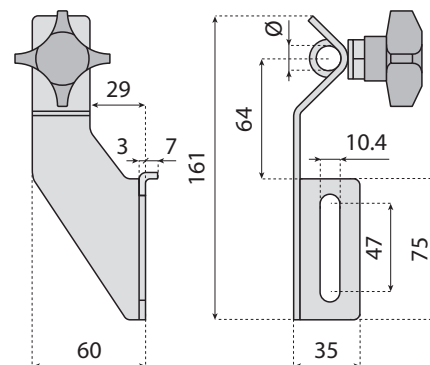
Par. # 6,189,685
Par. # 6,543,608
Par. # 6,669,009
(USA)



STAINLESS STEEL BRACKETS WITH LIP, EYEBOLT AND KNOB


Material: body in stainless steel, eyebolt and washer in stainless steel AISI 304, knob in polyamide with nickel plated brass insert.

Code	Ref.	For rod Ø (mm)	
13S00020	VG-213T-12-01	12-13	n°4
13S00025	VG-213T-14-01	14	
13S00022	VG-213T-58-01	16	
13S00021	VG-213T-20-01	20	

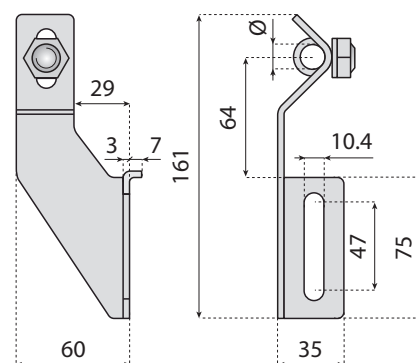


STAINLESS STEEL BRACKETS WITH LIP, EYEBOLT AND NUT

Material: body in stainless steel, eyebolt and washer in stainless steel AISI 304.

Code	Ref.	For rod Ø (mm)	
13S00023	VG-213TN-12-01	12-13	n°4
13S00026	VG-213TN-14-01	14	
13S00024	VG-213TN-58-01	16	
13S00027	VG-213TN-20-01	20*	

*Ø20 versions can be converted to SpeedSet brackets.



STAINLESS STEEL GUIDE RAIL BRACKETS

 Preferred type, readily available (codes marked in red)



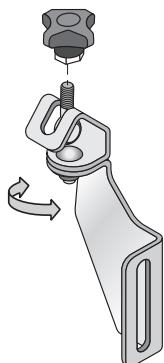
AISI 304
Stainless steel



Reinforced
polyamide




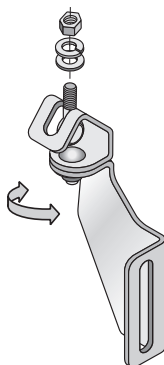
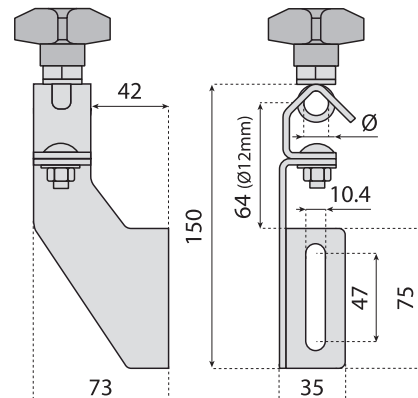
Par. # 6,189,685
Par. # 6,543,608
Par. # 6,669,009
(USA)



ADJUSTABLE STAINLESS STEEL BRACKETS


Material: body in stainless steel, eyebolt and washer in stainless steel AISI 304, knob in polyamide with nickel plated brass insert.

Code	Ref.	For rod Ø (mm)	
13S00011	VG-213R-12-01	12-13	
13S00028	VG-213R-14-01	14	
13S00012	VG-213R-58-01	16	n°4
13S00029	VG-213R-20-01	20	

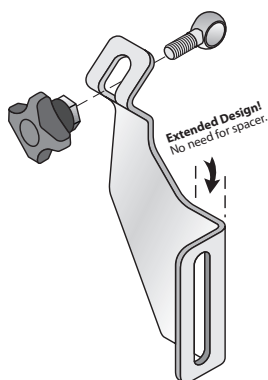
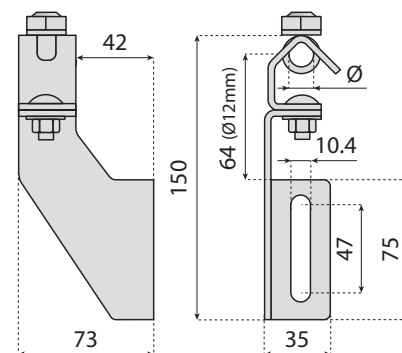


ADJUSTABLE STAINLESS STEEL BRACKETS

Material: body in stainless steel, eyebolt nut and washer in stainless steel AISI 304.


Code	Ref.	For rod Ø (mm)	
13S00032	VG-213RN-12-01	12-13	
13S00033	VG-213RN-14-01	14	
13S00034	VG-213RN-58-01	16	n°4
13S00035	VG-213RN-20-01	20*	

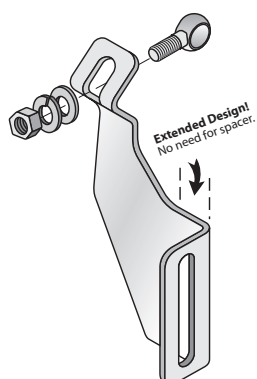
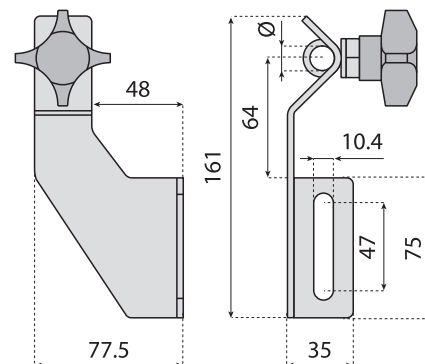
*Ø20 versions can be converted to SpeedSet brackets.



STAINLESS STEEL GUIDE RAIL BRACKETS


Material: body in stainless steel, eyebolt and washer in stainless steel AISI 304, knob in polyamide with nickel plated brass insert.

Code	Ref.	For rod Ø (mm)	
13S00002	VG-213-12-02	12-13	
13S00030	VG-213-14-02	14	
13S00006	VG-213-58-02	16	n°4
13S00031	VG-213-20-02	20	

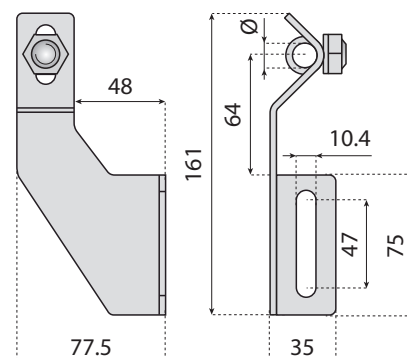


STAINLESS STEEL GUIDE RAIL BRACKETS

Material: body in stainless steel, eyebolt nut and washer in stainless steel AISI 304.

Code	Ref.	For rod Ø (mm)	
13S00036	VG-213N-12-02	12-13	
13S00037	VG-213N-14-02	14	
13S00038	VG-213N-58-02	16	n°4
13S00039	VG-213N-20-02	20*	

*Ø20 versions can be converted to SpeedSet brackets.



STAINLESS STEEL GUIDE RAIL BRACKETS

 Preferred type, readily available (codes marked in red)



Heavy duty



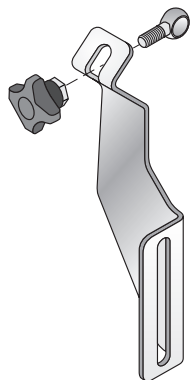
AISI 304
Stainless steel



Reinforced
polyamide




Par. # 6,189,685
Par. # 6,669,009
(USA)

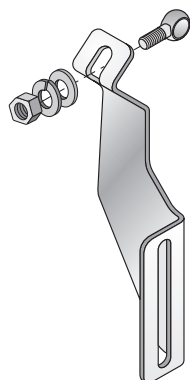
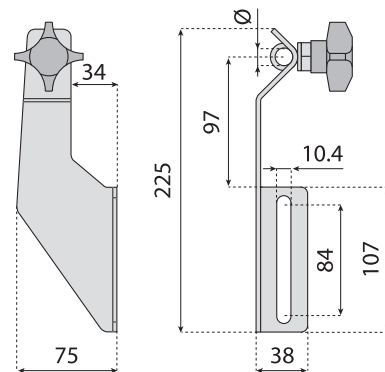


STAINLESS STEEL GUIDE RAIL BRACKETS

Material: body in stainless steel, eyebolt and washer in stainless steel AISI 304, knob in reinforced polyamide with nickel plated brass insert.

Characteristics: Heavy duty


Code	Ref.	For rod Ø (mm)	
13S00050	VG-223-12-01	12-13	
13S00052	VG-223-14-01	14	n°4
13S00055	VG-223-58-01	16	
13S00040	VG-223-20-01	20	



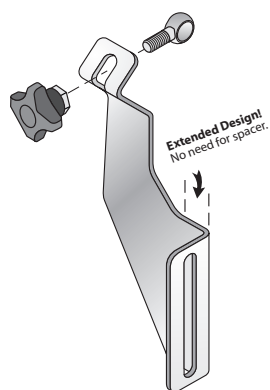
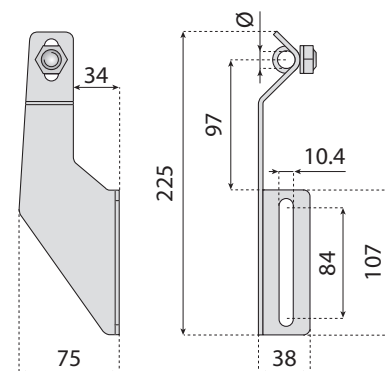
STAINLESS STEEL GUIDE RAIL BRACKETS

Material: body in stainless steel, eyebolt nut and washer in stainless steel AISI 304.

Characteristics: Heavy duty

Code	Ref.	For rod Ø (mm)	
13S00057	VG-223N-12-01	12-13	
13S00041	VG-223N-14-01	14	n°4
13S00058	VG-223N-58-01	16	
13S00042	VG-223N-20-01	20*	


*Ø20 versions can be converted to SpeedSet brackets.

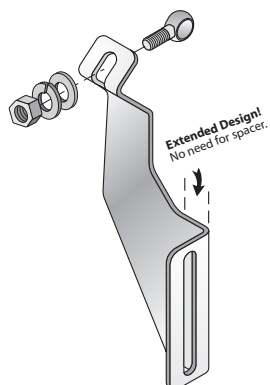
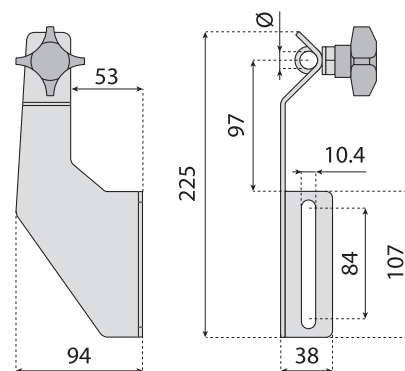


STAINLESS STEEL GUIDE RAIL BRACKETS

Material: body in stainless steel, eyebolt and washer in stainless steel AISI 304, knob in reinforced polyamide with nickel plated brass insert.

Characteristics: Heavy duty


Code	Ref.	For rod Ø (mm)	
13S00051	VG-223-12-02	12-13	
13S00053	VG-223-14-02	14	n°4
13S00056	VG-223-58-02	16	
13S00054	VG-223-20-02	20	



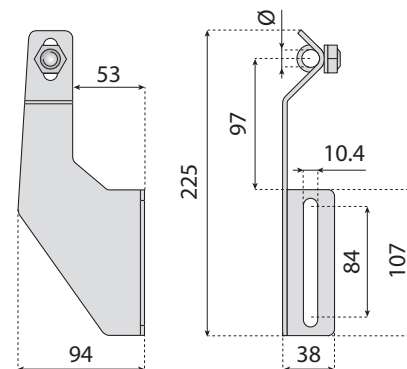
STAINLESS STEEL GUIDE RAIL BRACKETS

Material: body in stainless steel, eyebolt nut and washer in stainless steel AISI 304.

Characteristics: Heavy duty

Code	Ref.	For rod Ø (mm)	
13S00046	VG-223N-12-02	12-13	
13S00047	VG-223N-14-02	14	n°4
13S00048	VG-223N-58-02	16	
13S00049	VG-223N-20-02	20*	

*Ø20 versions can be converted to SpeedSet brackets.



STAINLESS STEEL GUIDE RAIL BRACKETS

 Preferred type, readily available (codes marked in red)



Heavy duty



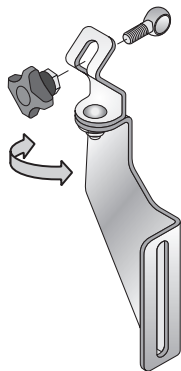
AISI 304
Stainless steel



Reinforced
polyamide




Par. # 6,189,685
Par. # 6,669,009
(USA)



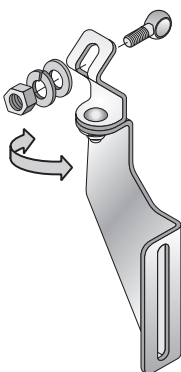
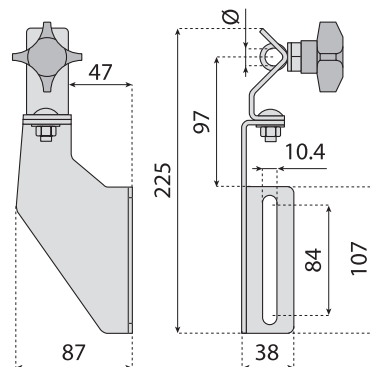
STAINLESS STEEL GUIDE RAIL BRACKETS

Material: body in stainless steel, eyebolt and washer in stainless steel AISI 304, knob in reinforced polyamide with nickel plated brass insert.

Characteristics: Heavy duty

Code	Ref.	For rod Ø (mm)	
13S00059	VG-223R-12-01	12-13	n°4
13S00060	VG-223R-14-01	14	
13S00062	VG-223R-58-01	16	
13S00061	VG-223R-20-01	20*	


*Ø20 versions can be converted to SpeedSet brackets.



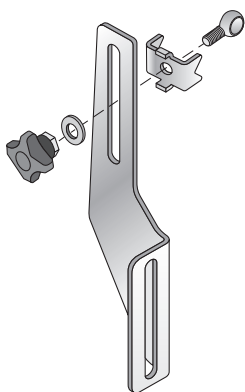
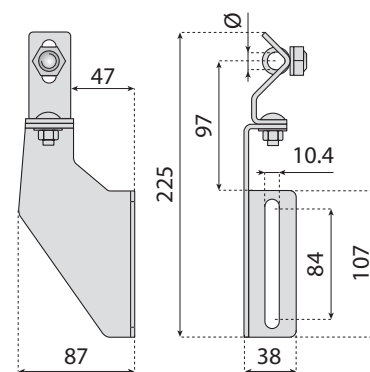
ADJUSTABLE STAINLESS STEEL GUIDE RAIL BRACKETS

Material: body in stainless steel, eyebolt nut and washer in stainless steel AISI 304.

Characteristics: Heavy duty

Code	Ref.	For rod Ø (mm)	
13S00064	VG-223RN-12-01	12-13	n°4
13S00043	VG-223RN-14-01	14	
13S00044	VG-223RN-58-01	16	
13S00045	VG-223RN-20-01	20*	


*Ø20 versions can be converted to SpeedSet brackets.

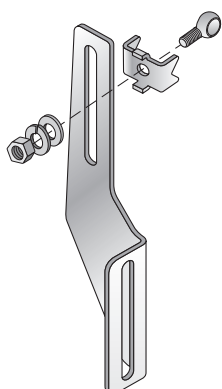
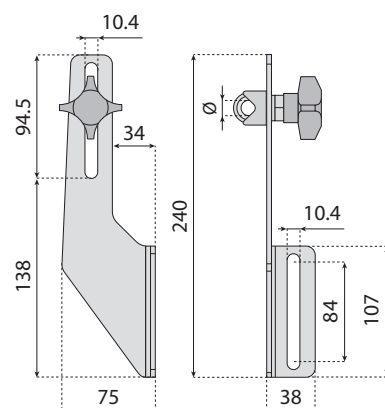


STAINLESS STEEL GUIDE RAIL BRACKETS

Material: body in stainless steel, eyebolt and washer in stainless steel AISI 304, knob in reinforced polyamide with nickel plated brass insert.

Characteristics: Heavy duty


Code	Ref.	For rod Ø (mm)	
13S00080	VG-223F-12-01	12-13	n°4
13S00081	VG-223F-14-01	14	
13S00082	VG-223F-58-01	16	
13S00083	VG-223F-20-01	20	



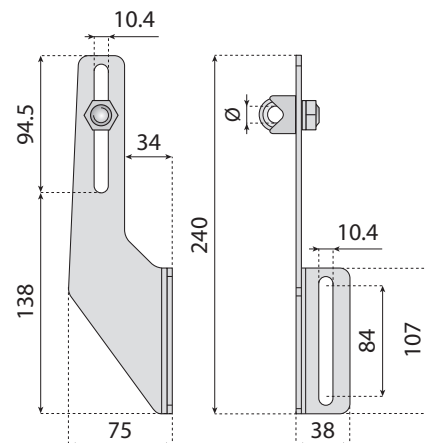
STAINLESS STEEL GUIDE RAIL BRACKETS

Material: body in stainless steel, eyebolt nut and washer in stainless steel AISI 304.

Characteristics: Heavy duty

Code	Ref.	For rod Ø (mm)	
13S00084	VG-223FN-12-01	12-13	n°4
13S00085	VG-223FN-14-01	14	
13S00086	VG-223FN-58-01	16	
13S00087	VG-223FN-20-01	20*	

*Ø20 versions can be converted to SpeedSet brackets.



STAINLESS STEEL GUIDE RAIL BRACKETS

 Preferred type, readily available (codes marked in red)



Stainless steel



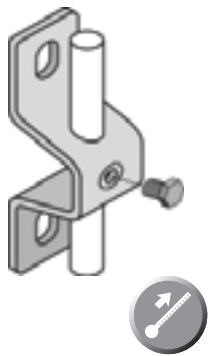
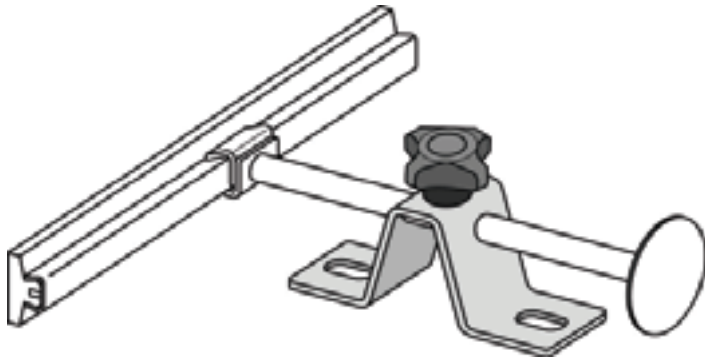
Reinforced polyamide



For use in high temperatures




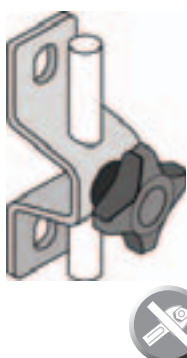
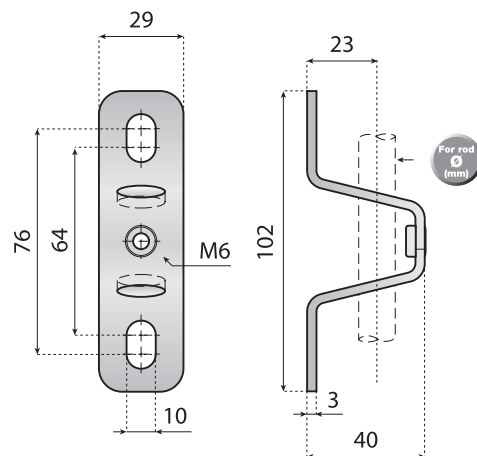
No tools required



STAINLESS STEEL GUIDE RAIL BRACKETS


Material: body in stainless steel, insert in nickel plated brass, screw in stainless steel

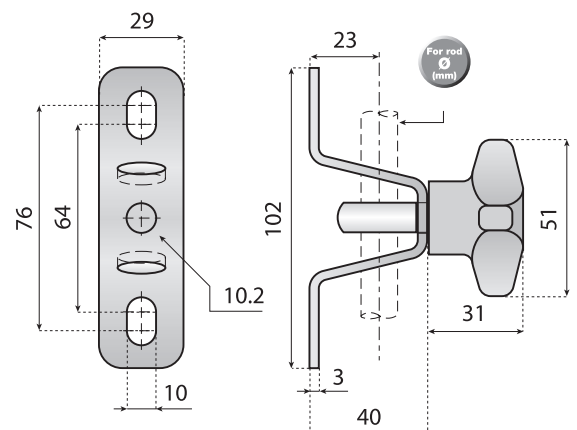
Code	Ref.	For rod Ø (mm)	
13S00105	VG-254MB-S-12	12-13	n°10



STAINLESS STEEL GUIDE RAIL BRACKETS

Material: body in stainless steel, eyebolt and washer in stainless steel, knob in reinforced polyamide with nickel plated brass insert.

Code	Ref.	For rod Ø (mm)	
13S00104	VG-254K-S-12	12-13	n°10



STAINLESS STEEL GUIDE RAIL BRACKETS

 Preferred type, readily available (codes marked in red)



Stainless steel



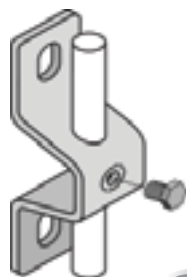
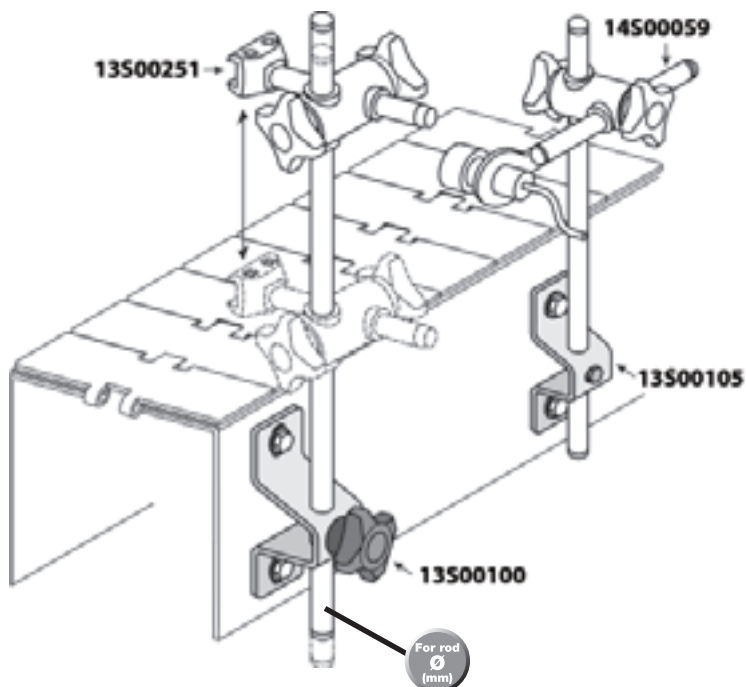
Reinforced polyamide



For use in high temperatures




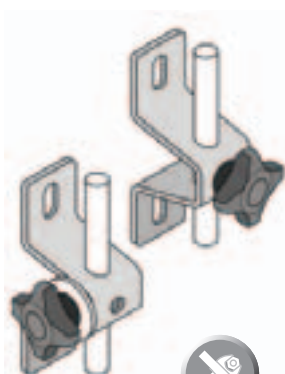
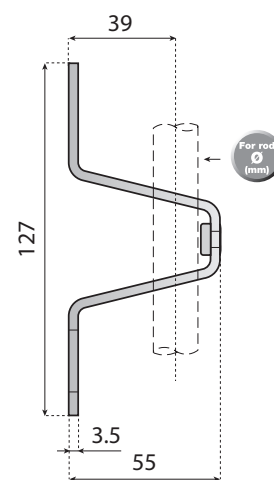
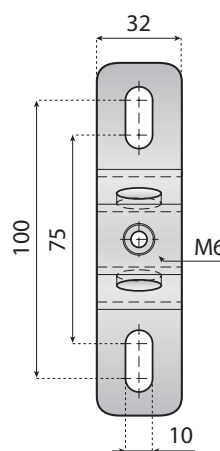
No tools required



STAINLESS STEEL GUIDE RAIL BRACKETS


Material: body in stainless steel, screw in stainless steel, insert in nickel plated brass.

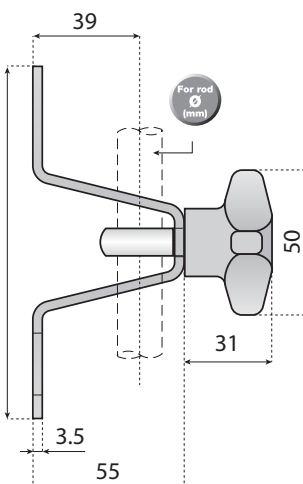
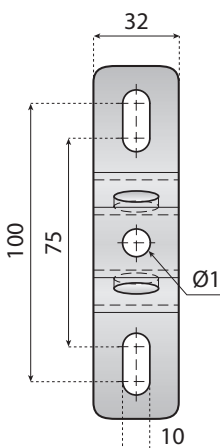
Code	Ref.	For rod Ø (mm)	
13S00102	VG-253MB-S-12	12-13	n°10
13S00103	VG-253MB-S-58	16	



STAINLESS STEEL GUIDE RAIL BRACKETS

Material: body in stainless steel, eyebolt and washer in stainless steel, knob in reinforced polyamide with nickel plated brass insert.

Code	Ref.	For rod Ø (mm)	
13S00100	VG-253K-S-12	12-13	n°10
13S00101	VG-253K-S-58	16	



POLYAMIDE BRACKET

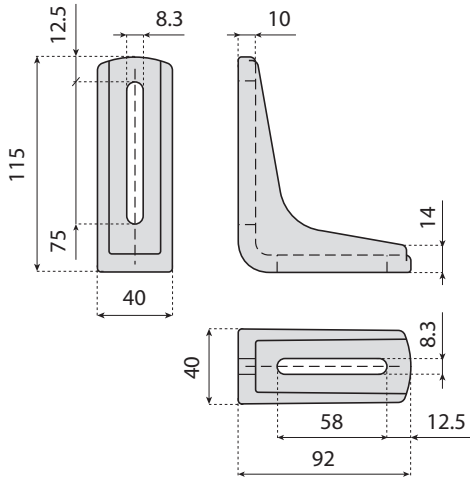
 Preferred type, readily available (codes marked in red)





Polyamide



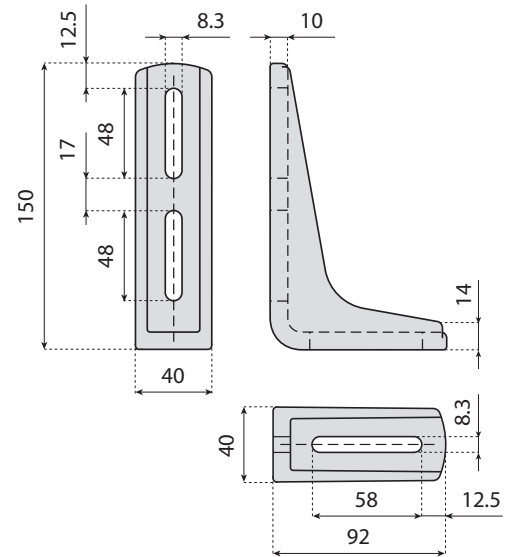
Accessories





SINGLE SLOT BRACKET

Code	Ref.		Material	
13S00200	VG-245-H-BK	n°10	PA	Black
13S00203	VG-245-H-GR			Grey

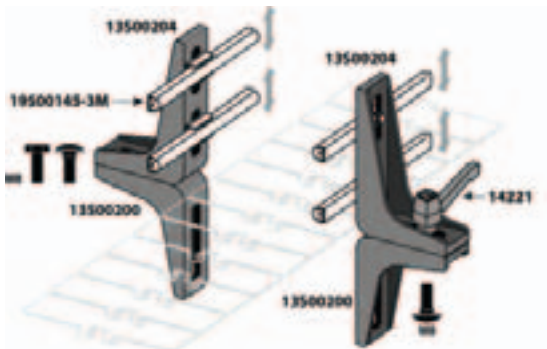
Hardware not included



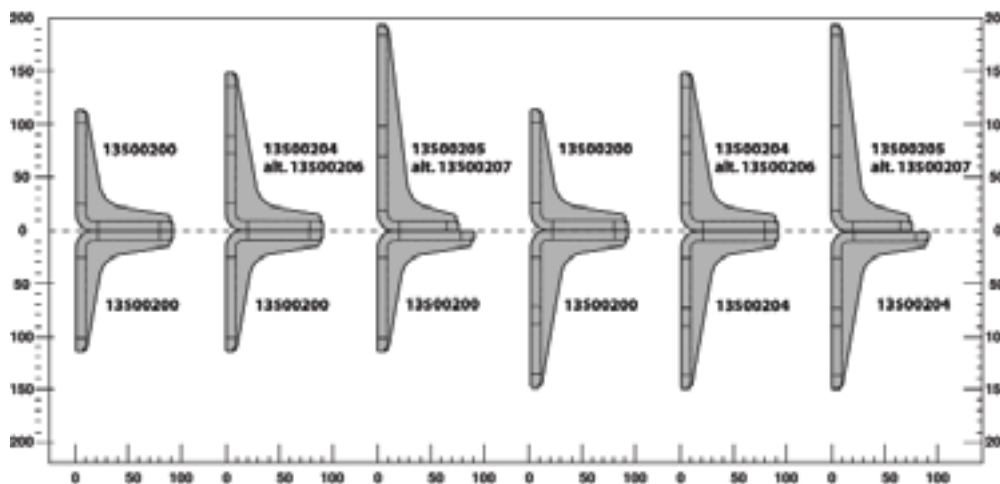
DOUBLE SLOT BRACKET

Code	Ref.		Material	
13S00204	VG-245-J-BK	n°10	PA	Black
13S00340	VG-245-J-GR			Grey

Hardware not included



Combinations



POLYAMIDE BRACKET

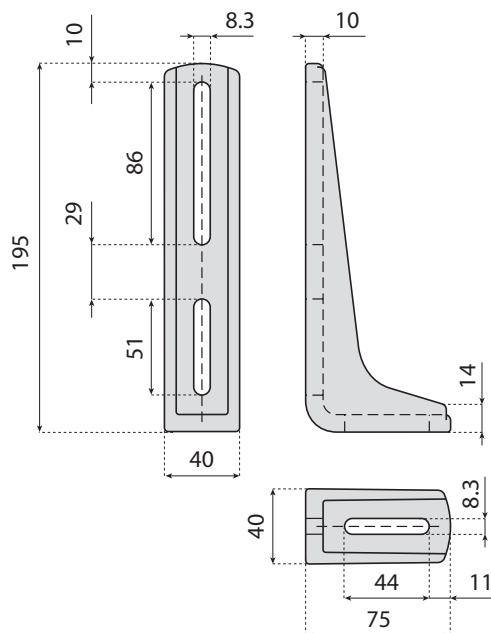
 Preferred type, readily available (codes marked in red)



Polyamide



Accessories

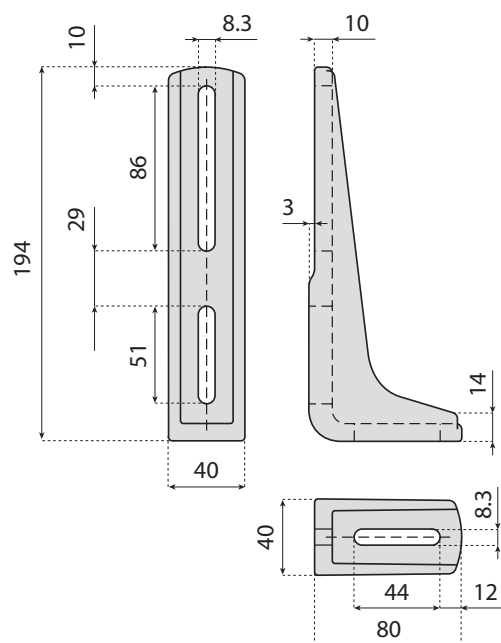
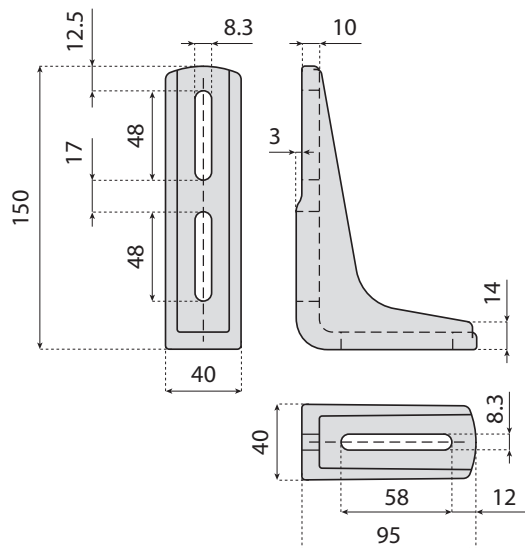


Top rail is intentionally set back to avoid container contact.

DOUBLE SLOT BRACKET

Code	Ref.		Material	
13S00205	VG-245-K-BK	n°10	PA	Black Grey
13S00341	VG-245-K-GR			

Hardware not included



DOUBLE SLOT BRACKET

Code	Ref.		Material	
13S00206	VG-245-L-BK	n°10	PA	Black Grey
13S00342	VG-245-L-GR			

Hardware not included

DOUBLE SLOT BRACKET

Code	Ref.		Material	
13S00207	VG-245-M-BK	n°10	PA	Black Grey
13S00343	VG-245-M-GR			

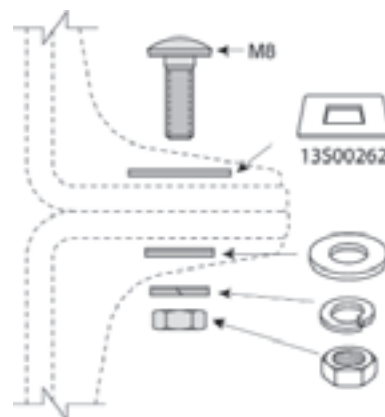
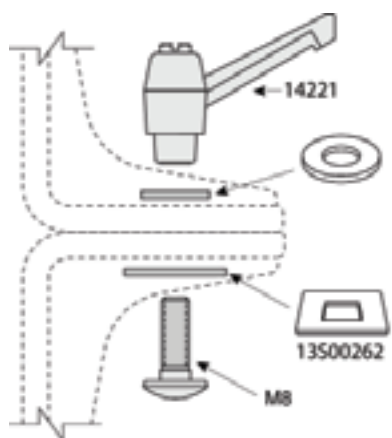
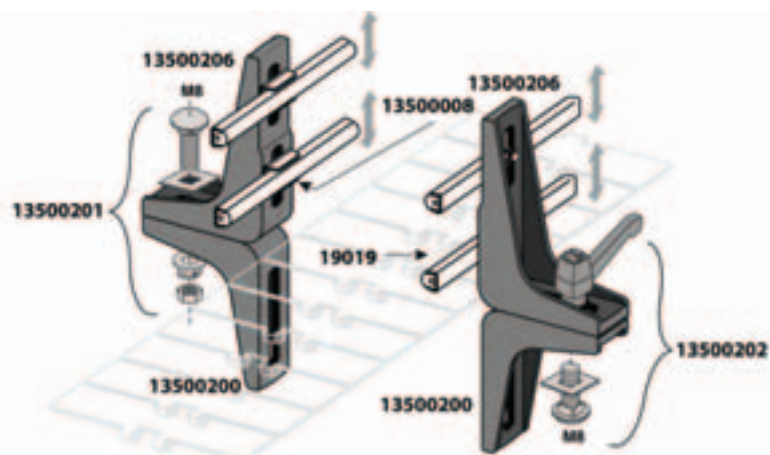
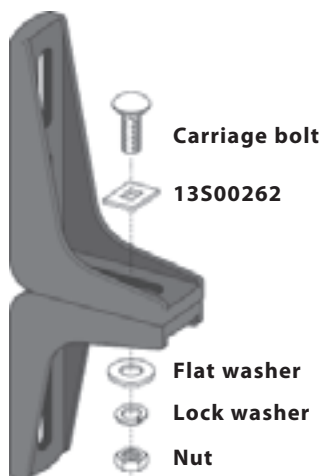
Hardware not included

POLYAMIDE BRACKET


 Preferred type, readily available (codes marked in red)




Stainless steel



HARDWARE ASSEMBLIES

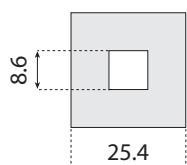
Code	Ref.		Material
13500202	VG-245-HDW-02-M8	n°10	SS

HARDWARE ASSEMBLIES

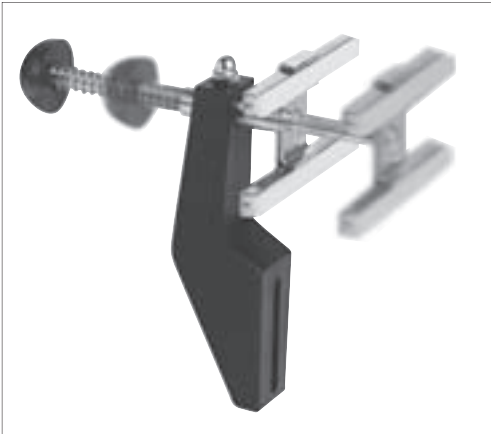
Code	Ref.		Material
13500201	VG-245-HDW-03-M8	n°10	SS

STAINLESS STEEL SQUARE WASHER

Stainless steel square washer (13500262) recommended for use with M8 carriage bolts.



Code	Ref.		Material
13500262	VG-245-WSH-S	n°10	SS



SPEEDSET™

Adjusts to 3 container sizes! SpeedSet™ brackets offer preset conveyor guide rail adjustability that is fast and accurate without the need for tools. A simple push on the end knob moves the pin, clamp and guide rail. Spacing blocks, cut to the length needed, accurately hold the pin and guide rail in position.



Saves time and money

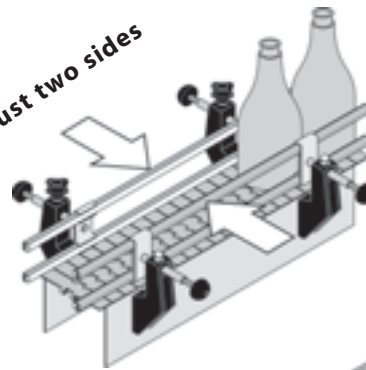


No tools required

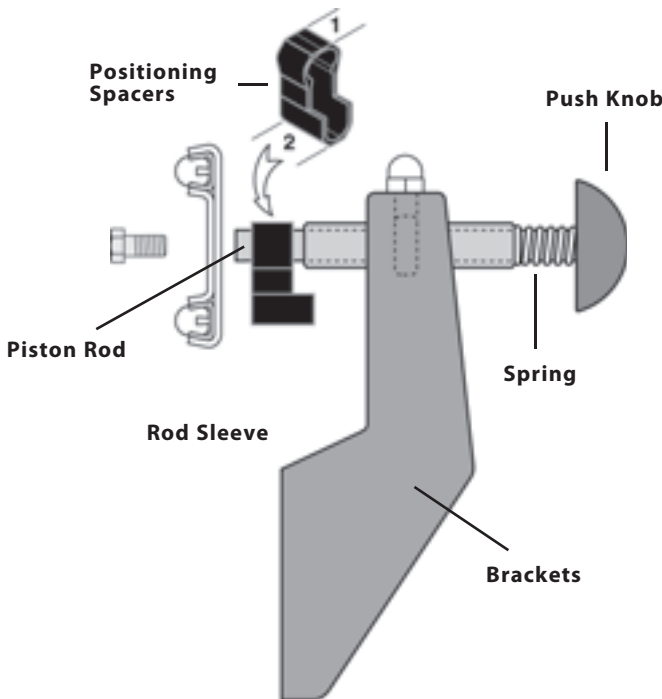
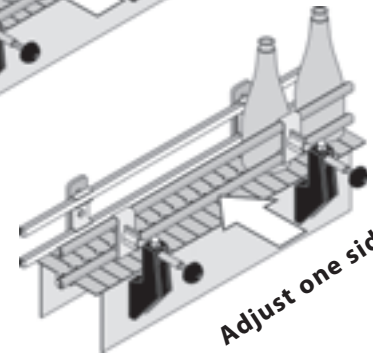


Par. # 5,819,911
 Par. # 5,967,295
 Par. # 6,135,271
 Par. # 6,533,110
 (USA)

Adjust two sides

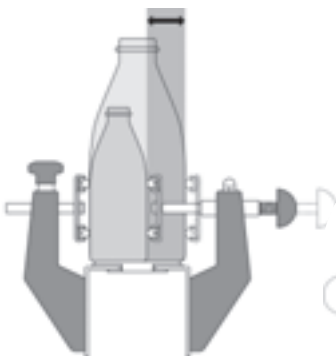


Adjust one sides



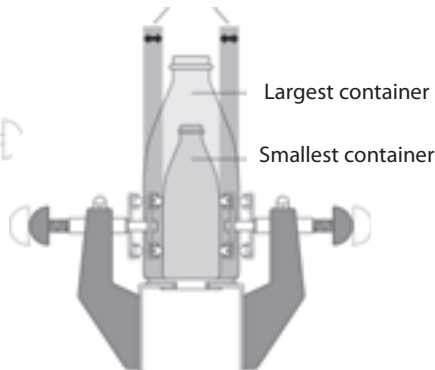
13S00260

Range of travel

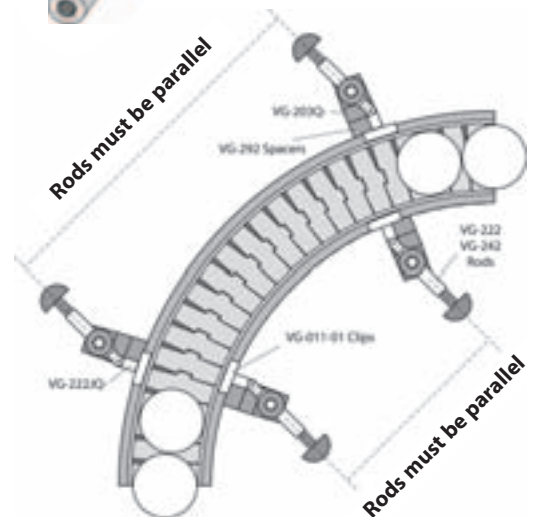


Single side adjusting

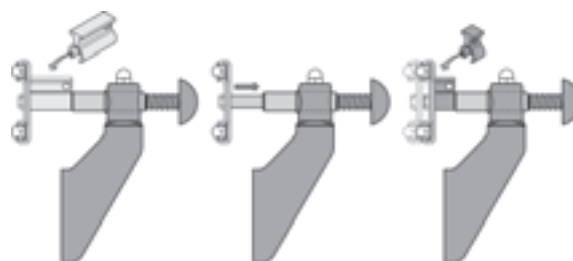
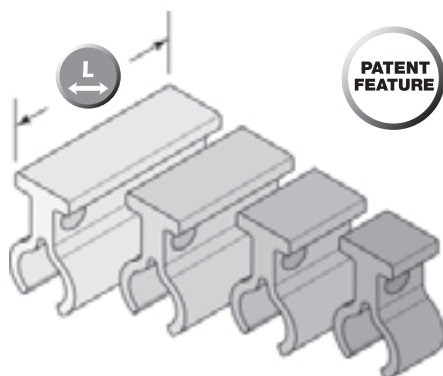
Range of travel






Double side adjusting



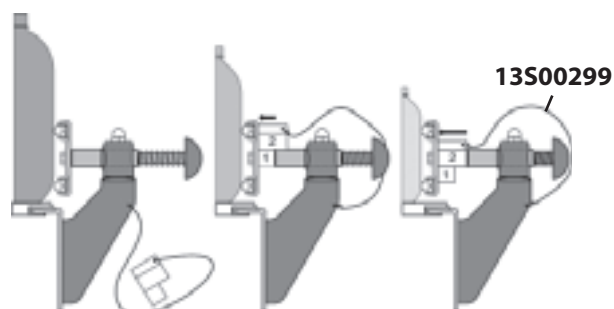
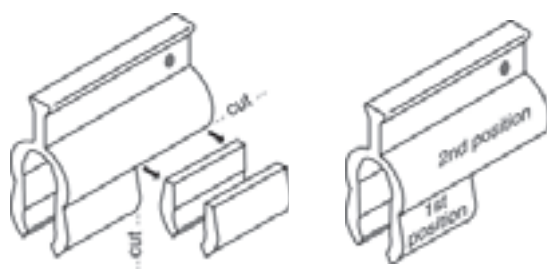
 Preferred type, readily available (codes marked in red)





Code	Ref.			
13S00292	VG-QSC-10M	10 mm	n°10	Red
13S00293	VG-QSC-12M	12 mm		Blue
13S00294	VG-QSC-16M	16 mm		Black
13S00295	VG-QSC-20M	20 mm		Green
13S00296	VG-QSC-25M	25 mm		Purple
13S00297	VG-QSC-30M	30 mm		Orange
13S00298	VG-QSC-40M	40 mm	Gray	

QSC - COLOR CLIP

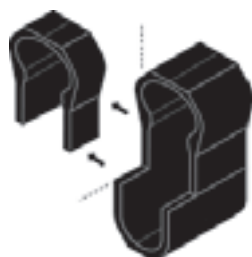
Can be connected to the bracket or the machine with the VG-QT tether.



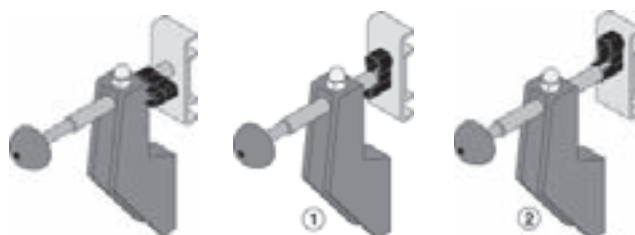
Code	Ref.		
13S00288	VG-QSB-25M	25 mm	n°10
13S00289	VG-QSB-40M	40 mm	n°10
13S00291	VG-QSB-65M	65 mm	n°10
13S00290	VG-QSB-450M	450 mm	n°1
13S00299	VG-QT-01	225 mm	n°10



QSB - CLIP-ON SPACER

Cut to length as needed. Can be connected to the bracket or the machine with the VG-QT tether. Also available in bars of 450 mm.



Par. # 6,533,110
(USA)



Code	Ref.		
13S00284	VG-QPC-25M	25 mm	n°10
13S00285	VG-QPC-40M	40 mm	n°10
13S00287	VG-QPC-65M	65 mm	n°10
13S00286	VG-QPC-450M	450 mm	n°1

QPC - COLLAR POSITIONING SPACER

Cut to length as needed. Hangs free on the pin when not in use. Available in 450mm lengths.

 Preferred type, readily available (codes marked in red)



Saves time and money



No tools required

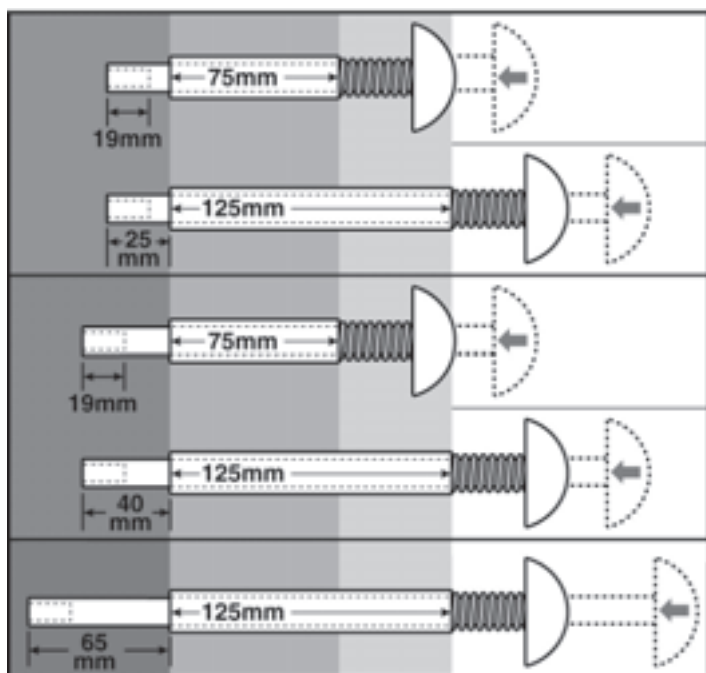


PATENT FEATURE



Size hex head bolt

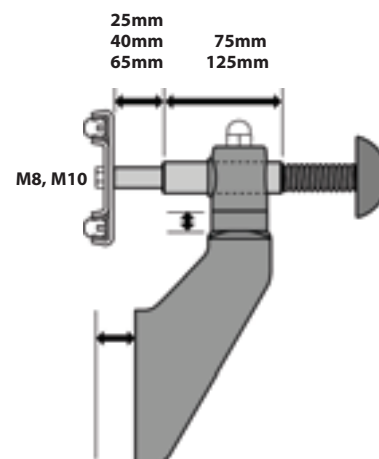
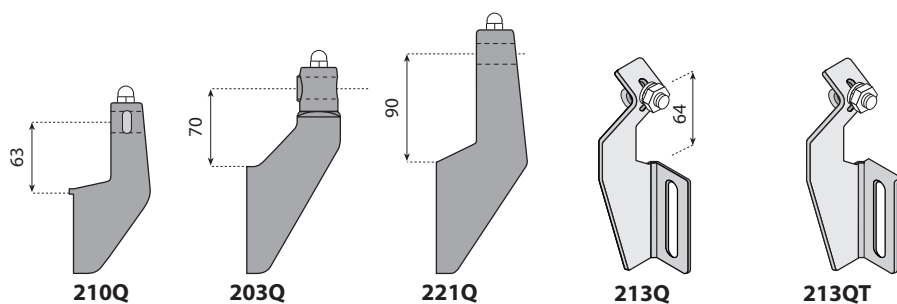
SPEEDSET™ CARTRIDGES
Adjustment range (travel)



Travel	Code	Ref.	
--------	------	------	---

0 - 25 mm	13S00275	VG-Q-03-10-M8	M8
	13S00274	VG-Q-03-10-M10	M10
0 - 25 mm	13S00279	VG-Q-05-10-M8	M8
	13S00278	VG-Q-05-10-M10	M10
0 - 40 mm	13S00277	VG-Q-03-15-M8	M8
	13S00276	VG-Q-03-15-M10	M10
0 - 40 mm	13S00281	VG-Q-05-15-M8	M8
	13S00280	VG-Q-05-15-M10	M10
0 - 65 mm	13S00283	VG-Q-05-25-M8	M8
	13S00282	VG-Q-05-25-M10	M10

SPEEDSET OPTIONS





Accessories



Stainless steel

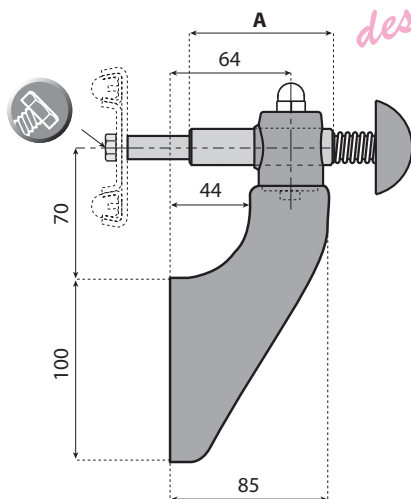


Polyamide



Size
hex head bolt

New design

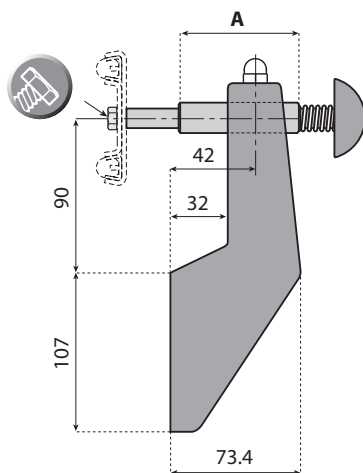


SWIVEL TOP POLYAMIDE SPEEDSET BRACKETS

Material: Push knob and brackets in polyamide; spring in stainless steel.

Travel	Code	Ref.	A		
0 - 25 mm	13S00300	VG-203Q-03-10-M8	75	M8	n°4
	13S00263	VG-203Q-03-10-M10	75	M10	
	13S00302	VG-203Q-05-10-M8	125	M8	
	13S00301	VG-203Q-05-10-M10	125	M10	
0 - 40 mm	13S00264	VG-203Q-03-15-M8	75	M8	n°4
	13S00303	VG-203Q-03-15-M10	75	M10	
	13S00304	VG-203Q-05-15-M8	125	M8	
	13S00265	VG-203Q-05-15-M10	125	M10	
0 - 65 mm	13S00267	VG-203Q-05-25-M8	125	M8	n°4
	13S00266	VG-203Q-05-25-M10	125	M10	

* Collar Positioning Spacer Included with each SpeedSet Bracket !

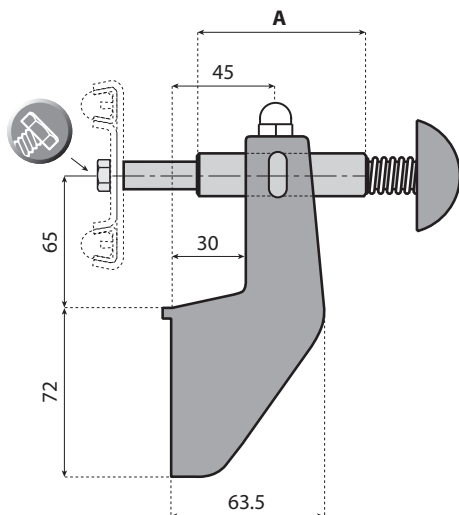


POLYAMIDE SPEEDSET BRACKETS

Material: Push knob and brackets in polyamide; spring in stainless steel.

Travel	Code	Ref.	A		
0 - 25 mm	13S00271	VG-221Q-03-10-M8	75	M8	n°4
	13S00270	VG-221Q-03-10-M10	75	M10	
	13S00335	VG-221Q-05-10-M8	125	M8	
	13S00334	VG-221Q-05-10-M10	125	M10	
0 - 40 mm	13S00337	VG-221Q-03-15-M8	75	M8	n°4
	13S00336	VG-221Q-03-15-M10	75	M10	
	13S00339	VG-221Q-05-15-M8	125	M8	
	13S00338	VG-221Q-05-15-M10	125	M10	
0 - 65 mm	13S00273	VG-221Q-05-25-M8	125	M8	n°4
	13S00272	VG-221Q-05-25-M10	125	M10	

* Collar Positioning Spacer Included with each SpeedSet Bracket !



POLYAMIDE SPEEDSET BRACKETS

Material: Push knob and brackets in polyamide; spring in stainless steel.

Travel	Code	Ref.	A		
0 - 25 mm	13S00325	VG-210Q-03-10-M8	75	M8	n°4
	13S00324	VG-210Q-03-10-M10	75	M10	
	13S00327	VG-210Q-05-10-M8	125	M8	
	13S00326	VG-210Q-05-10-M10	125	M10	
0 - 40 mm	13S00329	VG-210Q-03-15-M8	75	M8	n°4
	13S00328	VG-210Q-03-15-M10	75	M10	
	13S00331	VG-210Q-05-15-M8	125	M8	
	13S00330	VG-210Q-05-15-M10	125	M10	
0 - 65 mm	13S00333	VG-210Q-05-25-M8	125	M8	n°4
	13S00332	VG-210Q-05-25-M10	125	M10	

* Collar Positioning Spacer Included with each SpeedSet Bracket !



Accessories



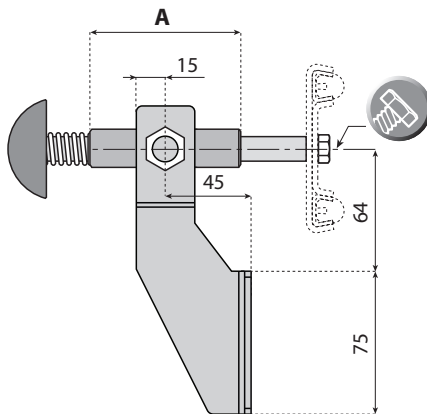
Stainless steel



Polyamide



Size
hex head bolt

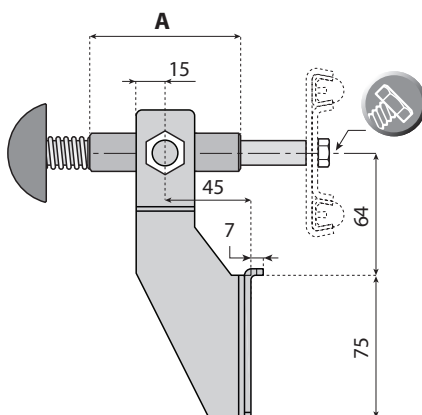


STAINLESS STEEL SPEEDSET BRACKETS

Material: Brackets and spring in stainless steel; push in polyamide.

Travel	Code	Ref.	A		
0 - 25 mm	13S00269	VG-213Q-03-10-M8	75	M8	n°4
	13S00305	VG-213Q-03-10-M10	75	M10	
	13S00307	VG-213Q-05-10-M8	125	M8	
	13S00306	VG-213Q-05-10-M10	125	M10	
0 - 40 mm	13S00309	VG-213Q-03-15-M8	75	M8	n°4
	13S00308	VG-213Q-03-15-M10	75	M10	
	13S00311	VG-213Q-05-15-M8	125	M8	
	13S00310	VG-213Q-05-15-M10	125	M10	
0 - 65 mm	13S00313	VG-213Q-05-25-M8	125	M8	n°4
	13S00312	VG-213Q-05-25-M10	125	M10	

* Collar Positioning Spacer Included with each SpeedSet Bracket!



STAINLESS STEEL SPEEDSET BRACKETS

Material: Brackets and spring in stainless steel; push knob in polyamide.

Travel	Code	Ref.	A		
0 - 25 mm	13S00315	VG-213TQ-03-10-M8	75	M8	n°4
	13S00314	VG-213TQ-03-10-M10	75	M10	
	13S00317	VG-213TQ-05-10-M8	125	M8	
	13S00316	VG-213TQ-05-10-M10	125	M10	
0 - 40 mm	13S00319	VG-213TQ-03-15-M8	75	M8	n°4
	13S00318	VG-213TQ-03-15-M10	75	M10	
	13S00321	VG-213TQ-05-15-M8	125	M8	
	13S00320	VG-213TQ-05-15-M10	125	M10	
0 - 65 mm	13S00323	VG-213TQ-05-25-M8	125	M8	n°4
	13S00322	VG-213TQ-05-25-M10	125	M10	

* Collar Positioning Spacer Included with each SpeedSet Bracket!

ROD MOUNTS WITH TABS

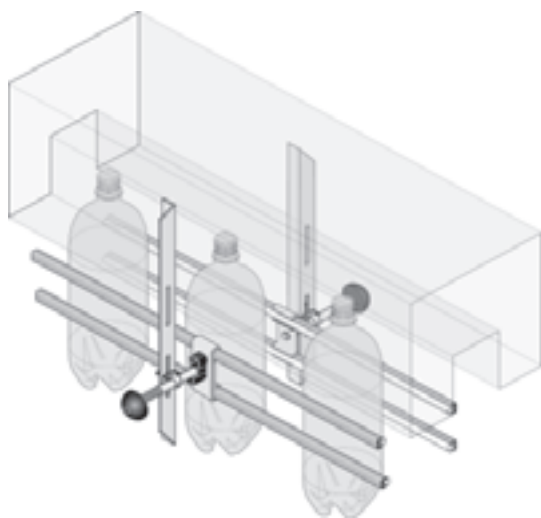
 Preferred type, readily available (codes marked in red)



Stainless steel



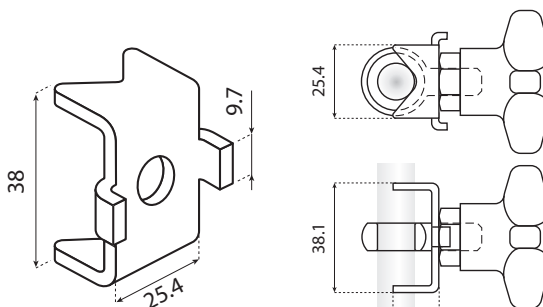
Polyamide



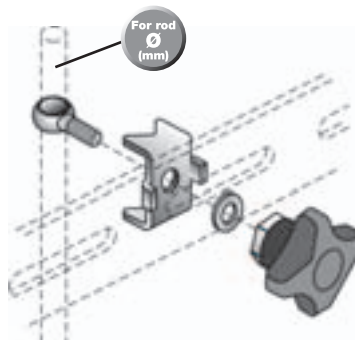
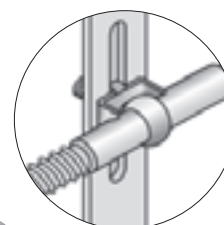
VALU GUIDE ROD MOUNTS

New Valu Guide Rod Mounts, used for holding and positioning adjusting rods. These strong, yet economical mounts are available in a selection of rod diameter sizes, fixed or rotating configurations, and various tightening methods.

Positioning tabs lock the rod to brackets slots at 90°.




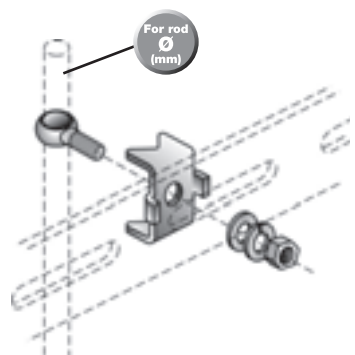
16mm (12-13mm rod)
17.5mm (14mm rod)
19mm (16mm rod)
22mm (20mm rod)



ROD MOUNTS WITH TABS


Material: rod mounts in stainless steel, eyebolt and washer in stainless steel, knob in polyamide with nickel plated brass insert.

Code	Ref.	For rod Ø (mm)	
13S00162	VG-641T-K-12	12-13	
13S00163	VG-641T-K-14	14	n°8
13S00165	VG-641T-K-58	16	
13S00164	VG-641T-K-20	20	

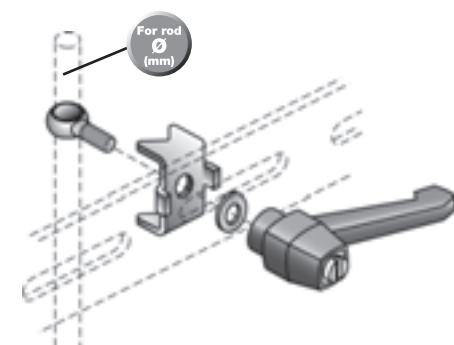


ROD MOUNTS WITH TABS

Material: all components are in stainless steel.


Code	Ref.	For rod Ø (mm)	
13S00166	VG-641T-N-12	12-13	
13S00167	VG-641T-N-14	14	n°8
13S00169	VG-641T-N-58	16	
13S00168	VG-641T-N-20	20*	

* Ø20 version can be converted to SpeedSet brackets.



ROD MOUNTS WITH TABS

Material: rod mounts, eyebolt and washer in stainless steel, knob in polyamide with nickel plated brass insert.

Code	Ref.	For rod Ø (mm)	
13S00170	VG-641T-R-12	12-13	
13S00171	VG-641T-R-14	14	n°8
13S00173	VG-641T-R-58	16	
13S00172	VG-641T-R-20	20	

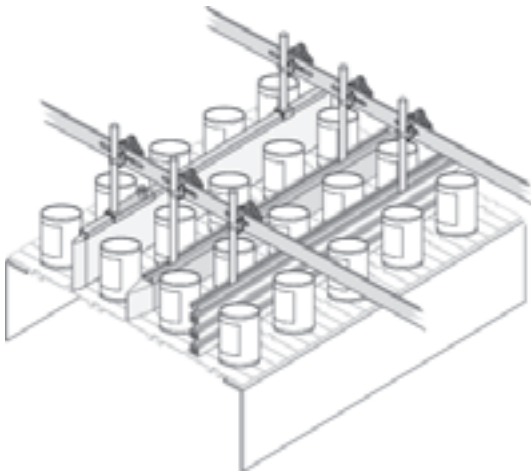
 Preferred type, readily available (codes marked in red)



Stainless steel



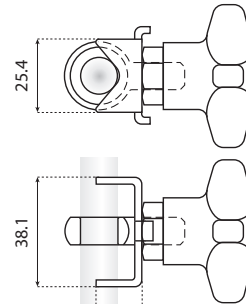
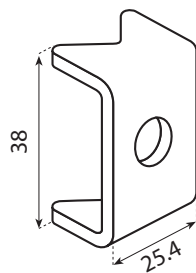
Polyamide



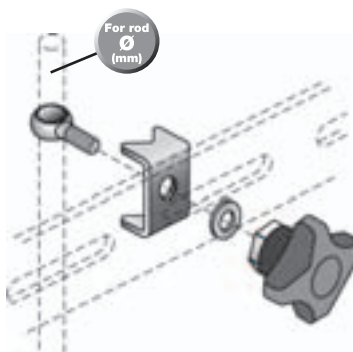
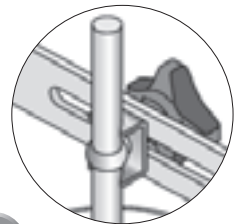
VALU GUIDE ROD MOUNTS

New Valu Guide Rod Mounts, used for holding and positioning adjusting rods. These strong, yet economical mounts are available in a selection of rod diameter sizes, fixed or rotating configurations, and various tightening methods.

Rod can be rotated to any angle desired.




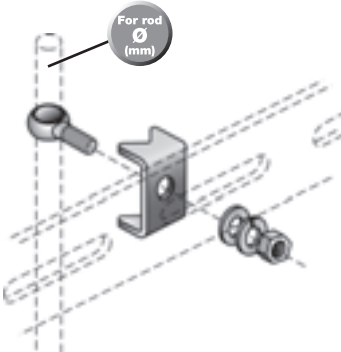
16mm (12-13mm rod)
17.5mm (14mm rod)
19mm (16mm rod)
22mm (20mm rod)



ROD MOUNTS WITH TABS


Material: rod mounts eyebolt and washer are in stainless steel, knob in polyamide with nickel plated brass insert.

Code	Ref.	For rod Ø (mm)	
13S00150	VG-641-K-12	12-13	n°8
13S00151	VG-641-K-14	14	
13S00153	VG-641-K-58	16	
13S00152	VG-641-K-20	20	

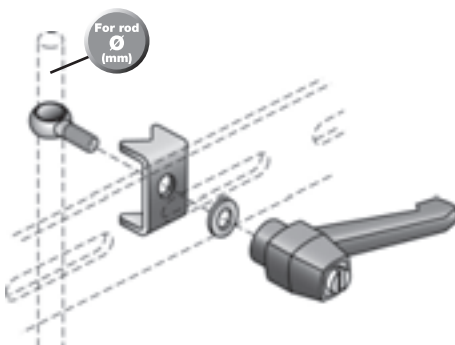


ROD MOUNTS WITH TABS

Material: all components are in stainless steel.


Code	Ref.	For rod Ø (mm)	
13S00154	VG-641-N-12	12-13	n°8
13S00155	VG-641-N-14	14	
13S00157	VG-641-N-58	16	
13S00156	VG-641-N-20	20*	

* Ø20 version can be converted to SpeedSet brackets.



ROD MOUNTS WITH TABS

Material: rod mounts, eyebolt and washer in stainless steel, knob in polyamide with nickel plated brass insert.

Code	Ref.	For rod Ø (mm)	
13S00158	VG-641-R-12	12-13	n°8
13S00159	VG-641-R-14	14	
13S00161	VG-641-R-58	16	
13S00160	VG-641-R-20	20	

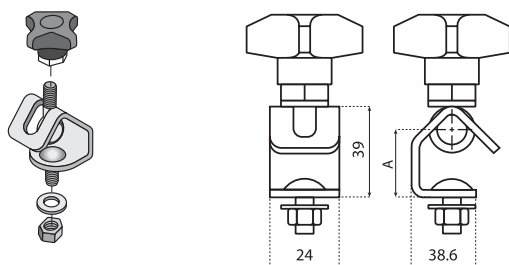
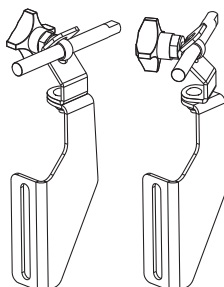
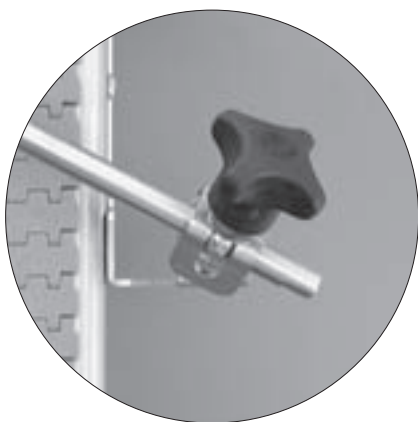
STAINLESS STEEL SWIVEL CAPS

 Preferred type, readily available (codes marked in red)

SS 304
AISI 304
Stainless steel


PA
Polyamide


Heavy duty



ROTATING TOP FOR STAINLESS STEEL BRACKET


Material: body in stainless steel, eyebolt and washer in stainless steel, knob in polyamide with nickel plated brass insert.

Code	Ref.	A	For rod Ø (mm)	
13S00017	VG-213R-TOP-12	29	12-13	n°8
13S00018	VG-213R-TOP-14	27.5	14	
13S00019	VG-213R-TOP-58	26	16	
13S00074	VG-213R-TOP-20	24	20*	

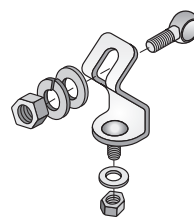
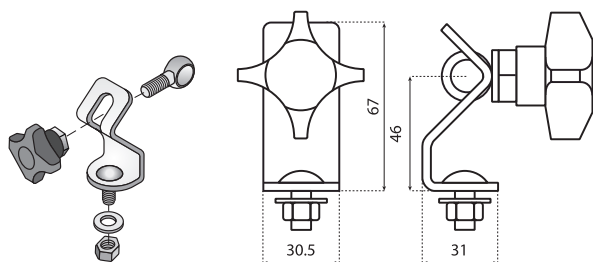
* Ø20 versions can be converted to SpeedSet brackets.

ROTATING TOP WITH NUT FASTENER FOR STAINLESS STEEL BRACKETS

Material: body and hardware in stainless steel.


Code	Ref.	A	For rod Ø (mm)	
13S00014	VG-213RN-TOP-12	29	12-13	n°8
13S00073	VG-213RN-TOP-14	27.5	14	
13S00016	VG-213RN-TOP-58	26	16	
13S00015	VG-213RN-TOP-20	24	20*	

* Ø20 versions can be converted to SpeedSet brackets.



ROTATING TOP FOR HEAVY DUTY STAINLESS STEEL BRACKET


Material: body in stainless steel, eyebolt and washer in stainless steel, knob in polyamide with nickel plated brass insert.
Characteristics: Heavy duty

Code	Ref.	For rod Ø (mm)	
13S00069	VG-223R-TOP-12	12-13	n°8
13S00070	VG-223R-TOP-14	14	
13S00072	VG-223R-TOP-58	16	
13S00071	VG-223R-TOP-20	20*	

* Ø20 versions can be converted to SpeedSet brackets.

ROTATING TOP WITH NUT FASTENER FOR HEAVY DUTY STAINLESS STEEL BRACKET

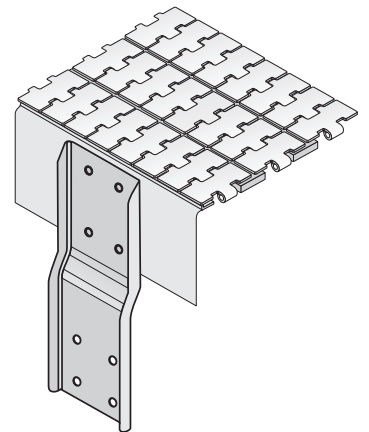
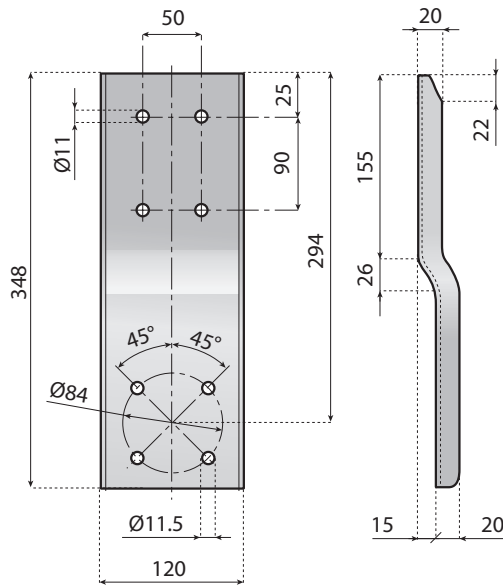
Material: body and hardware in stainless steel.
Characteristics: Heavy duty

Code	Ref.	For rod Ø (mm)	
13S00065	VG-223RN-TOP-12	12-13	n°8
13S00066	VG-223RN-TOP-14	14	
13S00068	VG-223RN-TOP-58	16	
13S00067	VG-223RN-TOP-20	20*	

* Ø20 versions can be converted to SpeedSet brackets.

 Preferred type, readily available (codes marked in red)

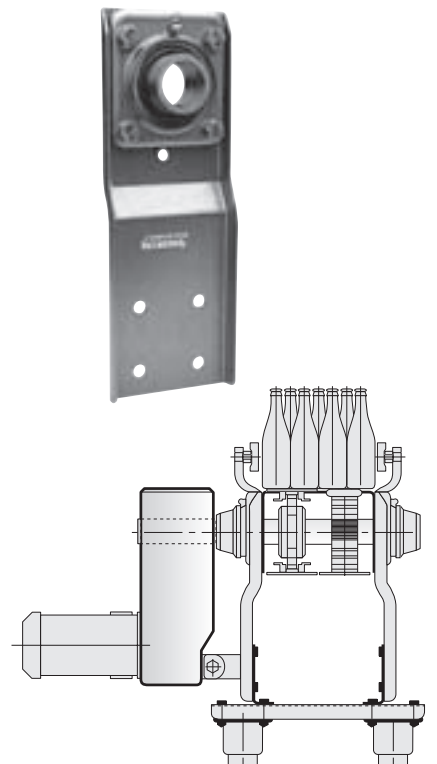
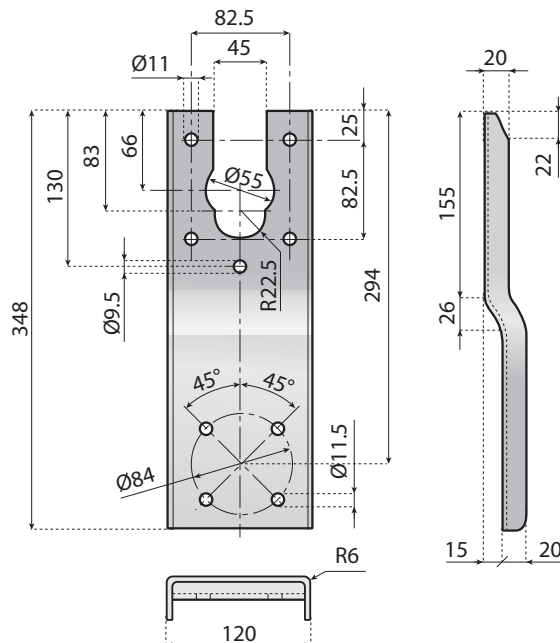
SS 304
AISI 304
Stainless steel



SIDE MOUNTING BRACKET

Thickness: $S = 3$ mm.
Surface: tumbling finish.
Use: connects and supports conveyor frames.

Code	Kg/m	n°10	Material
13812	-	n°10	SS AISI 304



SIDE MOUNTING BRACKET

Thickness: $S = 3$ mm.
Surface: tumbling finish.
Use: location of stainless steel bearing support on conveyor frames.

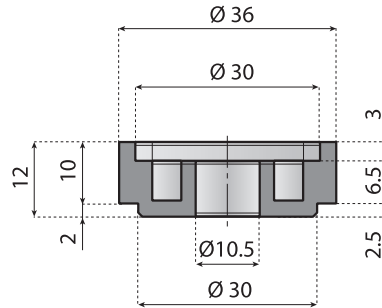
Code	Kg/m	n°10	Material
13813	-	n°10	SS AISI 304

ADJUSTABLE HEADS AND SPACER

 Preferred type, readily available (codes marked in red)



Reinforced polyamide



SPACER FOR ADJUSTABLE HEADS

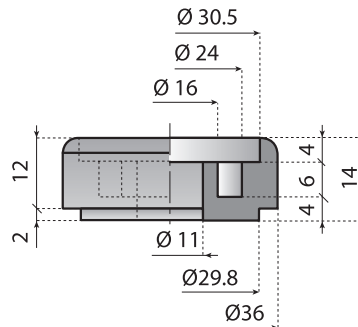
Code

13752



Material

PA-FG



SPACER FOR ADJUSTABLE HEADS

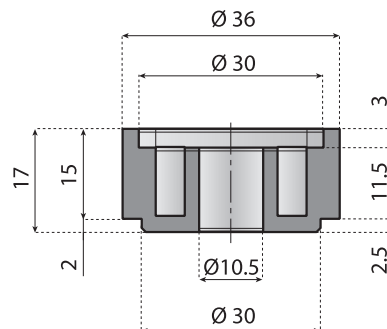
Code

13753



Material

PA-FG



SPACER FOR ADJUSTABLE HEADS

Code

13758



Material

PA-FG

 Preferred type, readily available (codes marked in red)

IMPROVED DESIGN



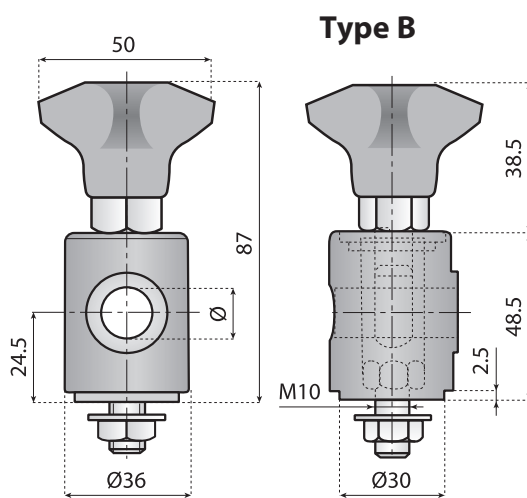
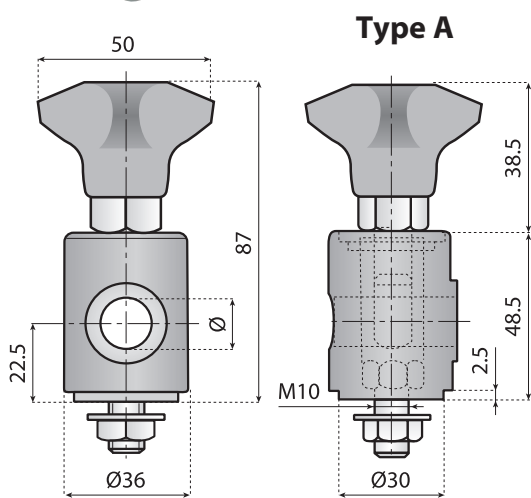
AISI 304
Stainless steel



Polyamide



Accessories

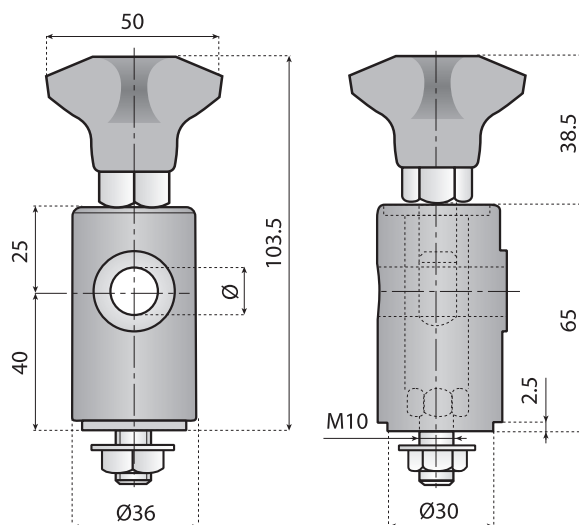


ADJUSTABLE HEAD WITH KNOB

Material: reinforced polyamide, eyebolt, screw, washer in stainless steel AISI 304, nut and hexagonal bushing in nickel plated brass.

Code

Head with knob	Head without knob	Type	For rod Ø (mm)	
13037V	13037	A	12	n°50
13038V	13038	A	14	
13039V	13039	A	16	
13999V	13999	B	19	
13988V	13988	B	20	



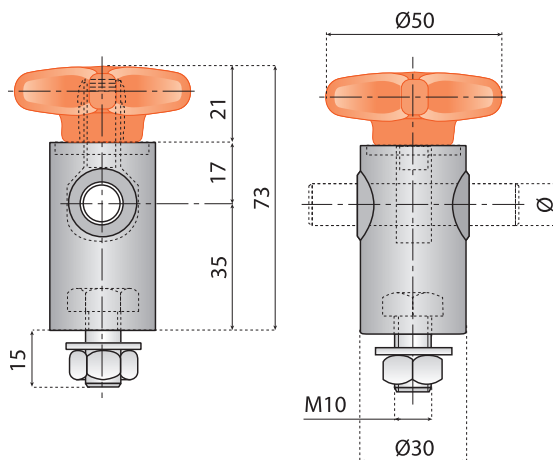
Code

Head with knob	Head without knob	For rod Ø (mm)	
13781V	13781	12	n°50
13782V	13782	14	
13783V	13783	16	

ADJUSTABLE HEAD WITH KNOB NEW TALLER VERSION

Material: reinforced polyamide, eyebolt, screw, nut and washer in stainless steel AISI 304, hexagonal bushing in nickel plated brass.

ADJUSTABLE HEADS



AISI 304
Stainless steel



Nickel plated brass



Polyamide



Accessories

QUICK POSITIONING ADJUSTABLE HEADS

Material: housing in reinforced polyamide;
bolts and hardware in stainless steel;
knobs in reinforced polyamide with
brass bushing.

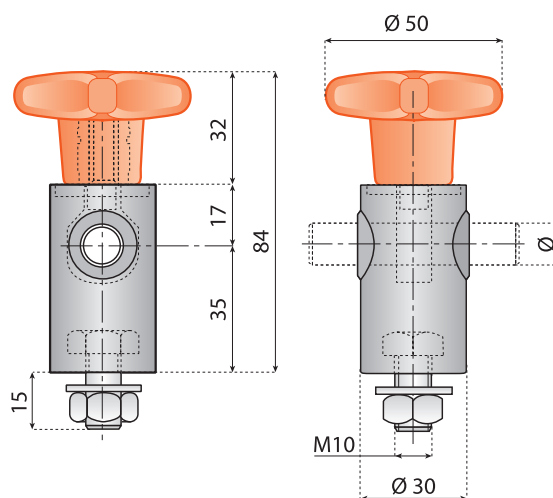
Code

13296V
13297V



12
14

n°50



QUICK POSITIONING ADJUSTABLE HEADS

Material: housing in reinforced polyamide;
bolts and hardware in stainless steel;
knobs in reinforced polyamide with
brass bushing.

Code

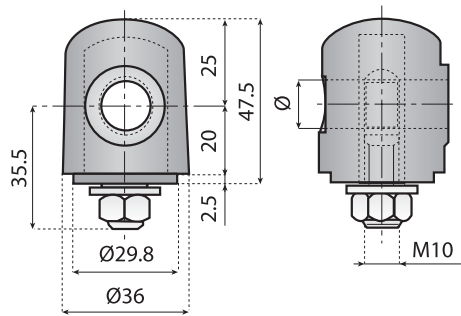
13296VA
13297VA



12
14

n°50

 Preferred type, readily available (codes marked in red)



AISI 304
Stainless steel



Nickel plated brass



Polyamide

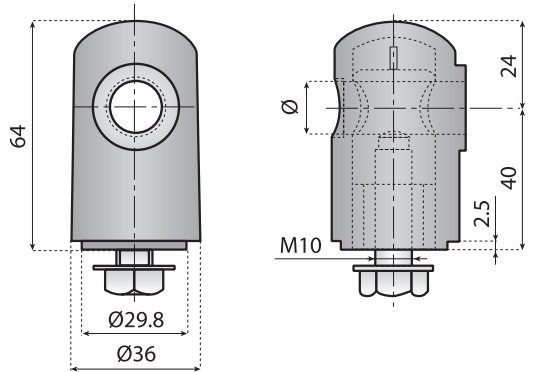


Accessories

ADJUSTABLE HEAD

Material: reinforced polyamide; eyebolt, nut and washer in stainless steel AISI 304.

Code	For rod Ø (mm)	
13028	12	
13029	14	n°50
13030	16	



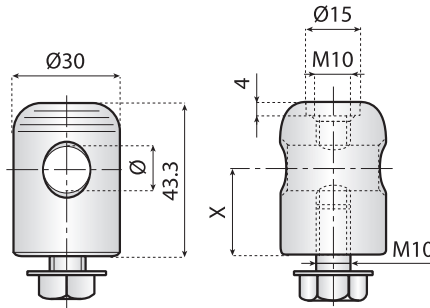
ADJUSTABLE HEAD

Material: head in reinforced polyamide, Insert in nickel plated brass, screw and washer in stainless steel AISI 304.

Code	For rod Ø (mm)	
13017	12	
13018	14	n°50
13016	16	

ADJUSTABLE HEADS

 Preferred type, readily available (codes marked in red)



AISI 304
Stainless steel



Nickel plated brass




Polyamide

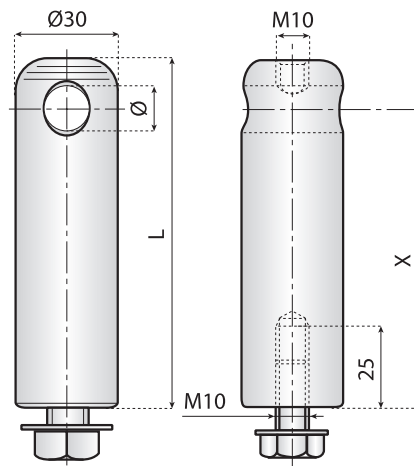



Accessories

ADJUSTABLE HEAD

Material: screws and washer in stainless steel AISI 304; head as in the table.

Code	Head material	X	For rod Ø (mm)	
13031	Nickel	24.5	12	
13032	plated brass	23.5	14	n°50
13033		22.5	16	
13034	Stainless steel	24.5	12	
13035	AISI 304	23.5	14	n°50
13036		22.5	16	

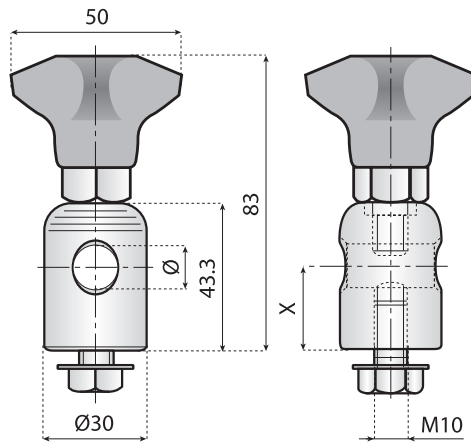


Code	L	X	For rod Ø (mm)	
13121	55	40		
13124	75	60	12	n°50
13127	105	90		
13130	145	130		
13122	56	40		
13125	76	60	14	n°50
13128	106	90		
13131	146	130		
13123	57	40		
13126	77	60	16	n°50
13129	107	90		
13132	147	130		

ADJUSTABLE HEAD

Material: screws and heads in stainless steel AISI 304.

 Preferred type, readily available (codes marked in red)



AISI 304
Stainless steel



Nickel plated brass



Polyamide

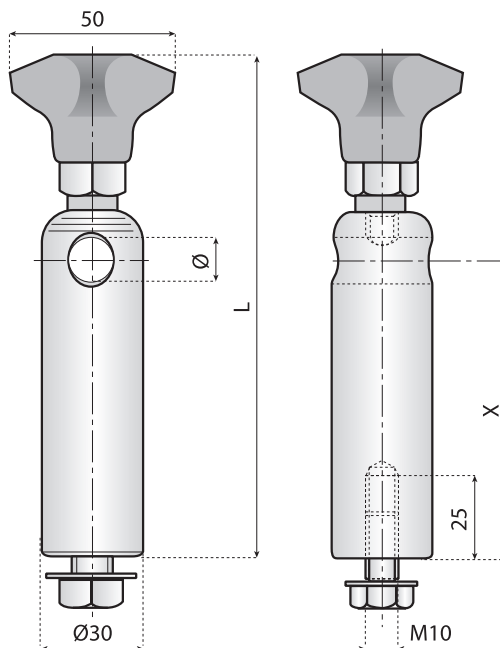


Accessories

ADJUSTABLE HEAD WITH KNOB

Material: screws and washer in stainless steel AISI 304, head as in the table, knob in polyamide with hexagonal bushing in nickel plated brass.

Code	Head material	X	For rod Ø (mm)	
13031V	Nickel	24.5	12	
13032V	plated brass	23.5	14	n°50
13033V		22.5	16	
13034V	Stainless steel	24.5	12	
13035V	AISI 304	23.5	14	n°50
13036V		22.5	16	



Code	L	X	For rod Ø (mm)	
13121V	100	40		
13124V	120	60	12	n°50
13127V	150	90		
13130V	190	130		
13122V	101	40		
13125V	121	60	14	n°50
13128V	151	90		
13131V	191	130		
13123V	192	40		
13126V	122	60	16	n°50
13129V	152	90		
13132V	192	130		

ADJUSTABLE HEAD WITH KNOB

Material: screws and washer in stainless steel AISI 304, knob in polyamide with hexagonal bushing in nickel plated brass.

QUICK RELEASE ADJUSTABLE HEADS

 Preferred type, readily available (codes marked in red)

QUICK RELEASE ADJUSTABLE HEADS

For fast line changes the new head from System Plast provides simplicity and easy in achieving the accuracy needed in adjusting multiple stations simultaneously.

- This new patented part is perfect for applications where accurate and / or frequent adjustments are required.
- Fits 12-14 mm diameter adjusting rods.
- Corrosion resistance composite components.
- Ergonomic spring loaded design.

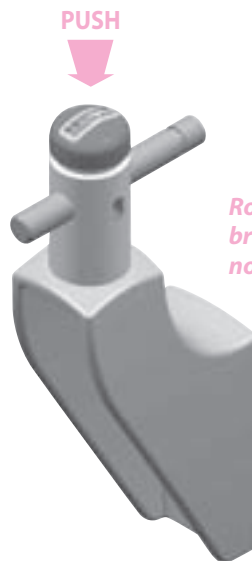
Components:

- External Housing (polyamide)
- Internal Housing (see the table)
- Closing Cap (polyamide)
- Spring (steel)
- Screw and washer (stainless steel AISI 304)
- Nut (nickel plated brass)

Advantages:

- Rapid adjustment of guides to accommodate the choice of bottle format.
- Quick and easy maintenance.

Supply: assembled.



AISI 304
Stainless steel



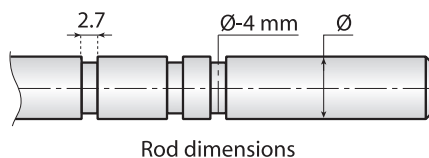
Nickel plated brass




Polyamide

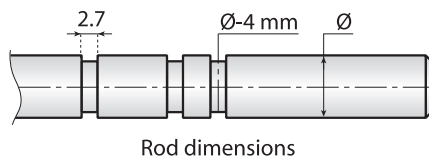
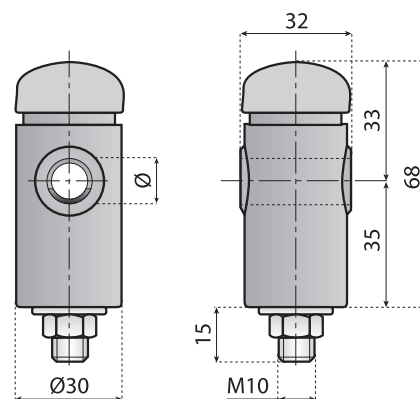


Accessories




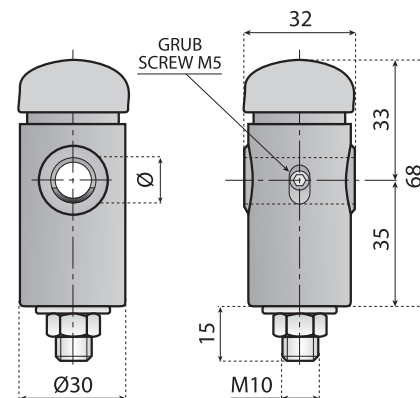
Rod dimensions

Code	Internal block	For rod Ø (mm)	
13300	Reinforced polyamide	12	n°50
13301	Nickel plated brass	14	n°50
13302	Reinforced polyamide	12	n°50
13303	Nickel plated brass	14	n°50



Rod dimensions

Code	Internal block	For rod Ø (mm)	
13302FP	Reinforced polyamide	12	n°50
13303FP	Nickel plated brass	14	n°50



For a correct use of these products and to get the best performance, please call our engineering experts.

DUAL ACTION ADJUSTABLE HEADS

 Preferred type, readily available (codes marked in red)



AISI 304
Stainless steel



Nickel plated brass



Polyamide



Accessories

DUAL ACTION ADJUSTABLE HEAD

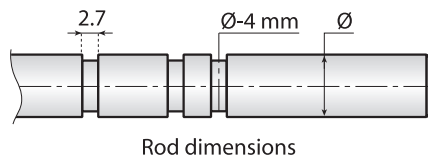
For fast line changes the new Dual Action Head from System Plast provides simplicity and easy in achieving the accuracy needed in adjusting multiple stations simultaneously. By simply rotating the quick release cap, the Dual Action Head is placed in a neutral, non clamping, position. The side guides and other rails can then be moved to the desired location before returning the quick release cap to its locked position.

- This new patented part is perfect for applications where accurate and / or frequent adjustments are required.
- Fits 12-14 mm diameter adjusting rods.
- Corrosion resistance composite components.
- Ergonomic spring loaded design.


Components:

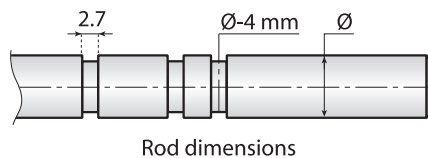
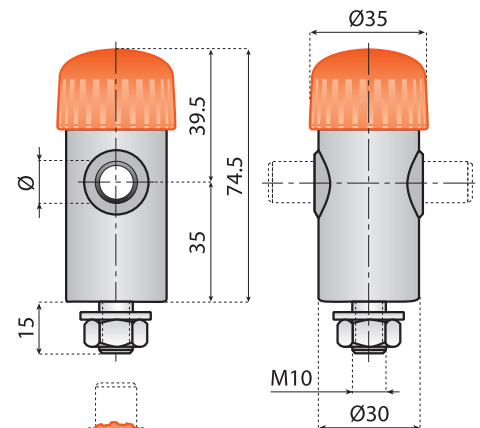
- External Housing (polyamide)
- Internal Housing (see the table)
- Closing Cap (polyamide)
- Spring (steel)
- Screw and washer (stainless steel AISI 304)
- Nut (nickel plated brass)

Supply: assembled.




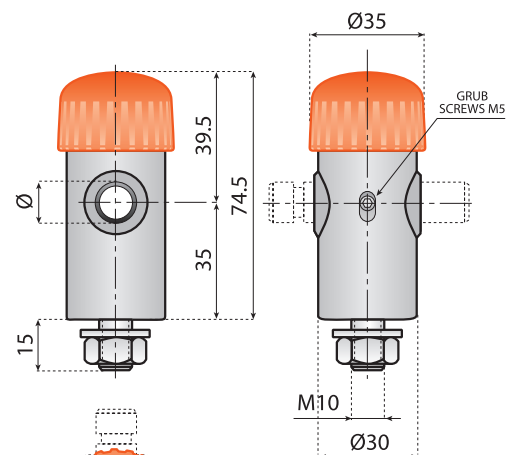
Rod dimensions

Code	Internal block	For rod Ø (mm)	
13296	Reinforced polyamide	12	n°50
13297	Nickel plated brass	14	n°50
13298	Reinforced polyamide	12	n°50
13299	Nickel plated brass	14	n°50



Rod dimensions

Code	Internal block	For rod Ø (mm)	
13298FP	Reinforced polyamide	12	n°50
13299FP	Nickel plated brass	14	n°50



For a correct use of these products and to get the best performance, please call our engineering experts.

SPACERS

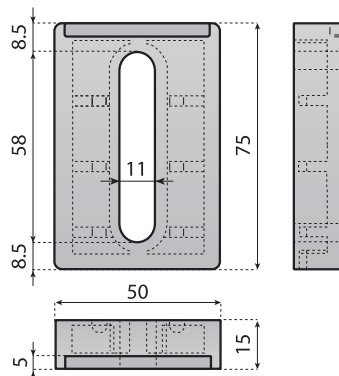
 Preferred type, readily available (codes marked in red)



Reinforced polyamide



Accessories



SPACER FOR BRACKETS

Application: bracket codes:

13692 - 13693 - 13696 - 13697 - 13769 - 13963
13633 - 13634 - 13635 - 13200 - 13201 - 13208
13209 - 13210.

Code

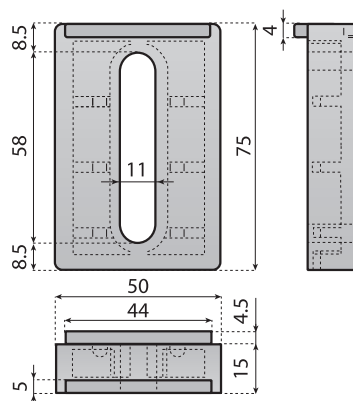


Material

13400

n°50

PA-FG



SPACER FOR BRACKETS

Application: bracket codes:

13692 - 13693 - 13696 - 13697 - 13769 - 13632
13633 13634 - 13635 - 13200 - 13201 - 13208
13209 - 13210 13040 - 13041 - 13042 - 13043
13044 - 13045 - 13046 - 13100 - 13101 - 13102
13047 - 13048 - 13049.

Code



Material

13399

n°50

PA-FG

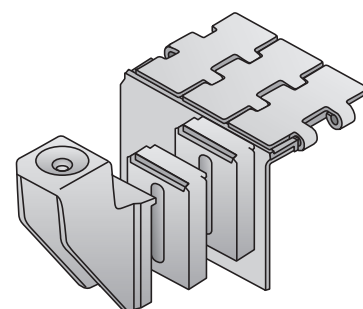
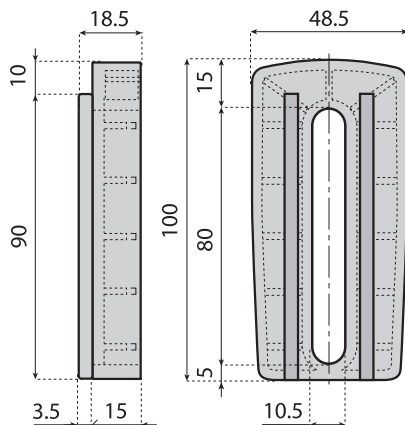
 Preferred type, readily available (codes marked in red)



Reinforced polyamide



Accessories



SPACER FOR BRACKETS

Application: bracket codes:

- 13185 - 13530 - 13531 - 13532 - 13533
- 13534 - 13535 - 13536 - 13537 - 13538
- 13539 - 13540 - 13541 - 13542 - 13543
- 13544 - 13545 - 13546 - 13547.

Code

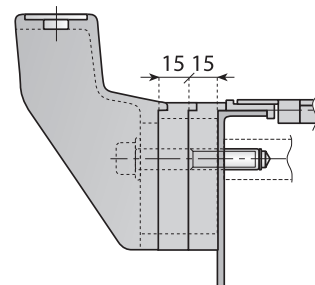
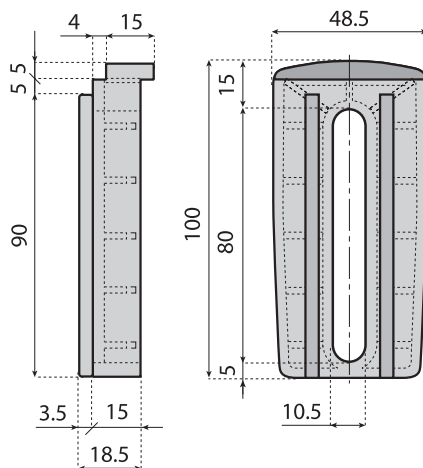


Material

13187

n°50

PA-FG



SPACER FOR BRACKETS

Application: bracket codes:

- 13186 - 13580 - 13581 - 13582 - 13583
- 13584 - 13585 - 13586 - 13587 - 13588
- 13589 - 13590 - 13591 - 13592 - 13593
- 13594 - 13595 - 13596 - 13597.

Code



Material

13188

n°50

PA-FG

SPACERS

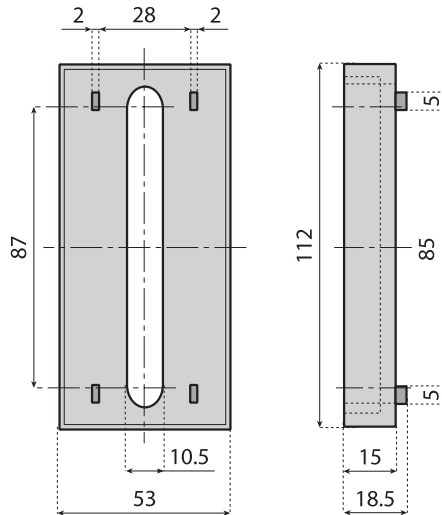
➔ Preferred type, readily available
(codes marked in red)



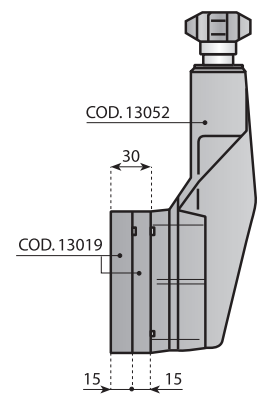
SPACER FOR BRACKETS

Application: bracket codes:

13020 - 13021 - 13022 - 13023 - 13024
13025 - 13026 - 13027 - 13050 - 13051
13052 - 13054 - 13055 - 13056 - 13088
13089 - 13746 - 13747 - 13748 - 13749
13750 - 13751.



Code	Material
13019	n°50 PA-FG

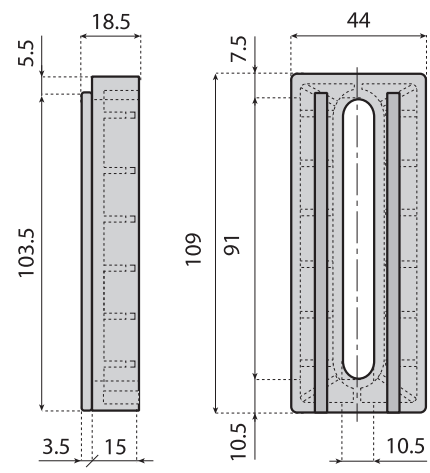


SPACER FOR BRACKETS

Material: reinforced polyamide

Application: bracket codes:

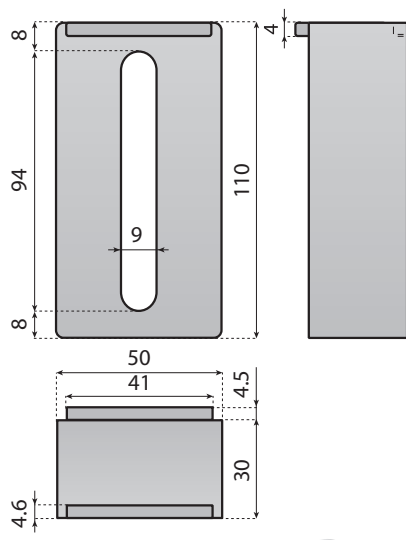
13020 - 13021 - 13088 - 13089 - 13847
13848 - 13849 - 13054 - 13055 - 13056
13886 - 13887 - 13888 - 13749 - 13750
13751 - 13746 - 13747 - 13748 - 13025
13026 - 13027 - 13022 - 13023 - 13024



Code	Material
13189	n°50 PA-FG



SPACER FOR BRACKETS



Code	Material
13198	n°50 PA-FG



DRIP TRAY SUPPORTS

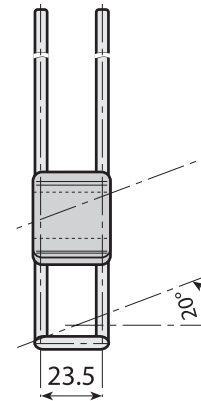
Material: metal support in stainless steel AISI 304, clamp in polyamide.

Accessories: fixing washer code 13252

Application: drip tray supports can be used with the following brackets:

13020 - 13021 - 13022 - 13023 - 13024 - 13025 - 13026 - 13027
 13050 - 13051 - 13052 - 13054 - 13055 - 13056 - 13088 - 13089
 13205 - 13206 - 13207 - 13746 - 13747 - 13748 - 13749 - 13750
 13751 - 13767 - 13768 - 13200 - 13201 - 13692 - 13693 - 13696
 13697 - 13769 - 13632 - 13633 - 13634 - 13635 - 13208 - 13209
 13210.

Drip tray supports can also be used with spacers code:
 13019 - 13399 - 13400.



AISI 304
Stainless steel

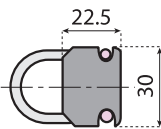
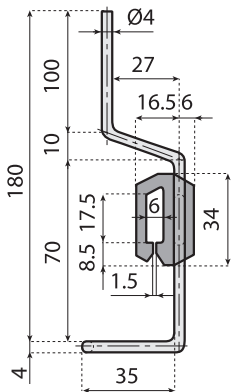


Polyamide



Accessories

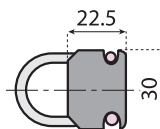
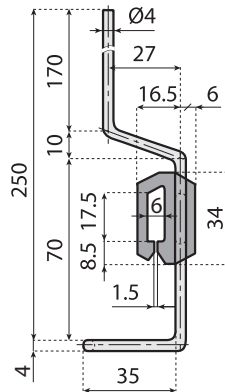
DRIP TRAY SUPPORTS - AVAILABLE VERSIONS



Code

13250

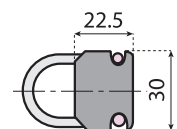
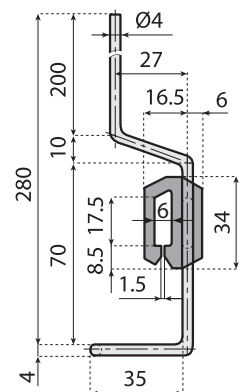
n°50



Code

13253

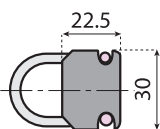
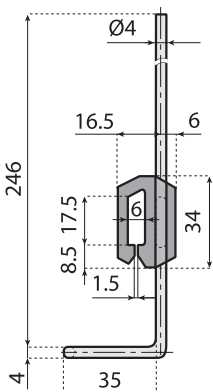
n°50



Code

13254

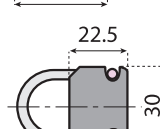
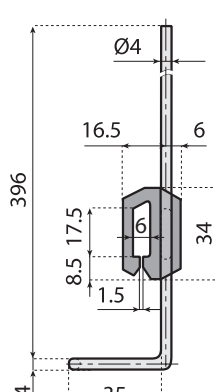
n°50



Code

13255

n°50



Code

13256

n°50

Preferred type, readily available (codes marked in red)

DRIP TRAY SUPPORTS

DRIP TRAY SUPPORTS

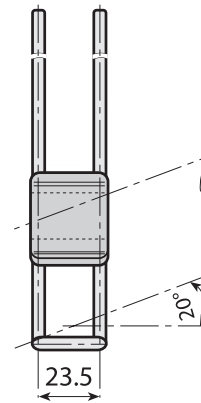
Material: metal support in stainless steel AISI 304, clamp in polyamide.

Accessories: fixing washer code 13252

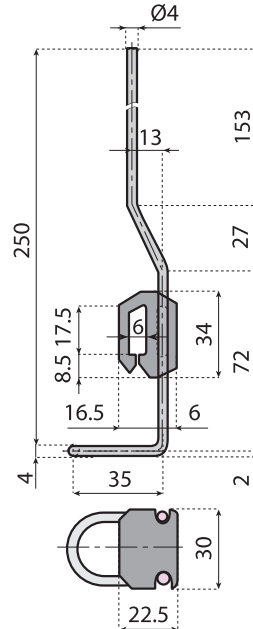
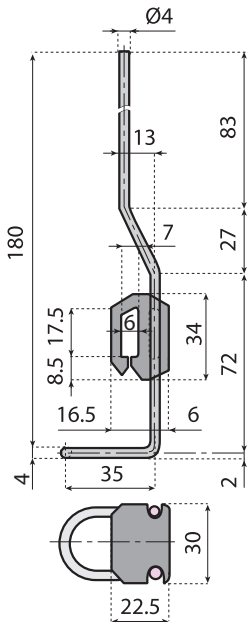
Application: drip tray supports can be used with the following brackets:

13020 - 13021 - 13022 - 13023 - 13024 - 13025 - 13026 - 13027
 13050 - 13051 - 13052 - 13054 - 13055 - 13056 - 13088 - 13089
 13205 - 13206 - 13207 - 13746 - 13747 - 13748 - 13749 - 13750
 13751 - 13767 - 13768 - 13200 - 13201 - 13692 - 13693 - 13696
 13697 - 13769 - 13632 - 13633 - 13634 - 13635 - 13208 - 13209
 13210.

Drip tray supports can also be used with spacers code:
 13019 - 13399 - 13400.



DRIP TRAY SUPPORTS - AVAILABLE VERSIONS



Code
13257

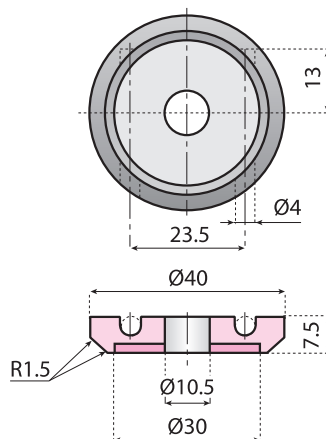
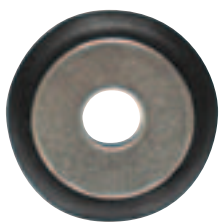


n°50

Code
13258



n°50

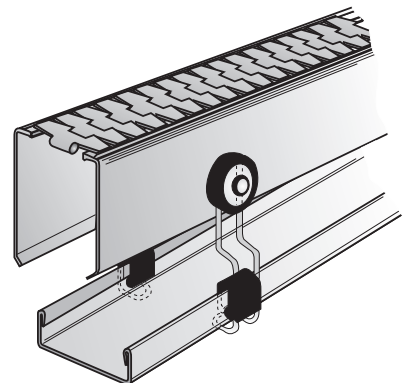


Code
13252



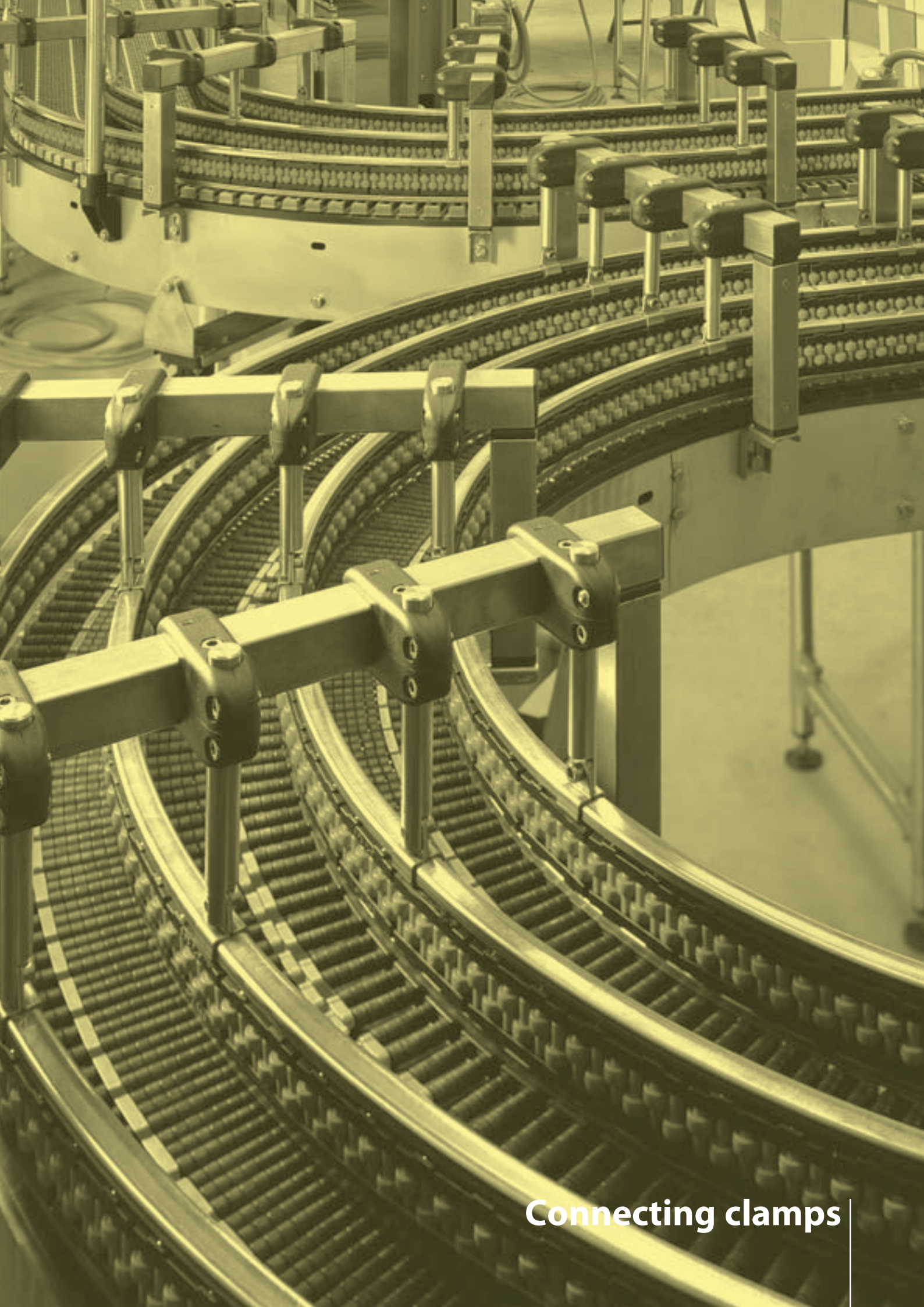
n°50

➡ Preferred type, readily available (codes marked in red)



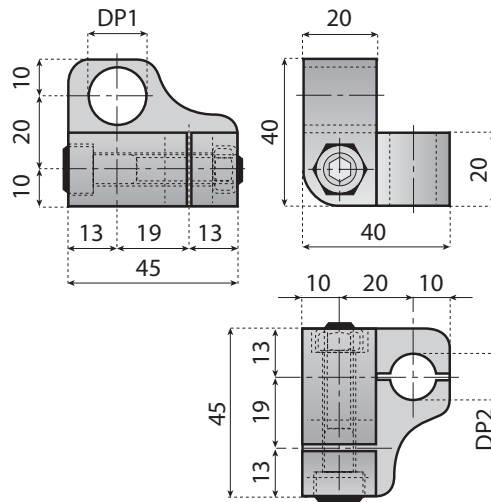
FIXING WASHER

Material: polyamide, washer in stainless steel AISI 304.



Connecting clamps

SINGLE ACTION TWO WAY CROSS BLOCK



AISI 304
Stainless steel



Reinforced
polyamide



Accessories



SINGLE ACTION TWO WAY CROSS BLOCK

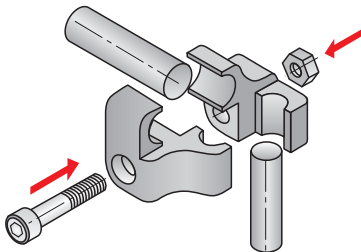
Feature: the special design provides a means for rapid adjustment of both vertical and horizontal side rail positions with the release of a single bolt or knob.

Material: reinforced polyamide, screws in stainless steel AISI 304.

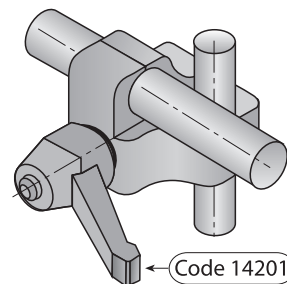
Supply: assembled.

Code	DP1	DP2	
13135	12	12	
13139	14	14	n°50
13144	16	16	

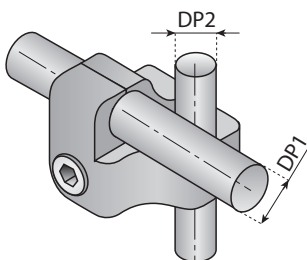
Example application



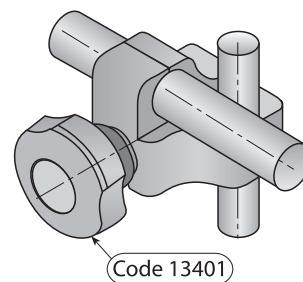
Adjustment with ratchet handle code 14201



Adjustment with bolts



Adjustment with knob code 13401



POSITIVE ACTION CROSS BLOCK



AISI 304
Stainless steel



Reinforced
polyamide



Zinc plated steel



Accessories

EXAMPLE APPLICATION



POSITIVE ACTION CROSS BLOCK

Material: reinforced polyamide.

Use: rod \varnothing 12 mm.

Supply: unassembled.

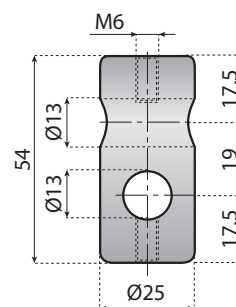
Code

13180

Without screws



n°100



POSITIVE ACTION CROSS BLOCK WITH SCREWS

Material: reinforced polyamide, screws in stainless steel.

Supply: unassembled.

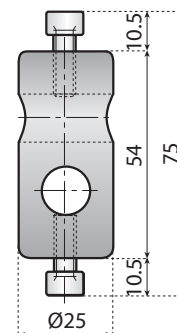
Code

13181

With screws



n°100



POSITIVE ACTION CROSS BLOCK WITH STAR KNOBS

Material: reinforced polyamide, knobs in polyamide with stainless steel insert.

Use: rod \varnothing 12 mm.

Supply: unassembled.

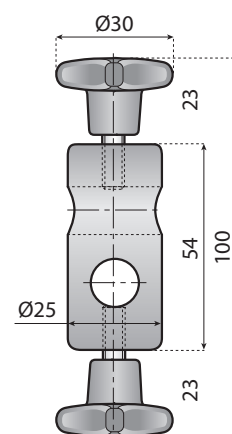
Code

13182

With star knobs



n°100



POSITIVE ACTION CROSS BLOCK WITH KNOBS

Material: reinforced polyamide, knobs in polyamide with zinc plated steel insert.

Use: rod \varnothing 12 mm.

Supply: unassembled.

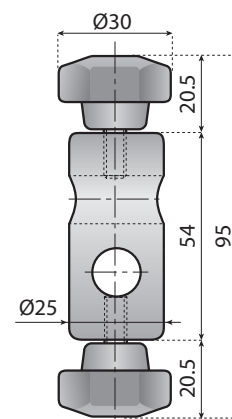
Code

13183

With knobs

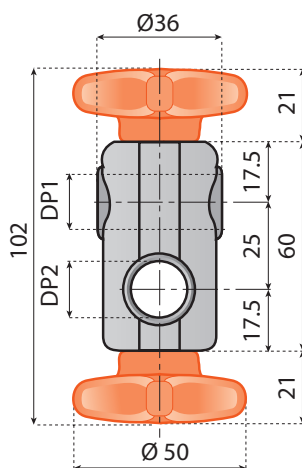


n°100



QUICK POSITIONING CROSS BLOCK

 Preferred type, readily available (codes marked in red)



AISI 304
Stainless steel



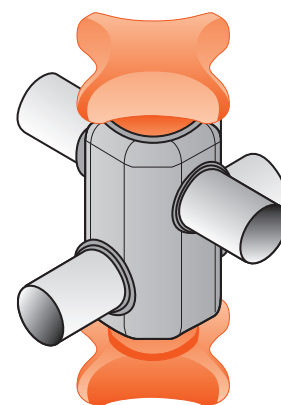
Nickel plated brass



Reinforced
polyamide



Accessories




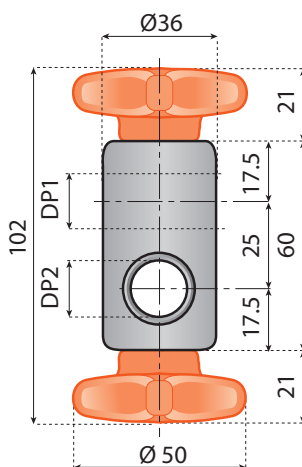
QUICK RELEASE CROSS BLOCK

Material: housing in reinforced polyamide, hardware in stainless steel, knobs in polyamide with bushings in nickel plated brass.

Features: it connects two round rods at 90°. Each side of the cross block can be quickly adjusted by loosening the hand knob.

Supply: assembled.

Code	DP1	DP2	
13316	12	12	
13317	12	14	
13318	12	16	
13319	14	14	
13320	14	16	
13321	16	16	n°50




QUICK RELEASE CROSS BLOCK

Material: body in stainless steel, hardware in stainless steel, knobs in polyamide with bushings in nickel plated brass.

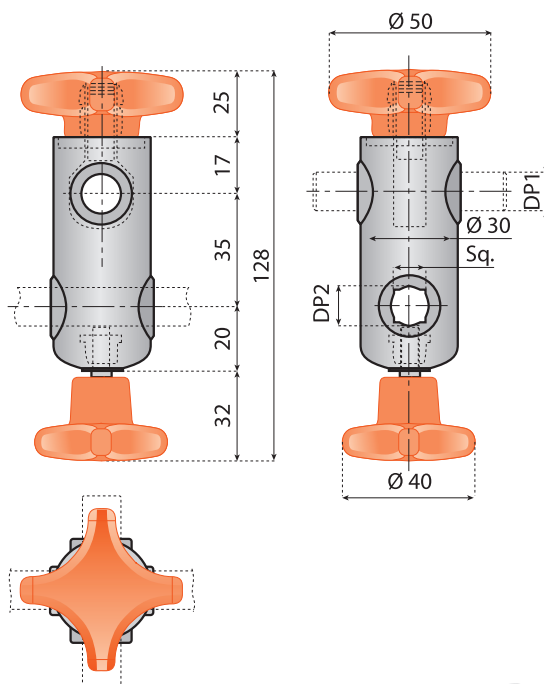
Features: it connects two round rods at 90°. Each side of the cross block can be quickly adjusted by loosening the hand knob.

Supply: assembled.

Code		DP1	DP2	
with knobs colour				
Orange	Black			
13360V	13360VN	12	12	
13361V	13361VN	12	14	
13362V	13362VN	12	16	
13363V	13363VN	14	14	
13364V	13364VN	14	16	
13365V	13365VN	16	16	n°50

QUICK POSITIONING CROSS BLOCK

 Preferred type, readily available (codes marked in red)



Code	DP1	DP2		n°50
		●	■	
13310V	12	12	10	
13311V	12	14	12	
13322V	14	12	10	
13312V	14	14	12	



AISI 304
Stainless steel



Nickel plated brass



Reinforced
polyamide



Accessories

CROSS BLOCK WITH KNOBS

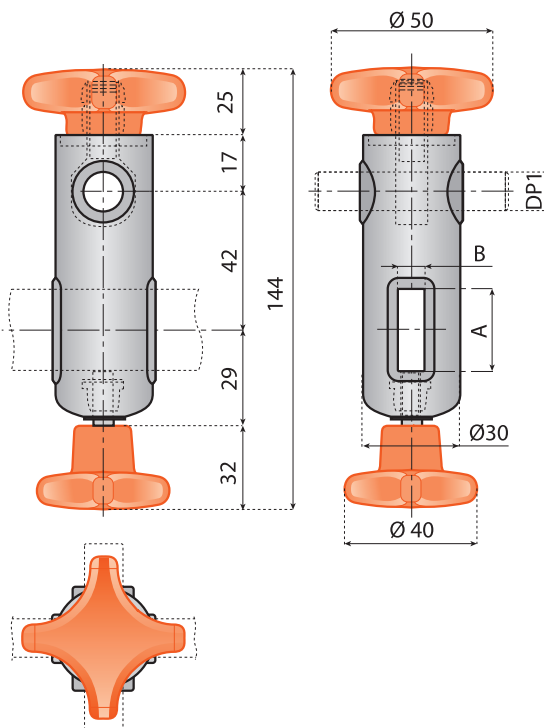
Components:

- Housing in reinforced polyamide.
- Washer and hardware in stainless steel.
- Knobs in reinforced polyamide with one threaded insert in stainless steel and one brass bushing.

Features:

- Connects two round rods or one round rod with square bar at 90°.
- Each side of the cross block can be quickly adjusted by loosening the hand knob.

Supply: assembled.



Code	DP1	FLAT BAR		n°50
		A x B		
13260V	12	25 x 8		
13261V	14	25 x 8		
13262V	12	25 x 6		
13263V	14	25 x 6		

CROSS BLOCK WITH KNOBS

Components:

- Housing in reinforced polyamide.
- Washer and hardware in stainless steel.
- Knobs in reinforced polyamide with one threaded insert in stainless steel and one brass bushing.

Features:

- Connects one round rod with flat bar at 90°.
- Each side of the cross block can be quickly adjusted by loosening the hand knob.

Supply: assembled.

DUAL ACTION CROSS BLOCK

 Preferred type, readily available (codes marked in red)



AISI 304
Stainless steel



Nickel plated brass



Reinforced
polyamide



[Accessories](#)

DUAL ACTION CROSS BLOCK

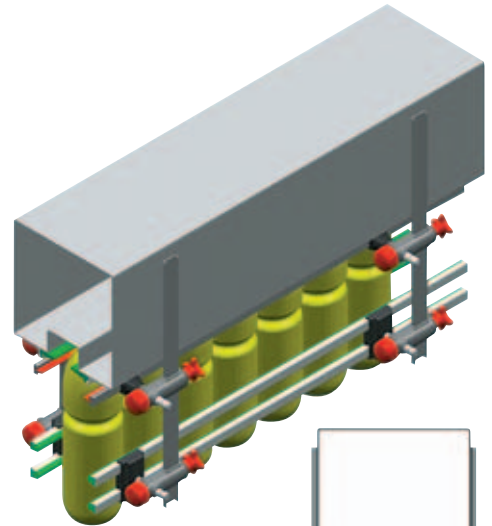
Features: for fast line changes the new System Plast Dual Action Cross Block provides simplicity and easy in achieving the accuracy needed in adjusting multiple stations simultaneously. By simply rotating the quick release cap, the Dual Action Cross Block is placed in a neutral, non clamping, position. The side guides and other rails can then be moved to the desired location before returning the quick release cap to its locked position.

- This new patented part is perfect for applications where accurate and / or frequent adjustments are required.
- Fits 12-14 mm diameter adjusting rods.
- Corrosion resistance composite components.
- Ergonomic spring loaded design.

Components:

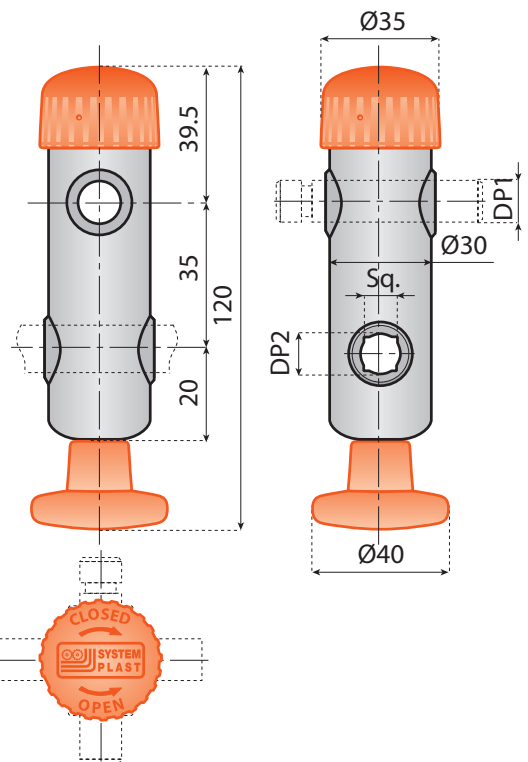
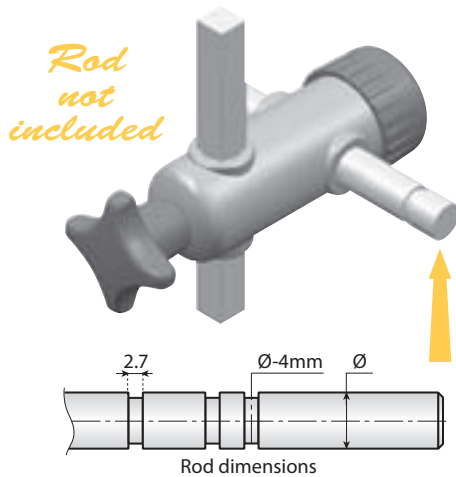
- External Housing (polyamide).
- Internal Housing (see the table).
- Closing Cap (polyamide).
- Spring (steel).
- Knob (polyamide with threaded insert in stainless steel).
- Threaded insert (nickel plated brass).


Supply: assembled.



Advantages:

- Rapid adjustment of guides to accommodate the choice of bottle format.
- Quick and easy maintenance.



Code	Internal block	DP1	DP2		
			●	■	
13310		12	12	10	
13311	Reinforced polyamide	12	14	12	n°50
13322		14	12	10	
13312		14	14	12	
13313		12	12	10	
13314	Nickel	12	14	12	n°50
13323	plated brass	14	12	10	
13315		14	14	12	

For a correct use of these products and to get the best performance, please call our engineering experts.

DUAL ACTION CROSS BLOCK FINE POSITIONING VERSION



AISI 304
Stainless steel

Nickel plated brass

Reinforced
polyamide

[Accessories](#)

DUAL ACTION CROSS BLOCK

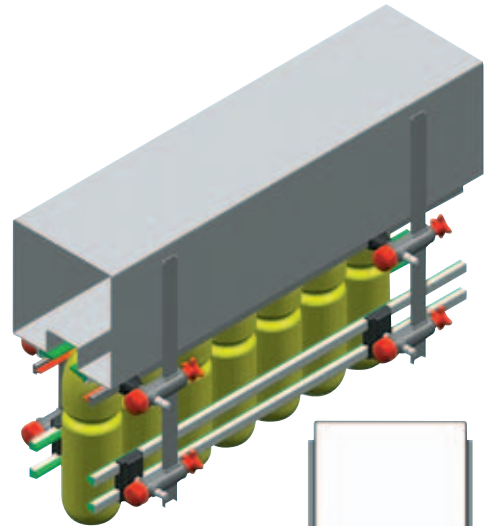
Features: for fast line changes the new System Plast Dual Action Cross Block provides simplicity and easy in achieving the accuracy needed in adjusting multiple stations simultaneously. By simply rotating the quick release cap, the Dual Action Cross Block is placed in a neutral, non clamping, position. The side guides and other rails can then be moved to the desired location before returning the quick release cap to its locked position.

- This new patented part is perfect for applications where accurate and / or frequent adjustments are required.
- Fits 12-14 mm diameter adjusting rods.
- Corrosion resistance composite components.
- Ergonomic spring loaded design.

Components:

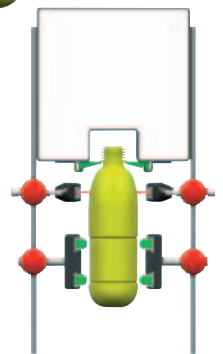
- External Housing (polyamide)
- Internal Housing (see the table)
- Closing Cap (polyamide)
- Spring (steel)
- Knob (polyamide with threaded insert in stainless steel).
- Threaded insert (nickel plated brass).

Supply: assembled.

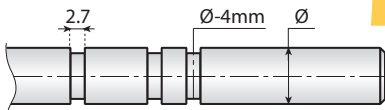
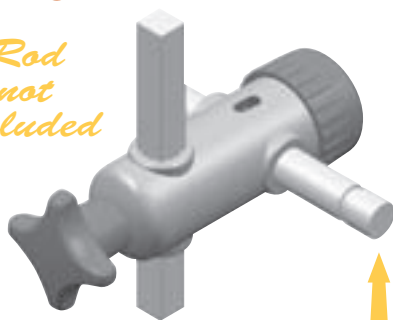


Advantages:

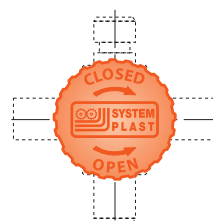
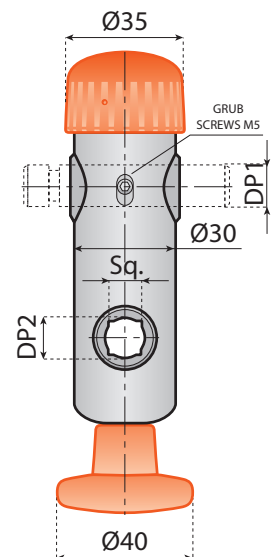
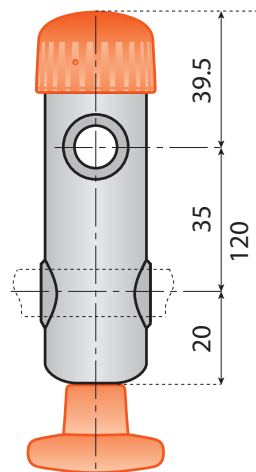
- Rapid adjustment of guides to accommodate the choice of bottle format.
- Quick and easy maintenance.



Rod
not
included



Rod dimensions



Code	Internal block	DP1	DP2		n°50
			●	■	
13313FP		12	12	10	
13314FP	Nickel	12	14	12	
13323FP	plated brass	14	12	10	
13315FP		14	14	12	



For a correct use of these products and to get the best performance, please call our engineering experts.

DUAL ACTION CROSS BLOCK (FOR FLAT BAR)

 Preferred type, readily available (codes marked in red)



AISI 304
Stainless steel



Nickel plated brass



Reinforced
polyamide



[Accessories](#)

DUAL ACTION CROSS BLOCK

Features: for fast line changes the new System Plast Dual Action Cross Block provides simplicity and easy in achieving the accuracy needed in adjusting multiple stations simultaneously. By simply rotating the quick release cap, the Dual Action Cross Block is placed in a neutral, non clamping, position. The side guides and other rails can then be moved to the desired location before returning the quick release cap to its locked position.

- This new patented part is perfect for applications where accurate and / or frequent adjustments are required.
- Fits 12-14 mm diameter adjusting rods.
- Corrosion resistance composite components.
- Ergonomic spring loaded design.

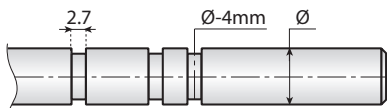
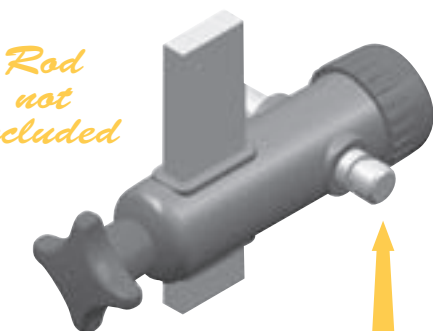
Components:

- External Housing (polyamide)
- Internal Housing (see the table)
- Closing Cap (polyamide)
- Spring (steel)
- Knob (polyamide with threaded insert in stainless steel).
- Threaded insert (nickel plated brass).

Supply: assembled.



*Rod
not
included*

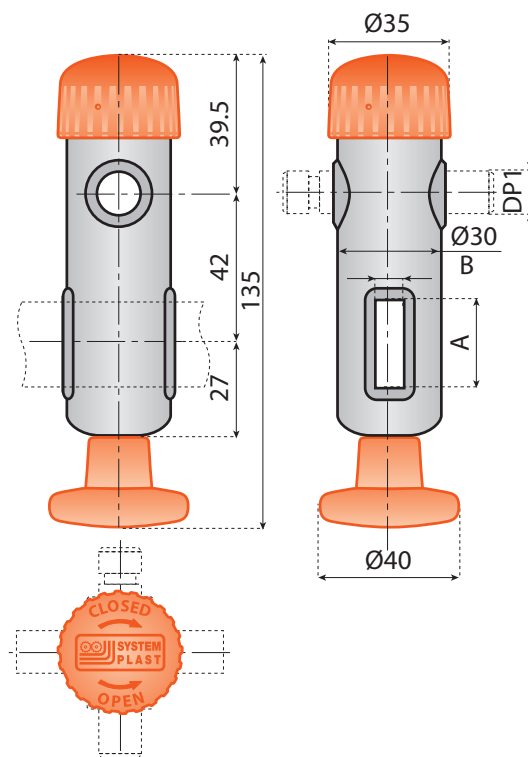
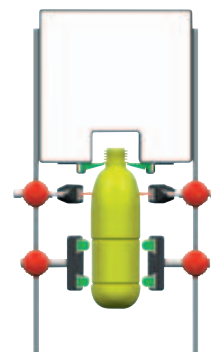


Rod dimensions



Advantages:

- Rapid adjustment of guides to accommodate the choice of bottle format.
- Quick and easy maintenance.



Code	Internal block	DP1	Flat bar A x B	
13260		12	25 x 8	
13261	Reinforced polyamide	14	25 x 8	n°50
13262		12	25 x 6	
13263		14	25 x 6	
13264		12	25 x 8	
13265	Nickel	14	25 x 8	n°50
13266	plated brass	12	25 x 6	
13267		14	25 x 6	

For a correct use of these products and to get the best performance, please call our engineering experts.

DUAL ACTION CROSS BLOCK FINE POSITIONING VERSION (FOR FLAT BAR)



AISI 304
Stainless steel



Nickel plated brass



Reinforced polyamide



Accessories

DUAL ACTION CROSS BLOCK

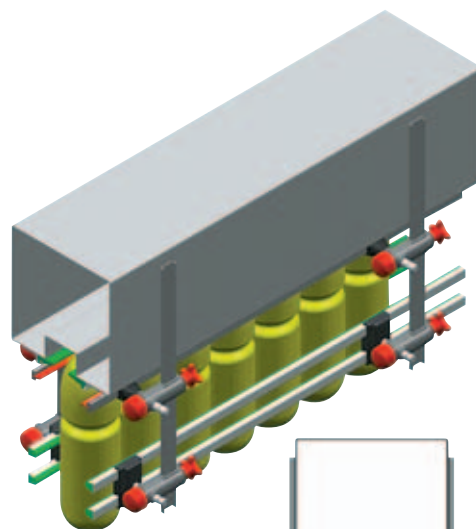
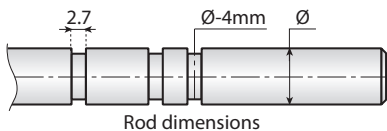
Features: for fast line changes the new System Plast Dual Action Cross Block provides simplicity and easy in achieving the accuracy needed in adjusting multiple stations simultaneously. By simply rotating the quick release cap, the Dual Action Cross Block is placed in a neutral, non clamping, position. The side guides and other rails can then be moved to the desired location before returning the quick release cap to its locked position.

- This new patented part is perfect for applications where accurate and / or frequent adjustments are required.
- Fits 12-14 mm diameter adjusting rods.
- Corrosion resistance composite components.
- Ergonomic spring loaded design.

Components:

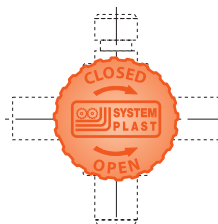
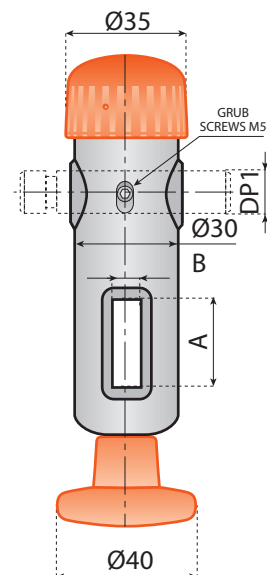
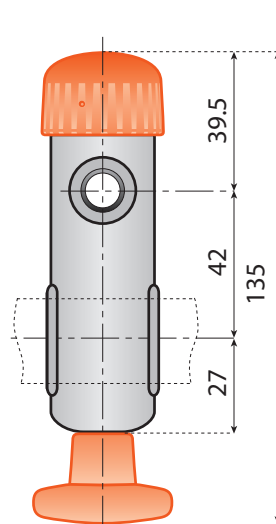
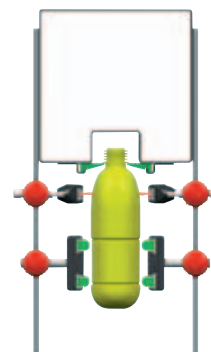
- External Housing (polyamide)
- Internal Housing (see the table)
- Closing Cap (polyamide)
- Spring (steel)
- Knob (polyamide with threaded insert in stainless steel)
- Threaded insert (nickel plated brass).


Supply: assembled.



Advantages:

- Rapid adjustment of guides to accommodate the choice of bottle format.
- Quick and easy maintenance.



Code	Internal block	DP1	Flat bar A x B	 n°50
13264FP		12	25 x 8	
13265FP	Nickel	14	25 x 8	
13266FP	plated brass	12	25 x 6	
13267FP		14	25 x 6	

For a correct use of these products and to get the best performance, please call our engineering experts.

CROSS BLOCKS

 Preferred type, readily available (codes marked in red)



AISI 304
Stainless steel



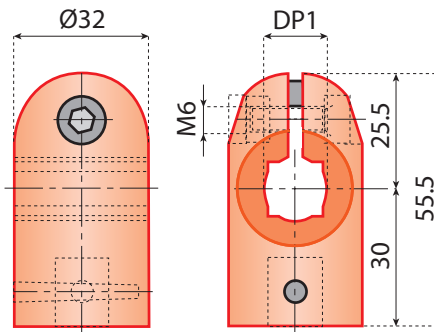
Nickel plated brass



Reinforced
polyamide



288 → 296
Accessories




CROSS BLOCKS

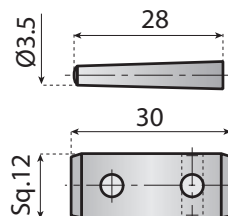
Features: cross blocks, in a variety of bore configurations, including square bore combinations, are manufactured from reinforced polyamide.

Use: it connects two round or square rods at 90°.

Material: reinforced polyamide with stainless steel bolts.

Supply: unassembled.

Code	DP1		
	●	■	
13666	14	12	n°100
13667	15	-	
13668	16	14	
13669	18	-	
13670	20	16	



CONNECTING JOINT AND PINS

Supply: separate two pins and one connecting joints.

Code		Material
13671	n°100	Nickel plated brass

EXTRA LONG CROSS OR PARALLEL BLOCKS

 Preferred type, readily available (codes marked in red)



AISI 304
Stainless steel



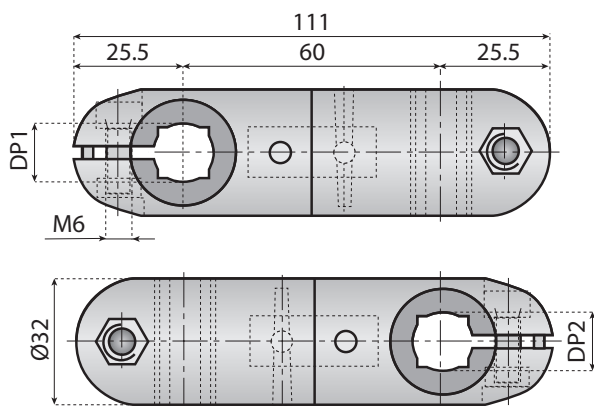
Nickel plated brass




Reinforced
polyamide



288 → 296
Accessories



Code	DP1		DP2		
	●	■	●	■	
13651P	14	12	14	12	n°100
13652P	14	12	15	-	
13653P	14	12	16	14	
13654P	14	12	18	-	
13655P	14	12	20	16	
13656P	15	-	15	-	
13657P	15	-	16	14	
13658P	15	-	18	-	
13659P	15	-	20	16	
13660P	16	14	16	14	
13661P	16	14	18	-	
13662P	16	14	20	16	
13663P	18	-	18	-	
13664P	18	-	20	16	
13665P	20	16	20	16	

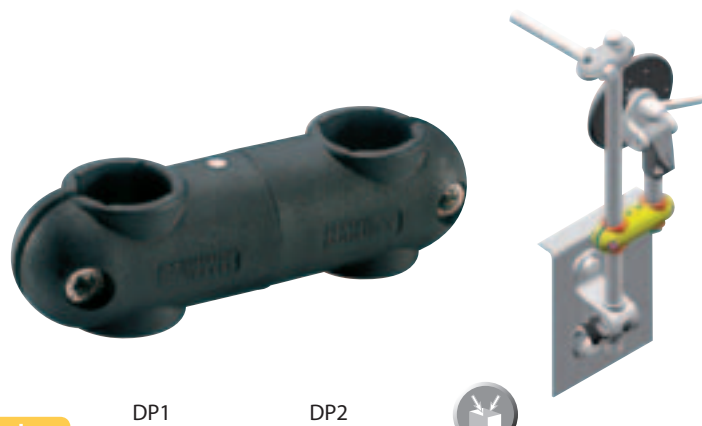
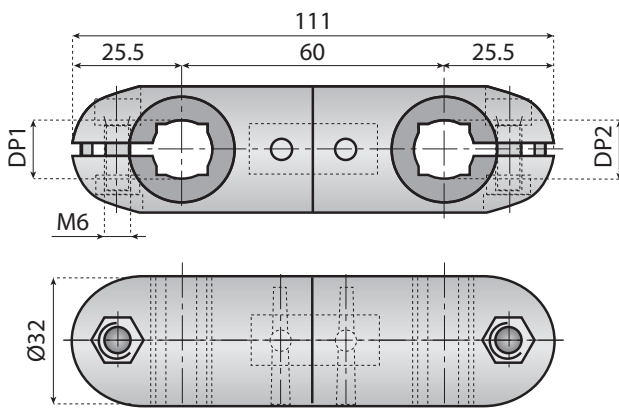
EXTRA LONG CROSS BLOCKS


Features: cross blocks, in a variety of bore configurations, including square bore combinations, are manufactured from reinforced polyamide.

Use: it connects two round or square rods at 90°.

Material: reinforced polyamide with stainless steel bolts. Internal connecting joint and pins in nickel plated brass.

Supply: assembled.



Code	DP1		DP2		
	●	■	●	■	
13651L	14	12	14	12	n°100
13652L	14	12	15	-	
13653L	14	12	16	14	
13654L	14	12	18	-	
13655L	14	12	20	16	
13656L	15	-	15	-	
13657L	15	-	16	14	
13658L	15	-	18	-	
13659L	15	-	20	16	
13660L	16	14	16	14	
13661L	16	14	18	-	
13662L	16	14	20	16	
13663L	18	-	18	-	
13664L	18	-	20	16	
13665L	20	16	20	16	

EXTRA LONG PARALLEL BLOCKS

Features: cross blocks, in a variety of bore configurations, including square bore combinations, are manufactured from reinforced polyamide.

Use: it connects two round or square rods at parallel.

Material: reinforced polyamide with stainless steel bolts. Internal connecting joint and pins in nickel plated brass.

Supply: assembled.

T - CLAMP (BASE)

 Preferred type, readily available (codes marked in red)



AISI 304
Stainless steel



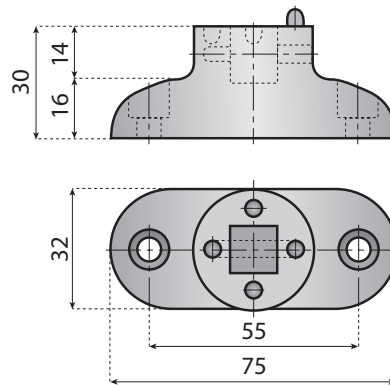
Nickel plated brass



Reinforced polyamide



Accessories



Code

131008



n°100

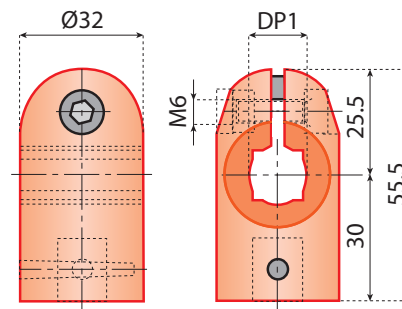
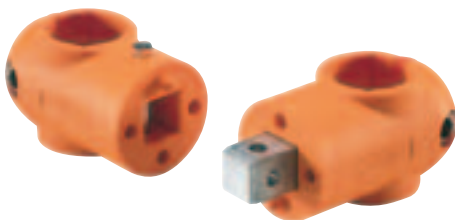
T-MOBILE CLAMPS

Features: it mounts to the side of equipment to provide support for light duty application.

Use: with single cross block

Material: reinforced polyamide with stainless steel bolts.

Supply: unassembled



CROSS BLOCKS

Features: cross blocks, in a variety of bore configurations, including square bore combinations, are manufactured from reinforced polyamide.

Use: connects two round or square rods at 90°.

Material: reinforced polyamide with stainless steel bolts.

Supply: unassembled.

Code

13666

13667

13668

13669

13670

DP1



14

15

16

18

20

12

-

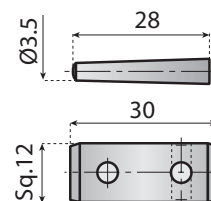
14

-

16



n°100



Code

13671



n°100



Nickel plated brass

CONNECTING JOINT AND PINS

Supply: separate two pins and one connecting joints.

 Preferred type, readily available (codes marked in red)



AISI 304
Stainless steel



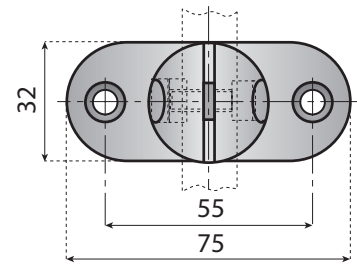
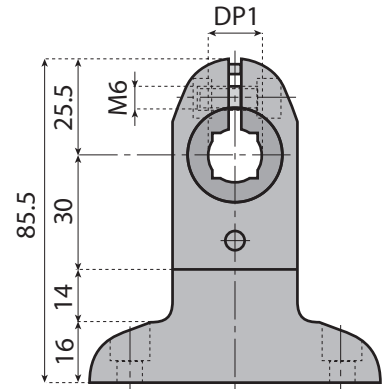
Nickel plated brass



Reinforced polyamide



Accessories




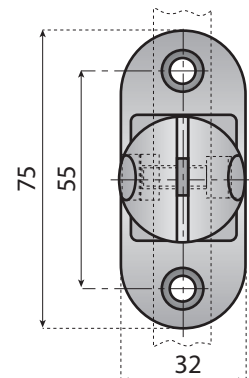
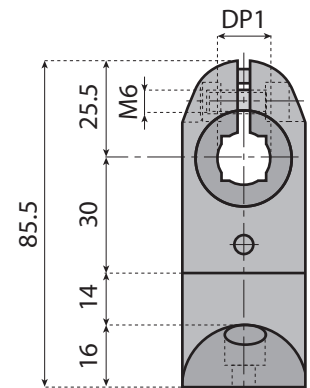
T-MOBILE CLAMPS

Features: mounts to side of equipment to provide support light duty rod type guide rail system.

Material: reinforced polyamide with stainless steel bolts; Internal connecting joints and pins in nickel plated brass.

Supply: assembled.

Code	DP1		
	●	■	
131010P	14	12	n°100
131011P	15	-	
131012P	16	14	
131013P	18	-	
131014P	20	16	




T-MOBILE CLAMPS

Features: mounts to side of equipment to provide support light duty rod type guide rail system.

Material: reinforced polyamide with stainless steel bolts; Internal connecting joints and pins in nickel plated brass.

Supply: assembled.

Code	DP1		
	●	■	
131010L	14	12	n°100
131011L	15	-	
131012L	16	14	
131013L	18	-	
131014L	20	16	

STANDARD CROSS BLOCKS



AISI 304
Stainless steel



Acetal resin

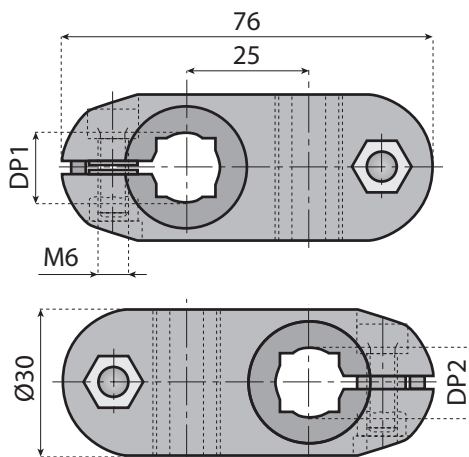


Reinforced
polyamide



288 → 296
Accessories

☞ Preferred type, readily available (codes marked in red)



Code	DP1		DP2		n°50
	●	■	●	■	
13105	14	12	14	12	
13106	14	12	15	-	
13107	14	12	16	14	
13111	14	12	18	-	
13140	14	12	20	16	
13108	15	-	15	-	
13109	15	-	16	14	
13112	15	-	18	-	
13141	15	-	20	16	
13110	16	14	16	14	
13113	16	14	18	-	
13142	16	14	20	16	
13093	18	-	18	-	
13143	18	-	20	16	
13104	20	16	20	16	
13104K	-	16	20	16	

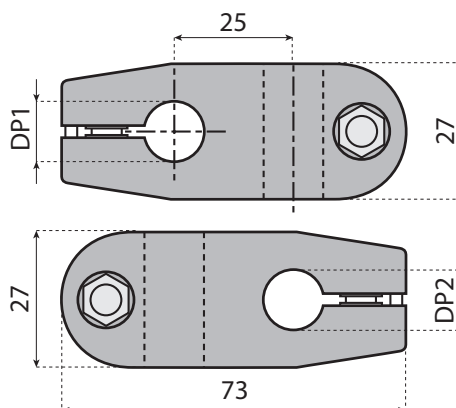
CROSS BLOCK

Features: cross blocks, in a variety of bore configurations, including square bore combinations, are manufactured from reinforced polyamide.

Use: connects two round or square rods at 90°.

Material: reinforced polyamide with stainless steel fasteners.

Supply: assembled.



HEAVY DUTY CROSS BLOCK

Features: cross blocks, in a variety of bore configurations, including square bore combinations, are manufactured from reinforced acetal.

Use: connects two round or square rods at 90°.

Material: acetal resin with stainless steel fasteners.

Supply: assembled.

Code	Ref.	DP1	DP2	n°10
13500106	VG-620-12-12M	12	12	
13500107	VG-620-12-16M	12	16	
13500108	VG-620-14-14M	14	14	
13500109	VG-620-15-15M	15	15	
13500110	VG-620-16-16M	16	16	
13500111	VG-620-18-18M	18	18	

STANDARD CROSS BLOCKS

 Preferred type, readily available (codes marked in red)



AISI 304
Stainless steel



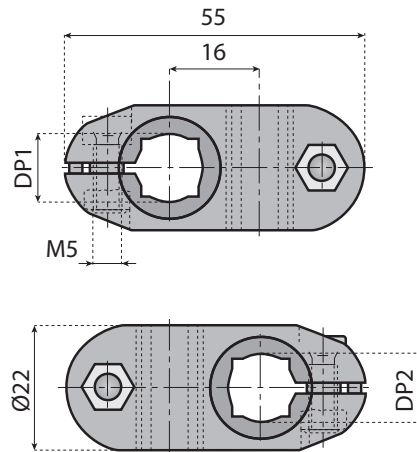
Acetal resin



Reinforced polyamide



Accessories




MINI CROSS BLOCK

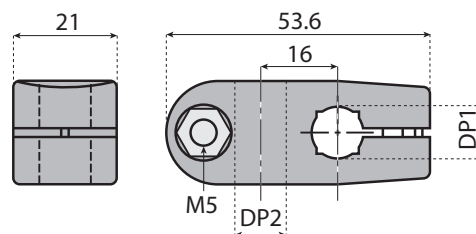
Features: cross blocks, in a variety of bore configurations, including square bore combinations, are manufactured from reinforced polyamide.

Use: connects two round or square rods at 90°.

Material: reinforced polyamide with stainless steel fasteners.

Supply: assembled.

Code	DP1		DP2		n°50
	●	■	●	■	
13151	10	8	10	8	
13145	10	8	12	10	
13146	10	8	14	12	
13114	12	10	12	10	
13147	12	10	14	12	
13160	14	12	14	12	




HEAVY DUTY MINI CROSS BLOCK

Features: cross blocks, in a variety of bore configurations, including square bore combinations, are manufactured from reinforced polyamide.

Use: connects two round or square rods at 90°.

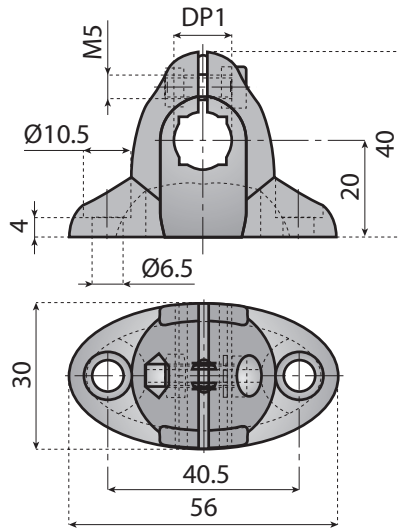
Material: acetal resin with stainless steel fasteners.

Supply: assembled.

Code	Ref.	DP1		DP2		n°10
		●	■	●	■	
13S00114	VG-619-10M	10	8	10	8	
13S00115	VG-619-12M	12	10	12	10	
13S00116	VG-619-14M	14	12	14	12	

T. CLAMP

 Preferred type, readily available (codes marked in red)



AISI 304
Stainless steel



Reinforced
polyamide



Accessories

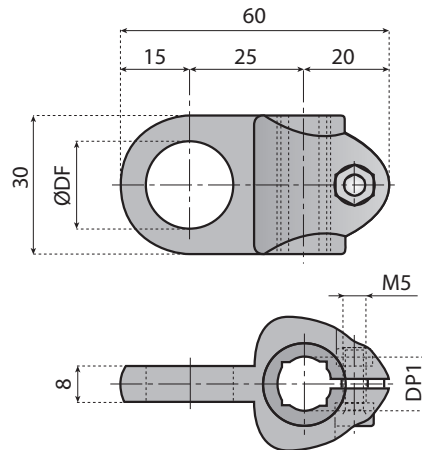
T-CLAMP

Features: mounts to side of equipment to provide support for light duty rod type guide rail system.

Material: reinforced polyamide with stainless steel fasteners.

Supply: assembled.

Code	DP1		n°50
	●	■	
13152	10	8	
13115	12	10	
13161	14	12	



Code	DP1		Ø DF	n°50
	●	■		
13600			8	
13601			10	
13602	10	8	12	n°50
13603			14	
13604			16	
13153			19	
13605			8	
13606			10	
13607	12	10	12	n°50
13608			14	
13609			16	
13116			19	
13610			8	
13611			10	
13612	14	12	12	n°50
13613			14	
13614			16	
13162			19	

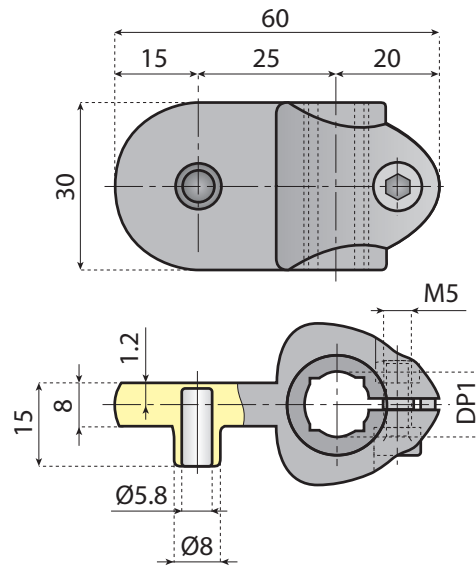
CLAMP

Features: used to hold many types of accessories. Numerous bore sizes available.

Material: reinforced polyamide with stainless steel fasteners.

Supply: assembled.

 Preferred type, readily available (codes marked in red)



AISI 304
Stainless steel




Reinforced
polyamide

REFLECTOR CLAMP

Features: used to hold reflectors using a cap screw and nut or pression clip.

Material: reinforced polyamide with stainless steel fasteners.

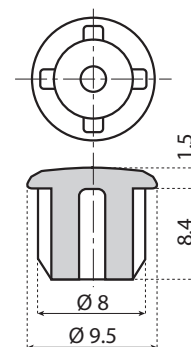
Supply: assembled.

Code	DP1		
	●	■	
13157	10	8	n°50
13158	12	10	
13159	14	12	



TUBE

- external d. 10 mm
- thickness 1 mm
- length 6 m



Code		Material
13155	n°50	SS AISI 304

Code		Material
13156	n°100	PA-FG

MOUNTING ASSEMBLY KIT

 Preferred type, readily available (codes marked in red)



AISI 304
Stainless steel



Reinforced
polyamide



Polyethylene



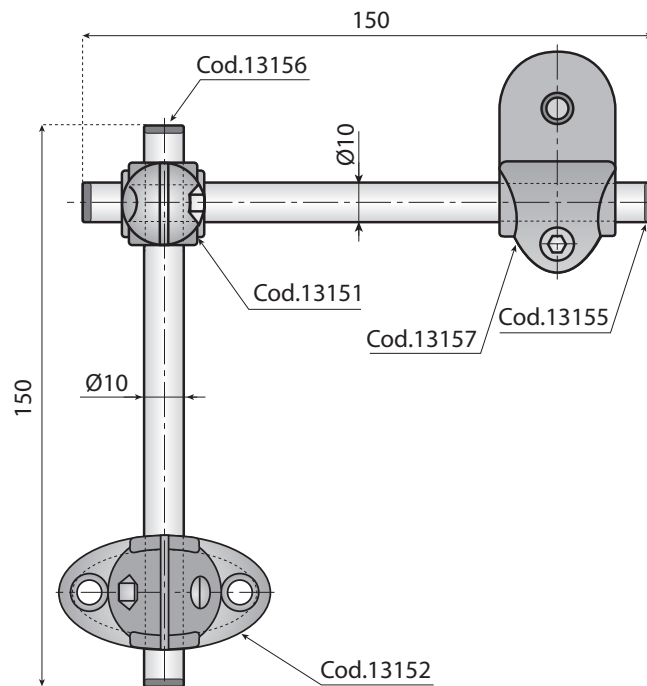
REFLECTOR MOUNTING ASSEMBLY KIT (for reflector)

Material: clamps in reinforced polyamide tightening bolt and connecting tubes in stainless steel AISI 304, closing caps in polyethylene.

Components: nr° 1 T-Clamp, nr° 1 clamp, nr° 1 cross block, nr° 2 connecting tubes, nr° 4 closing caps.

Supply: unassembled.

***Packaging:** 25 completely kit.



Code



13148

n°25*



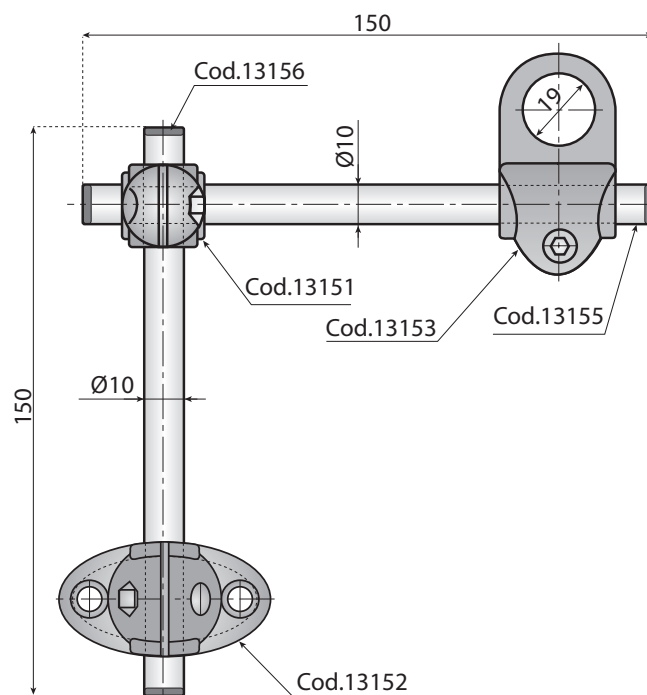
REFLECTOR MOUNTING ASSEMBLY KIT (for reflector)

Material: clamps in reinforced polyamide tightening bolt and connecting tubes in stainless steel AISI 304, closing caps in polyethylene.

Components: nr° 1 T-Clamp, nr° 1 clamp, nr° 1 cross block, nr° 2 connecting tubes, nr° 4 closing caps.

Supply: unassembled.

***Packaging:** 25 completely kit.



Code



13154

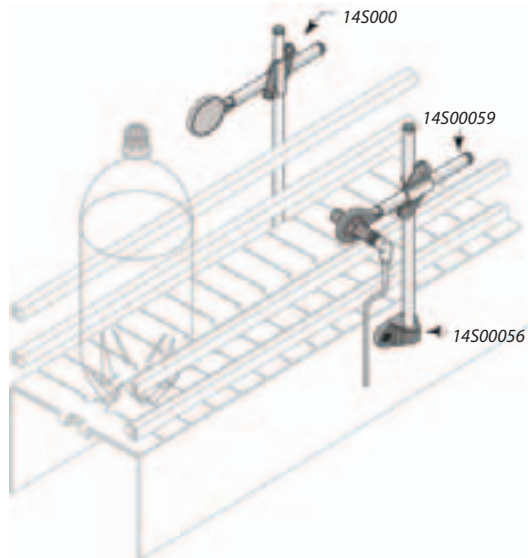
n°25*

UNIVERSAL ACCESSORY HOLDERS

Photocells, sensors, spray heads, miniature pneumatics, plus many other accessories can easily be held in place using accessory holders. These multi-axis assemblies are designed to offer unlimited possibilities for mounting accessories on conveyors and machinery of all types. Made of corrosion resistant thermoplastic and stainless steel, accessory holder can withstand harsh operating environments.

Accessory holders are configured to mount sensor or reflectors of various dimensions. The components are available as loose parts or as an assembly kit.

Material: clamps in reinforced polyamide, tubes in stainless steel AISI 304.



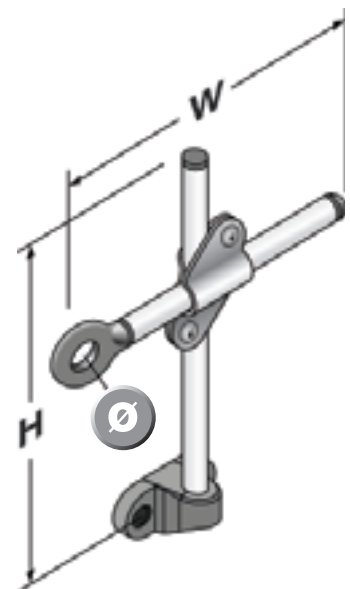
Stainless steel



Reinforced polyamide



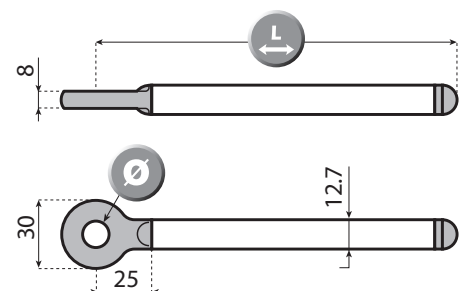
	Code	Ref.	W	H	Ø	Clamp
	14S00050	VG-625-30-3506	120	95	6.5	n°10
	14S00071	VG-625-30-5006	120	135		
	14S00072	VG-625-45-3506	155	95		
	14S00053	VG-625-45-5006	155	135		
	14S00073	VG-625-30-3510	120	95	9.5	n°10
	14S00074	VG-625-30-5010	120	135		
	14S00051	VG-625-45-3510	155	95		
	14S00075	VG-625-45-5010	155	135		
	14S00076	VG-625-30-3513	120	95	12.7	n°10
	14S00077	VG-625-30-5013	120	135		
	14S00078	VG-625-45-3513	155	95		
	14S00079	VG-625-45-5013	155	135		
	14S00080	VG-625-30-3516	120	95	16	n°10
	14S00081	VG-625-30-5016	120	135		
	14S00082	VG-625-45-3516	155	95		
	14S00083	VG-625-45-5016	155	135		
	14S00084	VG-625-30-3519	120	95	19	n°10
	14S00052	VG-625-30-5019	120	135		
	14S00085	VG-625-45-3519	155	95		
	14S00054	VG-625-45-5019	155	135		



ACCESSORY HOLDER

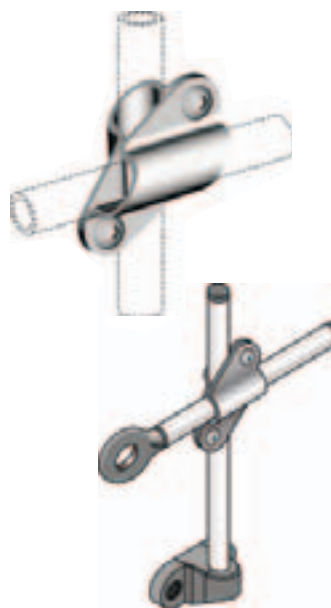
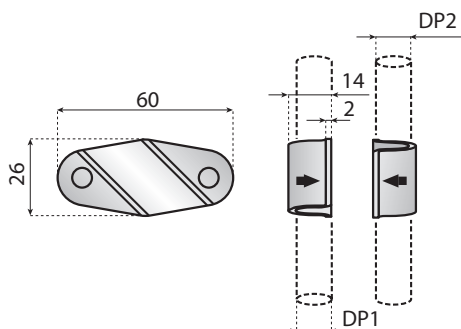
Material: clamps in reinforced polyamide, tubes in stainless steel AISI 304.

	Code	Ref.	L	Ø	Clamp
	14S00060	VG-628-35-12-14	120 mm	6.4	n°10
	14S00062	VG-628-35-12-38		9.5	
	14S00059	VG-628-35-12-12		12.7	
	14S00063	VG-628-35-12-58		16	
	14S00061	VG-628-35-12-34		19	
	14S00065	VG-628-50-12-14	155 mm	6.4	n°10
	14S00067	VG-628-50-12-38		9.5	
	14S00064	VG-628-50-12-12		12.7	
	14S00068	VG-628-50-12-58		16	
	14S00066	VG-628-50-12-34		19	



ACCESSORY HOLDERS

 Preferred type, readily available (codes marked in red)



SS 304

AISI 304
Stainless steel

PA

Polyamide


PATENT FEATURE

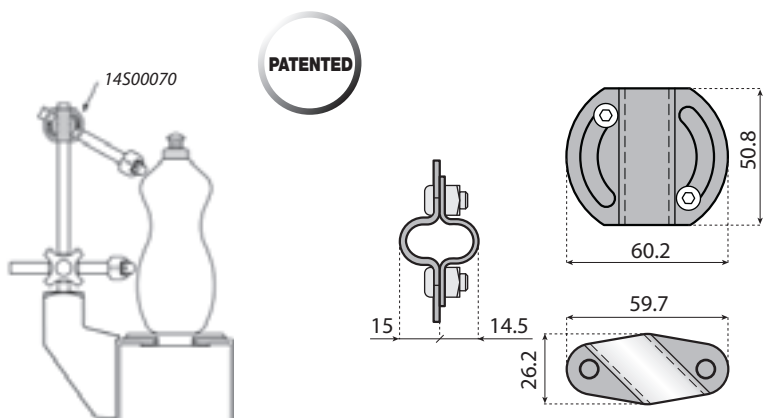
Par. # 6,591,978
(USA)

Ø 12.7


External diameter

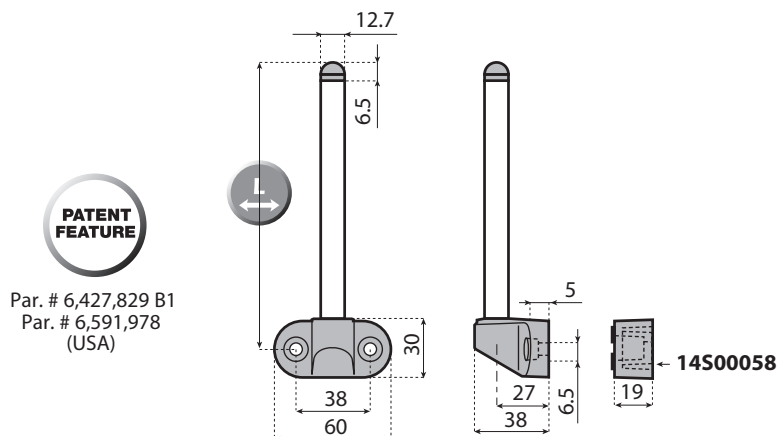
CROSS CLAMP IN STAINLESS STEEL

Code	Ref.	DP1	DP2		Material
14S00069	VG-629-12-12	12.7 mm	12.7 mm	n°10	SS AISI 304



CROSS CLAMP ADJUSTABLE IN STAINLESS STEEL



Code	Ref.	DP1	DP2		Material
14S00070	VG-629R-12-12	12.7 mm	12.7 mm	n°10	SS AISI 304




Par. # 6,427,829 B1
Par. # 6,591,978
(USA)

MODEL T-ROD

Material: clamps in reinforced polyamide, tubes in stainless steel AISI 304.

Code	Ref.		
14S00055	VG-627-30-12	95	
14S00056	VG-627-45-12	135	n°10
14S00057	VG-627-80-12	220	

SPACERS

Code	Ref.	
14S00058	VG-627S-34	n°10

 Preferred type, readily available (codes marked in red)



AISI 304
Stainless steel



Nickel plated brass



Reinforced polyamide



[Accessories](#)

EXTRA CROSS BLOCK STANDARD

Material: reinforced polyamide bolts and nut in stainless steel.

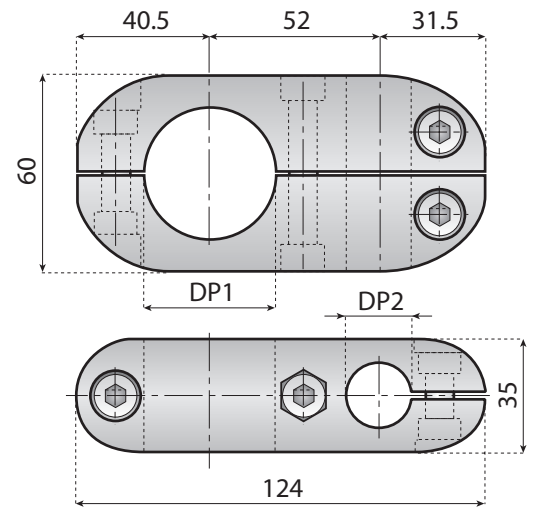
Supply: assembled.

Note: max recommended tightening torque 3 Kgm.



Code	DP1	DP2
13509	■ 40	● 20
13510	■ 40	■ 20
13511	■ 40	● 18 ■ 15
13512	■ 40	● 16
13513	■ 30	● 20
13514	■ 30	■ 20
13515	■ 30	● 18 ■ 15
13516	■ 30	● 16
13517	● 42.4	● 20
13518	● 42.4	■ 20
13519	● 42.4	● 18 ■ 15
13520	● 42.4	● 16
13521	● 38.1	● 20
13522	● 38.1	■ 20
13523	● 38.1	● 18 ■ 15
13524	● 38.1	● 16

n°50



EXTRA CROSS BLOCK WITH HANDLES

Material: cross block in reinforced polyamide, bolts and nut in stainless steel, adjustable handles in reinforced polyamide with insert in nickel plated brass.

Application: for use in areas where frequent adjusting is required for vertical movement.

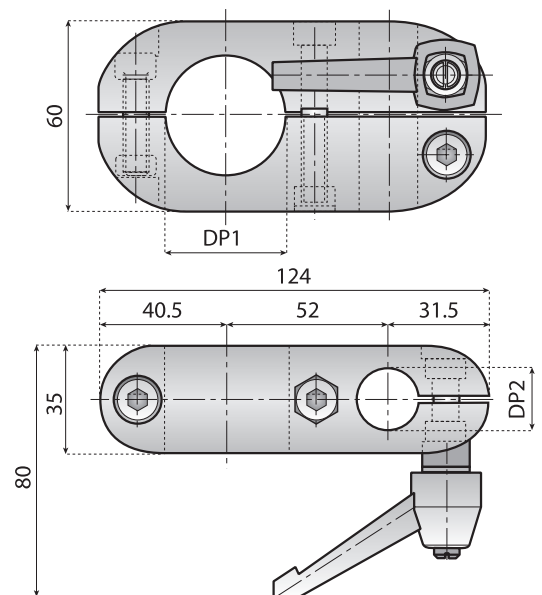
Supply: assembled.

Note: max recommended tightening torque 3 Kgm.



Code	DP1	DP2
13509V	■ 40	● 20
13510V	■ 40	■ 20
13511V	■ 40	● 18 ■ 15
13512V	■ 40	● 16
13513V	■ 30	● 20
13514V	■ 30	■ 20
13515V	■ 30	● 18 ■ 15
13516V	■ 30	● 16
13517V	● 42.4	● 20
13518V	● 42.4	■ 20
13519V	● 42.4	● 18 ■ 15
13520V	● 42.4	● 16
13521V	● 38.1	● 20
13522V	● 38.1	■ 20
13523V	● 38.1	● 18 ■ 15
13524V	● 38.1	● 16

n°50



EXTRA CROSS BLOCK

 Preferred type, readily available (codes marked in red)



AISI 304
Stainless steel



Nickel plated brass



Reinforced polyamide



Accessories

EXTRA CROSS BLOCK WITH HANDLES

Material: cross block in reinforced polyamide, bolts and nut in stainless steel, adjustable handles in reinforced polyamide with insert in nickel plated brass.

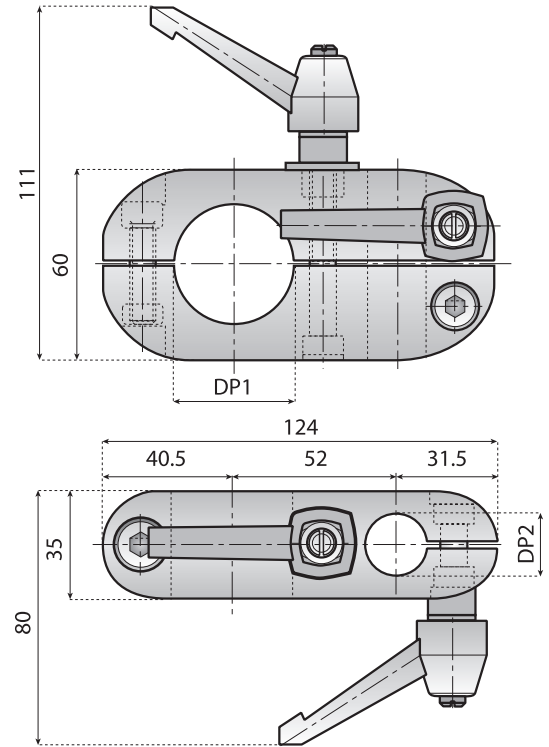
Applications: for use in areas where frequent adjusting is required for horizontal and vertical movement.

Supply: assembled.

Note: max recommended tightening torque 3 Kgm.



Code	DP1	DP2	
13509HV	■ 40	● 20	
13510HV	■ 40	■ 20	
13511HV	■ 40	● 18	■ 15
13512HV	■ 40	● 16	
13513HV	■ 30	● 20	
13514HV	■ 30	■ 20	
13515HV	■ 30	● 18	■ 15
13516HV	■ 30	● 16	
13517HV	● 42.4	● 20	n°50
13518HV	● 42.4	■ 20	
13519HV	● 42.4	● 18	■ 15
13520HV	● 42.4	● 16	
13521HV	● 38.1	● 20	
13522HV	● 38.1	■ 20	
13523HV	● 38.1	● 18	■ 15
13524HV	● 38.1	● 16	



EXTRA CROSS BLOCK WITH HANDLES

Material: cross block in reinforced polyamide, bolts and nut in stainless steel, adjustable handles in reinforced polyamide with insert in nickel plated brass.

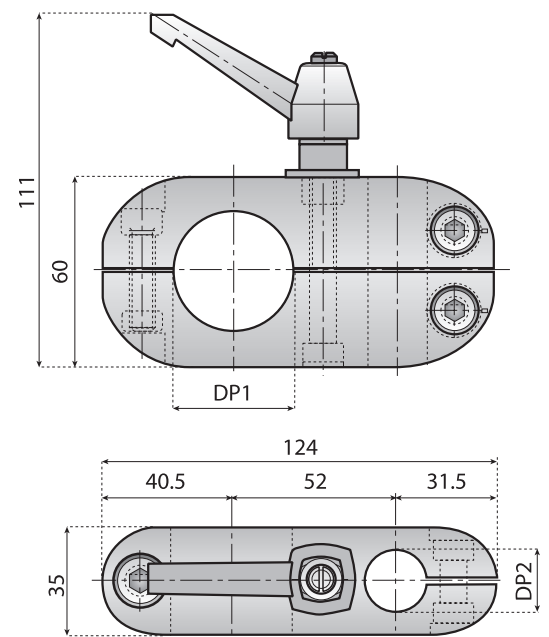
Applications: for use in areas where frequent adjusting is required for horizontal and vertical movement.

Supply: assembled.

Note: max recommended tightening torque 3 Kgm.



Code	DF 1	DF 2	
13509H	■ 40	● 20	
13510H	■ 40	■ 20	
13511H	■ 40	● 18-	■ 15
13512H	■ 40	● 16	
13513H	■ 30	● 20	
13514H	■ 30	■ 20	
13515H	■ 30	● 18-	■ 15
13516H	■ 30	● 16	
13517H	● 42.4	● 20	n°50
13518H	● 42.4	■ 20	
13519H	● 42.4	● 18-	■ 15
13520H	● 42.4	● 16	
13521H	● 38.1	● 20	
13522H	● 38.1	■ 20	
13523H	● 38.1	● 18-	■ 15
13524H	● 38.1	● 16	



 Preferred type, readily available (codes marked in red)



AISI 304
Stainless steel



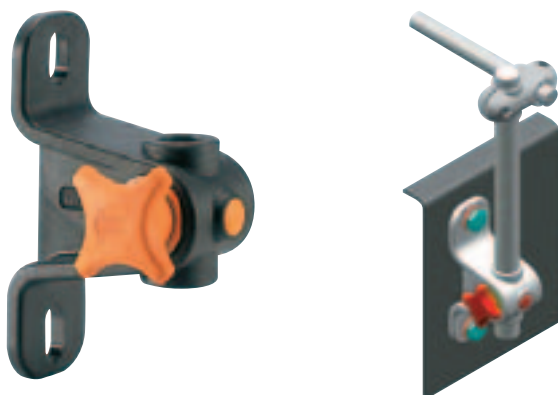
Nickel plated brass



Reinforced polyamide



Accessories



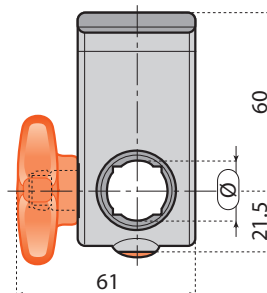
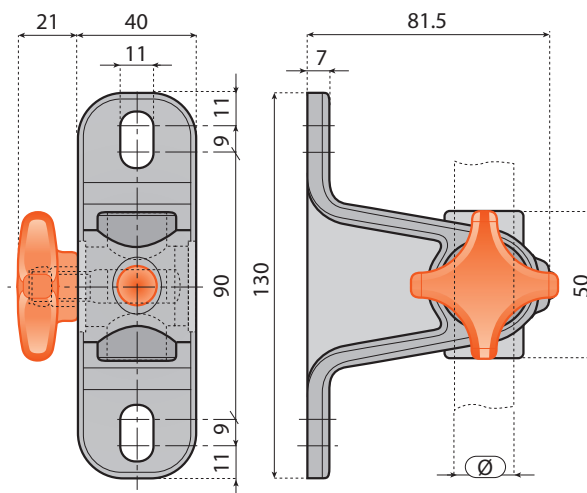
BRACKET WITH HAND KNOB (Hand knob/eyelet does not mark rod surface)


Material: bracket in reinforced polyamide, eyelet in metal, knob in polyamide with bushing insert in nickel plated brass, washer in stainless steel.

Features: knob fastening provides holding and positioning for many rods.

Heavy duty construction for increased strength and rigidity.

Supply: assembled.



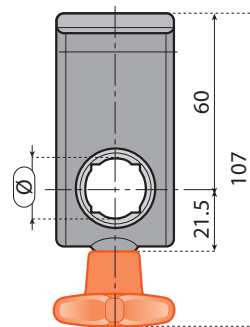
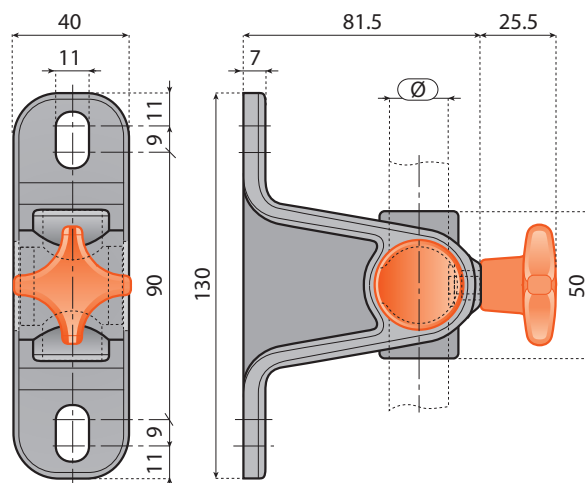
Code	For rod \emptyset (mm)		
	●	■	
13231	14	12	n°50
13232	15	-	
13233	16	14	
13234	18	-	
13235	20	16	




BRACKET WITH SCREW OR HAND KNOB

Material: bracket in reinforced polyamide, stainless steel screw, knob in polyamide with threaded insert in stainless steel.

Supply: assembled.



Code	with screw	with knob	For rod \emptyset (mm)		
			●	■	
13236	13237		14	12	n°50
13238	13239		15	-	
13240	13241		16	14	
13242	13243		18	-	
13244	13245		20	16	

UNIVERSAL CLAMP FOR PHOTOCELLS OR REFLECTORS

 Preferred type, readily available (codes marked in red)



AISI 304
Stainless steel



Nickel plated brass



Reinforced polyamide



Accessories



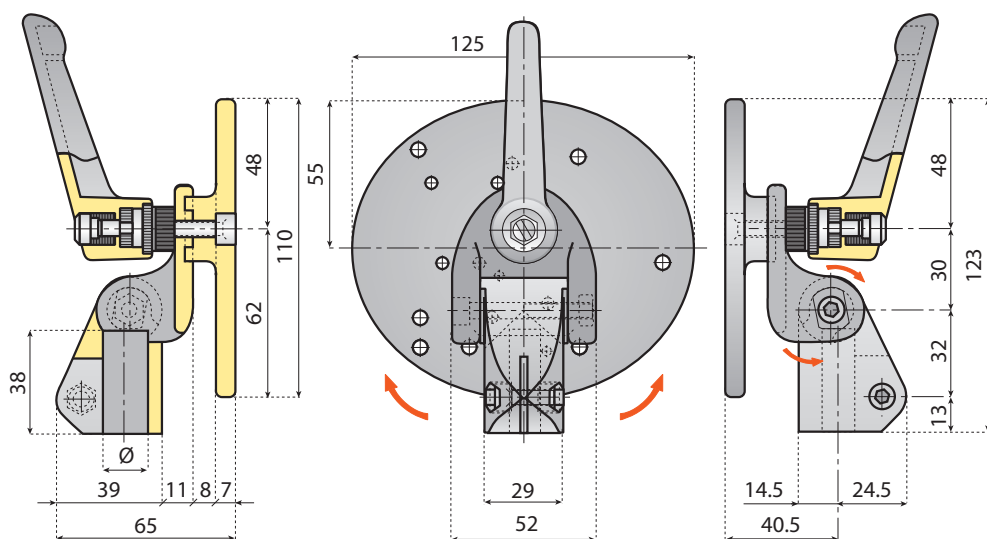
Movement on the three axis

UNIVERSAL CLAMP WITH ADJUSTABLE HANDLE FOR PHOTOCELLS OR REFLECTORS

Material: clamp in reinforced polyamide, tightening bolt in stainless steel, adjustable handle in polyamide with threaded insert in nickel plated brass.

Supply: assembled.

Note: max recommended tightening torque 2 Kgm.



Code

Code	For rod (mm)	
13616	14	
13617	15	
13618	16	n°50
13619	18	
13620	20	



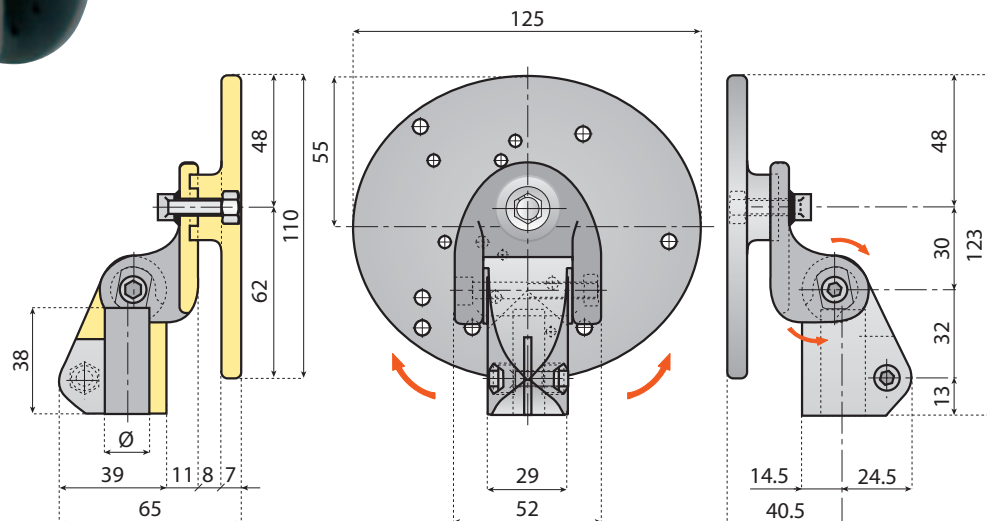
Movement on the three axis

UNIVERSAL CLAMP FOR PHOTOCELLS OR REFLECTORS

Material: clamp in reinforced polyamide, tightening bolt in stainless steel.

Supply: assembled.

Note: max recommended tightening torque 2 Kgm.



Code

Code	For rod (mm)	
13616	14	
13617	15	
13618	16	n°50
13619	18	
13620	20	

SUITABLE PHOTOCELL TYPES



AISI 304
Stainless steel

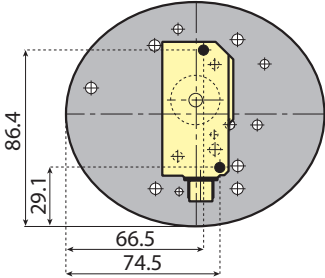


Reinforced
polyamide

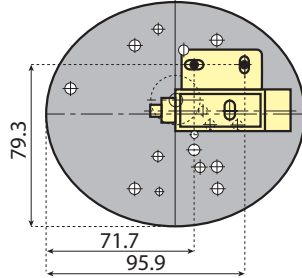


Accessories

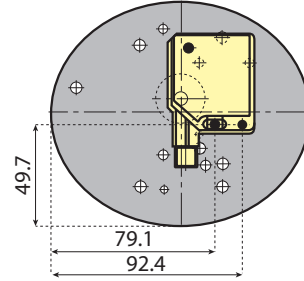
PRK 95 LEUZE



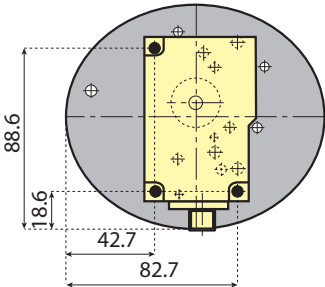
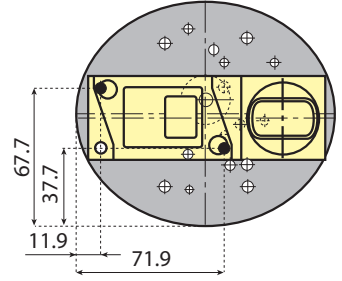
OMRON E3S-DS30B



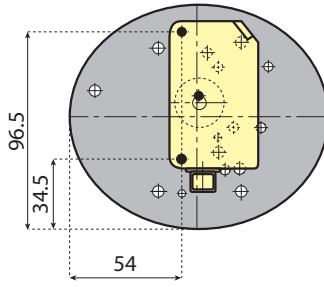
WT12 SICK



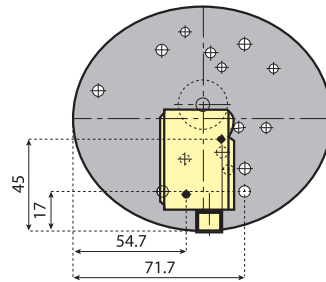
OMRON E3N-R5H4



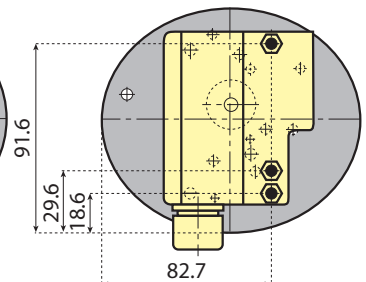
WT27 SICK-WL27 SICK



PRK 46 LEUZE



PRK 18 LEUZE



PRK 46 LEUZE

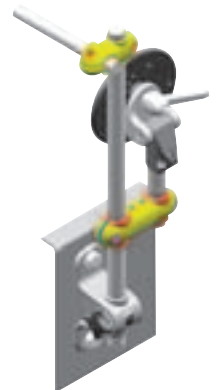


KIT UNIVERSAL CLAMP FOR PHOTOCELLS OR REFLECTORS WITH TUBE

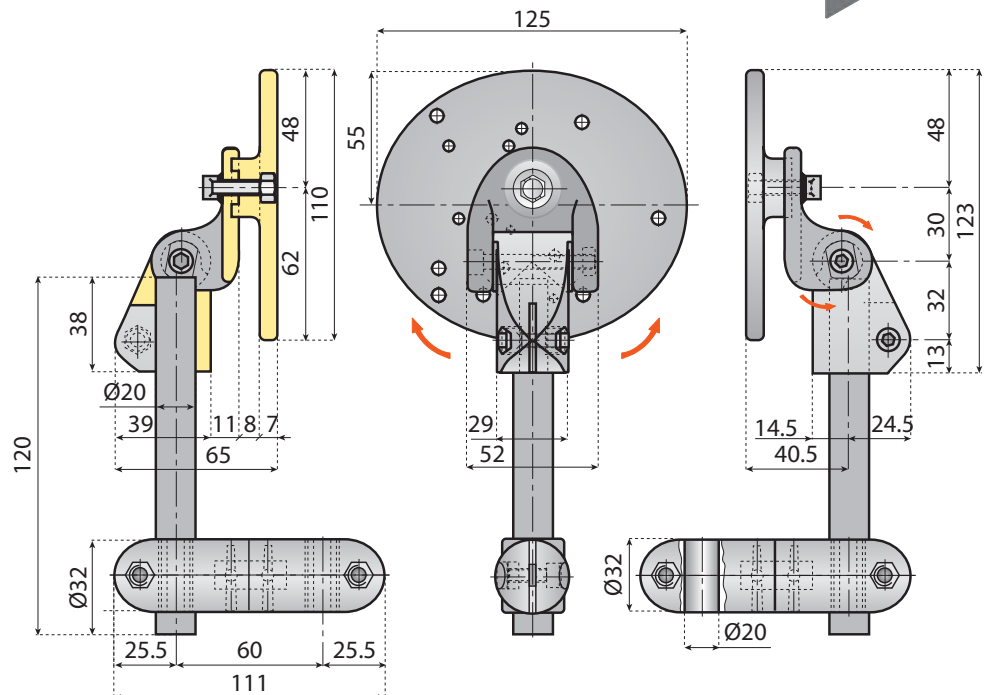
Material: cross clamp in reinforced polyamide, tightening bolt and tube in stainless steel.

Supply: assembled.

Note: max recommended tightening torque 2 Kgm.



Movement
on the
three axis



Code

13615



20



n°50

CLAMP FOR PHOTOCELLS OR REFLECTORS

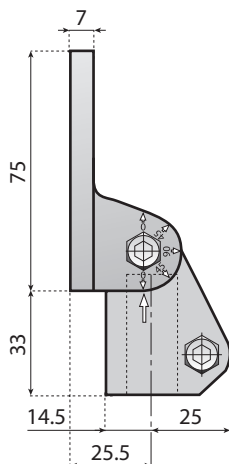
 Preferred type, readily available (codes marked in red)



AISI 304
Stainless steel



Reinforced
polyamide



Pos. A

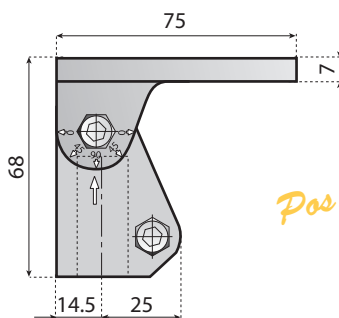
CLAMP FOR PHOTOCELLS OR REFLECTORS

Material: reinforced polyamide, tightening bolts in stainless steel AISI 304.

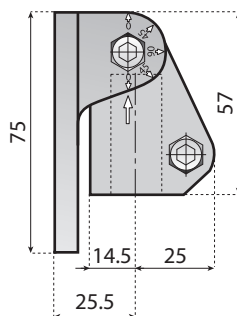
Use: can be fitted in position A - B - C

Supply: assembled, (position A).

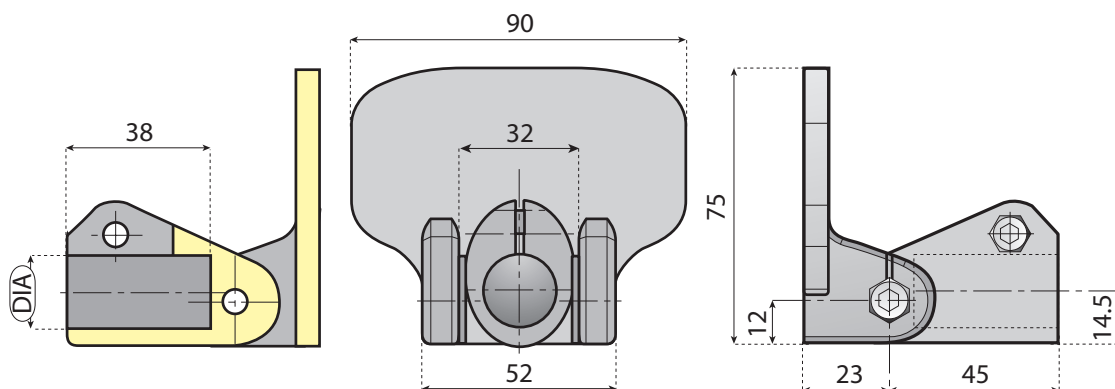
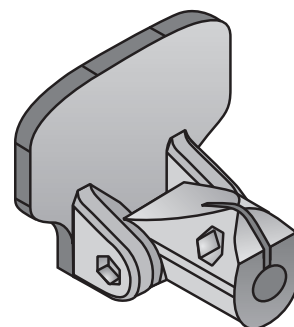
Code	For rod Ø (mm)	
13500	14	
13505	15	
13506	16	n°50
13507	18	
13508	20	



Pos. B



Pos. C



 Preferred type, readily available (codes marked in red)



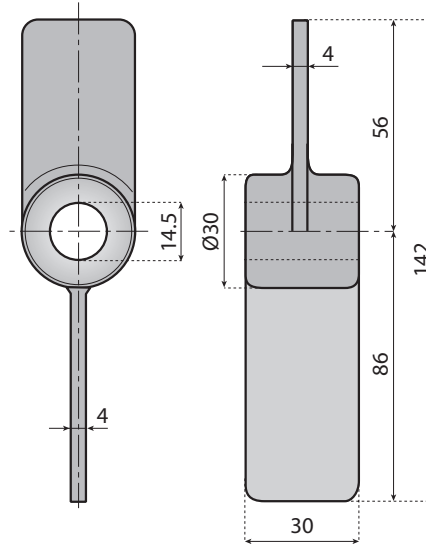
AISI 304
Stainless steel



Nickel plated brass



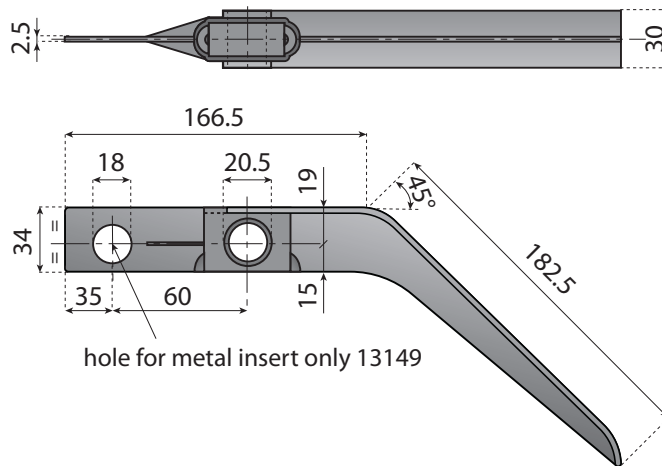
Reinforced polyamide



BOTTLE INDICATOR

Application: activation of photocells on conveyors and machines.

Code	Material	Box
13150	PA-FG	n°50



CONTROL CONTACT LEVER

Application: activation of photocells on conveyors and machines.

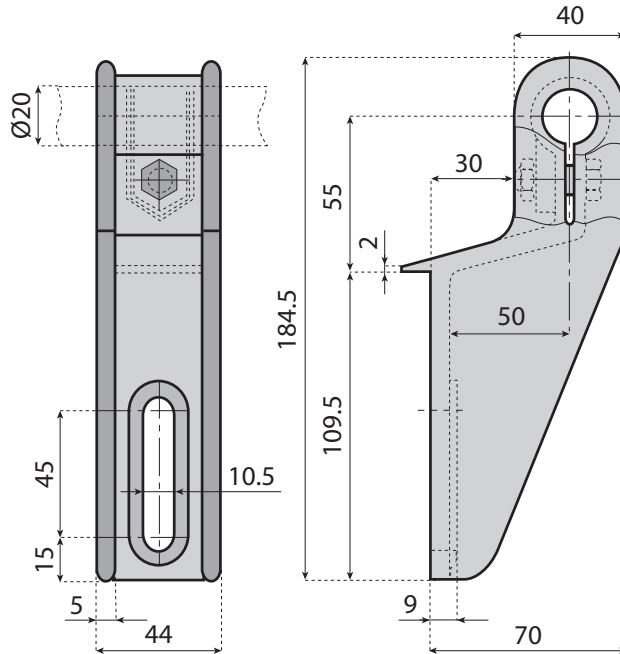
Code	Material	Box
13149	with hole	PA-FG n°50
13149SF	without hole	



AISI 304
Stainless steel



Reinforced
polyamide



SIDE BRACKET FOR HORIZONTAL TUBES

Material: bracket in reinforced polyamide, nut, bolt and washers in stainless steel AISI 304.

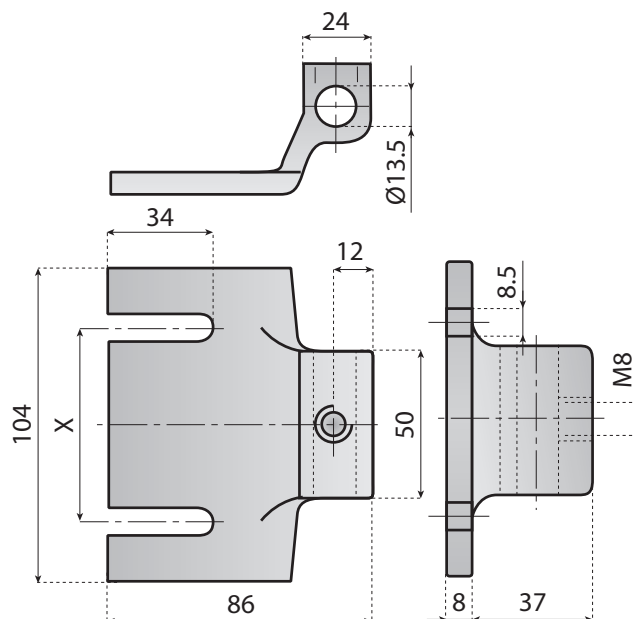
Supply: unassembled.

Code

13898



n°50



CLAMP BRACKET OVER HEAD

Material: bracket in reinforced polyamide, threaded bushing in nickel plated brass.

Code

13846
13899

X

55
64.5



n°50

SPLIT SHAFTING COLLARS

 Preferred type, readily available (codes marked in red)



AISI 304
Stainless steel



Nickel plated brass



Reinforced
polyamide

SPLIT SHAFTING COLLAR

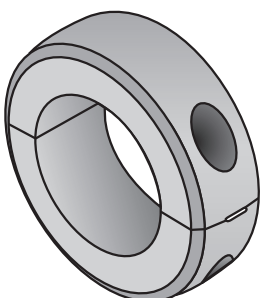
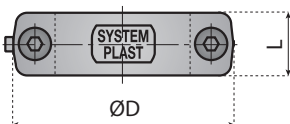
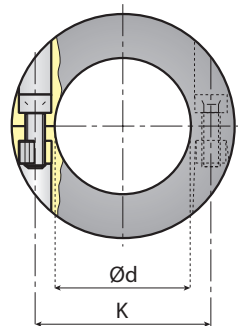
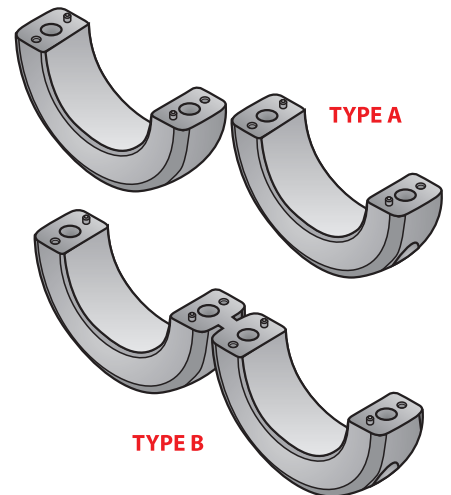
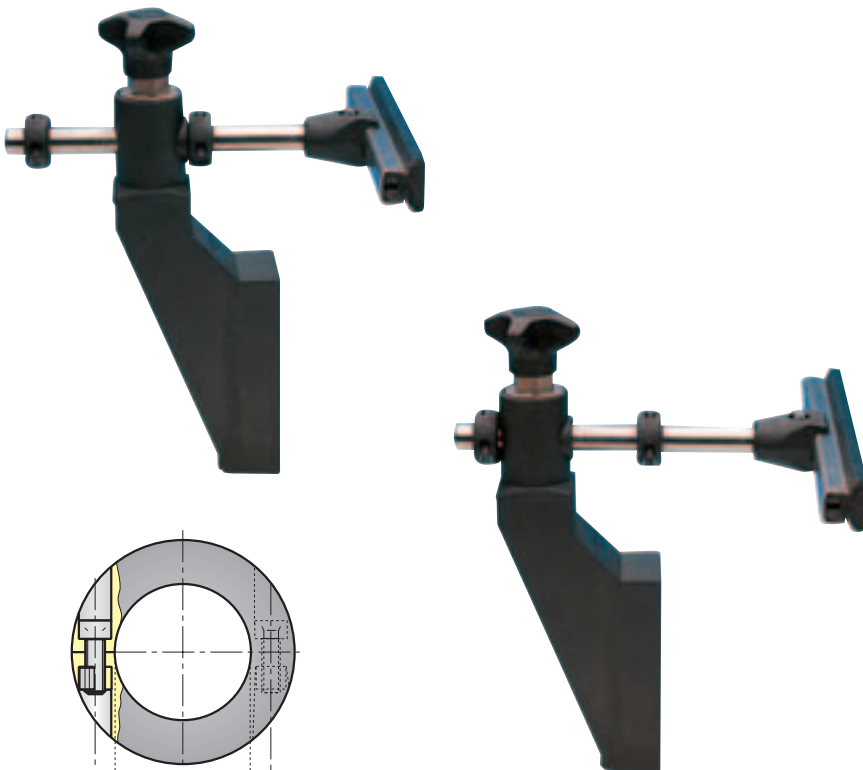
Material: reinforced polyamide, bolts in stainless steel, threaded insert in nickel plated brass.

Use: these parts can be used on the conveyors as a reference point when the side guides need to be repositioned.

Note: The new collars offer high corrosion resistance. The new part exhibits high strength at considerably less cost than stainless steel.

The new collars are the ideal replacement for conventional al collars in situation where they cannot be easily removed and replaced.

Supply: assembled.



Code	Type	d	D	L	K	Screws	
12696	B	10	30	12	20	M3	
12698	A	12	30	12	20	M3	
12700	A	14	28	12	20	M3	
12697	B	15	39	14	27	M4	
12701	A	16	30	12	22	M3	
12699	A	18	39	14	27	M4	
12702	A	20	39	14	29	M4	n°100
12703	A	25	44	14	34	M4	
12704	A	30	49	16	39	M4	
12714	B	30	49	14	39	M4	
12705	A	35	56	16	45	M4	
12706	A	40	64	18	51.5	M5	
12715	B	40	64	14	51.5	M4	

SPLIT SHAFTING COLLARS FOR SHAFT WITH KEYWAY

 Preferred type, readily available (codes marked in red)



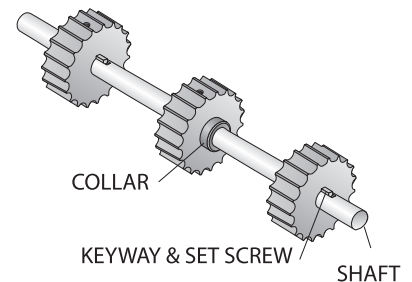
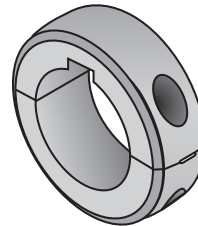
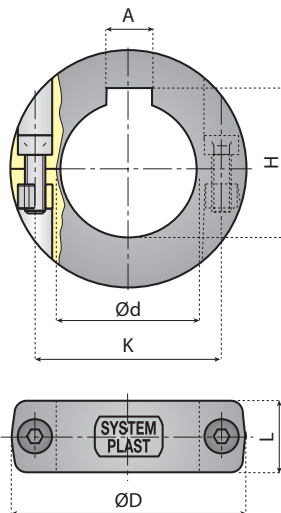
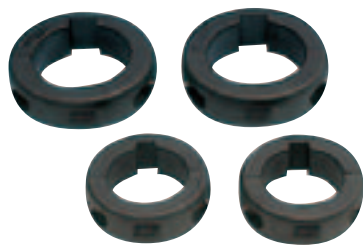
AISI 304
Stainless steel



Nickel plated brass



Reinforced
polyamide



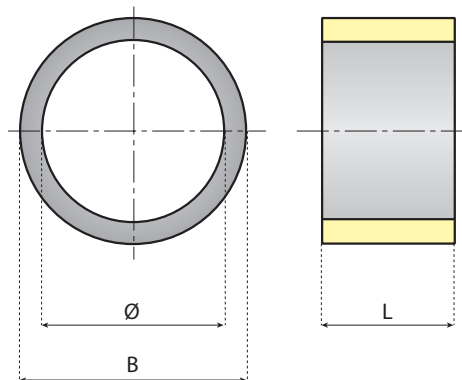
SPLIT SHAFTING COLLAR

Material: reinforced polyamide, screws in stainless steel, threaded insert in nickel plated brass.

Use: for shaft with key way.

Supply: assembled.

Code	d	D	A	H	L	K	Screws
12710	25	45	8	P9 28.3 ^{+0.2} ₀	14	34	M4
12709	30	50	8	P9 33.3 ^{+0.2} ₀	16	39	M4
12708	35	57	10	P9 38.3 ^{+0.2} ₀	16	45	M4
12707	40	64	12	P9 43.3 ^{+0.2} ₀	18	51.5	M5



Code	For shaft Ø	B	L	Material
12829	30	40	29	n°50
12830	40	50	29	PA

IDLER SPACER

SQUARE SPLIT SHAFTING COLLARS



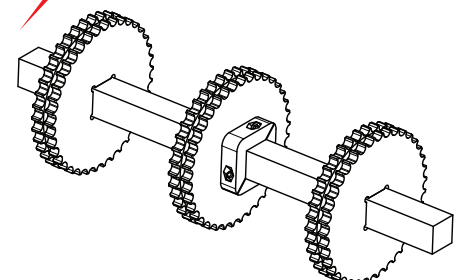
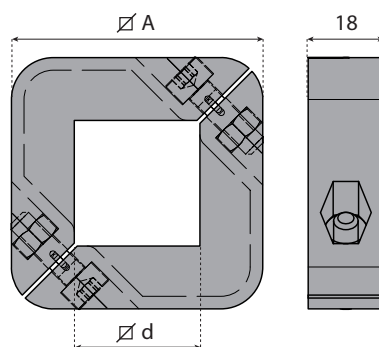
AISI 304
Stainless steel



Nickel plated brass



Reinforced
polyamide



SQUARE SPLIT SHAFTING COLLAR

Material: reinforced polyamide, screws in stainless steel, threaded insert in nickel plated brass.

Use: for square shaft.

Supply: assembled.

Code	Ø d	Ø A
12974	30x30	60x60
12975	40x40	72x72
12976	60x60	95x95
12977	1.¼" x 1.¼"	60x60
12978	1.½" x 1.½"	72x72
12979	2" x 2"	95x95



Miscellaneous components

HINGES

 Preferred type, readily available (codes marked in red)



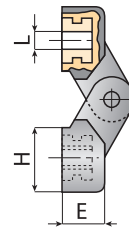
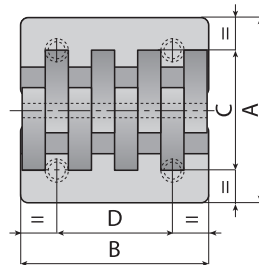
AISI 430
Stainless steel



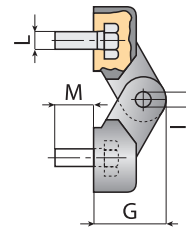
Nickel plated brass



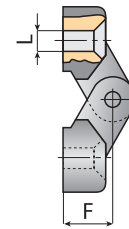
Reinforced polyamide



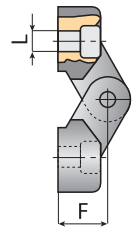
TYPE 1



TYPE 2



TYPE 3



TYPE 4

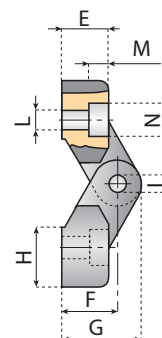
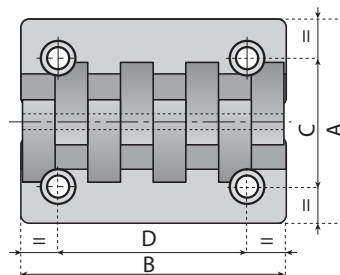
HINGE

Material: reinforced polyamide, pin and screw in stainless steel AISI 430, threaded insert in brass.

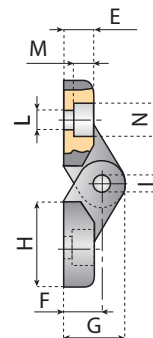
Notes: door can be opened up to 180°.

Supply: assembled.

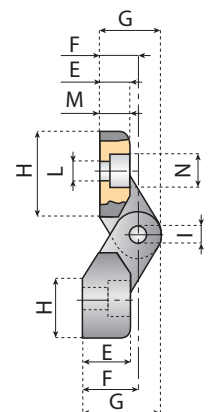
Code	Type	A	B	C	D	E	F	G	H	I	L	M	
40081	1											M4	•
40079	1											M5	•
40080	2	39	40	25	25	10	10.5	15	14	3	M4	14	n°50
40018	3										4.2	•	
40070	4										4.2	•	
40078	4										5.5	•	
40012	1										M5	•	
40009	1										M6	•	
40015	2	49	49	31	30	11	13	19	17	4	M5	14	n°50
40019	3										5.5	•	
40031	4										5.5	•	
40067	1										M5	•	
40013	1										M6	•	
40069	1	64	65	40	40	13.5	15	23	24	5	M8	•	n°50
40016	2										M6	17	n°50
40020	3										6.5	•	
40068	4										6.5	•	



TYPE 1



TYPE 2



TYPE 3

HINGE

Material: reinforced polyamide, pin in stainless steel AISI 430.

Notes: door can be opened up to 180°.

Supply: assembled.

Code		Type	A	B	C	D	E	F	G	H	I	L	M	N	
Black	Grey														
14112	14112G	2					11.5	14.5	23.5	11.5		6.5	6	10.5	
14113	14113G	1					18	21	30	18		6.5	6	10.5	
14106	14106G	2	80	102	49.5	72.5	11.5	14.5	23.5	11.5	6	8.5	8	13.5	n°50
14107	14107G	1					18	21	30	11.5		8.5	8	13.5	
14136	14136G	3					11.5/18	14.5/21	23.5/30	18		6.5	6	10.5	
14137	14137G	3					11.5/18	14.5/21	23.5/30	11.5/18		8.5	8	13.5	

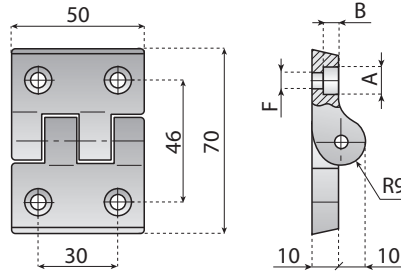
Preferred type, readily available (codes marked in red)



AISI 430
Stainless steel

Nickel plated brass

Reinforced polyamide



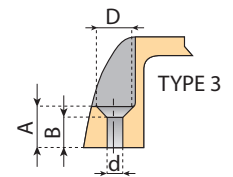
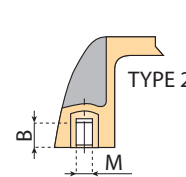
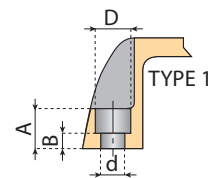
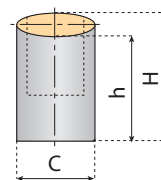
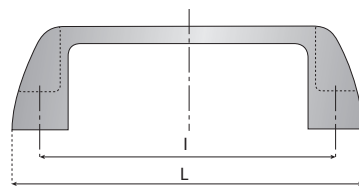
HINGE

Material: reinforced polyamide, pin in stainless steel AISI 430.

Note: door can be opened up to 180°.

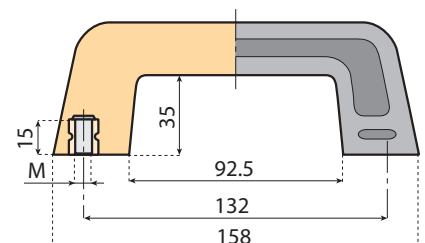
Supply: assembled.

Code	F	A	B	
14104	6.5	10.5	6	n°50
14105	8.5	13.5	4	



HANDLE

Code	Type	I mm	L mm	C mm	H mm	h mm	A mm	B mm	D mm	d mm	M mm		Material	
14121	1	93.5	112	21	36	30	13	6	10.5	6.5	-			
14124	2	93.5	112	21	36	30	-	9	-	-	M6			
14122	1	117	139	26	41	34	15	8.5	10.5	6.5	-			
14123	1	117	139	26	41	34	15	6	13	8.5	-			
14125	2	117	139	26	41	34	-	9	-	-	M6			
14126	2	117	139	26	41	34	-	9	-	-	M8			
14131	1	120	139	26	41	34	10	5	9	5.5	-	n°50	PA-FG	Black
14130	1	120	139	26	41	34	10	4	10.5	6.5	-			
14132	2	120	139	26	41	34	-	8	-	-	M5			
14133	2	120	139	26	41	34	-	9	-	-	M6			
14128	3	120	139	26	41	34	10	8	9	5	-			
14129	3	120	139	26	41	34	10	7	10.5	5.5	-			



HANDLE

Material: reinforced polyamide, threaded insert in brass.

Code	M		
14118	8	n°50	Black
14119	10		

HANDLES

 Preferred type, readily available (codes marked in red)



Nickel plated brass





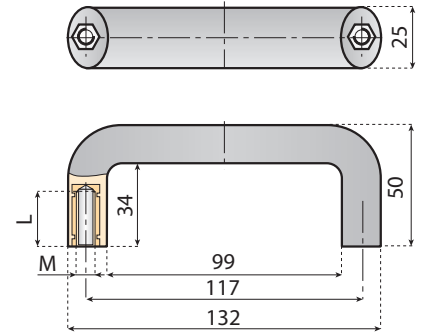
Reinforced polyamide



HANDLE



Material: polyamide, threaded insert in brass.

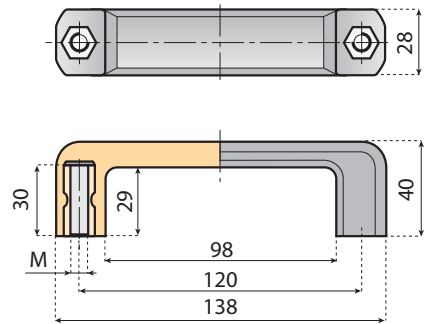
Code	M		
14140	6		
14141	8	n°50	Black
14142	10		



HANDLE




Material: polyamide, threaded insert in brass.

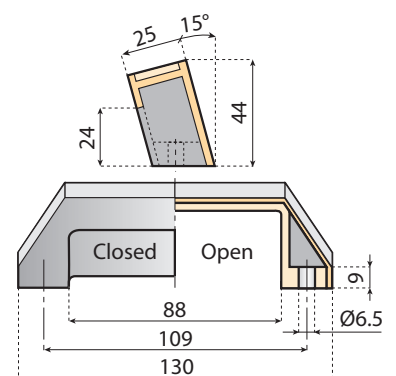
Code	M		
14115	6		
14116	8	n°50	Black
14117	10		



SAFETY HANDLE WITH COVER

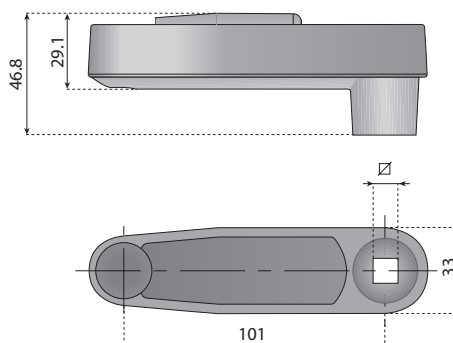
Application: with screws M5.

Code	Type	Colour			
14114	Closed	Orange			Black and Orange
14114G	Closed	Grey			Black and Gray
14135	Open	Orange	n°50	PA-FG	Black and Orange
14135G	Open	Grey			Black and Gray



CRANK HANDLES

 Preferred type, readily available (codes marked in red)






Reinforced polyamide

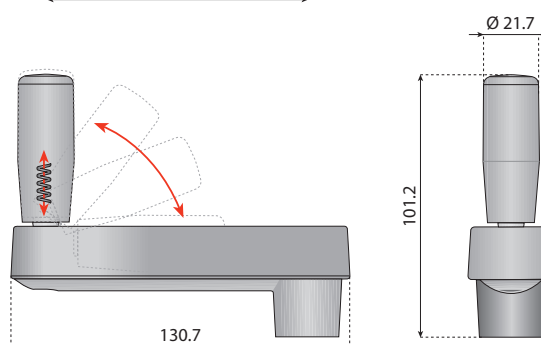


Stainless steel

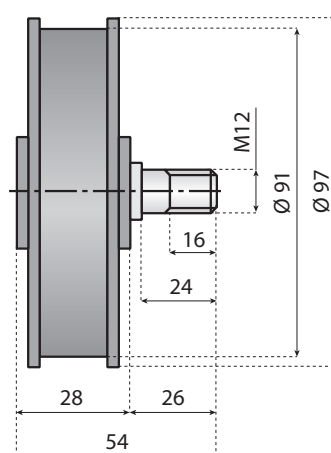
Crack Handles

Material: Reinforced polyamide, threaded insert in stainless steel.

Code			Material	
14160	8x8	50	PA-FV	Black
14161	10x10			



WINDING TENSIONER



Steel plated brass





Reinforced polyamide



304 Stainless steel

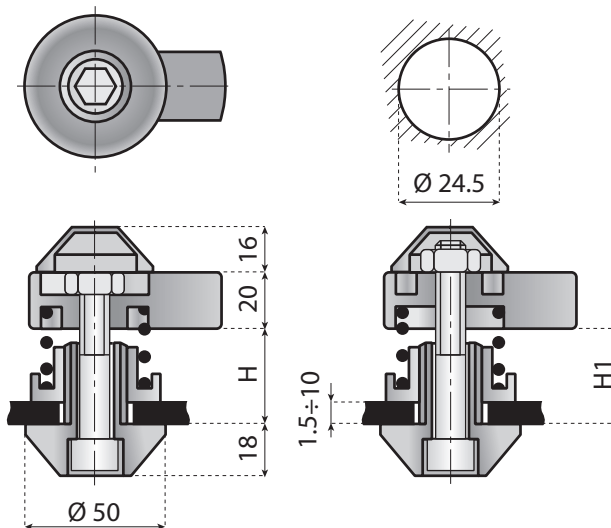
Winding tensioner

Material: body in reinforced polyamide insert see in the table.

Code		Version Standard	Version with grease	Insert Material	Direction of travel	Load gr.	Winding Trave		
14280	14280G			Steel plated brass	Right	0 ÷ 4000	2500	n°10	Black
14281	14281G			Steel plated brass	Left	0 ÷ 4000	2500	n°10	Black
14280-SS	14280G-SS			Stainless steel	Right	0 ÷ 4000	2500	n°10	Black
14281-SS	14281G-SS			Stainless steel	Left	0 ÷ 4000	2500	n°10	Black

LOCK

 Preferred type, readily available (codes marked in red)



Assembly n°1

Assembly n°2

Lock

Material: body and safety cap in reinforced polyamide, screw, nut and spring in stainless steel AISI 304.

Application: closure of doors.

Assembly: assembly lock as shown in assembly drawing number 1, when the dimension H is suitable for assembly distance between 30-36 mm. When the distance H1 is between 23-28 mm, follow assembly procedure drawing number 2.

Supply: unassembled.

H = 30 ÷ 36 (min. - max)

H1 = 23 ÷ 28 (min. - max)

Code

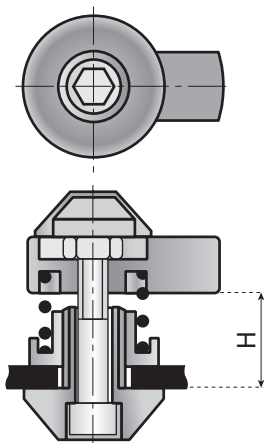
14290



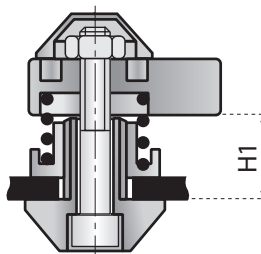
n°10

ASSEMBLING INSTRUCTION FOR THE LOCK

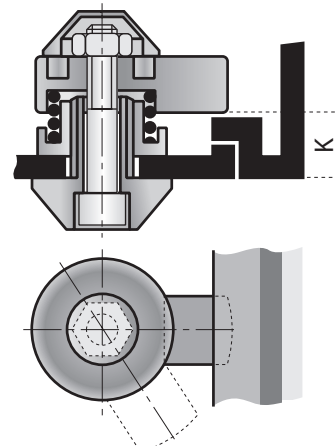
Assemble lock as shown in assembly n°1 when the size "K" is between 30 (min.) and 36 mm (max), when the size "K" is between 23 (min.) and 28 mm (max) follow assembly procedure n°2.



Assembly n°1



Assembly n°2

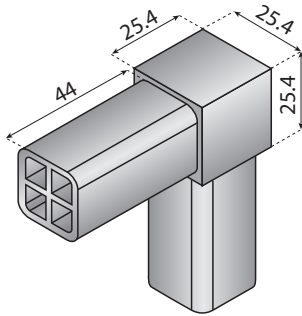




Reinforced polyamide

Preferred type, readily available (codes marked in red)

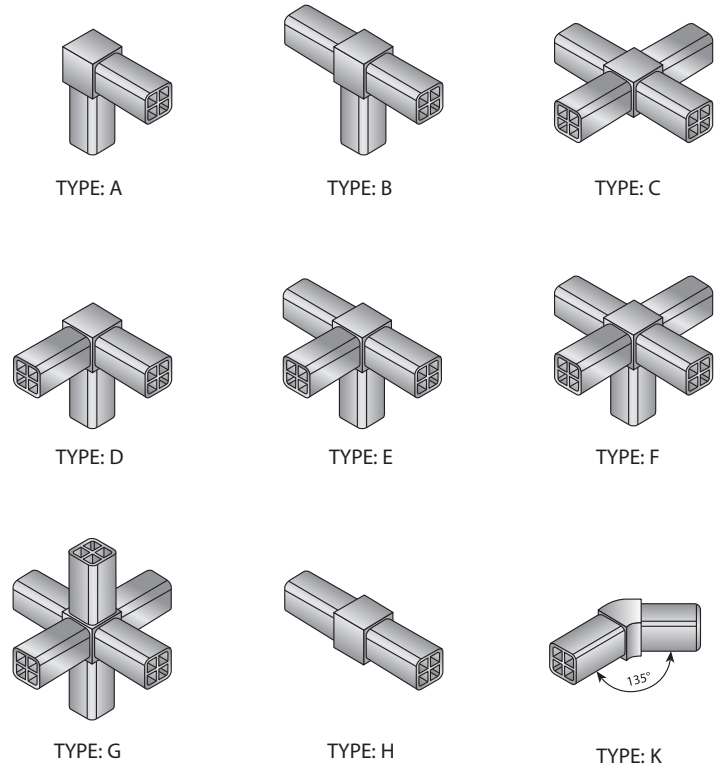
FOR TUBES 25 x 25 x 1,5 mm



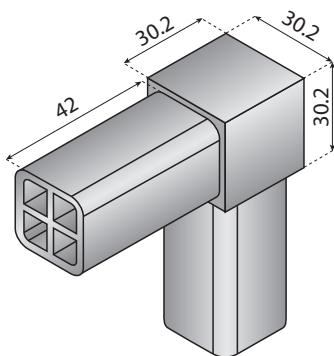
Code	Type		Material	
40001	A			
40002	B	-	PA-FG	Black
40003	C			
40004	D			
40005	E	-	PA-FG	Black
40006	F			
40007	G			
40008	H	-	PA-FG	Black
40035	K			

Application:

joins can be used with square tubes 25x25x1,5 mm.



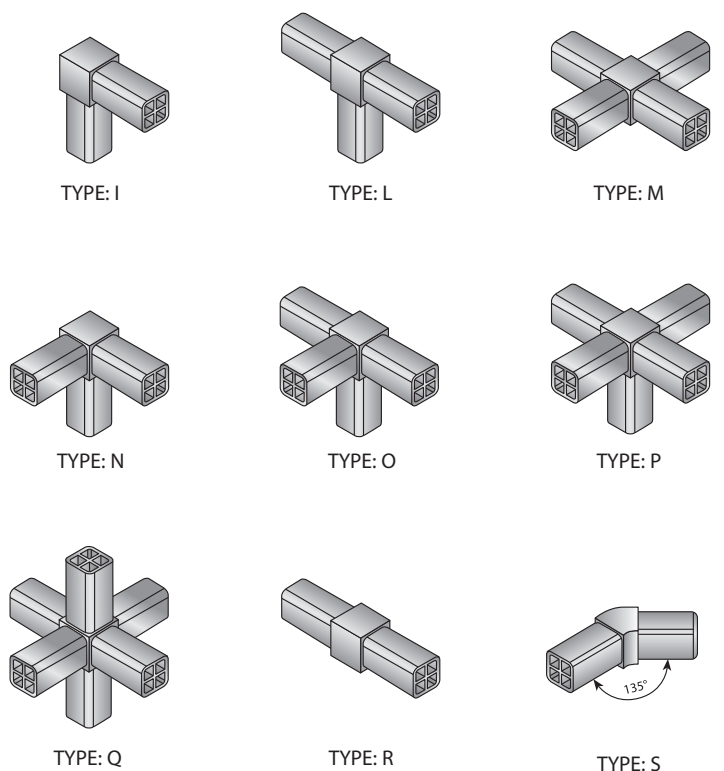
FOR TUBES 30 x 30 x 2 mm



Code	Type		Material	
40022	I			
40023	L	-	PA-FG	Black
40024	M			
40025	N			
40026	O	-	PA-FG	Black
40027	P			
40028	Q			
40029	R	-	PA-FG	Black
40036	S			

Application:

joins can be used with square tubes 30x30x2 mm.



CONNECTING JOINTS WITH ALUMINIUM INSERT

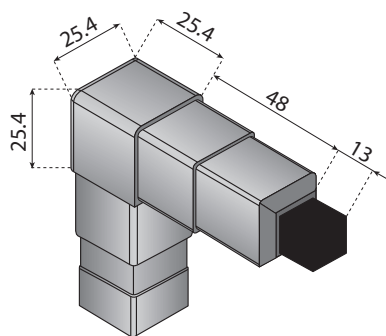
 Preferred type, readily available (codes marked in red)



Reinforced polyamide

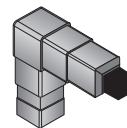


Aluminium

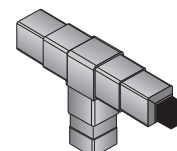


Heavy Duty System

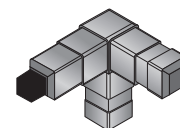
FOR TUBES 25 x 25 x 1,2 mm



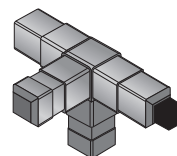
TYPE: AI



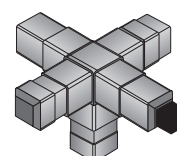
TYPE: BI





TYPE: DI



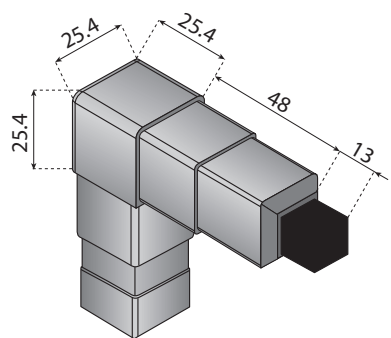
TYPE: EI



TYPE: FI

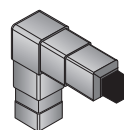
Code	Type		
40037	AI	n°50	Black
40038	BI		
40039	DI		
40047	EI		
40058	FI		

Material: reinforced polyamide with aluminium insert.
Application: joints can be used with square tubes 25x25x1,2 mm.

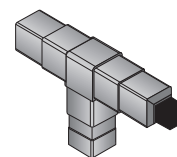


Heavy Duty System

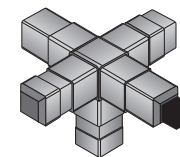
FOR TUBES 25 x 25 x 1,5 mm



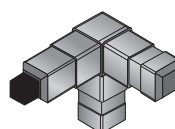
TYPE: II



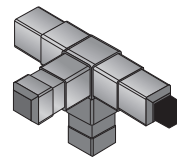
TYPE: LI





TYPE: MI



TYPE: NI



TYPE: OI

Code	Type		
40043	II	n°50	Black
40044	LI		
40046	MI		
40045	NI		
40066	OI		

Material: reinforced polyamide with aluminium insert.
Application: joints can be used with square tubes 25x25x1,5 mm.

Preferred type, readily available (codes marked in red)



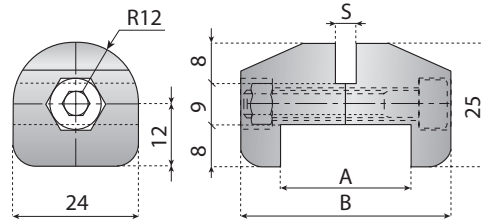
AISI 304
Stainless steel



P.V.C.



Reinforced
polyamide



PANEL CLAMPS

Material: reinforced polyamide with stainless steel bolt.

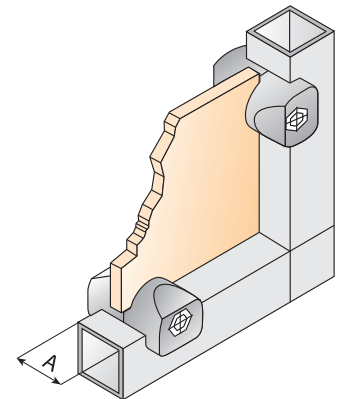
Application: panel clamp permits rapid installation of panels.

The distance of 8 mm. between the panel and the frame simplifies the safety guard cleaning.

It can be used with panels thickness 1.5 - 4 - 5 - 6 mm.

Code	Tube	A	B	*S		
40055	25x25	25	40	1.5 mm	n°50	Black
40051	25x25	25	40	4 mm		
40052	25x25	25	40	5 mm		
40053	25x25	25	40	6 mm		
40071	30x30	30	45	4 mm		
40072	30x30	30	45	5 mm		
40073	30x30	30	45	6 mm		

*S = Panel thickness

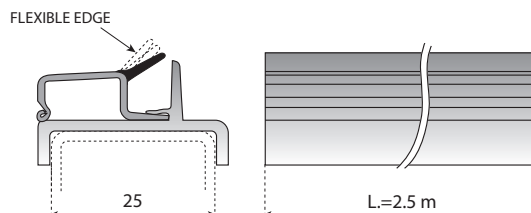


PROFILE FOR PLAIN TUBES

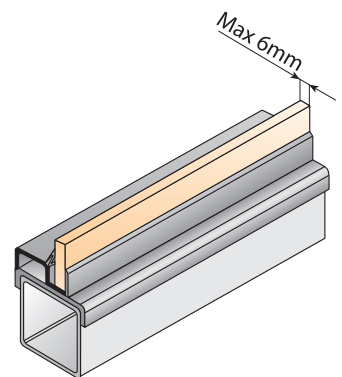
Material: rigid - flexible P.V.C.

Application: this profile can be used with plain tubes 25x25 mm in different materials.

If used for the mount panels and windows it offers the possibility to remove the panels without disassembling the complete structure, thanks to the special profile in PVC, partially rigid and partially flexible.



Code			
40064	2.5 m	n°10	Black



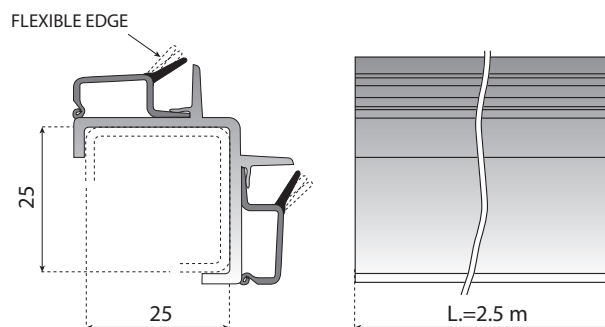
PROFILE FOR PLAIN TUBES

Material: rigid - flexible P.V.C.

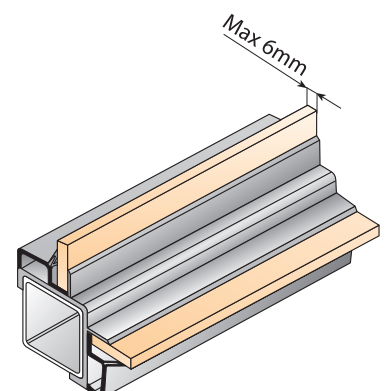
Colour: black.

Application: this profile can be used with plain tubes 25x25 mm in different materials.

If used for the mount panels and windows it offers the possibility to remove the panels without disassembling the complete structure, thanks to the special profile in PVC, partially rigid and partially flexible.



Code			
40065	2.5 m	n°10	Black



FIXING PROFILES



P.V.C.

Preferred type, readily available (codes marked in red)

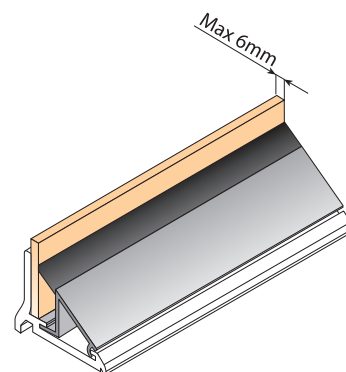
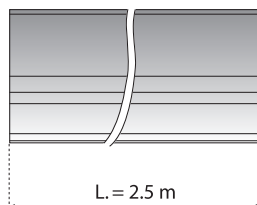
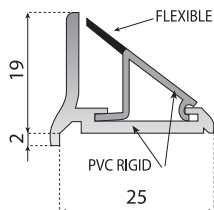
PROFILE FOR PLAIN TUBES

Material: rigid - flexible P.V.C.

Application: this profile can be used with plain tubes 25x25 mm in different materials.

If used for the mounting of panels and windows it offers the possibility to remove the panels without disassembling the complete structure, thanks to the special profile in PVC, partially rigid and partially flexible.

The special design of this section will accommodate panels of 3 - 4 - 5 - 6 mm.



Code

40048



2.5 m



n°10



Black

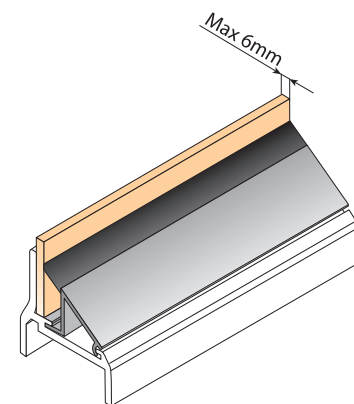
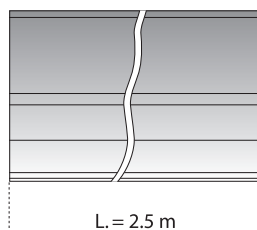
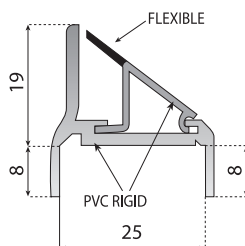
SYSTEM FRAME PROFILE FOR PLAIN TUBES

Material: rigid - flexible P.V.C.

Application: this profile can be used with plain tubes 25x25 mm in different materials.

If used for the mounting of panels and windows it offers the possibility to remove the panels without disassembling the complete structure, thanks to the special profile in PVC, partially rigid and partially flexible.

The special design of this section will accommodate panels of 3-4-5-6 mm.



Code

40049



2.5 m



n°10



Black

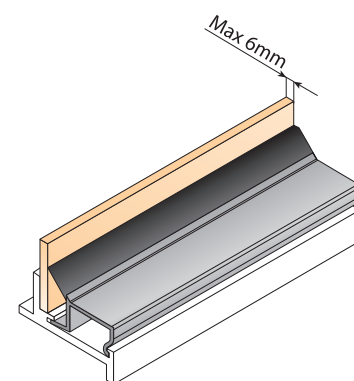
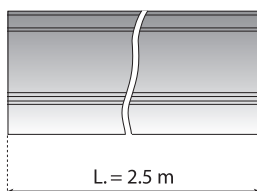
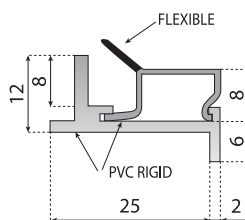
SYSTEM FRAME PROFILE FOR PLAIN TUBES

Material: rigid - flexible P.V.C.

Application: This profile can be used with plain tubes 25x25 mm or 30x30 mm in different materials.

If used for the mounting of panels and windows it offers the possibility to remove the panels without disassembling the complete structure, thanks to the special profile in PVC, partially rigid and partially flexible.

The special design of this section will accommodate panels of 3-4-5-6 mm.



Code

40056



2.5 m

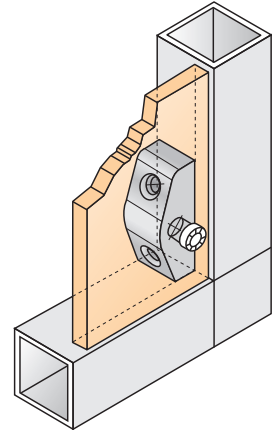
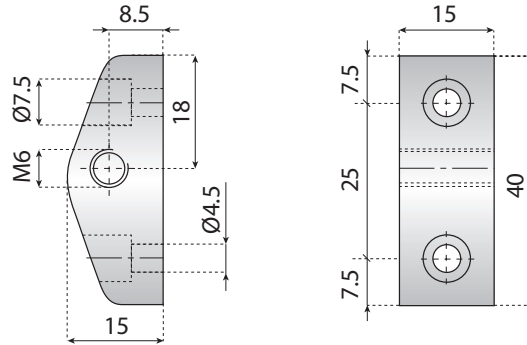


n°10







Black

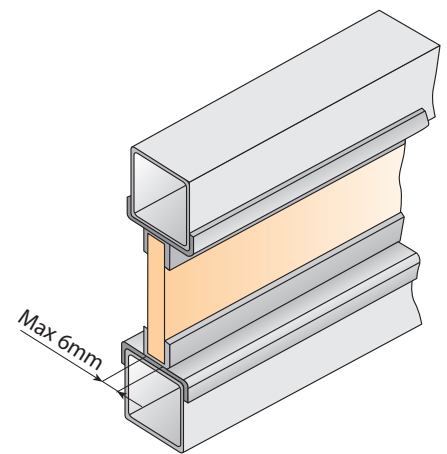
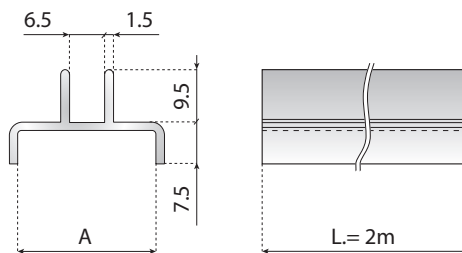
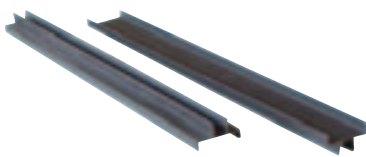
 Preferred type, readily available (codes marked in red)



FIXING BLOCK





Application: block permits rapid installation of the panels and can be used with panels of different thickness.
Supply: without screws.

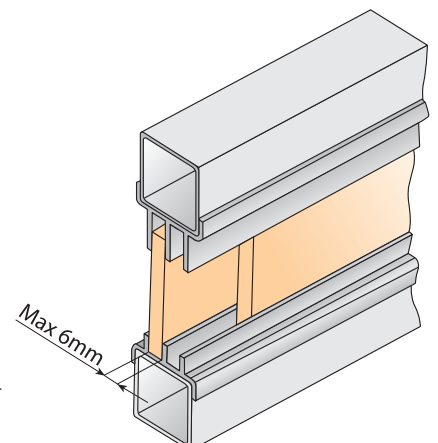
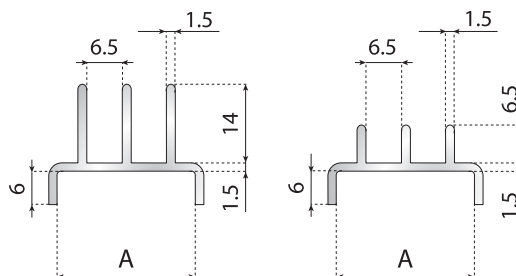
Code				
40060	2.5 m	n°10	PA-FG	Black



PROFILE FOR PLAIN TUBE





Application: this profile can be used with square tubes 25x25 mm or 30x30 mm in different materials.

Code	A				
40057	25	2 m	n°100	PE 1000	Black
40075	30				



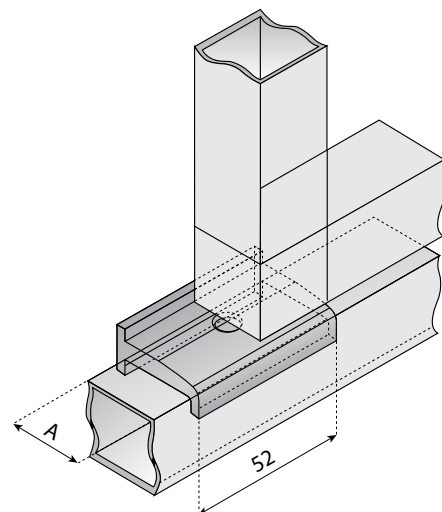
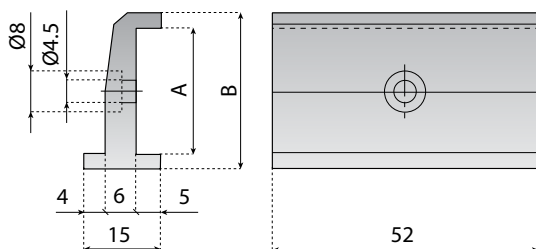
PROFILE FOR SLIDING PANELS

Application: this profile can be used with square tubes 25x25 mm or 30x30 mm in different materials. It is used for small sliding windows.
***Supply:** 2 m lengths in stock (1 upper and 1 lower profile).

Code	A				
40054	25	2 m*	n°10	PE 1000	Black
40076	30				



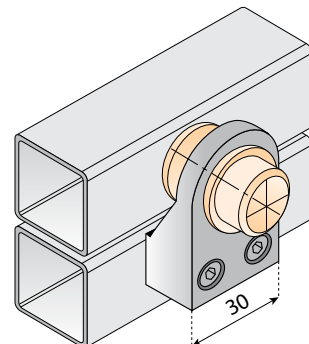
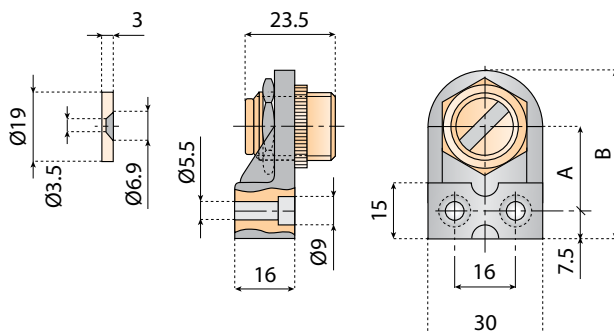
Preferred type, readily available (codes marked in red)



DOOR STOP

Application: door stop is normally used in order to support and position doors or windows of machine guards.

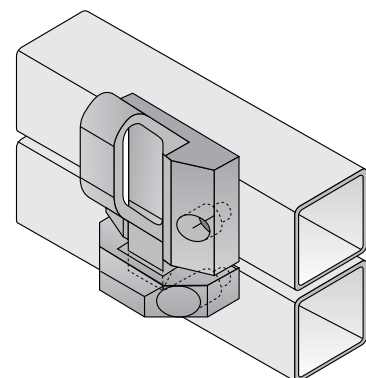
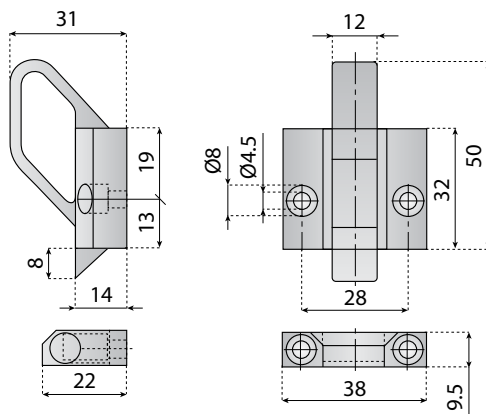
Code	A	B		Material	
40050	25	31	n°100	PA-FG	Black
40077	30	36			



MAGNETIC LOCK

Application: the magnetic lock guarantees rapid door locking. It is easy to install and can be used with various structures in different materials.

Code	A	B		Material	
14120	22.5	45	n°100	PA-FG	Black
14134	37	59.5			

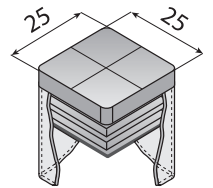
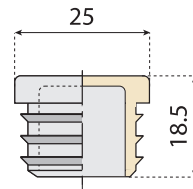
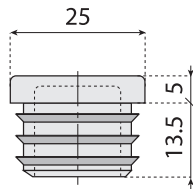


SPRING LOADED LATCH

Application: the latch guarantees a secure locking of doors and windows, and prevents the possibility of accidental opening.

Code		Material	
40059	n°100	PA-FG	Black

 Preferred type, readily available (codes marked in red)



CLOSING CAPS

Application: square tubes, dimensions 25x25x1.5 mm or 25x25x1.2 mm.

Code

40010



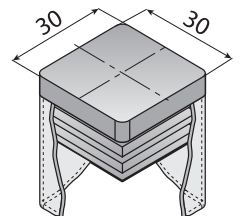
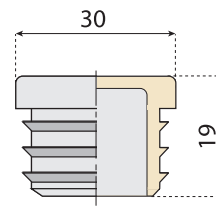
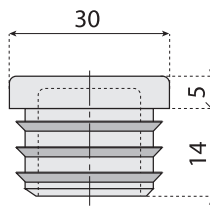
n°100



PE



Black



CLOSING CAPS

Application: square tubes, dimensions 30x30x2 mm.

Code

40030



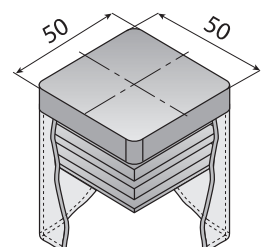
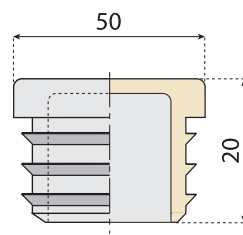
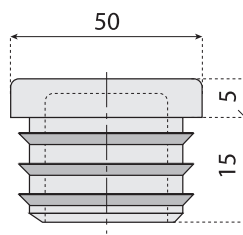
n°100



PE



Black



CLOSING CAPS

Application: square tubes, dimensions 50x50x2.5 mm.

Code

40011



n°100



PE

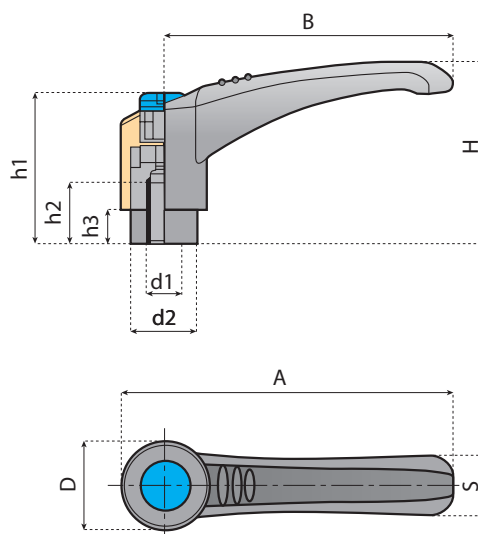


Black

ADJUSTABLE HANDLES

 Preferred type, readily available (codes marked in red)

New design



AISI 304
Stainless steel





Nickel plated brass

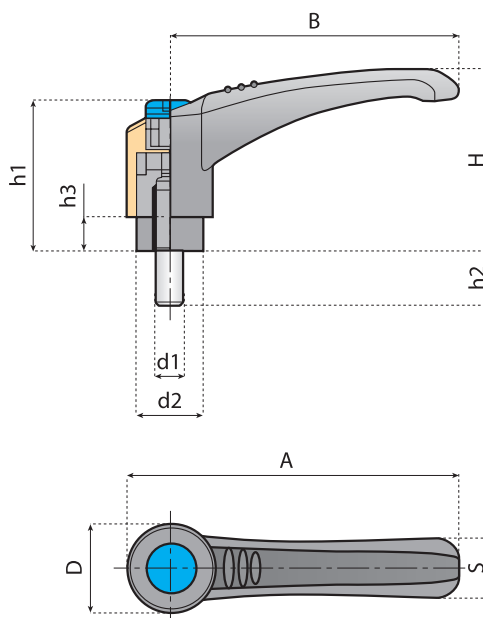


Polyamide

ADJUSTABLE HANDLE



Material: polyamide, insert in nickel plated brass.

Code	A	B	H	D	S	d1	d2	h1	h2	h3		
14220	53	45	33.5	16	10.5	M6	12	29	8	7.5	n°50	Black
14221	75	65	41	20	13.5	M8	15	34	11	7.5		
14222	92	80	53	24	16.5	M10	20	44	16	12		



ADJUSTABLE HANDLE

Material: polyamide, threaded insert in stainless steel AISI 304.

Code	A	B	H	D	S	d1	d2	h1	h2	h3		
14230	53	45	33.5	16	10.5	M6	12	29	20	7.5	n°50	Black
14231									30			
14232	75	65	41	20	13.5	M8	15	34	20	7.5	n°50	Black
14234									30			
14235	92	80	53	24	16.5	M10	20	44	25	12	n°50	Black
14236									30			

 Preferred type, readily available (codes marked in red)

SS 304

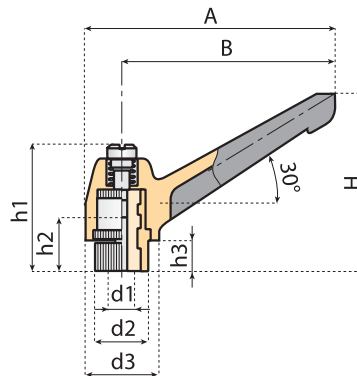
AISI 304
Stainless steel

NPB

Nickel plated brass

PA

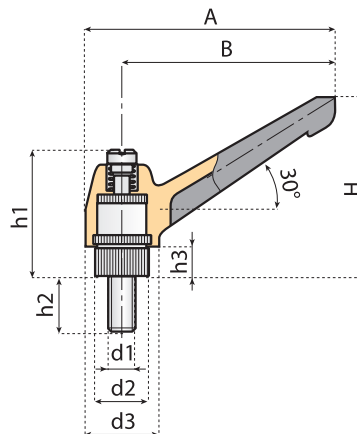
Polyamide



ADJUSTABLE HANDLE (30°)

Material: polyamide, insert in nickel plated brass.

Code	A	B	H	d1	d2	d3	h1	h2	h3		
14200	49	40	38	M6	11	18	30	12	7		
14201	65	55	49	M8	14	22	37	14	10	n°50	Black
14202	93	80	68	M10	20	29	48	20	12		



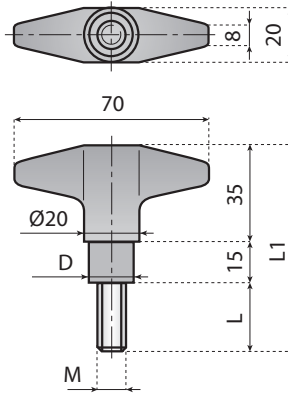
ADJUSTABLE HANDLE (30°)

Material: polyamide, threaded insert in stainless steel AISI 304.

Code	A	B	H	d1	d2	d3	h1	h2	h3		
14199	49	40	38	M6	11	18	30	15	7	n°50	Black
14203								20			
14204								25			
14205	65	55	49	M8	14	22	37	30	10	n°50	Black
14208								60			
14206	93	80	68	M10	20	29	48	25	12	n°50	Black
14207								30			

T-KNOB AND TIGHTENING LEVER

 Preferred type, readily available (codes marked in red)





Brass

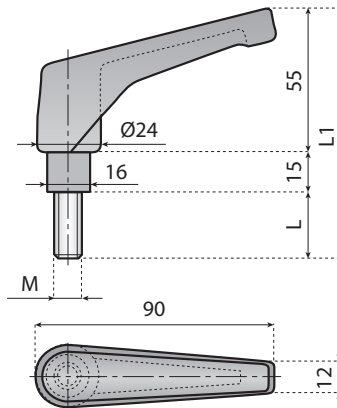


Polyamide

T-KNOB



Material: polyamide with brass insert.

Code	M	D	L	L1		
13058			20	70		
13059	M6	10	25	75	n°50	Black
13060			30	80		
13061			20	70		
13062	M8	10	25	75	n°50	Black
13063			30	80		
13064			20	70		
13065	M10	16	25	75	n°50	Black
13066			30	80		



TIGHTENING LEVER

Material: polyamide with brass insert.

Code	M	A	L1		
13076		20	90		
13077	M8	25	95	n°50	Black
13078		30	100		
13079		20	90		
13080	M10	25	95	n°50	Black
13081		30	100		

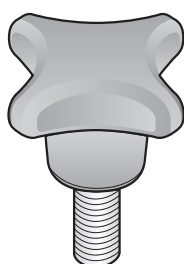
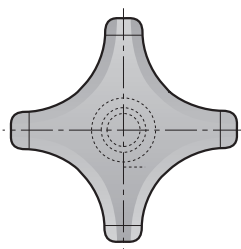
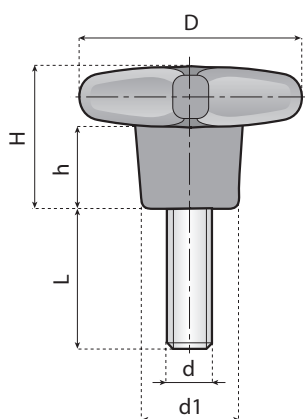
 Preferred type, readily available (codes marked in red)



AISI 304
Stainless steel



Polyamide



Code		D	d	L	H	h	d1	
Black	Orange							
13414	13414A	20	M4	10	13	7	8.5	n°100
13415	13415A		M4	15				
13416	13416A		M4	20				
13417	13417A		M4	25				
13418	13418A		M5	10				
13419	13419A		M5	15				
13420	13420A		M5	20				
13421	13421A		M5	25				
13422	13422A		M6	10				
13423	13423A		M6	15				
13424	13424A	M6	20					
13425	13425A	M6	25					
13426	13426A	25	M4	10	16	8.5	11.5	n°100
13427	13427A		M4	15				
13428	13428A		M4	20				
13429	13429A		M4	25				
13430	13430A		M5	10				
13431	13431A		M5	15				
13432	13432A		M5	20				
13433	13433A		M5	25				
13434	13434A		M6	10				
13435	13435A		M6	15				
13436	13436A	M6	20					
13437	13437A	M6	25					
13438	13438A	30	M5	15	20.5	11.5	14	n°100
13439	13439A		M5	20				
13440	13440A		M5	25				
13441	13441A		M5	30				
13442	13442A		M6	15				
13443	13443A		M6	20				
13444	13444A		M6	25				
13445	13445A		M6	30				
13446	13446A		M8	15				
13447	13447A		M8	20				
13448	13448A	M8	25					
13449	13449A	M8	30					
13450	13450A	40	M6	15	25.5	14.5	17	n°100
13451	13451A		M6	20				
13452	13452A		M6	25				
13453	13453A		M6	30				
13454	13454A		M8	15				
13350	13350A		M8	20				
13456	13456A		M8	25				
13457	13457A		M8	30				
13458	13458A		M10	20				
13459	13459A		M10	25				
13460	13460A	M10	30					
13461	13461A	M10	35					
13462	13462A	50	M6	15	32	19	22	n°100
13463	13463A		M6	20				
13464	13464A		M6	25				
13465	13465A		M6	30				
13466	13466A		M8	15				
13467	13467A		M8	20				
13468	13468A		M8	25				
13469	13469A		M8	30				
13470	13470A		M10	20				
13471	13471A		M10	25				
13472	13472A	M10	30					
13473	13473A	M10	35					

STARKNOB

Material: polyamide, threaded insert in stainless steel AISI 304.

Note: starknob DIN 6335.

STARKNOB FEMALE

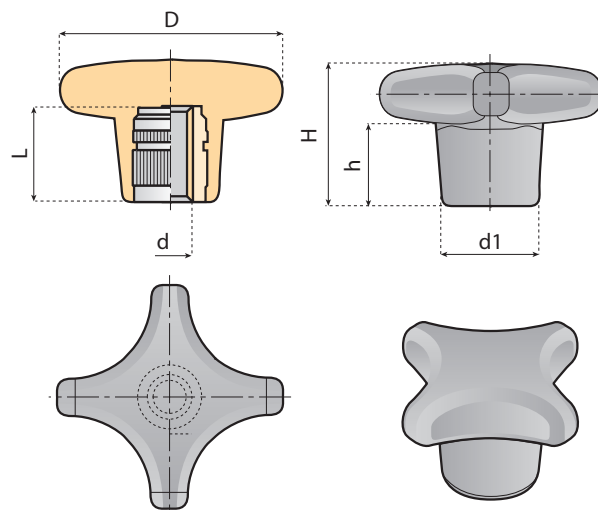
 Preferred type, readily available (codes marked in red)




Nickel plated brass



Polyamide



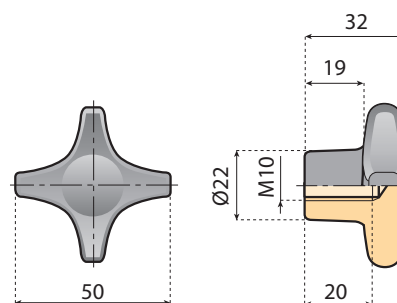
Code

Black	Orange	D	d	L	H	h	d1	
13474	13474A		M4					
13475	13475A	20	M5	9	13	7	8.5	n°100
13476	13476A		M6					
13477	13477A		M4					
13478	13478A	25	M5	9	16	8.5	11.5	n°100
13479	13479A		M6					
13480	13480A		M8					
13481	13481A		M5					
13482	13482A	30	M6	15	20.5	11.5	14	n°100
13483	13483A		M8					
13484	13484A		M6					
13485	13485A	40	M8	17	25.5	14.5	17	n°100
13486	13486A		M10					
13487	13487A		M6					
13488	13488A	50	M8	17	32	19	22	n°100
13489	13489A		M10					

STARKNOB

Material: polyamide, bushing in nickel plated brass.

Note: starknob DIN 6335.



KNOB

Note: max. torque on the knob 3.5 Kg.

Code

13489S Without insert



n°100



Black

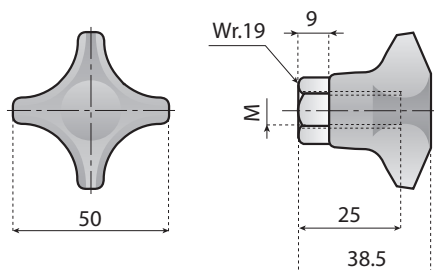
 Preferred type, readily available (codes marked in red)



Nickel plated brass



Reinforced polyamide




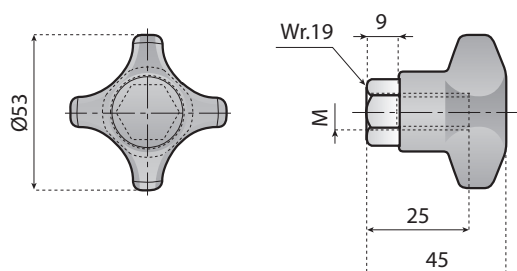
KNOB

Material: reinforced polyamide, hexagonal insert in nickel plated brass.

Note: max. torque on the knob 2.5 Kgm.

For further tightening work on the hexagon.

Code	M	
13341	6	n°100
13345	8	
13343	10	




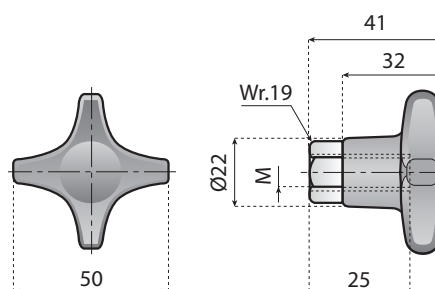
KNOB

Material: reinforced polyamide, hexagonal insert in nickel plated brass.

Note: max. torque on the knob 2.5 Kgm.

For further tightening work on the hexagon.


Code	M	
13357	6	n°100
13356	8	
13355	10	



KNOB

Material: reinforced polyamide with nickel plated brass insert.

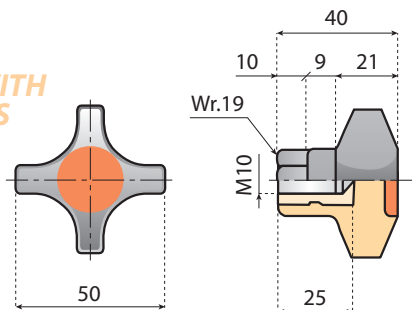
Note: max. torque on the knob 3.5 Kgm.

Code	M	
13491	6	n°100
13492	8	
13493	10	

KNOBS

 Preferred type, readily available (codes marked in red)

ON REQUEST IT IS POSSIBLE TO SUPPLY KNOBS WITH CUSTOMIZED CAPS



Code

13338



n°100

KNOB

Material: reinforced polyamide, insert in brass.

Note: max. torque on the knob 2 Kgm.



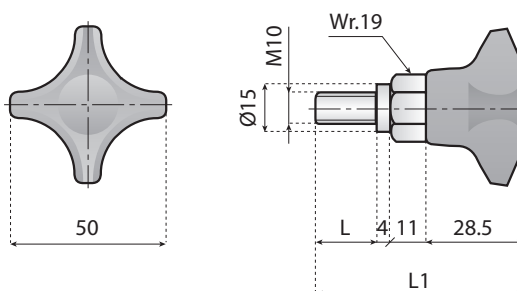
Nickel plated brass



Reinforced polyamide



Brass



Code

13342
13349
13348

L

11.5
20
25

L1

54
62.5
67.5



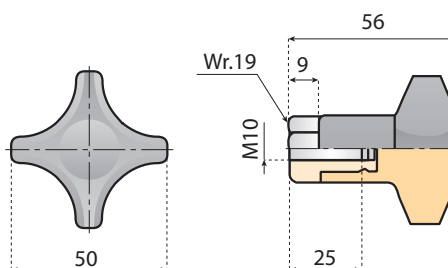
n°100

KNOB

Material: reinforced polyamide, hexagonal insert in nickel plated brass.

Note: max. torque on the knob 2,5 Kgm.

For further tightening work on the hexagon.



Code

13344



n°100

KNOB

Material: reinforced polyamide, hexagonal insert in nickel plated brass.

Note: max. torque on the knob 2,5 Kgm.

For further tightening work on the hexagon.

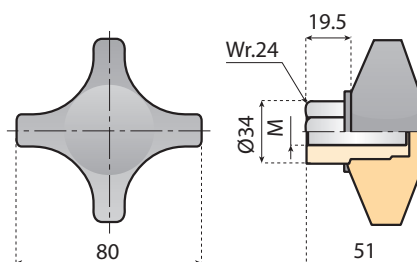
 Preferred type, readily available (codes marked in red)



Nickel plated brass




Reinforced polyamide

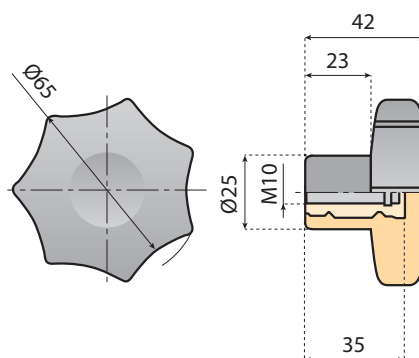


KNOB

Material: reinforced polyamide, hexagonal insert in nickel plated brass.

Note: max. torque on the knob 2,5 kgm.
For further tightening work on the hexagon.

Code	M	
13346	12	n°100
13347	16	



KNOB

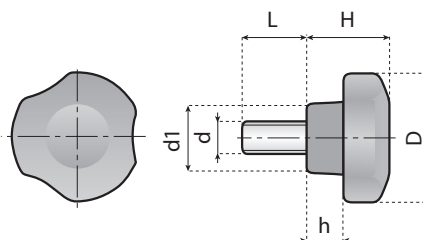
Material: reinforced polyamide, with nickel plated brass insert.

Note: max. torque on the knob 2,5 kgm.

Code	
13340	n°100

KNOBS

 Preferred type, readily available (codes marked in red)



Nickel plated brass



Reinforced polyamide



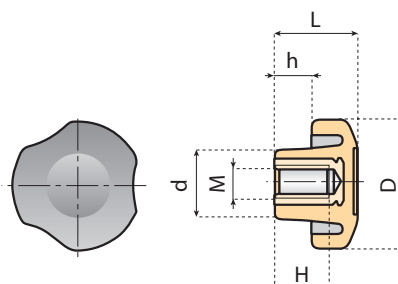
Zinc plated steel

Code	D	d	L	H	h	d1	
13550		M4	10				
13551	20	M4	15	13	5	13	n°100
13552		M5	15				
13553		M5	20				
13554		M4	10				
13555		M4	15				
13556	25	M5	15	16	6	14	n°100
13557		M5	20				
13558		M6	20				
13559		M6	25				
13560		M6	15				
13561		M6	20				
13562	30	M8	20	19	7	17	n°100
13563		M8	25				
13564		M10	25				
13565		M10	30				
13566		M6	20				
13567		M6	25				
13568	40	M8	25	25	11	21	n°100
13569		M8	30				
13570		M10	30				
13571		M10	40				
13572		M8	25				
13573		M8	30				
13574	50	M10	30	30	13	24	n°100
13575		M10	40				
13576		M12	40				
13577		M12	50				

KNOB WITH THREADED PIN

Material: reinforced polyamide with threaded insert in zinc plated steel.

Note: max. torque on the knob 2 Kgm.



Code	D	M	d	L	H	h	
13402	20	4	13	13	9	5	
13403	20	5	13	13	9	5	
13404	25	5	14	16	9	6	
13405	25	6	14	16	9	6	
13406	30	6	17	19	11	7	
13407	30	8	17	19	11	7	
13408	30	10	17	19	11	7	n°100
13401	40	8	21	25	16	11	
13409	40	10	21	25	16	11	
13410	50	10	24	30	18	13	
13411	50	12	24	30	18	13	
13412	60	12	28	38	25	17	
13413	60	14	28	38	25	17	

KNOB

Material: reinforced polyamide with nickel plated brass insert.

Note: max. torque on the knob 2 Kgm.

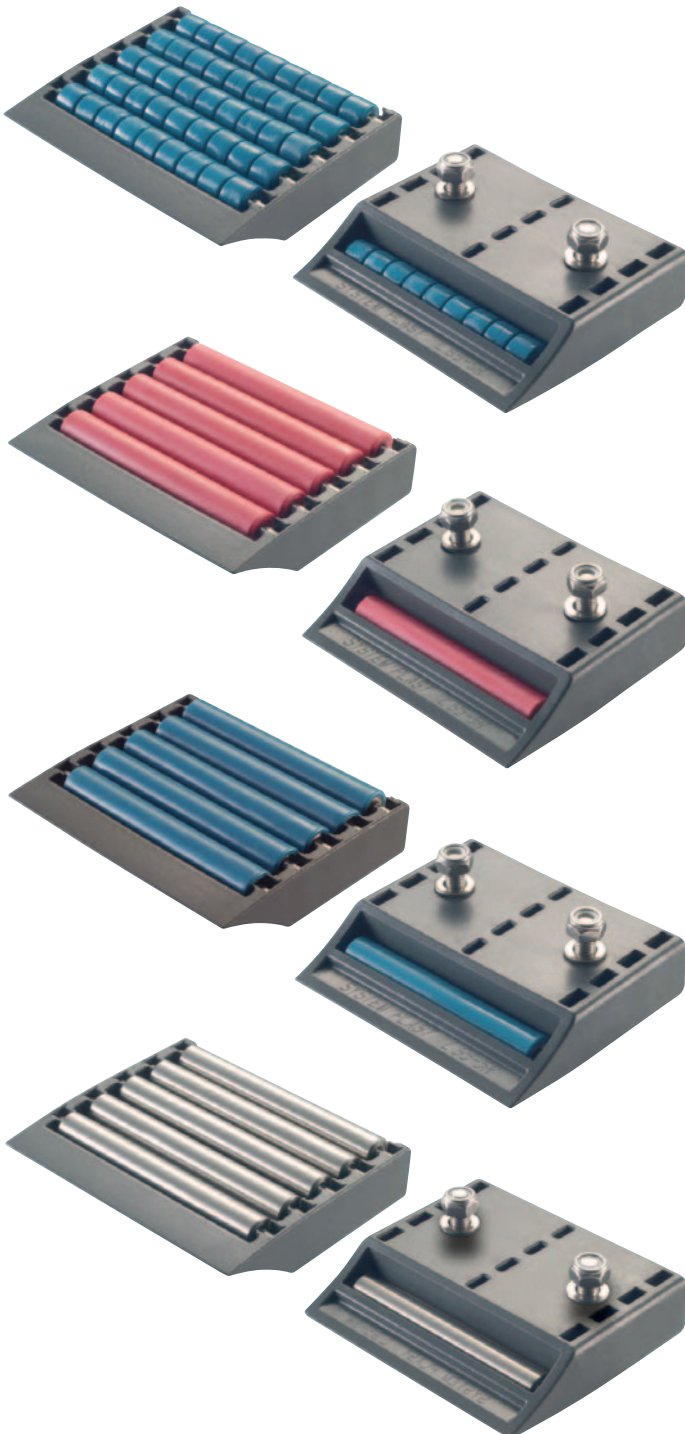
MODULAR TRANSFER PLATES WITH ROLLERS - METRIC



For modular transfer plates
in imperial widths see pages
304-306

- Create a smooth transfer between two conveyors
- Can be used individually or back-to-back
- Ultra low friction
- Low noise rollers

- Clean design
- Easy, flexible mounting
- Modular set-up in width and length
- Available in 85 or 115 mm width



The Range

The transfer plates are available in four different versions in order to be compatible with many applications.

Type: **MR**

Plastic Multi Rollers

MR



Type: **SR**

Single Plastic Roller in low noise version

SR



Type: **SSA**

Plastic Roller with ball bearing

SSA



Type: **SS**

Stainless Steel Roller with ball bearing

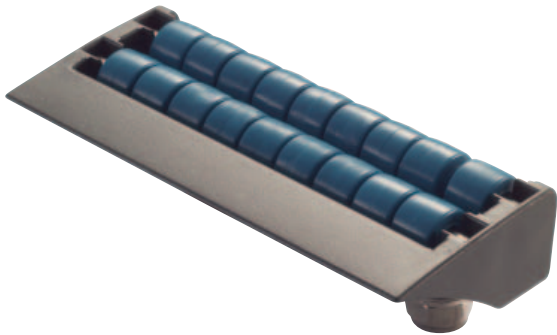
SS



Material

- Frame in acetal resin
- Rollers in low noise material or stainless steel.
- Pins, washers and bolts in stainless steel AISI 304.
- Supply: assembled.
- Packaging: 10 pieces.

MODULAR TRANSFER PLATES WITH ROLLERS - METRIC



AISI 430
Stainless steel

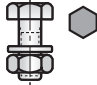
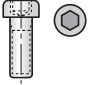


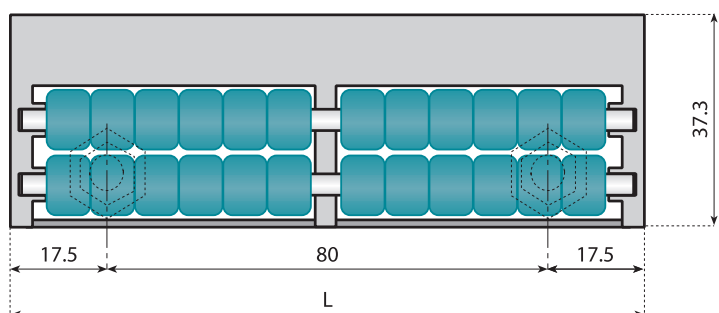
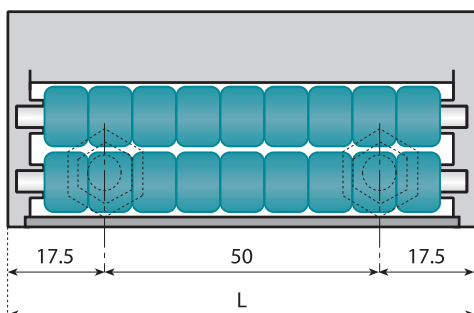
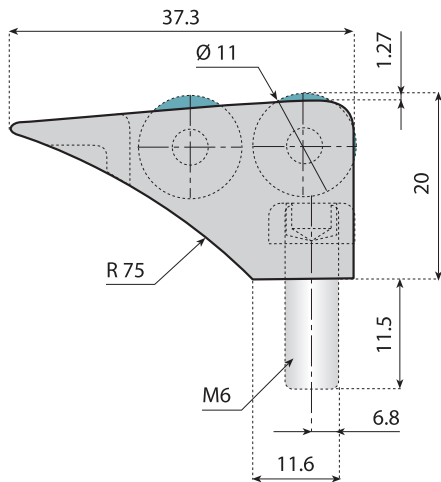
P.B.T.



Acetal resin

MODULE WITH TWO ROWS OF ROLLERS
Width L=85 or L=115

TYPE	L	Fastener M6		Nut M6	Without screws
					
MR	85	16777	16777S	16777D	16777W
SR		16777-SR	16777S-SR	16777D-SR	16777W-SR
SSA		16777-SSA	16777S-SSA	16777D-SSA	16777W-SSA
SS		16777-SS	16777S-SS	16777D-SS	16777W-SS
MR	115	16778	16778S	16778D	16778W
SR		16778-SR	16778S-SR	16778D-SR	16778W-SR
SSA		16778-SSA	16778S-SSA	16778D-SSA	16778W-SSA
SS		16778-SS	16778S-SS	16778D-SS	16778W-SS



MODULAR TRANSFER PLATES WITH ROLLERS - METRIC



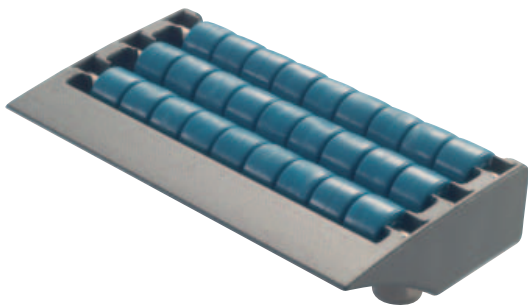
AISI 430
Stainless steel



P.B.T.



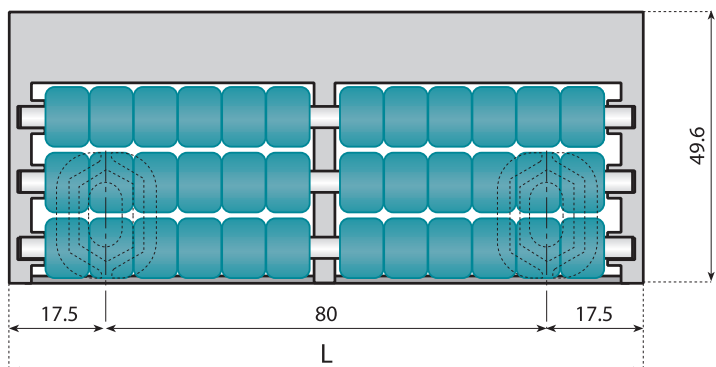
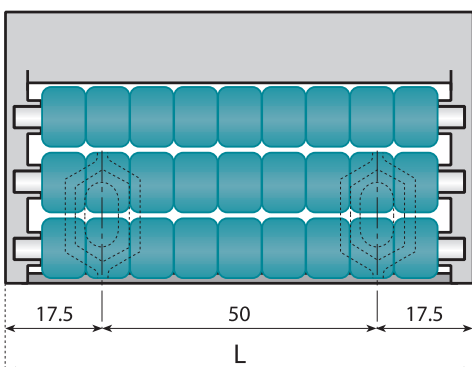
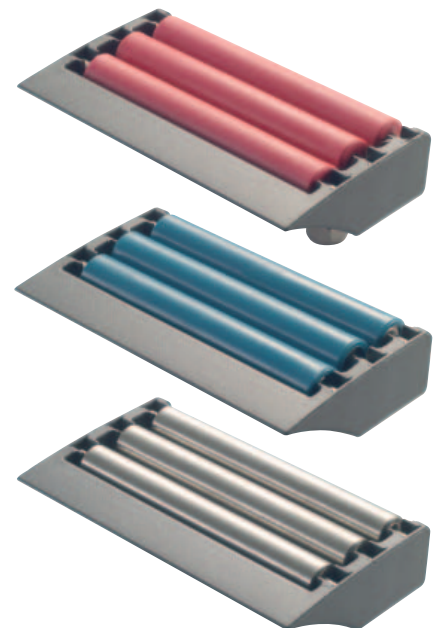
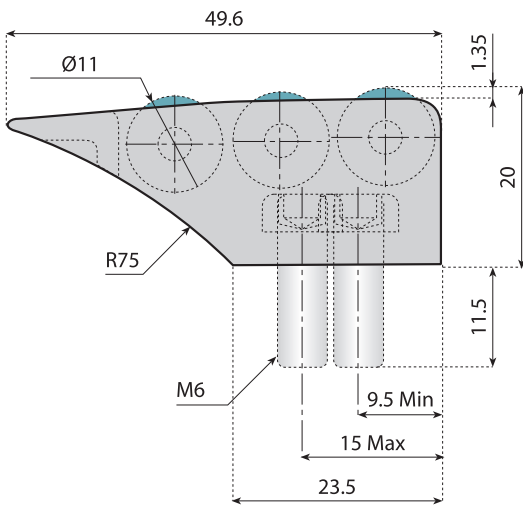
Acetal resin



MODULE WITH THREE ROWS OF ROLLERS
Width L=85 or L=115

PLATE FASTENING
The slotted holes allow a 5 mm movement of the bolts.

TYPE	L	Fastener M6		Nut M6	Without screws
MR	85	16770	16770S	16770D	16770W
SR		16770-SR	16770S-SR	16770D-SR	16770W-SR
SSA		16770-SSA	16770S-SSA	16770D-SSA	16770W-SSA
SS		16770-SS	16770S-SS	16770D-SS	16770W-SS
MR	115	16771	16771S	16771D	16771W
SR		16771-SR	16771S-SR	16771D-SR	16771W-SR
SSA		16771-SSA	16771S-SSA	16771D-SSA	16771W-SSA
SS		16771-SS	16771S-SS	16771D-SS	16771W-SS



MODULAR TRANSFER PLATES WITH ROLLERS - METRIC



AISI 430
Stainless steel




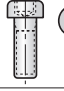
P.B.T.

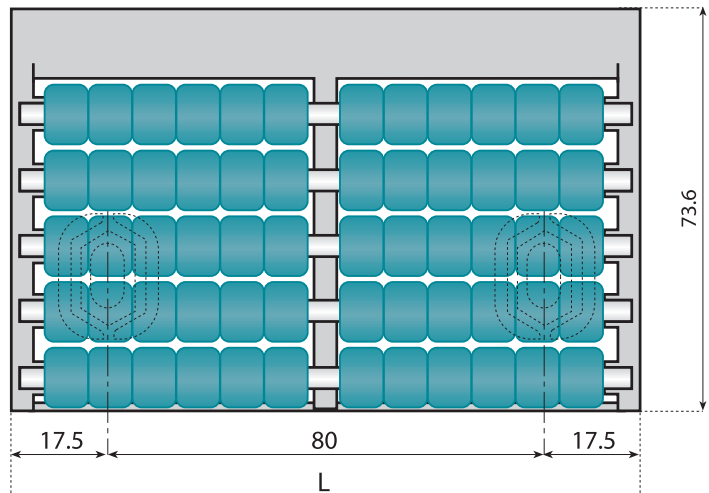
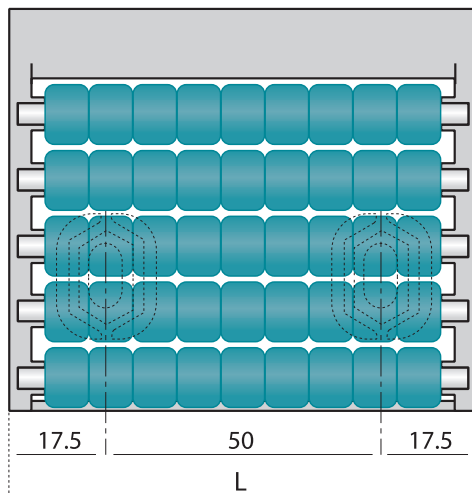
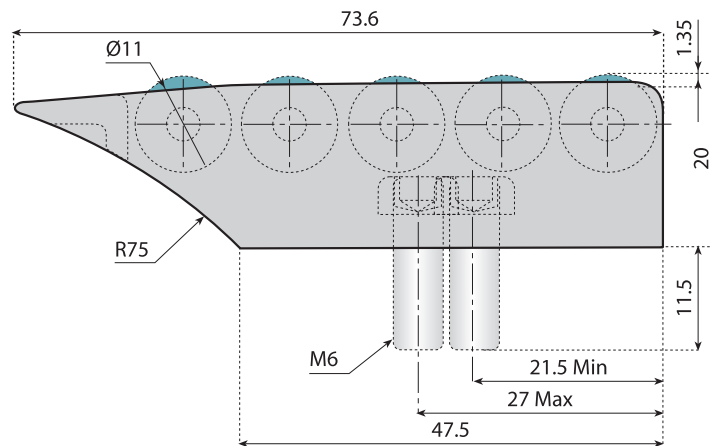


Acetal resin

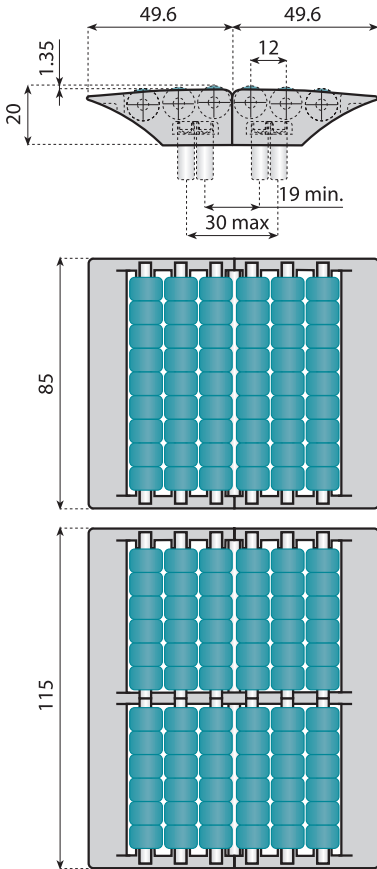
MODULE WITH FIVE ROWS OF ROLLERS
Width L=85 or L=115

PLATE FASTENING
The slotted holes allow a 5 mm movement of the bolts.

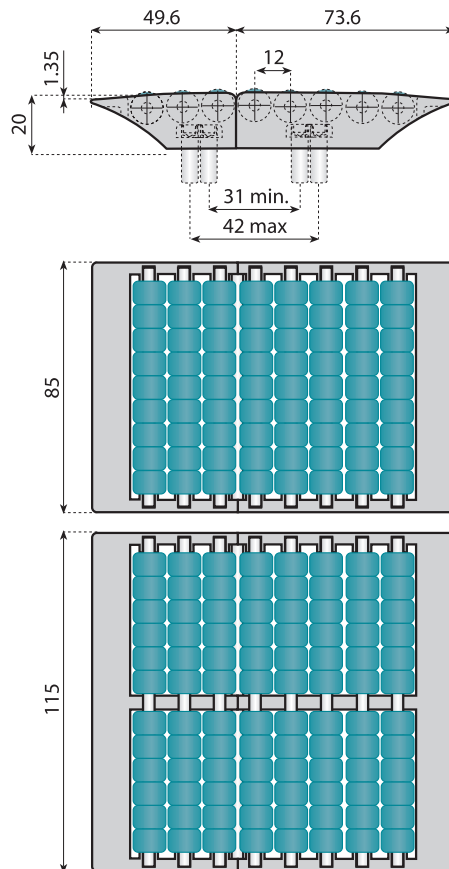
TYPE	L	Fastener M6		Nut M6	Without screws
					
MR	85	16772	16772S	16772D	16772W
SR		16772-SR	16772S-SR	16772D-SR	16772W-SR
SSA		16772-SSA	16772S-SSA	16772D-SSA	16772W-SSA
SS		16772-SS	16772S-SS	16772D-SS	16772W-SS
MR	115	16773	16773S	16773D	16773W
SR		16773-SR	16773S-SR	16773D-SR	16773W-SR
SSA		16773-SSA	16773S-SSA	16773D-SSA	16773W-SSA
SS		16773-SS	16773S-SS	16773D-SS	16773W-SS



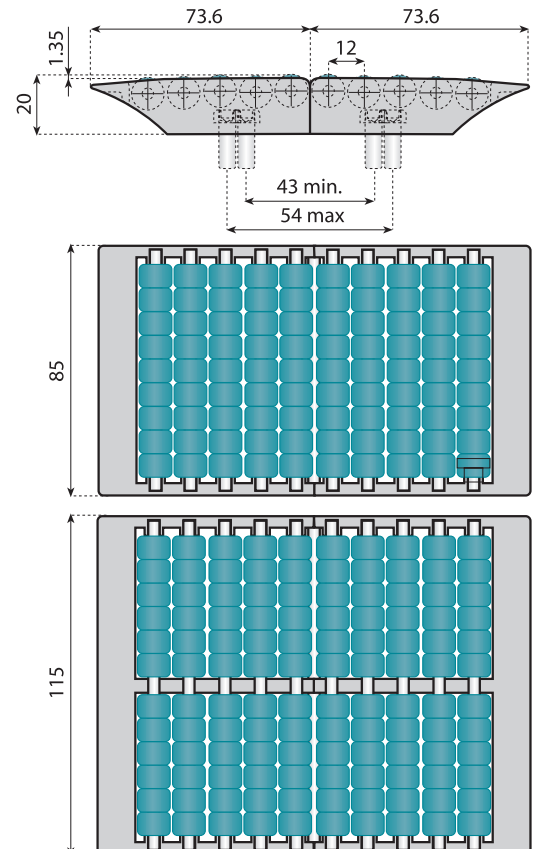
Assembly with two modules of three rows of rollers



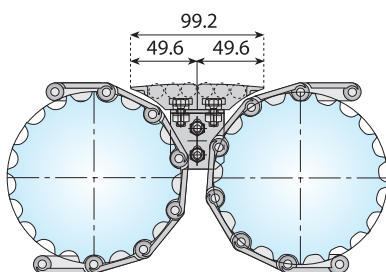
Assembly with two modules:
- One module with three rows of rollers
- One module with five rows of rollers



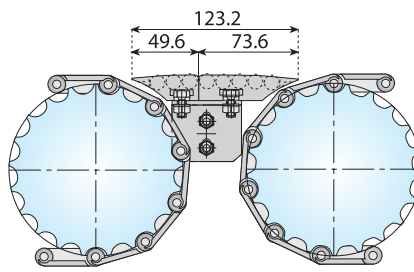
Assembly with two modules of five rows of rollers



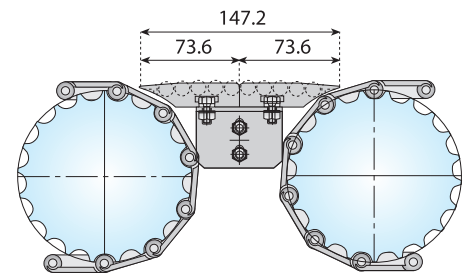
HEAD TO TAIL TRANSFER Examples of assembly



Head to tail transfer with two modules of three rows of rollers.
Assembly with stainless steel or plastic resin flat top chains.
Top plate thickness from 3 mm to 4.8 mm

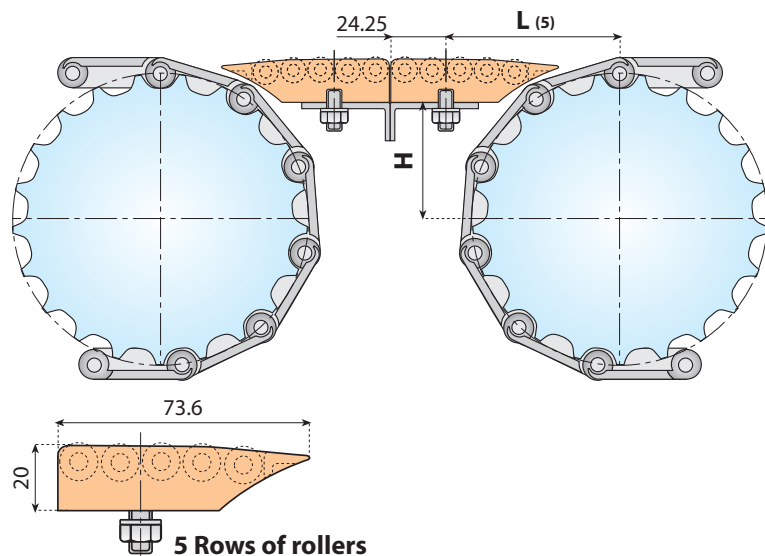
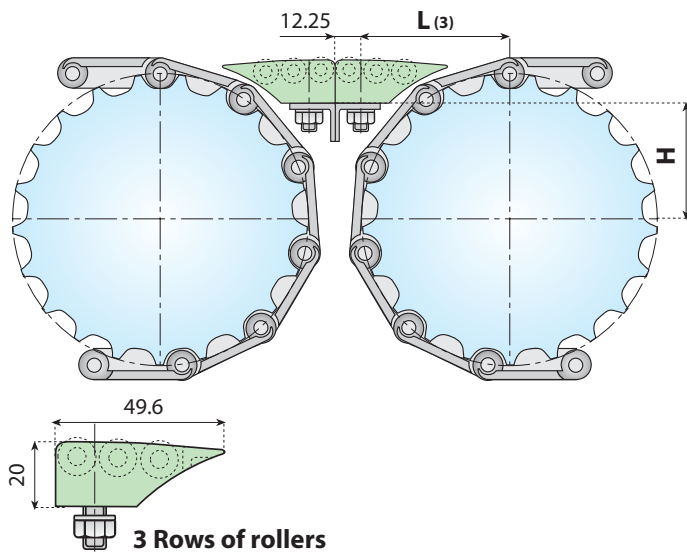
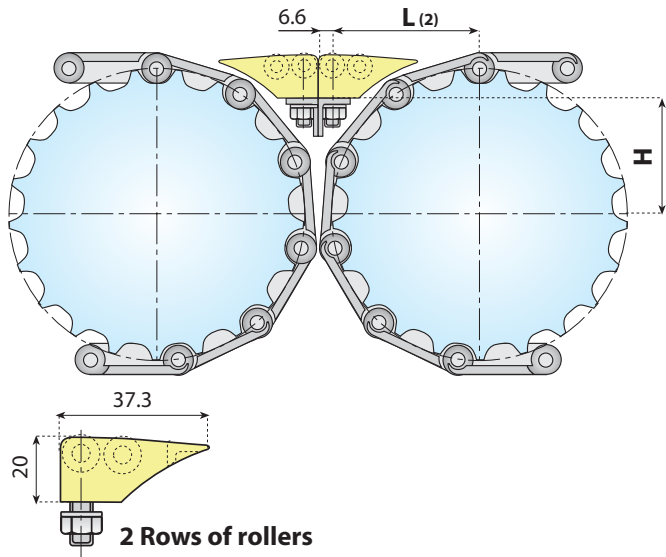


Head to tail transfer two with modules:
- One module of three rows of rollers
- One module of five rows of rollers
Assembly with stainless steel or plastic resin flat top chains.
Top plate thickness from 3 mm to 4.8 mm

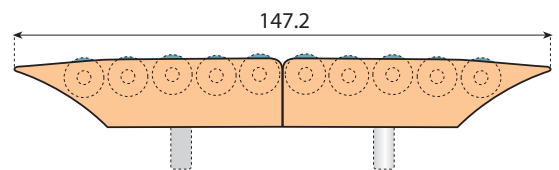
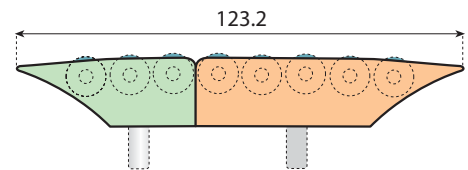
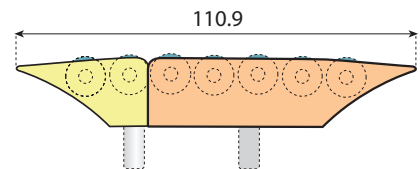
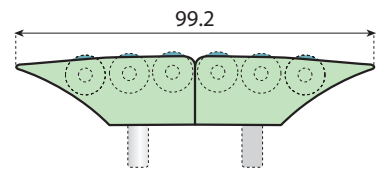
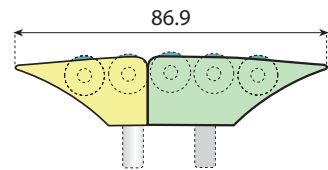
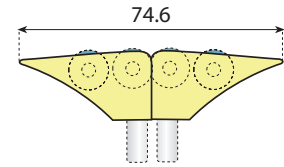


Head to tail transfer with two modules of five rows of rollers.
Assembly with stainless steel or plastic resin flat top chains.
Top plate thickness from 3 mm to 4.8 mm

MODULAR TRANSFER ROLLERS PLATES H AND L DIMENSIONS



Combinations



Head to tail transfer with two modules

CHAIN TYPES

	Sprockets Z=17		Sprockets Z=19		Sprockets Z=21		Sprockets Z=23		Sprockets Z=25		Sprockets Z=27		Sprockets Z=29	
	H	L(2) L(3) L(5)	H	L(2) L(3) L(5)	H	L(2) L(3) L(5)	H	L(2) L(3) L(5)	H	L(2) L(3) L(5)	H	L(2) L(3) L(5)	H	L(2) L(3) L(5)
812, 815, 881, 8157, 8810, 800, 802, 805, 812L, 815L, 881 M, 881 MO, 881 TAB, 8810 TAB, 8857 M, 8857 TAB, L 881 MO	39,6	67,2 79,2 104,0 45,5 70,1 81,6 105,4 51,5	84,0	106,8 57,5	86,4	108,2	63,5	88,8	108,6	69,4	111,0	75,4	112,3	
805 VG, 815 TAB VG, 815 VG, 881 TAB VG, 881 VG, 8157 VG, 8157 TAB VG, 8857 M VG	42,6	68,3 80,0 103,6 48,5 71,3 82,3 104,9 54,5	84,7	106,3	60,5	87,1	107,6	66,5	89,5	108,9	72,4	110,2	78,4	111,6
815 VG MINI	42,1	67,9 79,7 103,6 48,0 70,9 82,1 104,9 54,0	84,5	106,1	60,0	86,9	107,3	66,0	89,3	108,5	71,9	109,7	77,9	110,9
831, 820, 820J	40,2	67,2 78,9 103,0 46,1 70,2 81,3 104,4 52,1	83,7	105,8	58,1	86,1	107,1	64,1	88,5	108,5	70,0	109,9	76,0	111,2
821	41,0	67,9 79,2 103,1 46,9 70,8 81,6 104,4 52,9	83,0	105,3	58,9	86,3	107,0	64,9	88,7	108,4	70,8	109,7	76,8	111,0
831 VG	44,0	68,9 79,9 103,7 49,9 73,0 84,2 105,0 55,9	84,8	106,4	61,9	87,2	107,7	67,9	90,3	109,1	73,8	110,4	79,8	111,8
LBP 831	54,7	82,9 106,6 60,6 108,1 85,6 108,1 66,6	111,1	78,6	111,1	78,6	111,1	78,6	111,1	78,6	111,1	78,6	111,1	115,7
LBP 821	55,5	84,1 107,4 61,4 107,4 61,4 86,8	108,9	67,4	110,3	73,4	111,8	79,4	113,3	85,3	114,7	91,3	116,2	
SK 38	38,7	66,3 78,4 102,3 44,6 69,2 80,8 103,7	50,6	83,1	105,0	56,6	85,5	106,3	87,9	107,7	68,5	109,0	74,5	110,3

CHAIN TYPES

	Sprockets Z=9		Sprockets Z=10		Sprockets Z=11		Sprockets Z=12	
	H	L(2) L(3) L(5)	H	L(2) L(3) L(5)	H	L(2) L(3) L(5)	H	L(2) L(3) L(5)
828, 879, 880, 879 J, 880 J, 879 TAB, 880 TAB, 879 M, 880 M	43,0	68,6 79,6 103,7 49,0 71,7 81,8 105,1	55,0	83,9	106,4	61,0	86,1	107,7
878 TAB	43,4	68,7 79,8 103,4 49,4 71,8 81,9 105,2	55,4	84,2	106,5	61,4	86,4	108,0
879 TAB VG, 879 M VG	46,0	70,1 80,7 104,6 52,0 73,2 83,2 105,9	58,0	85,6	107,3	64,0	88,1	108,7
878 TAB VG	46,4	70,7 80,3 104,4 52,4 73,2 83,2 105,6	58,4	85,4	106,8	64,4	87,9	108,0
LBP 878 TAB, LBP 879 M	58,4	85,1 107,3 64,4 107,3 64,4 87,5	109,7	76,4	110,8			
8257, 882 BEVEL, 882 TAB, 882 M	45,6	70,2 80,1 104,0 51,5 73,0 82,6	105,4	57,6	63,5	87,3	87,5	108,0
8257 VG, 882 TAB VG, 882 M VG	48,6	71,7 80,7 104,9 54,5 73,0 83,4	106,3	60,6	86,1	107,7	86,5	109,1
LBP 8257, LBP 882 TAB, LBP 882 M	60,1	85,6 107,8 66,0 107,8 66,0 83,1	108,8	72,1	109,9	78,0	111,0	

CHAIN TYPES

	Sprockets Z=13		Sprockets Z=15		Sprockets Z=17		Sprockets Z=18		Sprockets Z=19		Sprockets Z=21		Sprockets Z=23		Sprockets Z=25	
	H	L(2) L(3) L(5)	H	L(2) L(3) L(5)	H	L(2) L(3) L(5)	H	L(2) L(3) L(5)	H	L(2) L(3) L(5)	H	L(2) L(3) L(5)	H	L(2) L(3) L(5)	H	L(2) L(3) L(5)
515	39,9	66,5 79,0 102,8 47,9 70,5 82,2 104,8	56,0	85,4	106,7	60,0	87,0	107,7	64,0	88,6	108,7	72,1	80,1	112,6	88,2	114,6

BELT TYPES

	Sprockets Z=14		Sprockets Z=16		Sprockets Z=20		Sprockets Z=24		Sprockets Z=28		Sprockets Z=36		Sprockets Z=38		Sprockets Z=40													
	H	L(2) L(3) L(5)	H	L(2) L(3) L(5)	H	L(2) L(3) L(5)	H	L(2) L(3) L(5)	H	L(2) L(3) L(5)	H	L(2) L(3) L(5)	H	L(2) L(3) L(5)	H	L(2) L(3) L(5)												
2120 K134, K200, 2120 FT, FG, 2120M, 2121 FT, GB 2120, VG 2120 K200, VG 2120 LBP 2120	14,9	59,5 71,5 95,5 18,9 61,1 72,8 96,5	27,0	84,4 75,5 98,6	35,0	67,6 78,2 100,7	43,1	70,8 80,9 102,8	59,3	86,2 107,0 63,3	87,6	108,1 67,3	109,1	15,4	59,9 71,8 95,8	19,4	61,6 73,1 96,8	27,5	64,8 75,8 98,8	35,5	68,0 78,4 100,9	43,6	71,2 81,1 102,9	59,8	86,4 107,0 63,8	87,6	108,0 67,8	109,0

BELT TYPES

	Sprockets Z=17		Sprockets Z=21		Sprockets Z=24		Sprockets Z=25	
	H	L(2) L(3) L(5)	H	L(2) L(3) L(5)	H	L(2) L(3) L(5)	H	L(2) L(3) L(5)
2190 FT, 2190 FG	35,2	65,5 77,5 101,5 47,9 71,2 81,4 104,3	56,3	84,3	106,5	59,4	85,2	107,2

BELT TYPES

	Sprockets Z=12		Sprockets Z=13		Sprockets Z=14		Sprockets Z=15		Sprockets Z=16		Sprockets Z=18		Sprockets Z=20		Sprockets Z=21															
	H	L(2) L(3) L(5)	H	L(2) L(3) L(5)	H	L(2) L(3) L(5)	H	L(2) L(3) L(5)	H	L(2) L(3) L(5)	H	L(2) L(3) L(5)	H	L(2) L(3) L(5)	H	L(2) L(3) L(5)														
2250 FT, 2250 FG VG 2250	31,0	64,7 76,5 100,2 34,8 66,5 77,9 101,2	38,8	68,2 79,3 102,2	42,8	70,0 80,7 103,1	46,8	71,7 82,1 104,1	54,8	84,9 106,0 62,9	87,7	107,9 66,9	108,9	33,5	65,3 77,2 101,2	37,3	67,1 78,7 102,1	41,3	68,9 80,1 103,1	45,3	70,7 81,6 104,0	49,3	72,5 83,0 105,0	57,3	85,9 106,9 65,4	88,8	108,8 69,4	109,7		
2251 FT, 2252 FT, 2252 PT VG 2251	35,0	65,3 77,4 101,6 38,8 67,1 78,9 102,5	42,8	69,0 80,4 103,4	46,8	70,9 81,9 104,3	50,8	73,3 84,3 105,9	61,3	87,3 107,8 69,4	110,7	37,5	66,0 78,3 102,0	41,3	67,9 79,8 103,0	45,3	69,9 81,3 104,0	49,3	71,8 82,8 104,9	53,3	84,3 105,9	61,3	87,3 107,8 69,4	110,7						
LBP 2251	49,5	81,3 81,2 105,2 53,3 83,0 103,2	61,3	84,7 107,2	61,3	86,5 104,2	65,3	88,2 109,2	73,3	88,2 109,2	73,3	88,2 109,2	73,3	88,2 109,2	73,3	88,2 109,2	73,3	88,2 109,2	73,3	88,2 109,2	73,3	88,2 109,2	73,3	88,2 109,2	73,3	88,2 109,2	73,3	88,2 109,2	73,3	88,2 109,2

BELT TYPES

	Sprockets Z=10		Sprockets Z=13		Sprockets Z=15		Sprockets Z=16	
	H	L(2) L(3) L(5)	H	L(2) L(3) L(5)	H	L(2) L(3) L(5)	H	L(2) L(3) L(5)
2351, 2451, 2551, 2651	35,8	65,3 77,7 101,8 50,8 83,9 105,7	60,4	88,0 108,3	67,2	90,0 109,6		

CHAIN - BELT TYPES

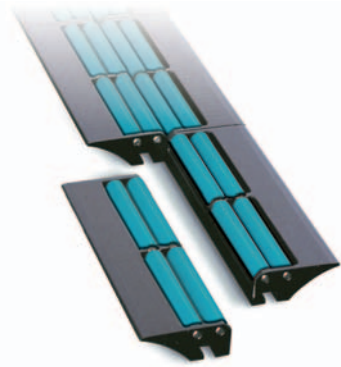
	Sprockets Z=16		Sprockets Z=18		Sprockets Z=19	
	H	L(2) L(3) L(5)	H	L(2) L(3) L(5)	H	L(2) L(3) L(5)
2250 M, 2250 TAB, 2260 M 2251 M, 2251 TAB	58,0	85,1 107,8 65,9 107,8 65,9	88,8	109,3	70,7	85,1 110,1
	62,4	87,0 108,1 108,1 70,3	109,9	75,1	110,8	

DYNAPLATE ROLLER TRANSFER - IMPERIAL



For modular transfer plates
in metric widths see pages
297-303

- Mix and match for best transfer lengths and widths
- Long life, durable, trouble-free up time
- Flexible T-bolt mounting - won't strip or turn during installation
- Acetal body low noise rollers, stainless steel pins.

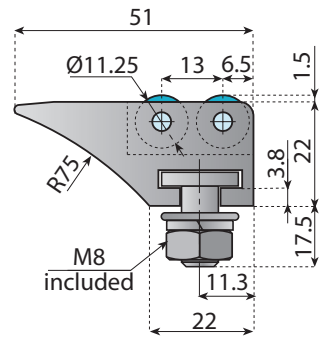
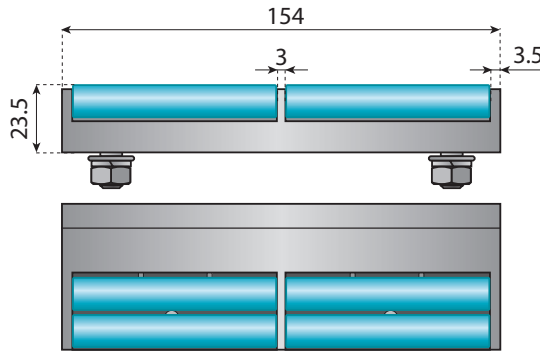
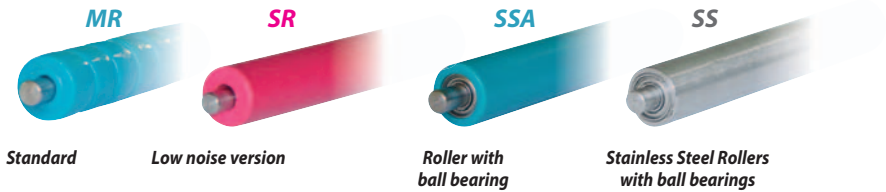
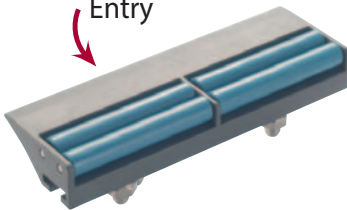


Code

- 16S00020
- 16S00020-SR
- 16S00020-SSA
- 16S00020-SS

2 Roller Rows

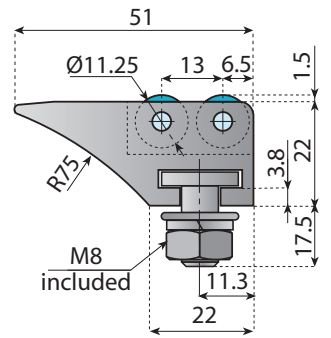
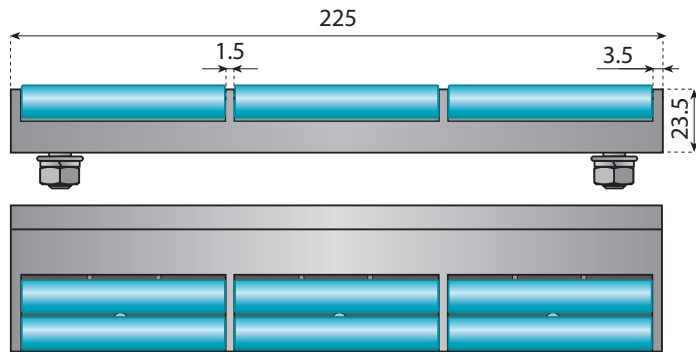
Sloped
Entry



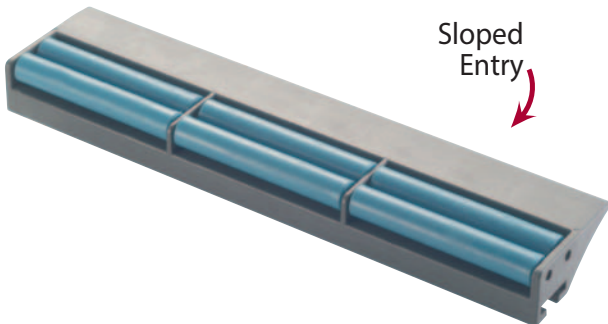
Code

- 16S00023
- 16S00023-SR
- 16S00023-SSA
- 16S00023-SS

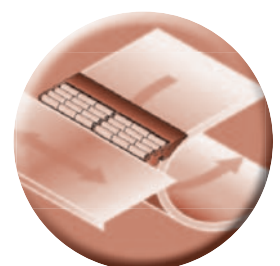
2 Roller Rows



Sloped
Entry

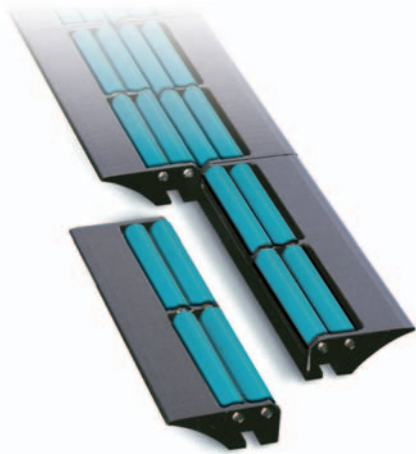


Head to tail transfer
using two roller transfer
assemblies positioned
back-to-back

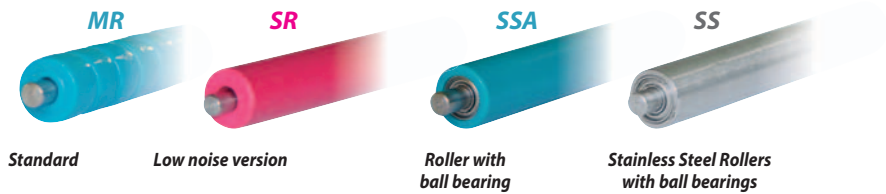


90° transfer using
single roller transfer
assembly.

DYNAPLATE ROLLER TRANSFER - IMPERIAL



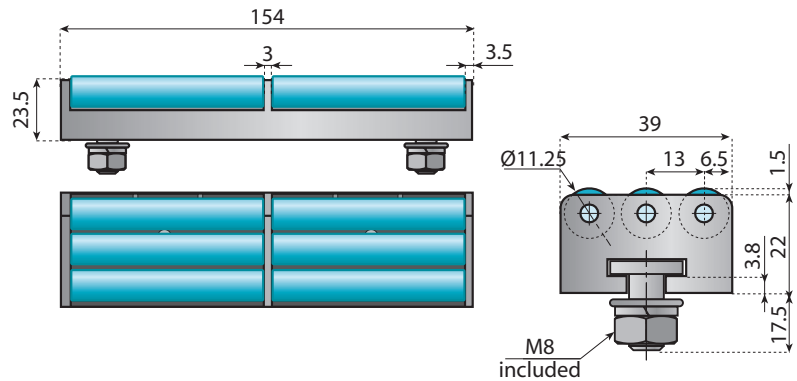
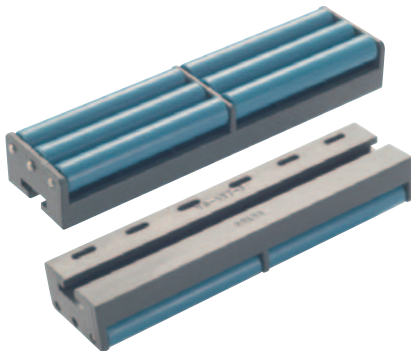
- Mix and match for best transfer lengths and widths
- Long life, durable, trouble-free up time
- Flexible T-bolt mounting - won't strip or turn during installation
- Acetal body low noise rollers, stainless steel pins.



Code

16S00021
16S00021-SR
16S00021-SSA
16S00021-SS

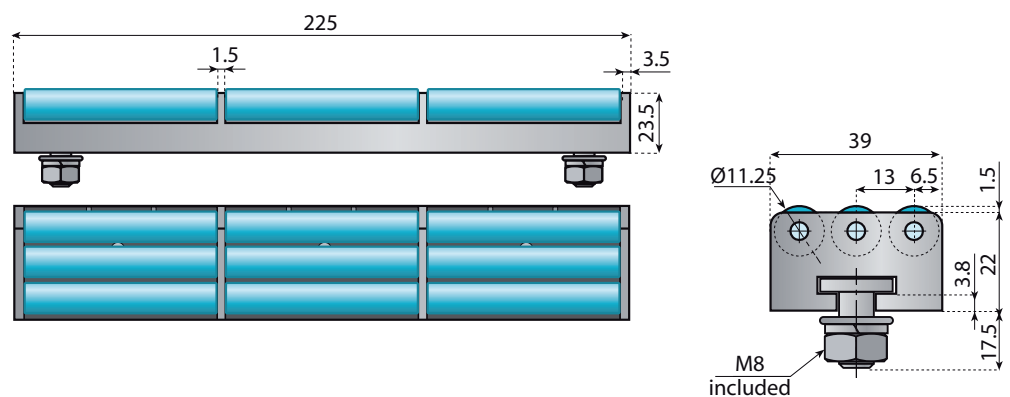
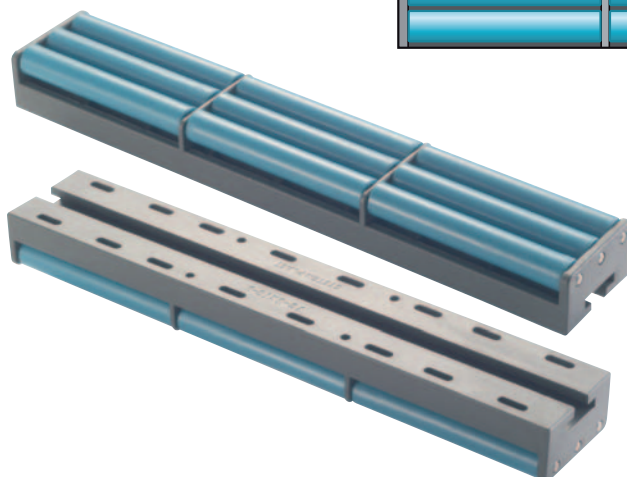
3 Roller Rows



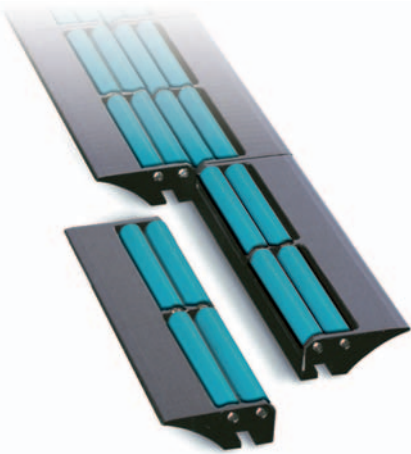
Code

16S00024
16S00024-SR
16S00024-SSA
16S00024-SS

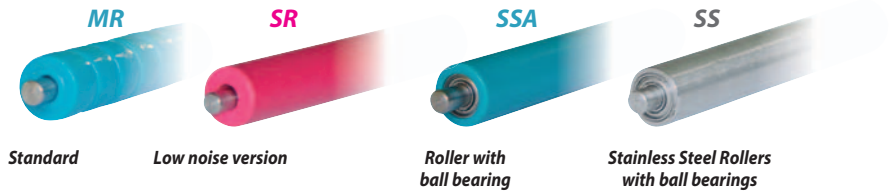
3 Roller Rows



DYNAPLATE ROLLER TRANSFER - IMPERIAL



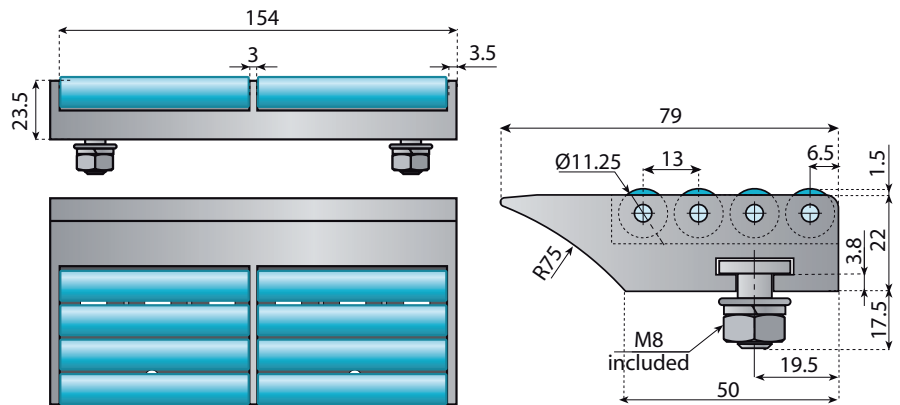
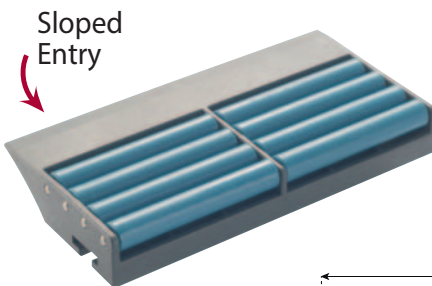
- Mix and match for best transfer lengths and widths
- Long life, durable, trouble-free up time
- Flexible T-bolt mounting - won't strip or turn during installation
- Acetal body low noise rollers, stainless steel pins.



Code

16S00022
 16S00022-SR
 16S00022-SSA
 16S00022-SS

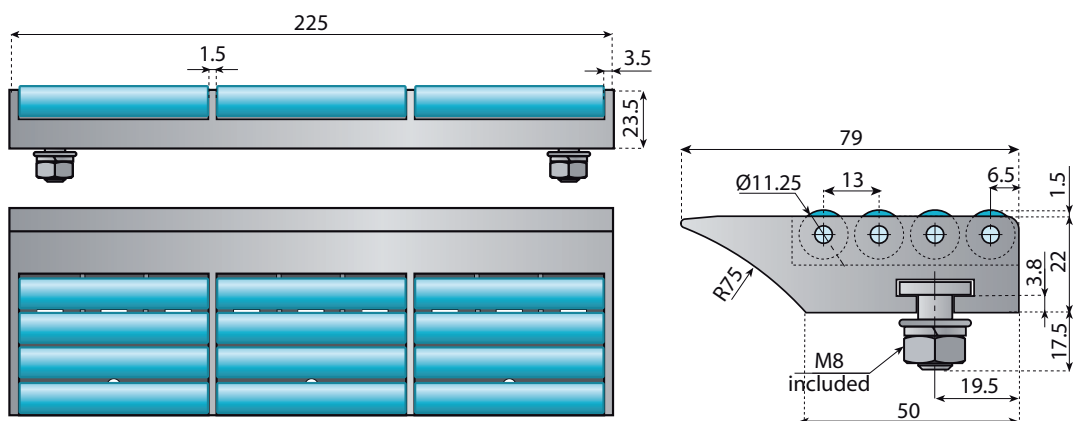
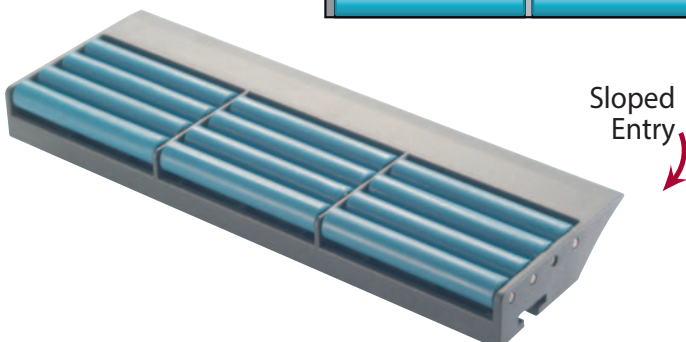
4 Roller Rows

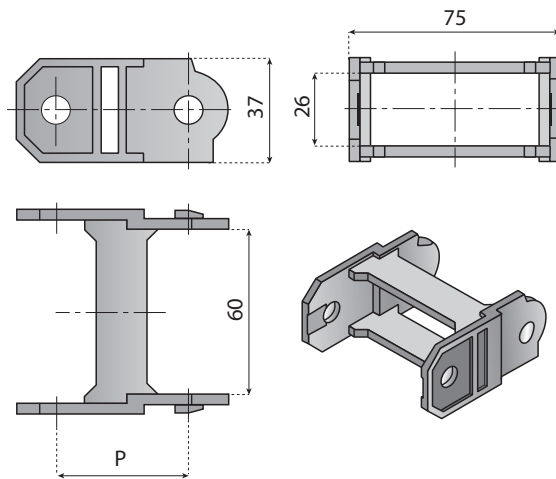


Code

16S00025
 16S00025-SR
 16S00025-SSA
 16S00025-SS

4 Roller Rows





Polyamide



Zinc plated steel




CABLE CARRIER CHAIN

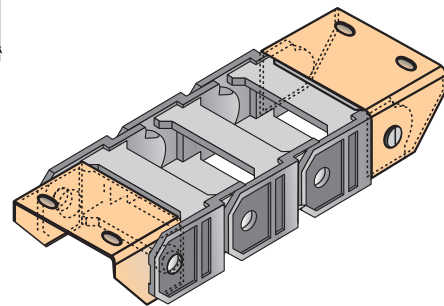
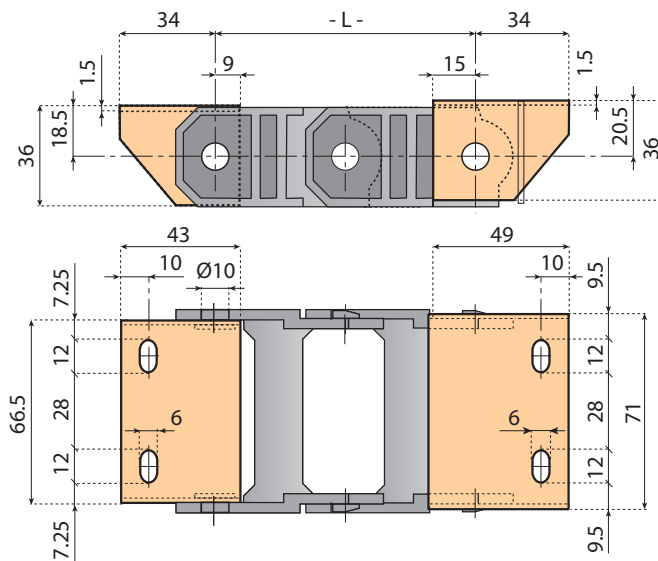
Application: guide and protection of electric cables, even at high-speed.

Features: the links of the chain can be easily assembled and disassembled.

Note: 22 links: 1 mt.

Supply: unassembled.

Code	Pitch P.	R.	 Kg/m		 Material
14150		50			
14151		70			
14152	47	90	0.7	5 m	PA
14153		110			



CHAIN FASTENER

Application: fastening of cable carrier chains.

Code		 Material
14154	5 kit	ZN

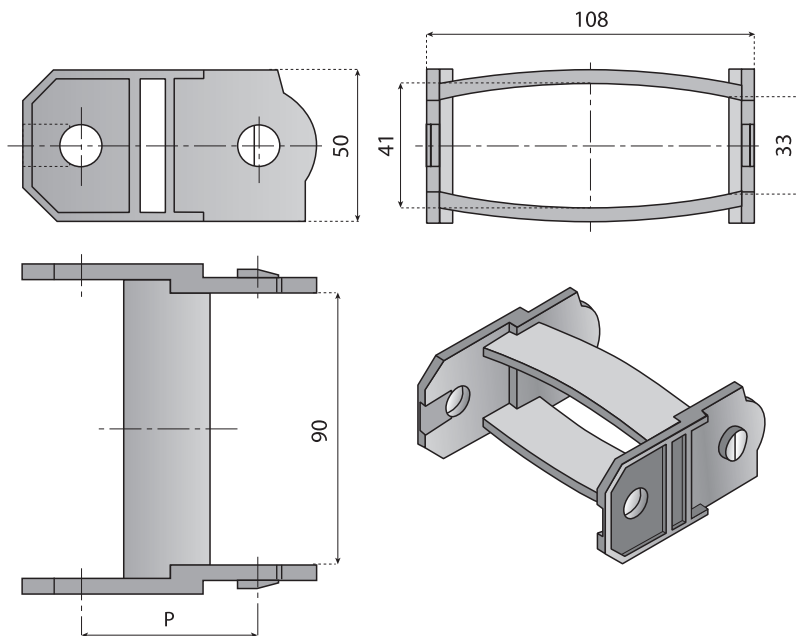
CABLE CARRIER CHAIN



Polyamide



Zinc plated steel



CABLE CARRIER CHAIN

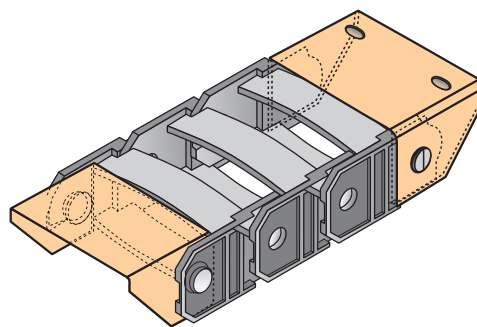
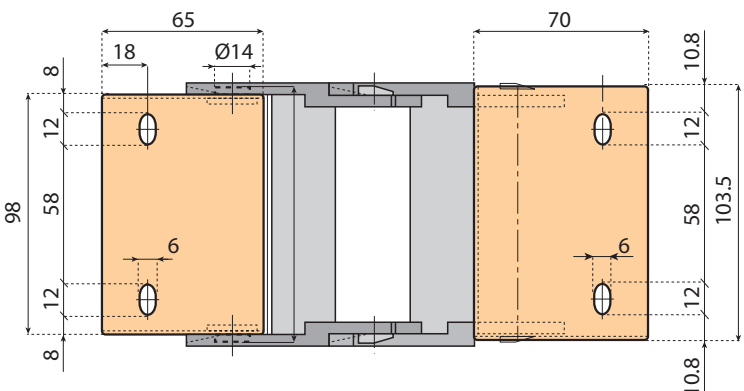
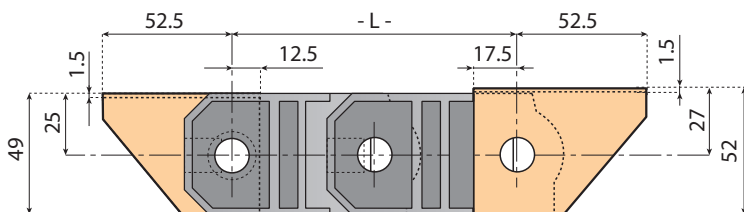
Application: guide and protection of electric cables, even at high-speed.

Features: the links of the chain can be easily assembled and disassembled.

Note: 16 links: 1 mt.

Supply: unassembled.

Code	Pitch P.	R.	Kg/m	5 m	Material
14155		75			
14156	58	110	1.2	5 m	PA
14157		150			
14158		200			



CHAIN FASTENER

Application: fastening of cable carrier chains

Code	5 kit	Material
14159	5 kit	ZN

CALCULATION OF CHAIN LENGTH

$$L = \frac{LA}{2} + \pi R + 2 \cdot P$$

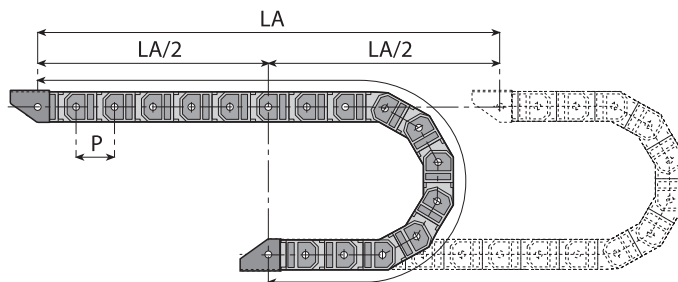
L = chain length

LA = chain travel

R = bending radius

P = chain pitch

It is advisable to fasten the chain in the middle of its travel





Frame support components

SIDE MOUNTING TOP BRACKETS

 Preferred type, readily available (codes marked in red)



AISI 304
Stainless steel



Reinforced
polyamide

SIDE MOUNTING TOP BRACKET

Material: reinforced polyamide. Screw, nut and washers in stainless steel AISI 304

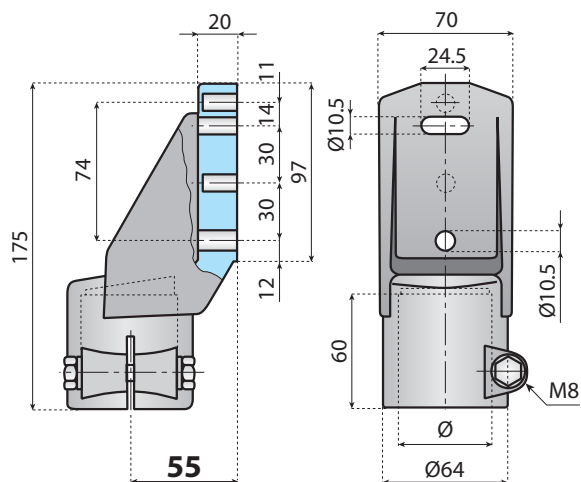
Note: the bracket can be inclined by 5° in both directions when using the lower hole and the upper slot hole.

There are two optional holes that can easily be opened by removing the thin membrane.

In this way the centre distance of the holes can be:

- Enlarged to 70 mm or
- Reduced to 30 mm

Then it is also possible to use an incline of 10° in both directions



Code	For tube Ø
14748	48.3
14744	50.9



RANGE
EXTENSION

IMPROVED
DESIGN

SIDE MOUNTING TOP BRACKET

Material: reinforced polyamide. Screw, nut and washers in stainless steel AISI 304

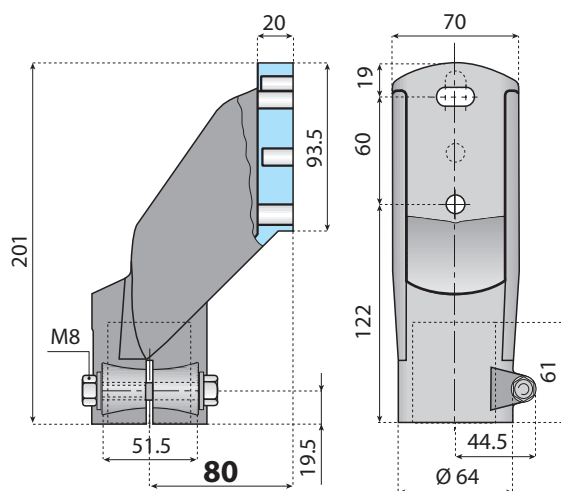
Note: the bracket can be inclined by 5° in both directions when using the lower hole and the upper slot hole.

There are two optional holes that can easily be opened by removing the thin membrane.

In this way the centre distance of the holes can be:

- Enlarged to 70 mm or
- Reduced to 30 mm

Then it is also possible to use an incline of 10° in both directions



Code	For tube □	For tube Ø	
14748N	-	48.3	
14744N	-	50.9	
14856	38x38	-	n°25
14857	40x40	-	



HEAVY DUTY SIDE MOUNTING TOP BRACKET

Material: reinforced polyamide. Screw, nut and washers in stainless steel AISI 304

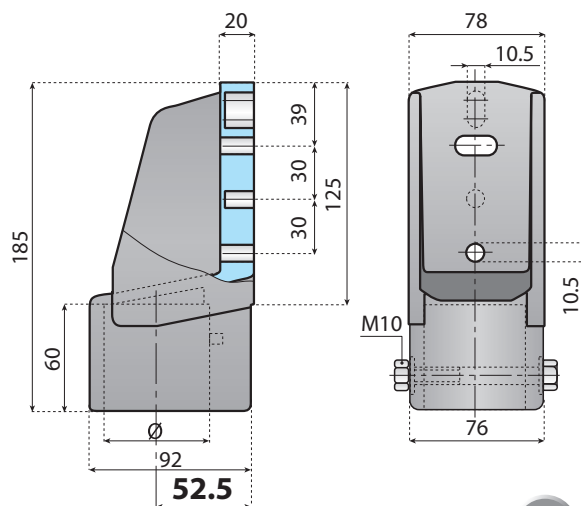
Note: the bracket can be inclined by 6° in both directions when using the lower hole and the upper slot hole.

There are two optional holes that can easily be opened by removing the thin membrane.

In this way the centre distance of the holes can be:

- Enlarged to 85,5 mm or
- Reduced to 30 mm

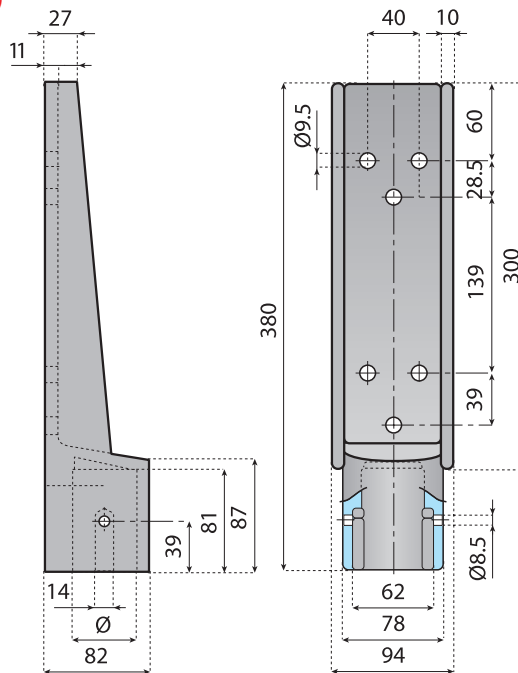
Then it is also possible to use an incline of 12° in both directions



Code	For tube Ø	
14745	60.3	n°25


SIDE MOUNTING BRACKET

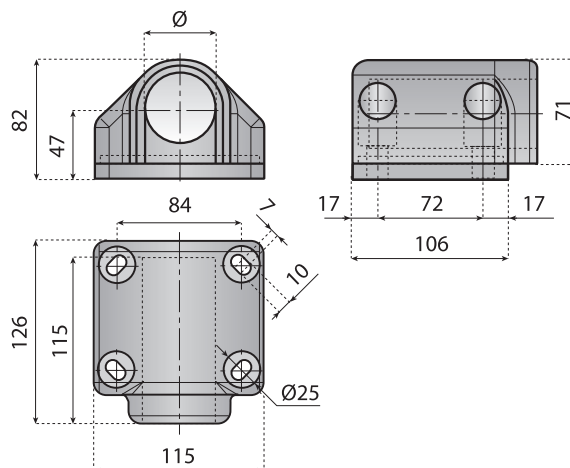
 Preferred type, readily available (codes marked in red)




SIDE MOUNTING TOP BRACKET

Material: reinforced polyamide screw nut and washers in stainless steel AISI 304.

Code	DF For tube \varnothing	
14100	48.3	n°25
14101	50.9	

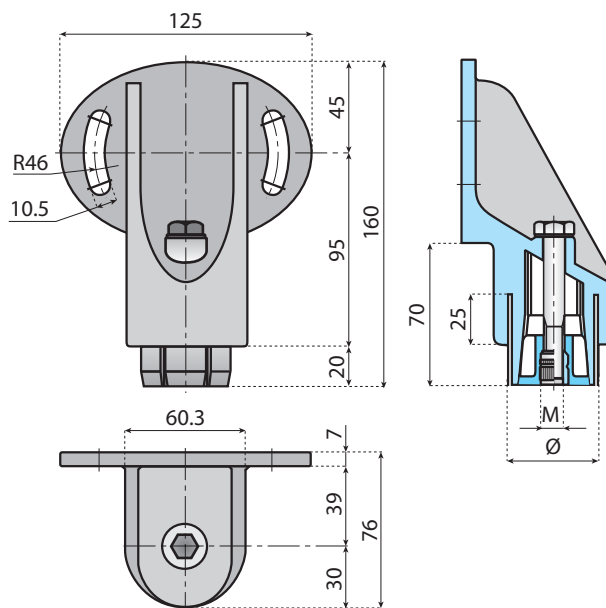


SIDE MOUNTING TOP BRACKET

Code	DF For tube \varnothing	
14053	48.3	n°25

SIDE MOUNTING TOP BRACKETS

 Preferred type, readily available (codes marked in red)



AISI 304
Stainless steel



Nickel plated brass



Reinforced
polyamide




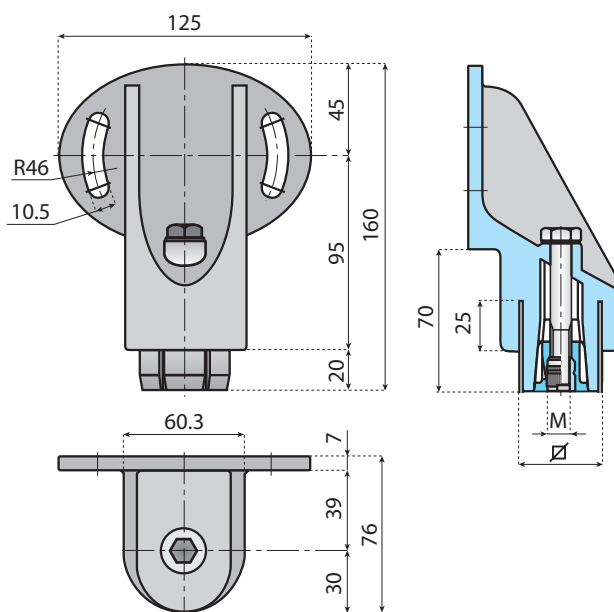
SIDE MOUNTING TOP BRACKET
with expansion plug for round
tubes $\varnothing 48.3 \times 1.5$ mm

Components: external part in reinforced polyamide.
Conical insert in reinforced polyamide.
Threaded bushing in nickel plated brass.
Bolt and washer in stainless steel.

Note: max recommended tightening torque 2.5 Kgm.

Application: the bracket can be inclined by 30°.

Code	M	For tube \varnothing	
14071	8	48.3	n°25
14070	10	48.3	
14068	8	50.9	
14069	10	50.9	




SIDE MOUNTING TOP BRACKET
with expansion plug for square
tubes 40x40x2 mm

Components: external part in reinforced polyamide.
Conical insert in reinforced polyamide.
Threaded bushing in nickel plated brass.
Bolt and washer in stainless steel.

Note: max recommended tightening torque 2.5 Kgm.

Application: the bracket can be inclined by 30°.

Code	M	For tube \square	
14073	8	40x40	n°25
14072	10	40x40	

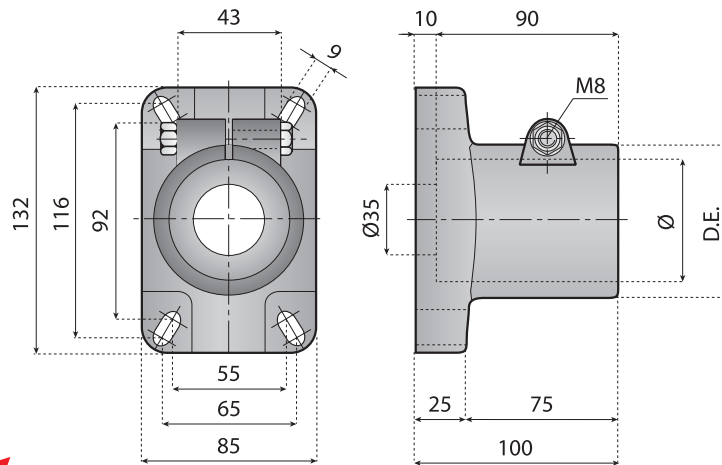
 Preferred type, readily available (codes marked in red)



AISI 304
Stainless steel




Reinforced
polyamide

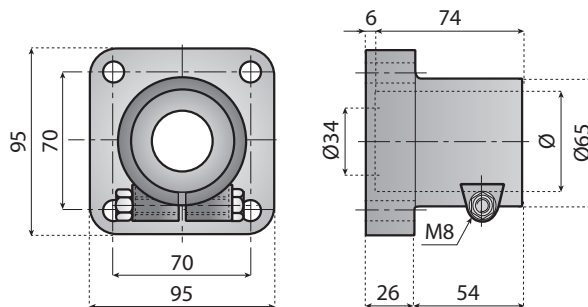


IMPROVED DESIGN

SUPPORT HEAD

Material: reinforced polyamide;
screw, nut and washers in stainless steel AISI 304.
Note: max. recommended tightening torque 2 Kgm.


Code	For tube Ø	D.E.	
14741	48.3	65	
14740	50.9	65	n°25
14739	60.3	76	



IMPROVED DESIGN

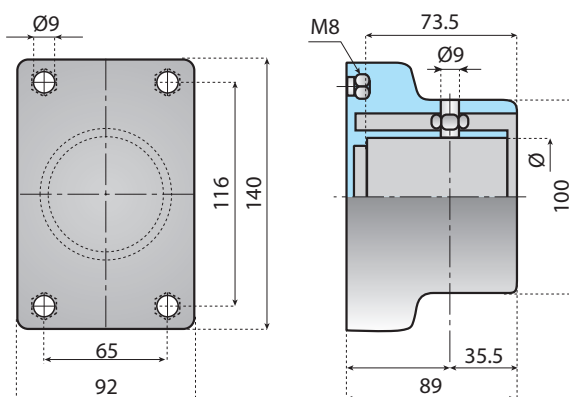
SUPPORT HEAD

Material: reinforced polyamide;
screw, nut and washer in S/S AISI 304.
Note: max recommended tightening torque 2 Kgm.

Code	Ref.	For tube Ø	For tube ∇	
14050		48.3	-	
14051		50.9	-	n°25
14S00092	VG-307SQ-T40-M	-	40x40	

SUPPORT HEADS

 Preferred type, readily available (codes marked in red)



AISI 304
Stainless steel



Nickel plated brass





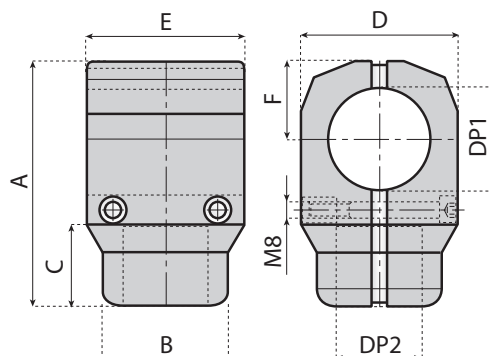
Reinforced
polyamide

EXTRA SUPPORT HEAD

Material: polyamide, stainless steel bolts.

Note: max. recommended tightening torque 1.5 Kgm.


Code	For tube \varnothing		
14052	60.3	n°25	Black

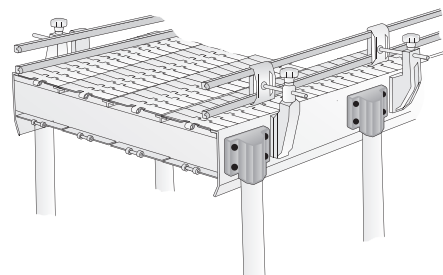
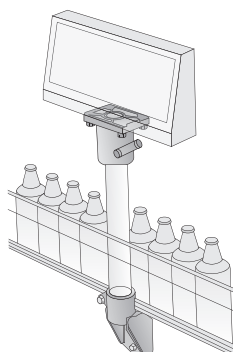
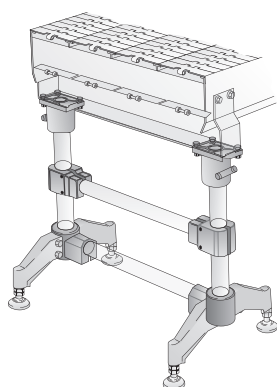


CONNECTING JOINT

Material: reinforced polyamide, screws in stainless steel AISI 304, bushings in nickel plated brass.

Note: max. recommended tightening torque 1.5 Kgm.

Code	For tubes \varnothing		A	B	C	D	E	F	
	DP1	DP2							
14747	48.3	32	116	57	40	70	74	36	n°25
14733	48.3	42.4	122	62	40	78	78	39	
14732	50.9	42.4	122	62	40	78	78	39	
14746	60.3	42.4	130	65	41	82	82	42.5	



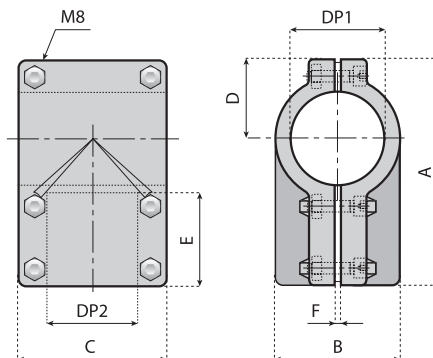
 Preferred type, readily available (codes marked in red)



AISI 304
Stainless steel



Reinforced
polyamide

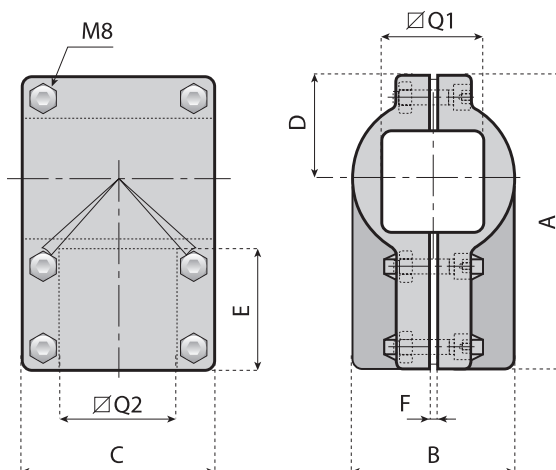


CONNECTING JOINT

Material: reinforced polyamide, screws and nuts in stainless steel AISI 304.

Note: max. recommended tightening torque 1.5 Kgm.

Code	For round tubes Ø		A	B	C	D	E	F	n°25
	DP1	DP2							
14729	42.4	42.4	134	68	86	45	60	3	n°25
14734	48.3	42.4	134	68	86	45	60	3	n°25
14726		48.3							
14725	50.9	42.4	146	80	98	51	60	3	n°25
14724		48.3							
14743	60.3	50.9	146	80	98	51	60	3	n°25
14737		42.4							
14723	60.3	48.3	146	80	98	51	60	3	n°25
14722		50.9							
14738		60.3							



EXTRA RIGID CONNECTING JOINT

Material: reinforced polyamide, screws and nuts in stainless steel AISI 304.

Note: max. recommended tightening torque 1.5 Kgm.

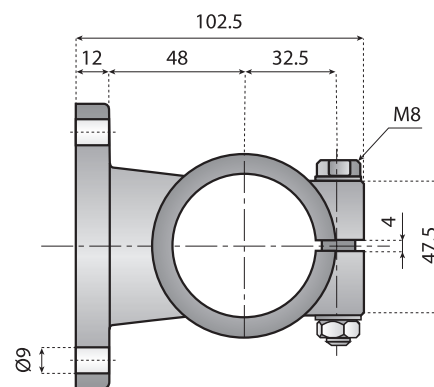
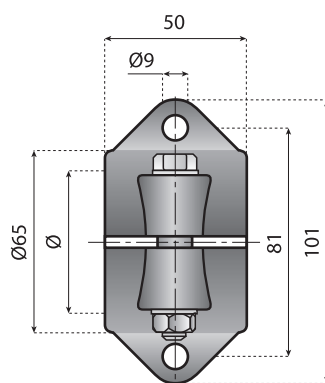
Code	For square tubes		A	B	C	D	E	F	n°25
	ØQ1	ØQ2							
14719	40	40	134	68	86	45	60	3	n°25
14720	45	45	146	80	98	51	60	3	n°25
14721	50	50	146	80	98	51	60	3	n°25

CONNECTING JOINTS

 Preferred type, readily available (codes marked in red)

SS
304
AISI 304
Stainless steel


PA
FG
Reinforced
polyamide



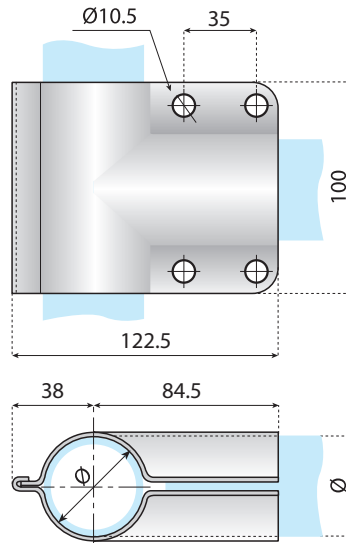
CONNECTING JOINT

Material: reinforced polyamide, screws and nuts in stainless steel AISI 304.

Note: max. recommended tightening torque 1.5 Kgm.

Code	For tube Ø	
14042	48.3	n°25
14043	50.9	

 Preferred type, readily available (codes marked in red)



SS 304
AISI 304
Stainless steel


CONNECTING JOINT

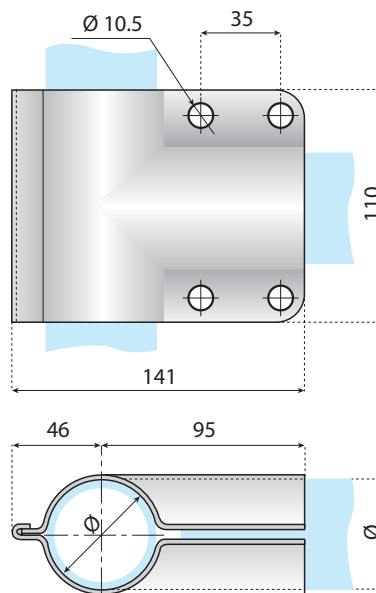
Thickness: $S = 2$ mm.

Surface: tumbling finish.

Use: with tubes $\varnothing 48.3$ mm.

Note: the connecting joint is supplied without screws.

Code	For tube \varnothing		Material
13827	48.3	n°25	SS AISI 304




CONNECTING JOINT

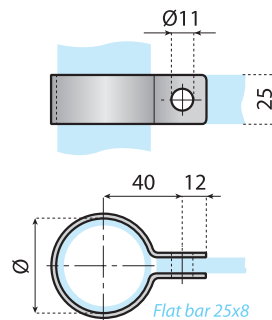
Thickness: $S = 2$ mm.

Surface: tumbling finish.

Use: with tubes $\varnothing 60.3$ mm.

Note: the connecting joints supplied without screws.

Code	For tube \varnothing		Material
13828	60.3	n°25	SS AISI 304




CONNECTING JOINT

Thickness: $S = 2.5$ mm.

Surface: tumbling finish.

Use: with tubes $\varnothing 48.3$ mm and flat bar 25x8 mm.

Note: the connecting joints is supplied without screws.

Code	Flat bar	For tube \varnothing		Material
13981	25 x 8	48.3	n°50	SS AISI 304

CONNECTING JOINTS

 Preferred type, readily available (codes marked in red)



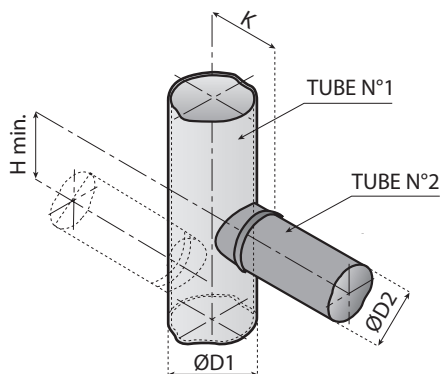
AISI 304
Stainless steel



Nickel plated brass



Reinforced polyamide



CONNECTING JOINT

Components and material:

- Conical bushing in nickel plated brass.
- Expansion plug in reinforced polyamide.
- Adaptor plug in reinforced polyamide.
- Screw M8x50 in stainless steel.
- Closing cap in polyamide.

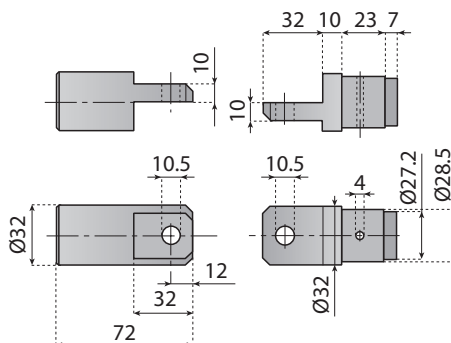
Use: these joints connect different tubes at different angles.

Special design provides a simple method of joining tubes for maximum cleanliness.

Note: tube deformation occurs with a tightening torque of 2.5 Kgm thus preventing accidental unscrewing of the plug due to structure vibrations.

Code	Tube N°1			Tube N°2			K	H
	Ext. Ø D1	Wall S1	Ext. Ø D2	Wall S2				
14815	38	—	38	1.5	32	43		
14816	42.4	1 1/4	38	1.5	34.2	43		
14817	42.4	1 1/4	42.4	1.5	34.2	47		
14818	48.3	1 1/2	38	1.5	37.2	43		
14819	48.3	1 1/2	42.4	1.5	37.2	47		
14821	60.3	2	42.4	1.5	43.2	47		

• application with any thickness.



KNUCKLE JOINT FOR TUBE Ø 32 mm

Material: reinforced polyamide; screws and nut is stainless steel AISI 304

Application: with connecting joint code 14747 and tube Ø 32 mm, 1,5 wall.

Supply: assembled.

Code

14736



n°50

EXPANSION PLUGS FOR ROUND TUBES

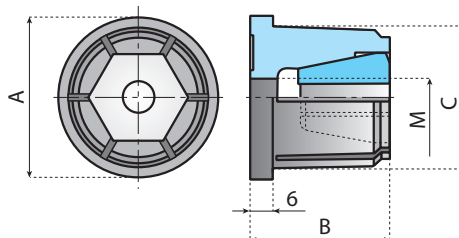
 Preferred type, readily available (codes marked in red)



Nickel plated brass



Reinforced polyamide



EXPANSION PLUG

Components and material:

External part in reinforced polyamide.

Conical insert available in two materials:


- version in nickel plated brass;
- version in polyamide with nut;

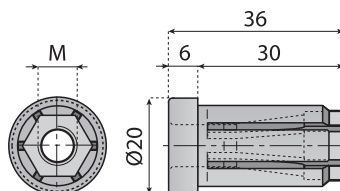
Notes: bolt and washer are not included.

Technical information:

- Version with nickel plated brass insert:
max. load for removal Kgf 420
(static conditions).
- Version with polyamide insert:
max. load for removal Kgf 350
(static conditions).

Code

Version with brass bush	Version with polyamide bush	M	Dimensions mm			Tube dimensions			n°50
			A	B	C	Ext. Ø	Int. Ø	Wall	
14001	14003	10	38	42	34.8	38	35	1.5	
14002	14004	8	38	42	34.8	38	35		
14749	14005	10	44.5	42	39.2	42.4	39.4		
14753	14006	8	44.5	42	39.2	42.4	39.4		
-	14018	10	48.5	50	44.7	48.3	45.3		
-	14017	8	48.5	50	44.7	48.3	45.3		



EXPANSION PLUG for round tubes


Components:

External part in reinforced polyamide.

Conical insert in nickel plated brass.

Technical information:

Max. load for removal Kgf 300
(static conditions).

Code	Colour	M	For round tube	
14352	Black	8	20 x 1.5	n°50
14353	Black	10	20 x 1.5	

EXPANSIONS PLUG FOR SQUARE TUBES

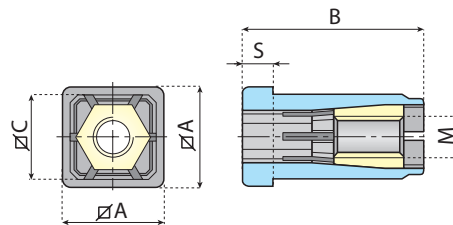
 Preferred type, readily available (codes marked in red)



Nickel plated brass



Reinforced polyamide



EXPANSION PLUG for square tubes

☒ 40x40

☒ 20x20

Components and material:

External part in reinforced polyamide.

Conical insert in nickel plated brass with polyamide.

Technical information:


tube 40x40

max. load for removal Kgf 400 (static conditions).

Tube 20x20

max. load for removal Kgf 300 (static conditions).

Supply: assembled.

Code	Dimensions mm					Tube dimension			n°50
	S	M	A	B	C	Ext.	Int.	Wall	
14019	6	8	20x20	36	17	20x20	17	1.5	
14020	6	10	20x20	36	17	20x20	17	1.5	
14021	6	8	20x20	36	16	20x20	16	2	
14022	6	10	20x20	36	16	20x20	16	2	
14015	10	8	40x40	57	35.5	40x40	36	2	
14016	10	10	40x40	57	35.5	40x40	36	2	

THREADED TUBE ENDS FOR ROUND TUBES

 Preferred type, readily available (codes marked in red)



Nickel plated brass Polyamide




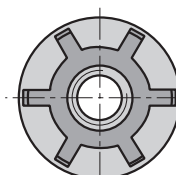
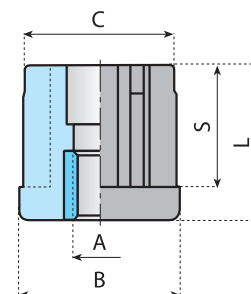
THREADED TUBE ENDS FOR ROUND TUBES

Material: polyamide, threaded bushing in nickel plated brass.

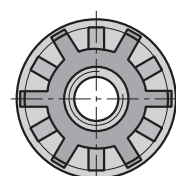
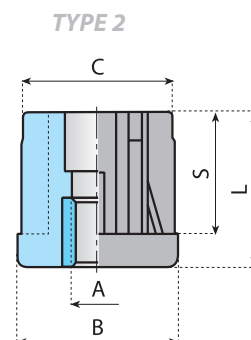
Ø mm	Round tubes							
	Max static load							
N	30	38	40	42	48	50	54	60
	3000	5000	5500	6000	6000	6500	6500	8000

FOR FURTHER INFORMATION ABOUT THIS LINE PLEASE CONSULT THE PRESSO-LINE CATALOGUE.

Code	Type	A	B mm	C mm	L mm	S mm	Ext. Ø mm	Int. Ø mm	Thickness mm	
14799		M10								
14800	1	M12	30	28.4	35	29	30	28	1	n°50
14801		M14								
14773		M10								
14752	1	M12	38	35.5	46.5	38	38	35	1.5	n°50
14774		M14								
14764		M16								
14859	1	M10	40	36.4	43	34.5	40	36	2	n°50
14860		M12								
14775		M10								
14763	1	M12	42	39.9	45.5	38	42.4	39.4	1.5	n°50
14776		M14								
14750		M16								
14765		M20								
14766		M12								
14777	1	M14	48	45.8	55	45	48.3	45.3	1.5	n°50
14767		M16								
14751		M20								
14754		M12								
14778	1	M14	50	48.4	49	38	50.9	47.9	1.5	n°50
14755		M16								
14768		M20								
14835	2	M14	54	50.5	55	45	54	50	2	n°50
14836		M16								
14837		M20								
14791	2	M16	60	58	50	38	60.3	57.3	1.5	n°50
14792		M20								
14793	2	M16	60	57	50	38	60.3	56.3	2	n°50
14794		M20								
14802		M16								
14803	2	M20	60	56	50	38	60.3	55.3	2.5	n°50
14804		M24								



TYPE 1



STATED LOAD VALUES ARE MEANT FOR STATIC CONDITIONS. SUCH VALUES HAVE TO BE ADEQUATELY REDUCED IN PRESENCE OF HIGH FREQUENCY VIBRATIONS OR DYNAMIC LOADS. FOR FURTHER INFORMATION CONTACT OUR TECHNICAL OFFICE.

THREADED TUBE ENDS FOR SQUARE TUBES

 Preferred type, readily available (codes marked in red)



Polyamide Nickel plated brass



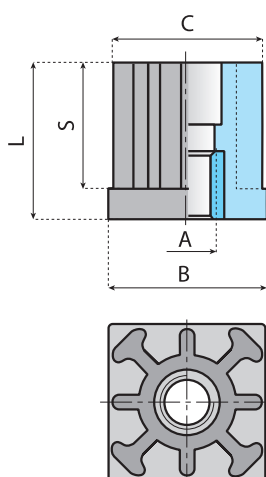
THREADED TUBE ENDS FOR SQUARE TUBES


Material: polyamide, threaded bushing in nickel plated brass.

Square tubes
Max static load

Ø mm	25	30	35	38	40	50	60
N	5000	5500	5500	6000	6000	10000	12000

FOR FURTHER INFORMATION
ABOUT THIS LINE PLEASE
CONSULT THE PRESSO-LINE
CATALOGUE.



Code	A	B mm	C mm	L mm	S mm	Square tube			
						Ext. Ø mm	Int. Ø mm	Thickness mm	
14824	M8								
14822	M10	25	22.5	30	25	25	22	1.5	n°50
14823	M12								
14779	M10								
14780	M12	30	27.5	33	27	30	27	1.5	n°50
14781	M14								
14782	M16								
14810	M10								
14811	M12	30	26.5	33	27	30	26	2	n°50
14812	M14								
14813	M16								
14805	M10								
14806	M12								
14807	M14	35	32.5	43	35	35	32	1.5	n°50
14808	M16								
14809	M20								
14825	M10								
14826	M12								
14827	M14	35	31.5	43	35	35	31	2	n°50
14828	M16								
14829	M20								
14783	M10								
14756	M12								
14784	M14	38	35.4	43	35	38.1	34.9	1.6	n°50
14757	M16								
14785	M20								
14786	M10								
14758	M12								
14759	M14	38	32.6	43	35	38.1	32.1	3	n°50
14787	M16								
14788	M20								
14790	M10								
14769	M12								
14770	M14	40	37.5	55	45	40	37	1.5	n°50
14771	M16								
14772	M20								
14600	M10								
14601	M12								
14602	M14	40	36.5	55	45	40	36	2	n°50
14603	M16								
14604	M20								
14605	M12								
14606	M14	50	47.5	55	44	50	47	1.5	n°50
14607	M16								
14608	M20								
14609	M12								
14610	M14	50	46.5	55	44	50	46	2	n°50
14611	M16								
14612	M20								
14795	M12								
14796	M14	50	45.5	55	44	50	45	2.5	n°50
14797	M16								
14798	M20								
14830	M14								
14831	M16	60	56.5	55	45	60	46	2	n°50
14832	M20								

 Preferred type, readily available (codes marked in red)



AISI 304
Stainless steel



Nickel plated brass



Reinforced
polyamide



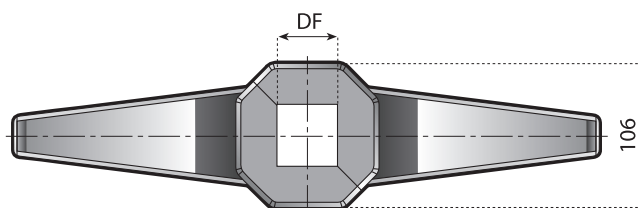
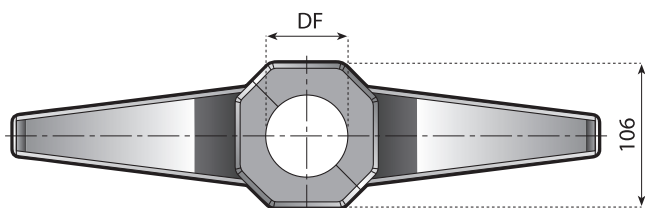
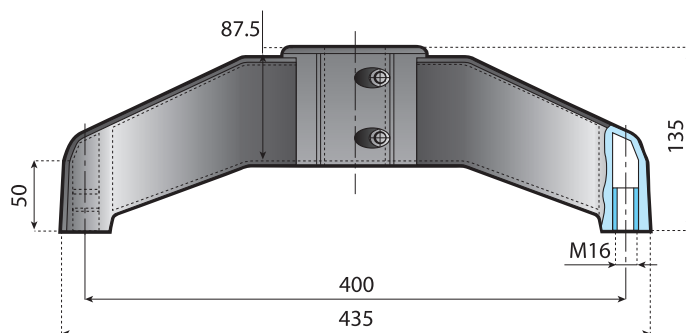
- Reinforced design
- Completely closed structure
easier to clean and to disinfect


COMPLETELY CLOSED VERSION


This split version permits a better clamping of both round and square tubes.
Each bipod is supplied complete with ultrasonic welded protection coverings, which prevent dirt, dust or liquid infiltration in the lower part of the base.

SPLIT BIPODS

Material: reinforced polyamide threaded bushings in nickel plated brass fasteners in stainless steel AISI 304.

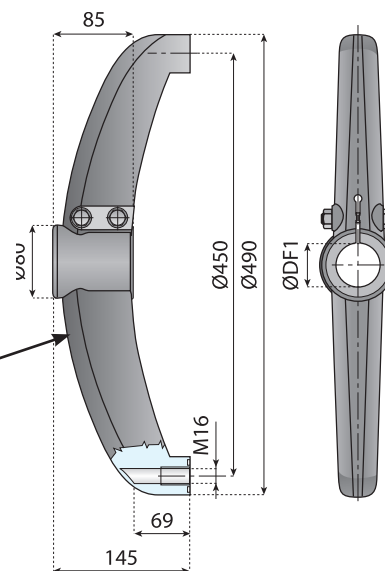
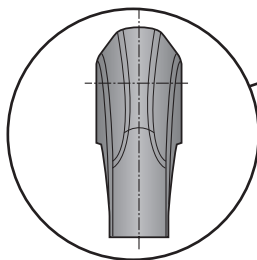


Code	DF - for tube Ø		
	mm	inch.	
15502	48.3	1. 1/2	n°15
15501	60.3	1. 1/4	

Code	DF - for square tube ∅		
	mm	inch.	
15499	45x45	–	n°15
15500	50x50	2.38x2.38	

SUPPORT BASES

 Preferred type, readily available (codes marked in red)



AISI 304
Stainless steel



Nickel plated brass



Reinforced
polyamide



Zinc plated steel


Features:
Increased stability
Self cleaning design

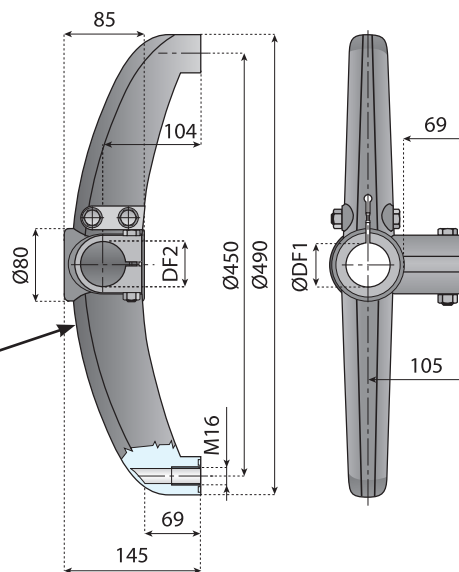
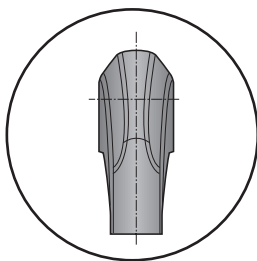


BIPODS

Material: reinforced polyamide threaded bushings and spacers in nickel plated brass.

Fasteners: see table on the right.

Code	DF1 - for tube Ø		Fasteners	
	mm	inch.		
15055	38.1	-	Zinc plated steel	n°15
15057	42.4	1.1/4		
15059	48.3	1.1/2		
15061	50.9	-		
15063	60.3	2		
15056	38.1	-	Stainless steel AISI 304	n°15
15058	42.4	1.1/4		
15060	48.3	1.1/2		
15062	50.9	-		
15064	60.3	2		




Features:
Increased stability
Self cleaning design



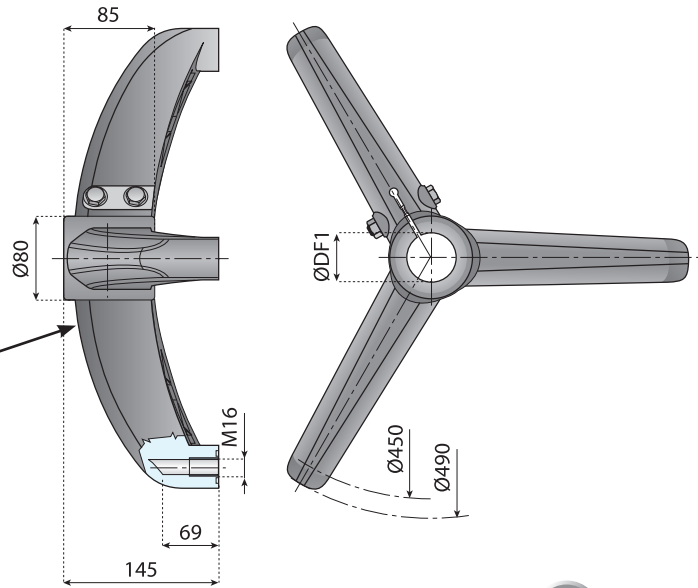
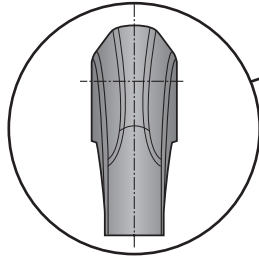
BIPODS 180° WITH JOINT

Material: reinforced polyamide threaded bushings and spacers in nickel plated brass.

Fasteners: see table on the right.

Code	DF1 - for tube Ø		DF2 - for tube Ø		Fasteners	
	mm	inch.	mm	inch.		
15065	42.4	1.1/4	42.4	1.1/4	Zinc plated steel	n°15
15067	48.3	1.1/2				
15069	50.9	-				
15071	60.3	2				
15066	42.4	1.1/4				
15068	48.3	1.1/2	42.4	1.1/4	Stainless steel AISI 304	n°15
15070	50.9	-				
15072	60.3	2				
15073	48.3	1.1/2				
15075	50.9	-				
15077	60.3	2	48.3	1.1/2	Zinc plated steel	n°15
15074	48.3	1.1/2				
15076	50.9	-				
15078	60.3	2				

 Preferred type, readily available (codes marked in red)



Features:
Increased stability
Self cleaning design



TRIPODS

Material: reinforced polyamide threaded bushings and spacers in nickel plated brass.

Fasteners: see table on the right.

Code	DF1 - for tube Ø		Fasteners	n°15
	mm	inch.		
15079	38.1	-	Zinc plated steel	n°15
15081	42.4	1.1/4		
15083	48.3	1.1/2		
15085	50.9	-		
15087	60.3	2		
15080	38.1	-	Stainless steel AISI 304	n°15
15082	42.4	1.1/4		
15084	48.3	1.1/2		
15086	50.9	-		
15088	60.3	2		



AISI 304
Stainless steel



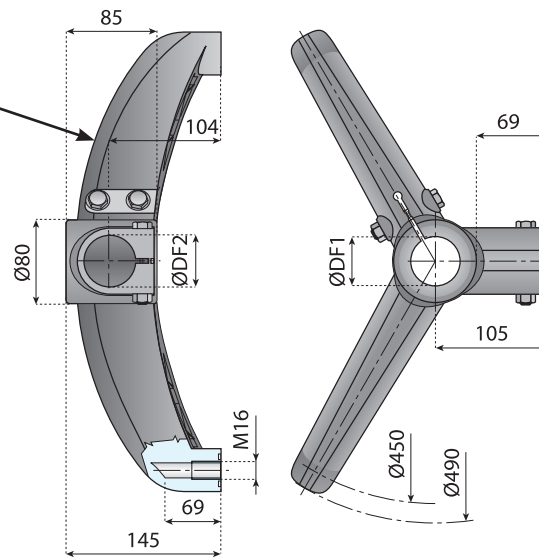
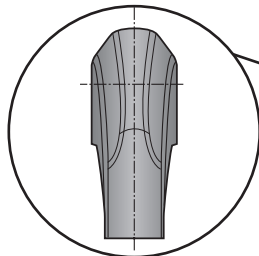
Nickel plated brass



Reinforced polyamide



Zinc plated steel



Code	DF1 - for tube Ø		DF2 - for tube Ø		Fasteners	n°15
	mm	inch.	mm	inch.		
15089	42.4	1.1/4	-	-	Zinc plated steel	n°15
15091	48.3	1.1/2	42.4	1.1/4		
15093	50.9	-	-	-		
15095	60.3	2	-	-	Stainless steel AISI 304	n°15
15090	42.4	1.1/4	42.4	1.1/4		
15092	48.3	1.1/2	-	-		
15094	50.9	-	-	-		
15096	60.3	2	-	-		
15097	48.3	1.1/2	-	-	Zinc plated steel	n°15
15099	50.9	-	48.3	1.1/2		
15101	60.3	2	-	-		
15098	48.3	1.1/2	-	-	Stainless steel AISI 304	n°15
15100	50.9	-	48.3	1.1/2		
15102	60.3	2	-	-		



Features:
Increased stability
Self cleaning design



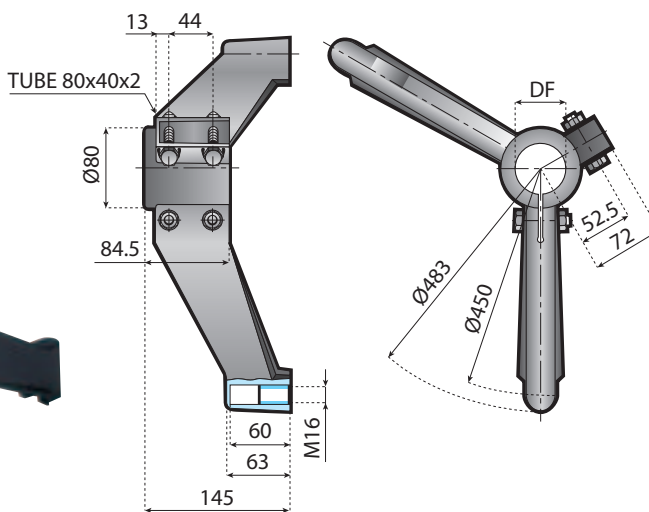
BIPODS 120° WITH JOINT

Material: reinforced polyamide threaded bushings and spacers in nickel plated brass.

Fasteners: see table on the right.

SUPPORT BASES

 Preferred type, readily available (codes marked in red)



AISI 304
Stainless steel



Nickel plated brass



Reinforced
polyamide




Zinc plated steel

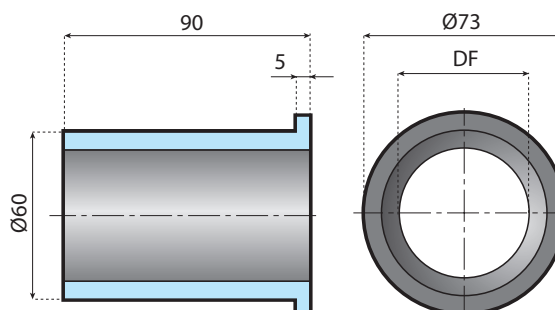
- Cross ribs
- Improved load resistance
- Increased thickness
- Improved flex resistance


BIPODS

Material: reinforced polyamide threaded bushings and spacers in nickel plated brass.

Fasteners: see table on the right.

Code	DF - for tube Ø		Fasteners	
	mm	inch.		
15704	42.4	1.1/4	Zinc plated steel	n°15
15508	48.3	1.1/2		
15817	50.9	-		
15512	60.3	2	Stainless steel	n°15
15705	42.4	1.1/4		
15509	48.3	1.1/2		
15825	50.9	-		
15513	60.3	2	AISI 304	



Code	DF - for tube Ø			Material
	mm	inch.		
15204	50.9	-	n°25	PA
15205	48.3	1.1/2		
15206	42.4	1.1/4		
15207	50	-		

REDUCTION BUSH



Technical information
Chemical resistance

CHEMICAL RESISTANCE

Data shown in the table was taken from laboratory tests performed on unstrained samples and are merely indicative.

Chemical resistance under normal working conditions can depend on various factors, such as stress and temperature, concentration of the chemical agent and duration of its effects.

Chemical agent	METALS							PLASTICS						RUBBERS											
	EXTRA		AISI 304		AISI 316		OT.NI	POM		PBT	PP		PA	PE	EPDM	NBR	SEBS	VITON							
	C %		C %		C %		C %		C %		C %		C %		C %		C %								
Acetic Acid	5	☆	20	☆	100	☆	○	5	●	10	☆	40	☆	10	●	10	☆	25	☆	●	25	○	20	●	
Acetone		☆	25	☆		☆	☆		○		○		☆	100	☆		☆		☆	●		○		●	
Acrylonitrile						☆							☆	100	☆				☆	●		○		●	
Aluminium chloride				○	10	○							○	10	☆				☆	☆	☆	☆	SA	☆	
Aluminium sulphate					SA	☆							☆	10	☆				☆	☆	☆	☆	SA	☆	
Amyl alcohol				☆	☆					☆			☆	10	☆				☆			☆		☆	
Ammonia		☆	100	☆		☆	●		☆		○	30	☆	10	☆				☆	○		○		○	
Ammonium chloride				○		☆							10	☆	10	☆				☆	☆	☆	SA	☆	
Aniline		☆		☆		☆							☆	100	○	3	☆		●	●	●			☆	
Barium chloride				○	SA	☆							☆	10	☆				☆	☆	☆	☆		☆	
Beer		☆		☆		☆	☆		☆				☆		☆				☆	☆	☆	☆		☆	
Benzene		☆	70	○		☆			☆	●			☆					○	●			●			
Benzoic acid			100	☆	SA	☆				☆	SA	☆	SA	○				●	☆		●		☆		
Benzol				☆		☆	☆		☆		☆		○	100	☆			○	●	●	●			○	
Boric acid		○	SA	☆		☆				10	☆	SA	☆	10	☆	SA	☆		☆	☆	☆	☆	SA	☆	
Brine	10	●		○		☆					☆		○		○				☆	☆	☆	○		☆	
Butter				☆		☆	☆		☆		☆		☆		☆				☆	☆	☆	☆		☆	
Butyl acetate						☆					○		○	100	☆				○			○		●	
Butyl alcohol				☆									☆	100	☆				☆	○		☆		☆	
Butyl glycole						☆							☆	100	☆				☆			☆		☆	
Calcium chloride		●		○		☆	☆			☆	50	☆	10	☆	SA	☆			☆	☆	☆	SA	☆	☆	
Carbon sulphide				☆		☆			☆				☆	100	☆				●	●	●			☆	
Carbon tetrachloride			10	☆			☆	☆				●		☆					●					☆	
Chlorine water		●		●		○		●	●	●							●	3	○			3	○		
Chloroform		○	10	☆		☆	☆	●	●		○	100	●	●	●			●	●	●	●			☆	
Chromic acid			25	☆	50	○				○			1	○				50	○	●	50	●	50	☆	
Citric acid	10	☆		☆	SA	☆	●		○	10	☆	10	☆	10	○		☆		☆	☆	☆	☆	SA	☆	
Cyclohexane						☆				☆		☆	☆	100	☆			●	☆	●	●			☆	
Cyclohexanol						☆				☆		☆	☆	100	☆			●	☆	☆	○			☆	
Decalin						☆					○	○		☆				●	○		●	●		●	
Dioxane						☆				☆		○		☆				○	●	●					
Distilled water		☆	10	☆		☆	☆	☆		☆		☆		☆				☆				☆		●	
Ethyl acetate				○		☆					○		☆	100	☆				●					○	
Ethyl alcohol				☆				☆				96	☆	96	☆				○					☆	
Ethyl chloride				☆			○					●	100	☆		○			○					●	
Ethyl ether						☆					☆		☆	100	☆									☆	
Ferric chloride				○		☆				10	☆		☆	10	☆				☆	☆	☆	☆	SA	☆	
Food fats		☆	100	☆		☆		☆		☆				☆				○	☆	☆	○			☆	
Food oils		☆		☆		☆		☆			☆		☆	☆				☆	☆	☆	☆	☆		☆	
Formaldehyde		☆		☆		☆	☆	☆		☆	40	☆	30	☆		○		○	○	○	○	40	●		
Formic acid	2	○		●	100	☆	☆	10	●		○			10	●	10	●		☆	●	☆		○		
Freon 12				☆						☆				☆					☆	☆	☆			☆	
Fresh water		☆		☆		☆		☆		☆		☆		☆				☆	☆	☆	☆	☆		☆	
Fruit juice		☆		○		☆		☆		☆		☆		☆				☆	☆	☆	☆	☆		☆	
Gasoline		☆		☆		☆	○				○		○	☆		○		●	○	●				☆	
Glycerine		☆		☆		☆	☆	☆		☆		☆		☆		☆			☆	☆	☆	☆		☆	
Hydrochloric acid		●		●		●	○	35	●	20	○	30	☆		●	35	☆	15	☆	○	15	☆	37	☆	
Hydrofluoric acid				●		●							40	☆		●	70	☆		●				48	☆
Hydrogen peroxide	3	☆		☆	100	☆									●			30	○	●	30	●	90	☆	
Isopropyl alcohol						☆				☆		☆		☆					☆		☆	☆		☆	
Lactic acid		○				☆	●	☆	10	☆	20	☆		☆		☆		○	☆	☆	○		☆		
Linseed oil				☆		☆		☆		☆		☆		☆		☆		○	☆	●				☆	

CHEMICAL RESISTANCE

Data shown in the table was taken from laboratory tests performed on unstrained samples and are merely indicative.

Chemical resistance under normal working conditions can depend on various factors, such as stress and temperature, concentration of the chemical agent and duration of its effects.

Chemical agent	METALS					PLASTICS						RUBBERS							
	EXTRA	AISI 304	AISI 316	OT.NI	POM	PBT	PP	PA	PE	EPDM	NBR	SEBS	VITON						
	C %	C %	C %	C %	C %	C %	C %	C %	C %	C %	C %	C %	C %						
Magnesium chloride			○	☆			☆	☆	☆		☆	☆	☆	SA	☆				
Methyl acetate			○	☆			○	☆	☆		○	●	●		●				
Methyl alcohol		80	☆	☆	☆	☆	☆	☆	☆		☆	○	☆		○				
Methylene chloride		○	○	☆		●	●	○	☆		○	●	●		○				
Milk		☆	☆	☆	☆	☆	☆	☆	☆	☆	○	☆	☆		☆				
Mineral oil			☆	☆		☆	☆	☆	☆	☆	●	☆	●		☆				
Nitric acid	25	○	65	☆		☆		☆	●	○		10	●		70	☆			
Nitrobenzene				☆			☆	☆	○		●	●	○		○				
Oleic acid		○	☆	☆	☆		☆	☆	☆	○	●	○	●		○				
Oxalic acid			65	☆	☆			10	☆	☆	○	○	○		☆				
Paraffin				☆		☆	☆				☆	○		●					
Petroleum			☆	☆	☆	☆	☆	☆	☆	●	●	☆	●		☆				
Petroleum ether			☆	☆	☆	☆	○	☆	☆		●	●	●		☆				
Phenol			☆	☆			●	☆	●		○	●	○		☆				
Phosphoric acid	25	○		●	☆	●	●	☆	●	☆	☆	20	○	☆	85	☆			
Potassium bichromate				SA	☆			○	☆	○		☆	○	○	SA	☆			
Potassium bromite				☆				☆	☆		☆	☆	☆		☆				
Potassium hydroxide		☆	50	☆	☆	●	●	☆	☆	☆	☆	○	☆		☆				
Potassium permanganate			☆	☆				☆	☆	●		10	☆	●	10	○	☆		
Sea water		●	☆	☆	☆	☆	○	☆	☆	☆	☆	☆	☆	○		☆			
Silicone oil				☆				☆	☆	☆		☆	☆	☆		☆			
Silver nitrate			○	☆					☆	☆			○			☆			
Sodium carbonate		☆	100	☆	SA	☆	☆	10	☆	☆	☆	☆	☆	☆		☆			
Sodium chloride		○	○	☆	☆	☆			☆	☆	☆	☆	☆	☆	SA	☆			
Sodium hydroxide	40	☆		☆	60	☆		10	●			☆	○	☆					
Sodium hypochlorite			●	SA	○		●	10	○	☆	☆	☆	10	☆	●	10	○	5	☆
Sodium silicate			100	☆	☆					☆			☆	☆	☆		☆		
Sodium sulphate			100	☆	☆					☆			○	☆	☆		☆		
Soft drinks				☆	☆		☆	☆	☆	☆	☆	☆	☆	☆		☆			
Suds				☆	☆		☆	10	☆	☆	☆	☆	☆	☆		☆			
Sulphuric acid		●	●	○	☆	●	2	☆	☆	●	○	50	☆	●	50	○	95	☆	
Tartaric acid		☆	50	☆	☆	●	○	50	☆	☆	☆	☆	○	☆	☆		☆		
Tetrahydrofuran				☆					☆	○	☆		●	●	●	●			
Tetralin			●	☆					☆	●	☆		●	●	●		☆		
Tincture of iodine			○	☆	●				☆	●	☆		○	●	○		☆		
Toluol		☆		☆					☆	☆	☆		●	●	●		○		
Transformer oil		☆		☆					☆	○	☆		●	☆	●		☆		
Trichloroethylene			●	100	☆				●	○	○		●	●	●		☆		
Triethanolamin				☆					☆	☆	☆		○	●	○		●		
Turpentine		☆	☆	☆		●	☆					●	●		●				
Vaseline				☆					☆	☆	○	●	☆	●	●		☆		
Vegetable juice		☆	☆	☆		☆	☆	☆	☆	☆	☆	☆	☆	☆		☆			
Vegetable oils		☆	☆	☆		☆	●	☆	☆	☆	☆	○	☆	○		☆			
Vinegar		☆	☆	100	☆	☆	☆	10	☆	☆	☆	☆	25	☆	○	25	○	●	
Water and soap		☆	☆	☆		☆	☆	☆	☆	☆	☆	☆	☆	☆	☆		☆		
Whisky		☆	☆	☆	☆	☆	☆	☆	☆	☆	☆	☆	☆	☆	☆		☆		
Wine		☆	☆	☆	☆	☆	☆	☆	☆	☆	○	☆	☆	☆		☆			
Xilol		☆	☆	☆	○	●	☆	●	☆	☆	☆	●	●	●		☆			

ABBREVIATION

C = concentration
SA = saturated

☆ = good resistance
● = insufficient resistance (not recommended)

○ = fairly good resistance depending on use conditions
blank spaces = no tests performed

 Preferred type, readily available (codes marked in red)

INTERNATIONAL SYSTEM (SI) CONVERSION FACTORS

To convert SI (metrici)	Simbol SI	Divided by factor	To obtain
Length			
meter	m	0.3048	foot
centimeter	cm	30.48	foot
millimeter	mm	304.8	foot
meter	m	0.0254	inch
centimeter	cm	2.54	inch
millimeter	mm	25.4	inch
meter	m	1609.34	mile
kilometer	km	1.60934	mile
meter	m	0.9144	yard
Mass			
gram	g	28.3495	ounce (avoirdupois)
kilogram	kg	0.0283495	ounce (avoirdupois)
kilogram	kg	0.45359	pound (avoirdupois)
Velocity			
meter/minute	-	0.00508	foot/hour
meter/hour	-	0.3048	foot/hour
meter/minute	-	0.3048	foot/minute
meter/second	m/s	0.00508	foot/minute
meter/minute	-	18.288	foot/second
meter/second	m/s	0.3048	foot/second
Force			
newton	N	9.80665	kilogram-force
newton	N	0.27801	ounce-force
newton	N	4.44822	pound-force
newton/meter	N/m	175.1268	pound/inch
newton/meter	N/m	14.5939	pound/foot

APPLICATION TEMPERATURES

Material	Symbol	Min. Temp. °C	Max. temperature °C	
			Dry environment	Wet environment
Carbon steel	C45	- 70	180	not recommended
Ferritic stainless steel	Standard	- 30	400	130
Austenitic stainless steel	Austic	- 30	400	130
Acetal Resin	D,W	- 40	80	65
Low Friction Acetal resin	LF(all colors)	- 40	80	65
Polyamide	PA	0	90	90
Reinforced polyamide	PA FV	0	90	90
Polypropylene	PP	0	104	104
Reinforced polypropylene	PP FV	0	104	104
Polyethylene	PE	- 40	80	80

INDEX

Code	Page	Code	Page	Code	Page	Code	Page	
12025	180	12816AS	178	12890	55	13033V	237	
12025W	180	12816B	178	12890F	55	13034	236	
12026	180	12818	180	12891	55	13034V	237	
12026W	180	12820N	40	12892	50	13035	236	
12027	180	12820V	40	12892LN	53	13035V	237	
12027W	180	12821N	41	12892RN	51	13036	236	
12028	180	12821V	41	12894	54	13036V	237	
12028W	180	12822N	41	12895N	40	13037	233	
12300	179	12822V	41	12895V	40	13037V	233	
12301	179	12823N	41	12896N	40	13038	233	
12303N	40	12823V	41	12896V	40	13038V	233	
12303V	40	12824N	41	12897N	40	13039	233	
12304N	41	12824V	41	12897V	40	13039V	233	
12304V	41	12826	54	12898	43	13040	204	
12305N	41	12827N	41	12899	43	13041	204	
12305V	41	12827V	41	12918	54	13042	204	
12306	178	12828N	41	12919	54	13043	204	
12306AS	178	12828V	41	12974	292	13044	205	
12306B	178	12829	274	12975	292	13045	205	
12307N	40	12830	274	12976	292	13046	205	
12307V	40	12831	50	12977	292	13047	205	
12308	178	12831LN	53	12978	292	13048	205	
12308AS	178	12831RN	51	12979	292	13049	205	
12308G	178	12833	50	13001	130	13050	206	
12531	55	12833LN	53	13002	130	13051	206	
12532	55	12833RNF	51	13003	130	13052	206	
12533	55	12835	50	13004	130	13054	197	
12534	54	12835LN	53	13005	131	13055	197	
12535N	48	12835RN	51	13006	111	13056	197	
12535RN	49	12836	50	13006NV	110	13057	208	
12535V	48	12836LN	53	13007	114	13058	290	
12536N	48	12836RN	51	13008NV	117	13059	290	
12536RN	49	12837	50	13009NV	117	13060	290	
12536V	48	12837LN	53	13010NV	117	13061	290	
12696	273	12837RNF	51	13011NV	117	13062	290	
12697	273	12838	50	13012	116	13063	290	
12698	273	12838LN	53	13013	120	13064	290	
12700	273	12838RNF	51	13013S	120	13065	290	
12701	273	12839	55	13014	VG-012-01	120	13066	290
12702	273	12839F	55	13014L	VG-012-03	120	13076	290
12703	273	12840	55	13014S	VG-012-SH	120	13077	290
12704	273	12840F	55	13014SL	VG-012-03-SH	120	13078	290
12705	273	12841	54	13015		122	13079	290
12706	273	12842	54	13016		235	13080	290
12707	274	12843	54	13017		235	13081	290
12708	274	12844	54	13018		235	13088	196
12709	274	12845	54	13019		242	13089	196
12710	274	12846	54	13020		196	13093	258
12714	273	12847	54	13021		196	13100	205
12715	273	12848	54	13022		197	13101	205
12760	54	12849	54	13023		197	13102	205
12761	54	12850	42	13024		197	13104	258
12762	50	12855	42	13025		197	13104K	258
12762LN	53	12860N	41	13026		197	13105	258
12762RN	51	12860V	41	13027		197	13106	258
12763	50	12861N	41	13028		235	13107	258
12763LN	53	12861V	41	13029		235	13108	258
12763RNF	51	12862N	40	13030		235	13109	258
12797	54	12862V	40	13031		236	13110	258
12798	54	12863N	41	13031V		237	13111	258
12815N	40	12863V	41	13032		236	13112	258
12815V	40	12864N	41	13032V		237	13113	258
12816	178	12864V	41	13033		236	13114	259

Code	Page	Code	Page	Code	Page	Code	Page
13115	260	13169	116	13233	267	13292	199
13116	260	13170	116	13234	267	13293	199
13120	122	13171	135	13235	267	13294	199
13121	236	13172	135	13236	267	13296	239
13121V	237	13173	135	13237	267	13296V	234
13122	236	13174	135	13238	267	13296VA	234
13122V	237	13175	118	13239	267	13297	239
13123	236	13175F	119	13240	267	13297V	234
13123V	237	13176	118	13241	267	13297VA	234
13124	236	13176F	119	13242	267	13298	239
13124V	237	13177	118	13243	267	13298FP	239
13125	236	13177F	119	13244	267	13299	239
13125V	237	13178	118	13245	267	13299FP	239
13126	236	13178F	119	13249	207	13300	238
13126V	237	13180	247	13250	243	13301	238
13127	236	13181	247	13251	207	13302	238
13127V	237	13182	247	13252	244	13302FP	238
13128	236	13183	247	13253	243	13303	238
13128V	237	13184	130	13254	243	13303FP	238
13129	236	13185	200	13255	243	13310	250
13129V	237	13186	202	13256	243	13310V	249
13130	236	13187	241	13257	244	13311	250
13130V	237	13188	241	13258	244	13311V	249
13131	236	13189	242	13260	252	13312	250
13131V	237	13190	110	13260V	249	13312V	249
13132	236	13191	110	13261	252	13313	250
13132V	237	13192	111	13261V	249	13313FP	251
13135	246	13193	111	13262	252	13314	250
13139	246	13194	111	13262V	249	13314FP	251
13140	258	13195	114	13263	252	13315	250
13141	258	13196	115	13263V	249	13315FP	251
13142	258	13197	115	13264	252	13316	248
13143	258	13198	242	13264FP	253	13317	248
13144	246	13200	190	13265	252	13318	248
13145	259	13201	190	13265FP	253	13319	248
13146	259	13205	206	13266	252	13320	248
13147	259	13206	206	13266FP	253	13321	248
13148	262	13207	206	13267	252	13322	250
13149	271	13208	193	13267FP	253	13322V	249
13149SF	271	13209	193	13268	193	13323	250
13150	271	13210	193	13269	193	13323FP	251
13151	259	13211	191	13270	198	13326	195
13152	260	13212	191	13271	198	13327	195
13153	260	13213	194	13272	198	13328	195
13154	262	13214	194	13273	198	13332	195
13155	261	13215	194	13274	198	13333	195
13156	261	13216	194	13275	198	13334	195
13157	261	13217	194	13276	198	13338	294
13158	261	13218	194	13277	199	13340	295
13159	261	13219	194	13278	199	13341	293
13160	259	13220	194	13279	199	13342	294
13161	260	13221	195	13280	199	13343	293
13162	260	13222	195	13281	199	13344	294
13163	118	13223	195	13282	199	13345	293
13163F	119	13224	195	13283	199	13346	295
13164	118	13225	195	13284	199	13347	295
13164F	119	13226	195	13285	199	13348	294
13165	118	13227	194	13286	199	13349	294
13165F	119	13228	194	13287	199	13350	291
13166	118	13229	194	13288	199	13350A	291
13166F	119	13230	194	13289	199	13351	118
13167	116	13231	267	13290	199	13351F	119
13168	116	13232	267	13291	199	13352	118

INDEX

Code	Page	Code	Page	Code	Page	Code	Page
13352F	119	13428	291	13460A	291	13494	137
13353	118	13428A	291	13461	291	13495	137
13353F	119	13429	291	13461A	291	13496	137
13354	118	13429A	291	13462	291	13500	270
13354F	119	13430	291	13462A	291	13505	270
13355	293	13430A	291	13463	291	13506	270
13356	293	13431	291	13463A	291	13507	270
13357	293	13431A	291	13464	291	13508	270
13360V	248	13432	291	13464A	291	13509	266
13360VN	248	13432A	291	13465	291	13509H	266
13361V	248	13433	291	13465A	291	13509HV	266
13361VN	248	13433A	291	13466	291	13509V	264
13362V	248	13434	291	13466A	291	13510	264
13362VN	248	13434A	291	13467	291	13510H	266
13363V	248	13435	291	13467A	291	13510HV	266
13363VN	248	13435A	291	13468	291	13510V	264
13364V	248	13436	291	13468A	291	13511	264
13364VN	248	13436A	291	13469	291	13511H	266
13365V	248	13437	291	13469A	291	13511HV	266
13365VN	248	13437A	291	13470	291	13511V	264
13399	240	13438	291	13470A	291	13512	264
13400	240	13438A	291	13471	291	13512H	266
13401	296	13439	291	13471A	291	13512HV	266
13402	296	13439A	291	13472	291	13512V	264
13403	296	13440	291	13472A	291	13513	264
13404	296	13440A	291	13473	291	13513H	266
13405	296	13441	291	13473A	291	13513HV	266
13406	296	13441A	291	13474	292	13513V	264
13407	296	13442	291	13474A	292	13514	264
13408	296	13442A	291	13475	292	13514H	266
13409	296	13443	291	13475A	292	13514HV	266
13410	296	13443A	291	13476	292	13514V	264
13411	296	13444	291	13476A	292	13515	264
13412	296	13444A	291	13477	292	13515H	266
13413	296	13445	291	13477A	292	13515HV	266
13414	291	13445A	291	13478	292	13515V	264
13414A	291	13446	291	13478A	292	13516	264
13415	291	13446A	291	13479	292	13516H	266
13415A	291	13447	291	13479A	292	13516HV	266
13416	291	13447A	291	13480	292	13516V	264
13416A	291	13448	291	13480A	292	13517	264
13417	291	13448A	291	13481	292	13517H	266
13417A	291	13449	291	13481A	292	13517HV	266
13418	291	13449A	291	13482	292	13517V	264
13418A	291	13450	291	13482A	292	13518	264
13419	291	13450A	291	13483	292	13518H	266
13419A	291	13451	291	13483A	292	13518HV	266
13420	291	13451A	291	13484	292	13518V	264
13420A	291	13452	291	13484A	292	13519	264
13421	291	13452A	291	13485	292	13519H	266
13421A	291	13453	291	13485A	292	13519HV	266
13422	291	13453A	291	13486	292	13519V	264
13422A	291	13454	291	13486A	292	13520	264
13423	291	13454A	291	13487	292	13520H	266
13423A	291	13456	291	13487A	292	13520HV	266
13424	291	13456A	291	13488	292	13520V	264
13424A	291	13457	291	13488A	292	13521	264
13425	291	13457A	291	13489	292	13521H	266
13425A	291	13458	291	13489A	292	13521HV	266
13426	291	13458A	291	13489S	292	13521V	264
13426A	291	13459	291	13491	293	13522	264
13427	291	13459A	291	13492	293	13522H	266
13427A	291	13460	291	13493	293	13522HV	266

Code	Page	Code	Page	Code	Page	Code	Page
13522V	264	13585	202	13655L	255	13746	197
13523	264	13586	203	13655P	255	13747	197
13523H	266	13587	203	13656L	255	13748	197
13523HV	266	13588	203	13656P	255	13749	197
13523V	264	13589	203	13657L	255	13750	197
13524	264	13590	203	13657P	255	13751	197
13524H	266	13591	203	13658L	255	13752	232
13524HV	266	13592	203	13658P	255	13753	232
13524V	264	13593	203	13659L	255	13754	129
13525	131	13594	203	13659P	255	13755	129
13526	131	13595	203	13660L	255	13756	129
13527	131	13596	203	13660P	255	13757	129
13530	200	13597	203	13661L	255	13758	232
13531	200	13600	260	13661P	255	13760	190
13532	200	13601	260	13662L	255	13761XP	128
13533	200	13602	260	13662P	255	13764	191
13534	200	13603	260	13663L	255	13765	191
13535	200	13604	260	13663P	255	13767	190
13536	201	13605	260	13664L	255	13768	190
13537	201	13606	260	13664P	255	13769	193
13538	201	13607	260	13665L	255	13770XP	128
13539	201	13608	260	13665P	255	13771	127
13540	201	13609	260	13666	254-256	13772	127
13541	201	13610	260	13667	254-256	13772XP	128
13542	201	13611	260	13668	254-256	13773	127
13543	201	13612	260	13669	254-256	13773XP	128
13544	201	13613	260	13670	254-256	13774	127
13545	201	13614	260	13671	254-256	13775	138
13546	201	13615	269	13692	193	13776	138
13547	201	13616	268	13693	193	13777	129
13550	296	13616H	268	13696	193	13778	129
13551	296	13617	268	13697	193	13779	129
13552	296	13617H	268	13715	137	13780	129
13553	296	13618	268	13716	137	13781	233
13554	296	13618H	268	13717	137	13781V	233
13555	296	13619	268	13718	137	13782	233
13556	296	13619H	268	13719	135	13782V	233
13557	296	13620	268	13720	131	13783	233
13558	296	13620H	268	13721	123	13783V	233
13559	296	13632	192	13722	123	13784	134
13560	296	13633	192	13723	123	13785	134
13561	296	13634	192	13724	123	13786	136
13562	296	13635	192	13725	123	13787	136
13563	296	13639	194	13726	123	13788	110
13564	296	13640	194	13727	123	13789	110
13565	296	13641	194	13728	123	13790	110
13566	296	13642	194	13729	125	13791	110
13567	296	13643	194	13730	124	13792	113
13568	296	13644	194	13731	124	13793	113
13569	296	13645	194	13732	124	13794	113
13570	296	13646	194	13733	124	13795	113
13571	296	13647	194	13734	124	13796	122
13572	296	13648	194	13735	124	13797	131
13573	296	13649	194	13736	124	13798	131
13574	296	13650	194	13737	135	13799	131
13575	296	13651L	255	13738	135	13800	181
13576	296	13651P	255	13739	135	13801	209
13577	296	13652L	255	13740	126	13802	209
13580	202	13652P	255	13741	126	13803	209
13581	202	13653L	255	13742	126	13804	209
13582	202	13653P	255	13743	126	13805	210
13583	202	13654L	255	13744NV	126	13806	210
13584	202	13654P	255	13745	125	13809	212

INDEX

Code	Page	Code	Page	Code	Page	Code	Page
13812	231	13875	194	13937	138	14010	62
13813	231	13876	194	13938	138	14011	62
13815	211	13877	194	13939	139	14012	62
13815W	211	13878	194	13940	139	14013	63
13816	211	13879	194	13941	140	14014	63
13816W	211	13880	195	13942	140	14015	320
13817	211	13881	195	13943	140	14016	320
13817W	211	13882	195	13944	140	14017	319
13818	211	13883	195	13945	140	14018	319
13818W	211	13884	195	13946	140	14019	72-320
13819	211	13885	195	13947	140	14020	72-320
13819W	211	13886	197	13948	140	14021	72-320
13820	211	13887	197	13950	140	14022	72-320
13820W	211	13888	197	13951	140	14040	316
13821	211	13889	204	13952	140	14041	316
13821W	211	13890	204	13953	140	14042	316
13822	211	13891	204	13954	141	14043	316
13822W	211	13892	205	13955	141	14050	313
13823	211	13893	205	13956	141	14051	313
13823W	211	13894	205	13957	141	14052	314
13824	211	13895	206	13958	141	14053	311
13824W	211	13896	206	13959	141	14068	312
13825	211	13897	206	13960	123	14069	312
13825W	211	13898	207	13961	123	14070	312
13826	211	13898	272	13962	123	14071	312
13826W	211	13899	272	13963	123	14072	312
13827	317	13900	208	13964	123	14073	312
13828	317	13901	138	13965	123	14075	23
13829	181	13902	138	13966	123	14076N	25
13831	212	13903	138	13967	123	14076V	25
13833	181	13904	138	13968	124	14077N	25
13834	135	13905	138	13969	124	14077V	25
13835	137	13906	138	13970	124	14078N	26
13836	134	13907	139	13971	124	14078V	26
13837	136	13908	139	13972	124	14079N	26
13846	272	13909	139	13973	124	14079V	26
13847	196	13910	139	13974	124	14080	29
13848	196	13911	139	13975	124	14080V	29
13849	196	13912	139	13977	125	14081	29
13851	191	13913	139	13978	125	14081V	29
13852	191	13914	139	13979	125	14082	28
13853	192	13915	139	13980	125	14083	28
13854	192	13916	139	13981	317	14084	28
13855	192	13917	139	13982	133	14085	28
13856	192	13918	140	13983	133	14087N	25
13857	192	13919	140	13984	133	14087V	25
13858	192	13920	140	13985	135	14088N	25
13859	192	13921	140	13986	135	14088V	25
13860	192	13922	140	13987	135	14090	22
13861	192	13923	140	13988	233	14090V	22
13862	192	13924	140	13988V	233	14091	22
13863	193	13925	140	13994	133	14091V	22
13864	193	13926	140	13995	132	14100	311
13865	193	13927	140	13996	132	14101	311
13866	193	13928	140	13997	132	14104	277
13867	193	13929	140	13999	233	14105	277
13868	194	13930	208	13999V	233	14106	276
13869	194	13931	208	14001	319	14106G	276
13870	194	13932	208	14002	319	14107	276
13871	194	13933	138	14003	319	14107G	276
13872	194	13934	138	14004	319	14108	23
13873	194	13935	138	14005	319	14109	23
13874	194	13936	138	14006	319	14110	24

Code	Page	Code	Page	Code	Page	Code	Page
14110T	24	14230	288	14726	315	14797	322
14110TV	24	14231	288	14729	315	14798	322
14110V	24	14232	288	14732	314	14799	321
14111	23	14234	288	14733	314	14800	321
14112	276	14235	288	14734	315	14801	321
14112G	276	14236	288	14736	318	14802	321
14113	276	14280	279	14737	315	14803	321
14113G	276	14280G	279	14738	315	14804	321
14114	278	14280G-SS	279	14739	313	14805	322
14114G	278	14280-SS	279	14740	313	14806	322
14115	278	14281	279	14741	313	14807	322
14116	278	14281G	279	14743	315	14808	322
14117	278	14281G-SS	279	14744	310	14809	322
14118	277	14281-SS	279	14744N	310	14810	322
14119	277	14290	280	14745	310	14811	322
14120	286	14300	73	14746	314	14812	322
14121	277	14319	61	14747	314	14813	322
14122	277	14320	60	14748	310	14815	318
14123	277	14321	60	14748N	310	14816	318
14124	277	14322	60	14749	319	14817	318
14125	277	14325	61	14750	321	14818	318
14126	277	14339	59	14751	321	14819	318
14128	277	14340	58	14752	321	14820	74
14129	277	14341	58	14753	319	14820B	74
14130	277	14342	58	14754	321	14821	318
14131	277	14343	73	14755	321	14822	322
14132	277	14344	73	14756	322	14823	322
14133	277	14345	59	14757	322	14824	322
14134	286	14346	72	14758	322	14825	322
14135	278	14347	30	14759	322	14826	322
14135G	278	14348	72	14763	321	14827	322
14136	276	14349	64	14764	321	14828	322
14136G	276	14350	64	14765	321	14829	322
14137	276	14351	64	14766	321	14830	322
14137G	276	14352	72-319	14767	321	14831	322
14140	278	14353	72-319	14768	321	14832	322
14141	278	14354	65	14769	322	14833	74
14142	278	14355	65	14770	322	14833B	74
14150	307	14356	65	14771	322	14834	74
14151	307	14357	66	14772	322	14834B	74
14152	307	14358	66	14773	321	14835	321
14153	307	14361	66	14774	321	14836	321
14154	307	14362	66	14775	321	14837	321
14155	308	14600	322	14776	321	14838	74
14156	308	14601	322	14777	321	14838B	74
14157	308	14602	322	14778	321	14841	74
14158	308	14603	322	14779	322	14841B	74
14159	308	14604	322	14780	322	14842	74
14160	279	14605	322	14781	322	14842B	74
14161	279	14606	322	14782	322	14843	74
14199	289	14607	322	14783	322	14843B	74
14200	289	14608	322	14784	322	14844	74
14201	289	14609	322	14785	322	14844B	74
14202	289	14610	322	14786	322	14845	74
14203	289	14611	322	14787	322	14845B	74
14204	289	14612	322	14788	322	14856	310
14205	289	14719	315	14790	322	14857	310
14206	289	14720	315	14791	321	14858	74
14207	289	14721	315	14792	321	14858B	74
14208	289	14722	315	14793	321	14859	321
14220	288	14723	315	14794	321	14860	321
14221	288	14724	315	14795	322	15055	324
14222	288	14725	315	14796	322	15056	324

INDEX

Code	Page	Code	Page	Code	Page	Code	Page
15057	324	16001ASS	170	16011L	173	16050AS	174
15058	324	16001L	170	16011V	173	16050ASS	174
15059	324	16001LSS	170	16012AS	173	16050B	174
15060	324	16001LX	169	16012L	173	16050BSS	174
15061	324	16001LXA	169	16012V	173	16050SS	174
15062	324	16001LXAS	169	16013AS	173	16051	174
15063	324	16001LXS	169	16013L	173	16051AS	174
15064	324	16001V	170	16013V	173	16051ASS	174
15065	324	16001VSS	170	16030	174	16051B	174
15066	324	16001VX	169	16030AS	174	16051BSS	174
15067	324	16001VXS	169	16030ASS	174	16051SS	174
15068	324	16002AS	170	16030B	174	16052	174
15069	324	16002ASS	170	16030BSS	174	16052AS	174
15070	324	16002L	170	16030SS	174	16052ASS	174
15071	324	16002LSS	170	16031	174	16052B	174
15072	324	16002LX	169	16031AS	174	16052BSS	174
15073	324	16002LXA	169	16031ASS	174	16052SS	174
15074	324	16002LXAS	169	16031B	174	16053	175
15075	324	16002LXS	169	16031BSS	174	16053AS	175
15076	324	16002V	170	16031SS	174	16053ASS	175
15077	324	16002VSS	170	16032	174	16053B	175
15078	324	16002VX	169	16032AS	174	16053BSS	175
15079	325	16002VXS	169	16032ASS	174	16053SS	175
15080	325	16003AS	170	16032B	174	16054	175
15081	325	16003ASS	170	16032BSS	174	16054AS	175
15082	325	16003L	170	16032SS	174	16054ASS	175
15083	325	16003LSS	170	16033	175	16054B	175
15084	325	16003LX	169	16033AS	175	16054BSS	175
15085	325	16003LXA	169	16033ASS	175	16054SS	175
15086	325	16003LXAS	169	16033B	175	16055	175
15087	325	16003LXS	169	16033BSS	175	16055AS	175
15088	325	16003V	170	16033SS	175	16055ASS	175
15089	325	16003VSS	170	16034	175	16055B	175
15090	325	16003VX	169	16034AS	175	16055BSS	175
15091	325	16003VXS	169	16034ASS	175	16055SS	175
15092	325	16004AS	171	16034B	175	16056	176
15093	325	16004ASS	171	16034BSS	175	16056AS	176
15094	325	16004L	171	16034SS	175	16056B	176
15095	325	16004LSS	171	16035	175	16057	176
15096	325	16004V	171	16035AS	175	16057AS	176
15097	325	16004VSS	171	16035ASS	175	16057B	176
15098	325	16005AS	171	16035B	175	16058	176
15099	325	16005ASS	171	16035BSS	175	16058AS	176
15100	325	16005L	171	16035SS	175	16058B	176
15101	325	16005LSS	171	16036	176	16059	177
15102	325	16005V	171	16036AS	176	16059AS	177
15204	326	16005VSS	171	16036B	176	16059B	177
15205	326	16006AS	171	16037	176	16060	177
15206	326	16006ASS	171	16037AS	176	16060AS	177
15207	326	16006L	171	16037B	176	16060B	177
15499	323	16006LSS	171	16038	176	16061	177
15500	323	16006V	171	16038AS	176	16061AS	177
15501	323	16006VSS	171	16038B	176	16061B	177
15502	323	16007AS	172	16039	177	16150	164
15508	326	16007L	172	16039AS	177	16150AS	164
15509	326	16007V	172	16039B	177	16150ASS	164
15512	326	16008AS	172	16040	177	16150B	164
15513	326	16008L	172	16040AS	177	16150SS	164
15704	326	16008V	172	16040B	177	16150SSB	164
15705	326	16009AS	172	16041	177	16151	164
15817	326	16009L	172	16041AS	177	16151AS	164
15825	326	16009V	172	16041B	177	16151ASS	164
16001AS	170	16011AS	173	16050	174	16151B	164

Code	Page	Code	Page	Code	Page	Code	Page
16151SS	164	16164AS	165	16302V	154	16555	152
16151SSB	164	16164ASS	165	16303	154	16555K	152
16152	164	16164B	165	16303AS	154	16600	148
16152AS	164	16164SS	165	16303V	154	16600K	148
16152ASS	164	16164SSB	165	16305	153	16600V	148
16152B	164	16165	165	16305AS	153	16600W	148
16152SS	164	16165AS	165	16305ASS	153	16605	149
16152SSB	164	16165ASS	165	16305SS	153	16605K	149
16153	165	16165B	165	16305SSV	153	16605V	149
16153AS	165	16165SS	165	16305V	153	16605W	149
16153ASS	165	16165SSB	165	16351	163	16610	148
16153B	165	16166AS	166	16351AS	163	16610K	148
16153SS	165	16166ASS	166	16351ASS	163	16610V	148
16153SSB	165	16166SS	166	16351B	163	16610W	148
16154	165	16166SSB	166	16351SS	163	16615	149
16154AS	165	16167AS	166	16351SSB	163	16615K	149
16154ASS	165	16167ASS	166	16352	163	16615V	149
16154B	165	16167SS	166	16352AS	163	16615W	149
16154SS	165	16167SSB	166	16352ASS	163	16650	148
16154SSB	165	16168AS	166	16352B	163	16650K	148
16155	165	16168ASS	166	16352SS	163	16650V	148
16155AS	165	16168SS	166	16352SSB	163	16650W	148
16155ASS	165	16168SSB	166	16353ASS	163	16651	149
16155B	165	16200	168	16353SS	163	16651K	149
16155SS	165	16200AS	168	16353SSB	163	16651V	149
16155SSB	165	16200ASS	168	16400AS	173	16651W	149
16156AS	166	16200B	168	16400L	173	16655	148
16156ASS	166	16200SS	168	16400V	173	16655K	148
16156SS	166	16200SSB	168	16401AS	173	16655V	148
16156SSB	166	16201	168	16401L	173	16655W	148
16157AS	166	16201AS	168	16401V	173	16656	149
16157ASS	166	16201ASS	168	16402AS	173	16656K	149
16157SS	166	16201B	168	16402L	173	16656V	149
16157SSB	166	16201SS	168	16402V	173	16656W	149
16158AS	166	16201SSB	168	16449	97-182	16660	148
16158ASS	166	16202	168	16449L	97	16660K	148
16158SS	166	16202AS	168	16450	97-182	16660V	148
16158SSB	166	16202ASS	168	16450L	97	16660W	148
16160	164	16202B	168	16451	167	16665	149
16160AS	164	16202SS	168	16451AS	167	16665K	149
16160ASS	164	16202SSB	168	16451ASS	167	16665V	149
16160B	164	16203	168	16451B	167	16665W	149
16160SS	164	16203AS	168	16451SS	167	16683AS	171
16160SSB	164	16203ASS	168	16451SSB	167	16683ASS	171
16161	164	16203B	168	16452	167	16683L	171
16161AS	164	16203SS	168	16452AS	167	16683LSS	171
16161ASS	164	16203SSB	168	16452ASS	167	16683V	171
16161B	164	16204AS	168	16452B	167	16683VSS	171
16161SS	164	16204ASS	168	16452SS	167	16684AS	171
16161SSB	164	16204SS	168	16452SSB	167	16684ASS	171
16162	164	16204SSB	168	16453ASS	167	16684L	171
16162AS	164	16205AS	168	16453SS	167	16684LSS	171
16162ASS	164	16205ASS	168	16453SSB	167	16684V	171
16162B	164	16205SS	168	16456	182	16684VSS	171
16162SS	164	16205SSB	168	16457	182	16685AS	171
16162SSB	164	16300	154	16500	152	16685ASS	171
16163	165	16300AS	154	16500K	152	16685L	171
16163AS	165	16300V	154	16505	152	16685LSS	171
16163ASS	165	16301	154	16505K	152	16685V	171
16163B	165	16301AS	154	16550	152	16685VSS	171
16163SS	165	16301V	154	16550K	152	16686AS	170
16163SSB	165	16302	154	16551	152	16686ASS	170
16164	165	16302AS	154	16551K	152	16686L	170

INDEX

Code	Page	Code	Page	Code	Page	Code	Page
16686LSS	170	16771D-SR	299	16778D	298	16921	144-146
16686LX	169	16771D-SS	299	16778D-SR	298	16921K	144-146
16686LXA	169	16771D-SSA	299	16778D-SS	298	16921V	144-146
16686LXAS	169	16771S	299	16778D-SSA	298	16921W	144-146
16686LXS	169	16771-SR	299	16778S	298	16922	144-146
16686V	170	16771-SS	299	16778-SR	298	16922K	144-146
16686VSS	170	16771-SSA	299	16778-SS	298	16922V	144-146
16686VX	169	16771S-SR	299	16778-SSA	298	16922W	144-146
16686VXS	169	16771S-SS	299	16778-S-SR	298	16923	144-146
16687AS	170	16771S-SSA	299	16778S-SS	298	16923K	144-146
16687ASS	170	16771W	299	16778S-SSA	298	16923V	144-146
16687L	170	16771W-SR	299	16778W	298	16923W	144-146
16687LSS	170	16771W-SS	299	16778W-SR	298	16924	144-146
16687LX	169	16771W-SSA	299	16778W-SS	298	16924K	144-146
16687LXA	169	16772	300	16778W-SSA	298	16924V	144-146
16687LXAS	169	16772D	300	16800	150	16924W	144-146
16687LXS	169	16772D-SR	300	16800K	150	16925	144-146
16687V	170	16772D-SS	300	16800V	150	16925K	144-146
16687VSS	170	16772D-SSA	300	16800W	150	16925V	144-146
16687VX	169	16772S	300	16801	150	16925W	144-146
16687VXS	169	16772-SR	300	16801K	150	16926	144-146
16688AS	170	16772-SS	300	16801V	150	16926K	144-146
16688ASS	170	16772-SSA	300	16801W	150	16926V	144-146
16688L	170	16772S-SR	300	16805	151	16926W	144-146
16688LSS	170	16772S-SS	300	16805K	151	16927V	145-146
16688LX	169	16772S-SSA	300	16805V	151	16928V	145-146
16688LXA	169	16772W	300	16805W	151	18333	134
16688LXAS	169	16772W-SR	300	16806	151	19001N	8
16688LXS	169	16772W-SS	300	16806K	151	19001V	8
16688V	170	16772W-SSA	300	16806V	151	19001NS	8
16688VSS	170	16773	300	16806W	151	19002N	14
16688VX	169	16773D	300	16820	150	19002V	14
16688VXS	169	16773D-SR	300	16820K	150	19003N	9
16689AS	172	16773D-SS	300	16820V	150	19003NS	9
16689L	172	16773D-SSA	300	16820W	150	19003V	9
16689V	172	16773S	300	16821	151	19004N	8
16690AS	172	16773-SR	300	16821K	151	19004V	8
16690V	172	16773-SS	300	16821V	151	19005N	8
16690L	172	16773-SSA	300	16821W	151	19005V	8
16691AS	172	16773S-SR	300	16822	150	19005NS	8
16691L	172	16773S-SS	300	16822K	150	19005N-SP	9
16691V	172	16773S-SSA	300	16822V	150	19005V-SP	9
16712	157	16773W	300	16822W	150	19006N	15
16713	157	16773W-SR	300	16823	151	19006V	15
16714	157	16773W-SS	300	16823K	151	19006LN	15
16770	299	16773W-SSA	300	16823V	151	19006VN	15
16770D	299	16777	298	16823W	151	19007N	9
16770D-SR	299	16777D	298	16825	150	19007V	9
16770D-SS	299	16777D-SR	298	16825K	150	19007NS	9
16770D-SSA	299	16777D-SS	298	16825V	150	19008N	16
16770S	299	16777D-SSA	298	16825W	150	19008V	16
16770-SR	299	16777S	298	16826	151	19009N	16-67
16770-SS	299	16777-SR	298	16826K	151	19009V	16-67
16770-SSA	299	16777-SS	298	16826V	151	19010N	16
16770S-SR	299	16777-SSA	298	16826W	151	19010V	16
16770S-SS	299	16777S-SR	298	16827	150	19011N	16
16770S-SSA	299	16777S-SS	298	16827K	150	19011V	16
16770W	299	16777S-SSA	298	16827V	150	19012N	16
16770W-SR	299	16777W	298	16827W	150	19012V	16
16770W-SS	299	16777W-SR	298	16828	151	19013N	16
16770W-SSA	299	16777W-SS	298	16828K	151	19013V	16
16771	299	16777W-SSA	298	16828V	151	19014N	16
16771D	299	16778	298	16828W	151	19014V	16

Code		Page	Code		Page	Code		Page	Code		Page
19014SN		16	19042		78	19063BC		19-98	19076N		15
19014SV		16	19042L		78	19063KAS		20-98	19076V		15
19019		76	19043		78	19063KASC		20-98	19077		36-104
19019L		76	19043L		78	19063KB		20-98	19077L		36-104
19019V		76	19044		105	19063KBC		20-98	19078		104
19019VL		76	19044SB		105	19063KN		20-98	19078L		104
19020		76	19045N		14	19063KNC		20-98	19079		36-104-182
19020AS	VG-SSR-SD-3M	76	19045V		14	19063KV		20-98	19079L		36-104-182
19020ASL	VG-SSR-SD-6M	76	19045NS		14	19063KVC		20-98	19080N		17-101
19020L		76	19046		97	19063L		77	19080NL		17-101
19021		76	19046L		97	19063N		19-98	19080V		17-101
19021L		76	19047		97	19063NC		19-98	19080VL		17-101
19021V		76	19047L		97	19063V		19-98	19081N		17-101
19021VL		76	19048		19-98	19063VC		19-98	19081NL		17-101
19022		76	19048C		19-98	19063W		77	19081V		17-101
19022L		76	19048K		20-98	19063WL		77	19081VL		17-101
19023		76	19048KC		20-98	19064AS		19	19082		100
19023L		76	19049		30	19064ASC		19	19082B		100
19024		76	19050		100	19064B		19	19082BL		100
19024AS	VG-SSM-SD-3M	76	19050A		100	19064BC		19	19082L		100
19024ASL	VG-SSM-SD-6M	76	19050AL		100	19064KAS		20	19082V		100
19024L		76	19050L		100	19064KASC		20	19082VL		100
19025		76	19050V		100	19064KB		20	19083		97
19025L		76	19050VL		100	19064KBC		20	19083L		97
19026		76	19051		102	19064KN		20	19084		97
19026L		76	19051V		102	19064KNC		20	19084L		97
19027		77	19052N		101	19064KV		20	19085N		101
19027L		77	19052NL		101	19064KVC		20	19085V		101
19028		77	19052V		101	19064N		19	19086N		101
19028AS	VG-SSF-SD-3M	77	19052VL		101	19064NC		19	19086V		101
19028ASL	VG-SSF-SD-6M	77	19052NS		101	19064V		19	19087N		101
19028L		77	19053N		17-101	19064VC		19	19087V		101
19029		77	19053NL		17-101	19065		77	19088N		101
19029L		77	19053V		17-101	19065L		77	19088V		101
19030		77	19053VL		17-101	19066		77	19089N		101
19030L		77	19054N		101	19066L		77	19089V		101
19031		80	19054NL		101	19067N		16-67	19090		102
19031L		80	19054V		101	19067V		16-67	19090V		102
19032		80	19054VL		101	19067NS		16	19091N		10
19032AS	VG-SST-1.00-SD-3M	80	19055		103	19068		92	19091V		10
19032ASL	VG-SST-1.00-SD-6M	80	19055B		103	19068N		92	19092N		101
19032L		80	19056		103	19068NA		92	19092NL		101
19033		80	19056B		103	19068P		92	19092V		101
19033L		80	19057		79	19068W		92	19092VL		101
19034		80	19057L		79	19070		17-98-99	19093B		16
19034AS	VG-SST-1.25-SD-3M	80	19058		79	19070B		17-98-99	19093N		16
19034ASL	VG-SST-1.25-SD-6M	80	19058AS	VG-SST-75-SD-3M	79	19070BC		17-98-99	19093V		16
19034L		80	19058ASL	VG-SST-75-SD-6M	79	19070C		17-98-99	19094		91-92-93
19035		97	19058L		79	19071		17-98-99	19094L		91-92
19035L		97	19059		81	19071AS		17-98-99	19095		182
19036		97	19059L		81	19071ASC		17-98-99	19095L		182
19036L		97	19060		81	19071C		17-98-99	19096		182
19037		105	19060AS	VG-SST-1.60-SD-3M	81	19071INS		17-98-99	19096L		182
19038		81	19060ASL	VG-SST-1.60-SD-6M	81	19072		17	19097		27-99
19038L		81	19060L		81	19072B		17	19097L		27-99
19039		81	19061		103	19072BC		17	19098		100
19039AS	VG-SST-1.70-SD-3M	81	19061B		103	19072C		17	19098AS		27-99
19039ASL	VG-SST-1.70-SD-6M	81	19062		78	19073		17	19098ASL		27-99
19039L		81	19062L		78	19073AS		17	19098B		27-99
19040		83	19063		77	19073ASC		17	19098BL		27-99
19040L		83	19063AS		19-98	19073C		17	19098L		100
19041		83	19063ASC		19-98	19075N		14	19098N		27-99
19041L		83	19063B		19-98	19075V		14	19098NL		27-99

INDEX

Code	Page	Code	Page	Code	Page	Code	Page
19098V	27-99	40022	281	121551LN	53	121958	50
19098VL	27-99	40023	281	121551RN	51	121958LN	53
19119AS	27	40024	281	121552	50	121958RNF	51
19119ASL	27	40025	281	121552LN	53	121959	44
19119B	27	40026	281	121552RN	51	121959F	44
19119BL	27	40027	281	121553	50	121959RN	45
19119N	27	40028	281	121553LN	53	121959RNF	45
19119NL	27	40029	281	121553RNF	51	121960	44
19119V	27	40030	287	121554	50	121960F	44
19119VL	27	40031	276	121554LN	53	121960RN	45
19450	86	40035	281	121554RNF	51	121960RNF	45
19451	86	40036	281	121595	50	121963	46
19452	86	40037	282	121595LN	53	121963RN	47
19460	87	40038	282	121595RN	51	121964	46
19460L	87	40039	282	121780	44	121964RN	47
19498	106	40043	282	121781	44	121965	46
19499	106	40044	282	121782	44	121965RN	47
19500	106	40045	282	121783	44	121966	46
19501	107	40046	282	121784	44	121966RN	47
19502	107	40047	282	121784RNF	45	121967	46
19503	106	40048	284	121785	44	121967F	46
19504	106	40049	284	121785RNF	45	121967RN	47
19505	107	40050	286	121786	178	121967RNF	47
19506	107	40051	283	121786AS	178	121968	46
19507	106	40052	283	121786B	178	121968F	46
19508	107	40053	283	121786V	178	121968RN	47
19509	107	40054	285	121786W	178	121968RNF	47
19511	108	40055	283	121787	44	121969	46
19512	108	40056	284	121787RN	45	121969F	46
19513	108	40057	285	121789	44	121969RN	47
19514	108	40058	282	121789RN	45	121969RNF	47
19515	108	40059	286	121790	179	121970	46
19516	108	40060	285	121790B	179	121970F	46
19517	109	40064	283	121790V	179	121970RN	47
19519	109	40065	283	121790W	179	121970RNF	47
19520	109	40066	282	121792	179	121971	56
19521	109	40067	276	121792B	179	121971RN	57
19522	109	40068	276	121792V	179	121972	56
19523	109	40069	276	121792W	179	121972RN	57
19990	37	40070	276	121950	50	121973	56
19991	37	40071	283	121950LN	53	121973RN	57
19992	37	40072	283	121950RN	51	121974	56
40001	281	40073	283	121951	50	121974RN	57
40002	281	40075	285	121951LN	53	121975	56
40003	281	40076	285	121951RN	51	121975RN	57
40004	281	40077	286	121952	50	121976	56
40005	281	40078	276	121952LN	53	121976RN	57
40006	281	40079	276	121952RN	51	121977	56
40007	281	40080	276	121953	50	121977RN	57
40008	281	40081	276	121953LN	53	121978	56
40009	276	121547	50	121953RN	51	121978RN	57
40010	287	121547LN	53	121954	50	121979	56
40011	287	121547RN	51	121954LN	53	121979RN	57
40012	276	121548	50	121954RN	51	121980	56
40013	276	121548LN	53	121955	50	121980RN	57
40014	276	121548RN	51	121955LN	53	121981	56
40015	276	121549	50	121955RN	51	121981RN	57
40016	276	121549LN	53	121956	50	121982	56
40017	276	121549RN	51	121956LN	53	121982RN	57
40018	276	121550	50	121956RNF	51	121983	56
40019	276	121550LN	53	121957	50	121983RN	57
40020	276	121550RN	51	121957LN	53	121984	56
40021	276	121551	50	121957RNF	51	121984RN	57

Code	Page	Code	Page	Code	Page	Code	Page
121985	56	131011P	257	131103	211	131164	147
121985RN	57	131012L	257	131103W	211	131165	147
121986	56	131012P	257	131104	211	131166	147
121986RN	57	131013L	257	131104W	211	131167	147
121987	56	131013P	257	131105	211	131168	147
121987RN	57	131014L	257	131105W	211	131169	147
121988	56	131014P	257	131106	211	131170	86
121988RN	57	131015	196	131106W	211	190200	79
121989	56	131030	196	131107	211	190200L	79
121989RN	57	131031	196	131107W	211	190201	79
121990	56	131032	196	131108	211	190201L	79
121990RN	57	131033	196	131108W	211	190202	80
121991	56	131034	196	131109	211	190202L	80
121991RN	57	131035	196	131109W	211	190203	80
121992	56	131036	197	131110	211	190203L	80
121992RN	57	131037	197	131110W	211	190204	80
121993	56	131038	197	131111	211	190204L	80
121993RN	57	131039	197	131111W	211	190205	80
121994	56	131040	197	131112	141	190205L	80
121994RN	57	131041	197	131113	141	190206	81
122108	42	131042	197	131114	141	190206L	81
122109	42	131043	197	131115	141	190207	81
122110	42	131044	197	131116	141	190207L	81
122111N	48	131045	197	131117	141	190208	81
122111RN	49	131046	197	131118	141	190208L	81
122111V	48	131047	197	131119	141	190209	81
122112N	48	131048	197	131120	141	190209L	81
122112RN	49	131049	197	131121	141	190210	83
122112V	48	131050	197	131122	141	190210L	83
122113N	48	131051	197	131123	141	190211	83
122113RN	49	131052	197	131124	141	190211L	83
122113V	48	131053	197	131125	141	190212	79
122114N	48	131054	198	131126	141	190212L	79
122114RN	49	131055	198	131127	141	190213	79
122114V	48	131056	198	131130	139	190213AS VG-SSWF-SD-3M	79
122115N	48	131057	198	131131	139	190213ASL VG-SSWF-SD-6M	79
122115RN	49	131058	198	131132	139	190213L	79
122115V	48	131059	198	131133	139	190214	79
122116N	48	131060	198	131134	139	190214L	79
122116RN	49	131061	199	131135	140	190215	79
122116V	48	131062	199	131137	139	190215L	79
122117N	40	131063	199	131138	139	190216	81
122117V	40	131064	199	131139	139	190216L	81
122118N	40	131065	199	131140	139	190217	81
122118V	40	131066	199	131141	139	190217L	81
122119N	40	131067	199	131142	139	190218	81
122119V	40	131068	199	131143	139	190218L	81
122120N	40	131069	199	131144	139	190219	81
122120V	40	131070	199	131145	139	190219L	81
131001	120	131071	199	131146	139	190220	82
131001S	120	131072	199	131147	139	190220L	82
131002	120	131073	199	131148	139	190221	82
131002S	120	131074	199	131149	139	190221AS VG-SST-2.25-SD-3M	82
131003	121	131075	199	131150	140	190221ASL VG-SST-2.25-SD-6M	82
131003S	121	131076	199	131151	140	190221L	82
131004 VG-018M-01	122	131077	199	131152	140	190222	82
131005 VG-018M-02	122	131078	199	131153	138	190222L	82
131006 VG-018M-03	122	131100	211	131154	138	190223	82
131007 VG-018M-04	122	131100W	211	131155	138	190223L	82
131008	256	131101	211	131160	147	190224	82
131010L	257	131101W	211	131161	147	190224L	82
131010P	257	131102	211	131162	147	190225	82
131011L	257	131102W	211	131163	147	190225L	82

INDEX

Code	Page	Code	Page	Code	Page	Code	Page		
190226	82	190260L	78	190397AS-ST	18	13S00040	VG-223-20-01	216	
190226L	82	190261	78	190397ASC	18	13S00041	VG-223N-14-01	216	
190227	82	190261L	78	190397ASC-ST	18	13S00042	VG-223N-20-01	216	
190227L	82	190262	79	190397C	18	13S00043	VG-223RN-14-01	217	
190228	82	190262L	79	190397C-ST	18	13S00044	VG-223RN-58-01	217	
190228L	82	190263	79	190397NS	18	13S00045	VG-223RN-20-01	217	
190229	82	190263L	79	190397NS-ST	18	13S00046	VG-223N-12-02	216	
190229L	82	190264	79	190397-ST	18	13S00047	VG-223N-14-02	216	
190230	82	190264L	79	190398	18	13S00048	VG-223N-58-02	216	
190230L	82	190265	36-104-182	190398B	18	13S00049	VG-223N-20-02	216	
190231	82	190265L	36-104-182	190398B-ST	18	13S00050	VG-223-12-01	216	
190231L	82	190300	87	190398BC	18	13S00051	VG-223-12-02	216	
190232	80	190301	87	190398BC-ST	18	13S00052	VG-223-14-01	216	
190232L	80	190302	87	190398C	18	13S00053	VG-223-14-02	216	
190233	80	190303	87	190398C-ST	18	13S00054	VG-223-20-02	216	
190233L	80	190304	87	190475	91-92-93	13S00055	VG-223-58-01	216	
190234	80	190305	87	190398-ST	18	13S00056	VG-223-58-02	216	
190234L	80	190306	87	12S00001	VG-R3U-185-50-G	52	13S00057	VG-223N-12-01	216
190235	80	190307	87	12S00002	VG-R3U-185-60-G	52	13S00058	VG-223N-58-01	216
190235L	80	190308	87	12S00003	VG-R3U-205-50-G	52	13S00059	VG-223R-12-01	217
190236	82	190309	87	12S00004	VG-R3U-205-60-G	52	13S00060	VG-223R-14-01	217
190236L	82	190310	87	12S00005	VG-RF3U-185-50-G	52	13S00061	VG-223R-20-01	217
190237	82	190311	87	12S00006	VG-RF3U-185-60-G	52	13S00062	VG-223R-58-01	217
190237L	82	190312	87	12S00007	VG-RF3U-205-50-G	52	13S00064	VG-223RN-12-01	217
190238	82	190313	87	12S00008	VG-RF3U-205-60-G	52	13S00065	VG-223RN-TOP-12	230
190238L	82	190314	87	13S00001	VG-213-12-01	213	13S00066	VG-223RN-TOP-14	230
190239	82	190315	87	13S00002	VG-213-12-02	215	13S00067	VG-223RN-TOP-20	230
190239L	82	190316	87	13S00003	VG-213-14-01	213	13S00068	VG-223RN-TOP-58	230
190240N	36	190317	87	13S00004	VG-213-20-01	213	13S00069	VG-223R-TOP-12	230
190240NL	36	190318	87	13S00005	VG-213-58-01	213	13S00070	VG-223R-TOP-14	230
190240V	36	190319	87	13S00006	VG-213-58-02	215	13S00071	VG-223R-TOP-20	230
190240VL	36	190320	87	13S00007	VG-213N-12-01	213	13S00072	VG-223R-TOP-58	230
190241N	36	190321	87	13S00008	VG-213N-14-01	213	13S00073	VG-213RN-TOP-14	230
190241NL	36	190322	87	13S00009	VG-213N-20-01	213	13S00074	VG-213R-TOP-20	230
190241V	36	190323	87	13S00010	VG-213N-58-01	213	13S00080	VG-223F-12-01	217
190241VL	36	190324	87	13S00011	VG-213R-12-01	215	13S00081	VG-223F-14-01	217
190242N	36	190325	87	13S00012	VG-213R-58-01	215	13S00082	VG-223F-58-01	217
190242NL	36	190326	87	13S00014	VG-213RN-TOP-12	230	13S00083	VG-223F-20-01	217
190242V	36	190327	87	13S00015	VG-213RN-TOP-20	230	13S00084	VG-223FN-12-01	217
190242VL	36	190328	87	13S00016	VG-213RN-TOP-58	230	13S00085	VG-223FN-14-01	217
190249	77	190329	87	13S00017	VG-213R-TOP-12	230	13S00086	VG-223FN-58-01	217
190249L	77	190330	87	13S00018	VG-213R-TOP-14	230	13S00087	VG-223FN-20-01	217
190250	77	190331	87	13S00019	VG-213R-TOP-58	230	13S00092	VG-PMI-25	85
190250L	77	190332	87	13S00020	VG-213T-12-01	214	13S00093	VG-PMI-30	85
190251	77	190333	87	13S00021	VG-213T-20-01	214	13S00100	VG-253K-S-12	219
190251L	77	190334	87	13S00022	VG-213T-58-01	214	13S00101	VG-253K-S-58	219
190252	77	190335	87	13S00023	VG-213TN-12-01	214	13S00102	VG-253MB-S-12	219
190252L	77	190336	87	13S00024	VG-213TN-58-01	214	13S00103	VG-253MB-S-58	219
190253	78	190337	87	13S00025	VG-213T-14-01	214	13S00104	VG-254K-S-12	218
190253L	78	190338	87	13S00026	VG-213TN-14-01	214	13S00105	VG-254-MB-S-12M	218
190254	78	190360N	92	13S00027	VG-213TN-20-01	214	13S00106	VG-620-12-12M	258
190254L	78	190360NL	92	13S00028	VG-213R-14-01	215	13S00107	VG-620-12-16M	258
190255	78	190365	93	13S00029	VG-213R-20-01	215	13S00108	VG-620-14-14M	258
190255L	78	190366	93	13S00030	VG-213-14-02	215	13S00109	VG-620-15-15M	258
190256	78	190390	103	13S00031	VG-213-20-02	215	13S00110	VG-620-16-16M	258
190256L	78	190391	103	13S00032	VG-213RN-12-01	215	13S00111	VG-620-18-18M	258
190257	78	190392	103	13S00033	VG-213RN-14-01	215	13S00114	VG-619-10M	259
190257L	78	190393	103	13S00034	VG-213RN-58-01	215	13S00115	VG-619-12M	259
190258	78	190394	103	13S00035	VG-213RN-20-01	215	13S00116	VG-619-14M	259
190258L	78	190395	36	13S00036	VG-213N-12-02	215	13S00150	VG-641-K-12	229
190259	78	190396	36	13S00037	VG-213N-14-02	215	13S00151	VG-641-K-14	229
190259L	78	190397	18	13S00038	VG-213N-58-02	215	13S00152	VG-641-K-20	229
190260	78	190397AS	18	13S00039	VG-213N-20-02	215	13S00153	VG-641-K-58	229

Code		Page	Code		Page	Code		Page	Code		Page
13S00154	VG-641-N-12	229	13S00286	VG-QPC-450M	224	13S00505	VG-011-01-P224-100	117	16S00020-SSA		304
13S00155	VG-641-N-14	229	13S00287	VG-QPC-65M	224	14S00001	VF-CRA-M	69	16S00021		305
13S00156	VG-641-N-20	229	13S00288	VG-QSB-25M	224	14S00002	VF-CRC-14M	69	16S00021-SR		305
13S00157	VG-641-N-58	229	13S00289	VG-QSB-40M	224	14S00003	VF-CRC-16M	69	16S00021-SS		305
13S00158	VG-641-R-12	229	13S00290	VG-QSB-450M	224	14S00004	VF-CRC-18M	69	16S00021-SSA		305
13S00159	VG-641-R-14	229	13S00291	VG-QSB-65M	224	14S00005	VF-CRCP-14M	69	16S00022		306
13S00160	VG-641-R-20	229	13S00292	VG-QSC-10M	224	14S00006	VF-CRCP-16M	69	16S00022-SR		306
13S00161	VG-641-R-58	229	13S00293	VG-QSC-12M	224	14S00007	VF-CRCP-18M	69	16S00022-SS		306
13S00162	VG-641T-K-12	228	13S00294	VG-QSC-16M	224	14S00008	VF-CRC-T	69	16S00022-SSA		306
13S00163	VG-641T-K-14	228	13S00295	VG-QSC-20M	224	14S00009	VF-CRS-100-14M	70	16S00023		304
13S00164	VG-641T-K-20	228	13S00296	VG-QSC-25M	224	14S00010	VF-CRS-100-16M	70	16S00023-SR		304
13S00165	VG-641T-K-58	228	13S00297	VG-QSC-30M	224	14S00011	VF-CRS-100-18M	70	16S00023-SS		304
13S00166	VG-641T-N-12	228	13S00298	VG-QSC-40M	224	14S00012	VF-CRS-34-14M	70	16S00023-SSA		304
13S00167	VG-641T-N-14	228	13S00299	VG-QT-01	224	14S00013	VF-CRS-34-16M	70	16S00024		305
13S00168	VG-641T-N-20	228	13S00300	VG-203Q-03-10-M8	226	14S00014	VF-CRS-34-18M	70	16S00024-SR		305
13S00169	VG-641T-N-58	228	13S00301	VG-203Q-05-10-M10	226	14S00050	VG-625-30-3506	263	16S00024-SS		305
13S00170	VG-641T-R-12	228	13S00302	VG-203Q-05-10-M8	226	14S00051	VG-625-45-3510	263	16S00024-SSA		305
13S00171	VG-641T-R-14	228	13S00303	VG-203Q-03-15-M10	226	14S00052	VG-625-30-5019	263	16S00025		306
13S00172	VG-641T-R-20	228	13S00304	VG-203Q-05-15-M8	226	14S00053	VG-625-45-5006	263	16S00025-SR		306
13S00173	VG-641T-R-58	228	13S00305	VG-213Q-03-10-M10	227	14S00054	VG-625-45-5019	263	16S00025-SS		306
13S00200	VG-245-H-BK	220	13S00306	VG-213Q-05-10-M10	227	14S00055	VG-627-30-12	264	16S00025-SSA		306
13S00201	VG-245-HDW-03-M8	222	13S00307	VG-213Q-05-10-M8	227	14S00056	VG-627-45-12	264	16S00050	VG-687-37-2M	161
13S00202	VG-245-HDW-02-M8	222	13S00308	VG-213Q-03-15-M10	227	14S00057	VG-627-80-12	264	16S00051	VG-687-37-3M	161
13S00203	VG-245-H-GR	220	13S00309	VG-213Q-03-15-M8	227	14S00060	VG-628-35-12-14	263	16S00052	VG-687-83-2M	161
13S00204	VG-245-J-BK	220	13S00310	VG-213Q-05-15-M10	227	14S00061	VG-628-35-12-34	263	16S00053	VG-687-83-3M	161
13S00205	VG-245-K-BK	221	13S00311	VG-213Q-05-15-M8	227	14S00062	VG-628-35-12-38	263	16S00100	VG-687H-37-2M	158
13S00206	VG-245-L-BK	221	13S00312	VG-213Q-05-25-M10	227	14S00063	VG-628-35-12-58	263	16S00101	VG-687H-37-3M	158
13S00207	VG-245-M-BK	221	13S00313	VG-213Q-05-25-M8	227	14S00064	VG-628-50-12-12	263	16S00102	VG-687H-83-M2	158
13S00346	VG-022-01M	114	13S00314	VG-213TQ-03-10-M10	227	14S00065	VG-628-50-12-14	263	16S00103	VG-687H-83-M3	158
13S00250	VG-031-12-35	112	13S00315	VG-213TQ-03-10-M8	227	14S00066	VG-628-50-12-34	263	16S00150	VG-687LDB-M8	156
13S00251	VG-031-12-50	112	13S00316	VG-213TQ-05-10-M10	227	14S00067	VG-628-50-12-38	263	16S00151	VG-687MNP-37	161-162
13S00252	VG-031-12-70	112	13S00317	VG-213TQ-05-10-M8	227	14S00068	VG-628-50-12-58	263	16S00152	VG-687MNP-83	161-162
13S00253	VG-032-12-35	127	13S00318	VG-213TQ-03-15-M10	227	14S00069	VG-629-12-12	264	16S00153	VG-687MSP-37	157
13S00254	VG-032-12-50	127	13S00319	VG-213TQ-03-15-M8	227	14S00070	VG-629R-12-12	264	16S00154	VG-687MSP-83	157
13S00255	VG-1568M-01	35-156	13S00320	VG-213TQ-05-15-M10	227	14S00071	VG-625-30-5006	263	16S00155	VG-687SP	156
13S00256	VG-1568M-02	35-156	13S00321	VG-213TQ-05-15-M8	227	14S00072	VG-625-45-3506	263	16S00200	VG-688-37-2M	162
13S00258	VG-1568M-04	35-156	13S00322	VG-213TQ-05-25-M10	227	14S00073	VG-625-30-3510	263	16S00201	VG-688-37-3M	162
13S00259	VG-222JQ-M10	142	13S00323	VG-213TQ-05-25-M8	227	14S00074	VG-625-30-5010	263	16S00202	VG-688-83-2M	162
13S00260	VG-222JQ-M8	142	13S00324	VG-210Q-03-10-M10	226	14S00075	VG-625-45-5010	263	16S00203	VG-688-83-3M	162
13S00261	VG-222JQ-M8M-M10F	142	13S00325	VG-210Q-03-10-M8	226	14S00076	VG-625-30-3513	263	16S00250	VG-688H-37-2M	159
13S00262	VG-245-WSH-S	222	13S00326	VG-210Q-05-10-M10	226	14S00077	VG-625-30-5013	263	16S00251	VG-688H-37-3M	159
13S00263	VG-203Q-03-10-M10	226	13S00327	VG-210Q-05-10-M8	226	14S00078	VG-625-45-3513	263	16S00252	VG-688H-83-2M	159
13S00264	VG-203Q-03-15-M8	226	13S00328	VG-210Q-03-15-M10	226	14S00079	VG-625-45-5013	263	16S00253	VG-688H-83-3M	159
13S00265	VG-203Q-05-15-M10	226	13S00329	VG-210Q-03-15-M8	226	14S00080	VG-625-30-3516	263	16S00300	VG-687FLEX-37-3M	155
13S00266	VG-203Q-05-25-M10	226	13S00330	VG-210Q-05-15-M10	226	14S00081	VG-625-30-5016	263	16S00301	VG-688FLEX-37-3M	155
13S00267	VG-203Q-05-25-M8	226	13S00331	VG-210Q-05-15-M8	226	14S00082	VG-625-45-3516	263	16S00302-15	VG-687BSC-15	156
13S00269	VG-213Q-03-10-M8	227	13S00332	VG-210Q-05-25-M10	226	14S00083	VG-625-45-5016	263	16S00302-25	VG-687BSC-25	156
13S00270	VG-221Q-03-10-M10	226	13S00333	VG-210Q-05-25-M8	226	14S00084	VG-625-30-3519	263	16S00302-50	VG-687BSC-50	156
13S00271	VG-221Q-03-10-M8	226	13S00334	VG-221Q-05-10-M10	226	14S00085	VG-625-45-3519	263	19S00001-30M	VF-CR-38100-30M	68
13S00272	VG-221Q-05-25-M10	226	13S00335	VG-221Q-05-10-M8	226	14S00086	VG-750-10	13	19S00002-30M	VF-CR-3834-30M	68
13S00273	VG-221Q-05-25-M8	226	13S00336	VG-221Q-03-15-M10	226	14S00087	VG-750-20	13	19S00003-3M	VF-CRP-3M-14M	70
13S00274	VG-Q-03-10-M10	225	13S00337	VG-221Q-03-15-M8	226	14S00088	VG-750-30	13	19S00004-3M	VF-CRP-3M-16M	70
13S00275	VG-Q-03-10-M8	225	13S00338	VG-221Q-05-15-M10	226	14S00089	VF-CRCP-12M	69	19S00005-3M	VF-CRP-3M-18M	70
13S00276	VG-Q-03-15-M10	225	13S00339	VG-221Q-05-15-M8	226	14S00092	VG-307SQ-T40-M	313	19S00008-3M	VG-SPM-3M	84
13S00277	VG-Q-03-15-M8	225	13S00340	VG-245-J-GR	220	16S00001	VG-686A-30-2M	160	19S00008-6M	VG-SPM-6M	84
13S00278	VG-Q-05-10-M10	225	13S00341	VG-245-K-GR	221	16S00002	VG-686A-30-3M	160	19S00009-3M	VG-ABG-3M	90
13S00279	VG-Q-05-10-M8	225	13S00342	VG-245-L-GR	221	16S00004	VG-686A-76-2M	160	19S00009-6M	VG-ABG-6M	90
13S00280	VG-Q-05-15-M10	225	13S00343	VG-245-M-GR	221	16S00005	VG-686A-76-3M	160	19S00011-30M	VG-J100-125T-30M	11
13S00281	VG-Q-05-15-M8	225	13S00346	VG-022-01M	124	16S00006	VG-686MSP-30	160	19S00012-30M	VG-J100-188-30M	11
13S00282	VG-Q-05-25-M10	225	13S00392	VG-1135M-08G	121	16S00007	VG-686MSP-76	160	19S00014-3M	VG-JEL-078-125-3M	13
13S00283	VG-Q-05-25-M8	225	13S00500	VG-011-01-P-M10	117	16S00020		304	19S00014-6M	VG-JEL-078-125-6M	13
13S00284	VG-QPC-25M	224	13S00502	VG-011-01-P222-100	117	16S00020-SR		304	19S00015-30M	VG-JS100-125-30M	10
13S00285	VG-QPC-40M	224	13S00503	VG-011-01-P242-100	117	16S00020-SS		304	19S00015-3M	VG-JS100-125-3M	10

INDEX

Code		Page	Code		Page	Code		Page	Code		Page
19S00015-6M	VG-JS100-125-6M	10	19S00058-3M	VG-P18CC-3M	10	19S00165-6M	VG-SSTS-1.25-6M	80			
19S00016-30M	VG-JSL075-125-30M	12	19S00058-6M	VG-P18CC-6M	10	19S00166N-3M	VG-SST-N-1.60-3M	81			
19S00016-3M	VG-JSL075-125-3M	12	19S00062-3M	VG-P18HD-3M	32	19S00166NS-3M	VG-SST-1.60-NS-3M	81			
19S00016-6M	VG-JSL075-125-6M	12	19S00062-6M	VG-P18HD-6M	32	19S00166NS-6M	VG-SST-1.60-NS-6M	81			
19S00016NS-30M	VG-JSL075-125-NS-30M	12	19S00066-30M	VG-P316BC-30M	32	19S00167NS-3M	VG-SST-2.25-NS-3M	82			
19S00017-30M	VG-JSL075-188-30M	13	19S00066-3M	VG-P316BC-3M	32	19S00167NS-6M	VG-SST-2.25-NS-6M	82			
19S00018-30M	VG-JS100-188-30M	11	19S00066-6M	VG-P316BC-6M	32	19S00174-3M	VG-SSWFS-3M	79			
19S00018-3M	VG-JS100-188-3M	11	19S00067-3M	VG-P316HD-3M	32	19S00174-6M	VG-SSWFS-6M	79			
19S00018-6M	VG-JS100-188-6M	11	19S00067-6M	VG-P316HD-6M	32	19S00175-3M	VG-SSWFS-1.25-3M	80			
19S00020-30M	VG-JS150-125-30M	11	19S00068-30M	VG-P38BC-30M	34	19S00175-6M	VG-SSWFS-1.25-6M	80			
19S00020-3M	VG-JS150-125-3M	11	19S00068-75M	VG-P38BC-75M	34	19S00181-3M	VG-SSTG-02-3M	83			
19S00020-6M	VG-JS150-125-6M	11	19S00068NS-75M	VG-P38BC-NS-75M	34	19S00181-6M	VG-SSTG-02-6M	83			
19S00021-3M	VG-JS150-188-3M	12	19S00069-3M	VG-P38HD-3M	34	19S00181-B-3M	VG-SSTG-02-B-3M	83			
19S00021-6M	VG-JS150-188-6M	12	19S00069-6M	VG-P38HD-6M	34	19S00181-B-6M	VG-SSTG-02-B-6M	83			
19S00022-3M	VG-P824F-3M	95	19S00071-30M	VG-P516BC-30M	34	19S00182NS-3M	VG-SSUT-1.00-5-3M	83			
19S00022-6M	VG-P824F-6M	95	19S00071-6M	VG-P516BC-6M	34	19S00183NS-3M	VG-SSUT-1.30-5-3M	83			
19S00023-3M	VG-JS200-125-3M	12	19S00071-NS-30M	VG-P516BC-NS-30M	34	19S00187NS-3M	VG-SSWF-NS-3M	79			
19S00023-6M	VG-JS200-125-6M	12	19S00073-30M	VG-P7GABC-30M	32	19S00187NS-6M	VG-SSWF-NS-6M	79			
19S00024-3M	VG-JS200-188-3M	12	19S00073-3M	VG-P7GABC-3M	32	19S00209-3M	VG-344-3M	96			
19S00024-6M	VG-JS200-188-6M	12	19S00073-6M	VG-P7GABC-6M	32	19S00209-6M	VG-344-6M	96			
19S00025-30M	VG-P813-30M	94	19S00073NS-3M	VG-P7GABC-NS-3M	32	19S00210-3M	VG-219-3M	94			
19S00025-3M	VG-P813-3M	94	19S00073NS-6M	VG-P7GABC-NS-6M	32	19S00210-6M	VG-219-6M	94			
19S00025-6M	VG-P813-6M	94	19S00076-3M	VG-P7GAHD-3M	33	19S00211-3M	VG-A2520-3M	96			
19S00026-30M	VG-P813F-30M	94	19S00076-6M	VG-P7GAHD-6M	33	19S00211-6M	VG-A2520-6M	96			
19S00026-3M	VG-P813F-3M	94	19S00076NS-6M	VG-P7GAHD-NS-6M	33	19S00212-3M	VG-A600A-3M	94			
19S00026-6M	VG-P813F-6M	94	19S00077-3M	VG-PMBG-50-NS-3M	35	19S00212-6M	VG-A600A-6M	94			
19S00027-3M	VG-P822F-3M	95	19S00078NS-30M	VG-PBG5-NS-30M	91	19S00216-3M	VG-A600-3M	94			
19S00027-6M	VG-P822F-6M	95	19S00078NSD-30M	VG-PBG5-NSD-30M	91	19S00216-6M	VG-A600-6M	94			
19S00028-3M	VG-P834F-3M	95	19S00079NS-30M	VG-PBG7-NS-30M	90	19S00224-3M	VG-P350-3M	96			
19S00028-6M	VG-P834F-6M	95	19S00079NSD-30M	VG-PBG7-NSD-30M	90	19S00224-6M	VG-P350-6M	96			
19S00029-30M	VG-JS3-075-125-30M	10	19S00080-3M	VG-PSBG-50-3M	35	19S00226-3M	VG-P2520BC-3M	96			
19S00031-3M	VG-P820F-3M	95	19S00081-75M	VG-PM10BC-75M	34	19S00226-6M	VG-P2520BC-6M	96			
19S00031-6M	VG-P820F-6M	95	19S00082-30M	VG-PM4BC-30M	32						
19S00032-3M	VG-P0808-3M	94	19S00082-75M	VG-PM4BC-75M	32						
19S00033-3M	VG-P611-3M	94	19S00083-3M	VG-PBWS-125-3M	35						
19S00034-3M	VG-P816F-3M	95	19S00087-3M	VG-SBG-50-3M	35						
19S00034-6M	VG-P816F-6M	95	19S00108-3M	VG-BWS-125-3M	35						
19S00035-3M	VG-MBG-50-NS-3M	35	19S00115HT-3M	VG-SSF-HT-3M	77						
19S00036NS-30M	VG-P105R-30M	31-88	19S00115NS-3M	VG-SSF-NS-3M	77						
19S00036NS-75M	VG-P105R-75M	31-88	19S00115NS-6M	VG-SSF-NS-6M	77						
19S00036NSR-30M	VG-P105RCL-30M	31-88	19S00116-3M	VG-SSF-3M	77						
19S00036NSR-75M	VG-P105RCL-75M	31-88	19S00116-6M	VG-SSF-6M	77						
19S00037NSR-30M	VG-NG125-SR-30M	89	19S00123NS-3M	VG-SSLT-1.0X38-NS-3M	82						
19S00038NSR-30M	VG-NG91-SR-30M	89	19S00123NS-6M	VG-SSLT-1.0X38-NS-6M	82						
19S00039NSR-30M	VG-NG110-SR-30M	89	19S00129NS-3M	VG-SSM-NS-3M	76						
19S00040NSR-30M	VG-NG47-SR-30M	88	19S00129NS-6M	VG-SSM-NS-6M	76						
19S00040NSR-75M	VG-NG47-SR-75M	88	19S00130-3M	VG-SSMS-3M	76						
19S00041NSR-75M	VG-NG49-SR-75M	88	19S00130-6M	VG-SSMS-6M	76						
19S00041NSR-30M	VG-NG49-SR-30M	88	19S00138-3M	VG-SSMT-3M	78						
19S00042NSR-30M	VG-NG50-SR-30M	88	19S00138-6M	VG-SSMT-6M	78						
19S00042NSR-75M	VG-NG50-SR-75M	88	19S00138-SD-3M	VG-SSMT-SD-3M	78						
19S00043NSR-75M	VG-NG81-SR-75M	89	19S00138-SD-6M	VG-SSMT-SD-6M	78						
19S00044NSR	VG-NG125-SR-1M28	89	19S00146-3M	VG-SSRS-3M	76						
19S00050-3M	VG-P116HD-3M	31	19S00146-6M	VG-SSRS-6M	76						
19S00050-6M	VG-P116HD-6M	31	19S00145NS-3M	VG-SSR-NS-3M	76						
19S00052-150M	VG-P14BC-150M	33	19S00145NS-6M	VG-SSR-NS-6M	76						
19S00052-30M	VG-P14BC-30M	33	19S00153N-3M	VG-SST-N-75-3M	79						
19S00054-3M	VG-P14HD-3M	34	19S00154N-3M	VG-SST-N-1.00-3M	80						
19S00054-6M	VG-P14HD-6M	34	19S00164HT-3M	VG-SST-HT-1.25-3M	80						
19S00055-30M	VG-P14SBC-30M	33	19S00164N-3M	VG-SST-N-1.25-3M	80						
19S00056-30M	VG-P18BC-30M	31	19S00164NS-3M	VG-SST-1.25-NS-3M	80						
19S00056NS-30M	VG-P18BC-NS-30M	31	19S00164NS-6M	VG-SST-1.25-NS-6M	80						
19S00058-30M	VG-P18CC-30M	10	19S00165-3M	VG-SSTS-1.25-3M	80						

Code	Page	Code	Page	Code	Page	Code	Page				
VF-CR-38100-30M	19500001-30M	68	VG-213-12-02	13S00002	215	VG-221Q-05-10-M10	13S000334	226	VG-253K-S-58	13S00101	219
VF-CR-3834-30M	19500002-30M	68	VG-213-14-01	13S00003	213	VG-221Q-05-10-M8	13S000335	226	VG-253MB-S-12	13S00102	219
VF-CRA-M	14S00001	69	VG-213-14-02	13S00030	215	VG-221Q-05-15-M10	13S000338	226	VG-253MB-S-58	13S00103	219
VF-CRC-14M	14S00002	69	VG-213-20-01	13S00004	213	VG-221Q-05-15-M8	13S000339	226	VG-254K-S-12	13S00104	218
VF-CRC-16M	14S00003	69	VG-213-20-02	13S00031	215	VG-221Q-05-25-M10	13S000272	226	VG-254-MB-S-12	13S00105	218
VF-CRC-18M	14S00004	69	VG-213-58-01	13S00005	213	VG-221Q-05-25-M8	13S000273	226	VG-614-K-12	13S00150	229
VF-CRCP-12M	14S00005	69	VG-213-58-02	13S00006	215	VG-222JQ-M10	13S000259	142	VG-614-K-14	13S00151	229
VF-CRCP-12M	14S00006	69	VG-213N-12-01	13S00007	213	VG-222JQ-M8	13S000260	142	VG-614-K-20	13S00152	229
VF-CRCP-12M	14S00007	69	VG-213N-12-02	13S00036	215	VG-222JQ-M8M-M10F	13S000261	142	VG-614-K-58	13S00153	229
VF-CRCP-12M	14S00089	69	VG-213N-14-01	13S00008	213	VG-223-12-01	13S000050	216	VG-614-N-12	13S00154	229
VF-CRCP-12M	14S00008	69	VG-213N-14-02	13S00037	215	VG-223-12-02	13S000051	216	VG-614-N-14	13S00155	229
VF-CRCP-3M-14M	19S00003-3M	70	VG-213N-20-01	13S00009	213	VG-223-14-01	13S000052	216	VG-614-N-20	13S00156	229
VF-CRCP-3M-16M	19S00004-3M	70	VG-213N-20-02	13S00039	215	VG-223-14-02	13S000053	216	VG-614-N-58	13S00157	229
VF-CRCP-3M-18M	19S00005-3M	70	VG-213N-58-01	13S00010	213	VG-223-20-01	13S000040	216	VG-614-R-12	13S00158	229
VF-CRS-100-14M	14S00009	70	VG-213N-58-02	13S00038	215	VG-223-20-02	13S000054	216	VG-614-R-14	13S00159	229
VF-CRS-100-16M	14S00010	70	VG-213Q-03-10-M10	13S000305	227	VG-223-58-01	13S000055	216	VG-614-R-20	13S00160	229
VF-CRS-100-18M	14S00011	70	VG-213Q-03-10-M8	13S000269	227	VG-223-58-02	13S000056	216	VG-614-R-58	13S00161	229
VF-CRS-34-14M	14S00012	70	VG-213Q-03-15-M10	13S000308	227	VG-223F-12-01	13S000080	217	VG-614T-K-12	13S00162	228
VF-CRS-34-16M	14S00013	70	VG-213Q-03-15-M8	13S000309	227	VG-223F-14-01	13S000081	217	VG-614T-K-14	13S00163	228
VF-CRS-34-18M	14S00014	70	VG-213Q-05-10-M10	13S000306	227	VG-223F-20-01	13S000083	217	VG-614T-K-20	13S00164	228
VG-011-01-P222-100	13S00502	117	VG-213Q-05-10-M8	13S00307	227	VG-223F-58-01	13S000082	217	VG-614T-K-58	13S00165	228
VG-011-01-P224-100	13S00505	117	VG-213Q-05-15-M10	13S00310	227	VG-223FN-12-01	13S000084	217	VG-614T-N-12	13S00166	228
VG-011-01-P242-100	13S00503	117	VG-213Q-05-15-M8	13S00311	227	VG-223FN-14-01	13S000085	217	VG-614T-N-14	13S00167	228
VG-011-01-P-M10	13S00500	117	VG-213Q-05-25-M10	13S00312	227	VG-223FN-20-01	13S000087	217	VG-614T-N-20	13S00168	228
VG-012-01	13014	120	VG-213Q-05-25-M8	13S00313	227	VG-223FN-58-01	13S000086	217	VG-614T-N-58	13S00169	228
VG-012-SH	13014S	120	VG-213R-12-01	13S00011	215	VG-223N-12-01	13S000057	216	VG-614T-R-12	13S00170	228
VG-012-03	13014L	120	VG-213R-14-01	13S00028	215	VG-223N-12-02	13S000046	216	VG-614T-R-14	13S00171	228
VG-012-03-SH	13014SL	120	VG-213R-20-01	13S00029	215	VG-223N-14-01	13S000041	216	VG-614T-R-20	13S00172	228
VG-018M-01	131004	122	VG-213R-58-01	13S00012	215	VG-223N-14-02	13S000047	216	VG-614T-R-58	13S00173	228
VG-018M-02	131005	122	VG-213RN-12-01	13S00032	215	VG-223N-20-01	13S000042	216	VG-619-10M	13S00114	259
VG-018M-03	131006	122	VG-213RN-14-01	13S00033	215	VG-223N-20-02	13S000049	216	VG-619-12M	13S00115	259
VG-018M-04	131007	122	VG-213RN-20-01	13S00035	215	VG-223N-58-01	13S000058	216	VG-619-14M	13S00116	259
VG-022-01M	13S00346	114	VG-213RN-58-01	13S00034	215	VG-223N-58-02	13S000048	216	VG-620-12-12M	13S00106	258
VG-031-12-35	13S00250	112	VG-213RN-TOP-12	13S00014	230	VG-223R-12-01	13S000059	217	VG-620-12-16M	13S00107	258
VG-031-12-50	13S00251	112	VG-213RN-TOP-14	13S00073	230	VG-223R-14-01	13S000060	217	VG-620-14-14M	13S00108	258
VG-031-12-70	13S00252	112	VG-213RN-TOP-20	13S00015	230	VG-223R-20-01	13S000061	217	VG-620-15-15M	13S00109	258
VG-032-12-35	13S00253	127	VG-213RN-TOP-58	13S00016	230	VG-223R-58-01	13S000062	217	VG-620-16-16M	13S00110	258
VG-032-12-50	13S00254	127	VG-213R-TOP-12	13S00017	230	VG-223RN-12-01	13S000064	217	VG-620-18-18M	13S00111	258
VG-1135M-08G	13S00392	121	VG-213R-TOP-14	13S00018	230	VG-223RN-14-01	13S000043	217	VG-625-30-3506	14S00050	263
VG-1568M-01	13S00255	35-156	VG-213R-TOP-20	13S00074	230	VG-223RN-20-01	13S000045	217	VG-625-30-3510	14S00073	263
VG-1568M-02	13S00256	35-156	VG-213R-TOP-58	13S00019	230	VG-223RN-58-01	13S000044	217	VG-625-30-3513	14S00076	263
VG-1568M-04	13S00258	35-156	VG-213T-12-01	13S00020	214	VG-223RN-TOP-12	13S000065	230	VG-625-30-3516	14S00080	263
VG-203Q-03-10-M10	13S00263	226	VG-213T-14-01	13S00025	214	VG-223RN-TOP-14	13S000066	230	VG-625-30-3519	14S00084	263
VG-203Q-03-10-M8	13S00300	226	VG-213T-20-01	13S00021	214	VG-223RN-TOP-20	13S000067	230	VG-625-30-5006	14S00071	263
VG-203Q-03-15-M10	13S00303	226	VG-213T-58-01	13S00022	214	VG-223RN-TOP-58	13S000068	230	VG-625-30-5010	14S00074	263
VG-203Q-03-15-M8	13S00264	226	VG-213TN-12-01	13S00023	214	VG-223R-TOP-12	13S000069	230	VG-625-30-5013	14S00077	263
VG-203Q-05-10-M10	13S00301	226	VG-213TN-14-01	13S00026	214	VG-223R-TOP-14	13S000070	230	VG-625-30-5016	14S00081	263
VG-203Q-05-10-M8	13S00302	226	VG-213TN-20-01	13S00027	214	VG-223R-TOP-20	13S000071	230	VG-625-30-5019	14S00052	263
VG-203Q-05-15-M10	13S00265	226	VG-213TN-58-01	13S00024	214	VG-223R-TOP-58	13S000072	230	VG-625-45-3506	14S00072	263
VG-203Q-05-15-M8	13S00304	226	VG-213TQ-03-10-M10	13S00314	227	VG-245-H-BK	13S00200	220	VG-625-45-3510	14S00051	263
VG-203Q-05-25-M10	13S00266	226	VG-213TQ-03-10-M8	13S00315	227	VG-245-HDW-03-M8	13S00201	222	VG-625-45-3513	14S00078	263
VG-203Q-05-25-M8	13S00267	226	VG-213TQ-03-15-M10	13S00318	227	VG-245-HDW-02-M8	13S00202	222	VG-625-45-3516	14S00082	263
VG-210Q-03-10-M10	13S00324	226	VG-213TQ-03-15-M8	13S00319	227	VG-245-H-GR	13S00203	220	VG-625-45-3519	14S00085	263
VG-210Q-03-10-M8	13S00325	226	VG-213TQ-05-10-M10	13S00316	227	VG-245-J-BK	13S00204	220	VG-625-45-5006	14S00053	263
VG-210Q-03-15-M10	13S00328	226	VG-213TQ-05-10-M8	13S00317	227	VG-245-J-GR	13S00340	220	VG-625-45-5010	14S00075	263
VG-210Q-03-15-M8	13S00329	226	VG-213TQ-05-15-M10	13S00320	227	VG-245-K-BK	13S00205	221	VG-625-45-5013	14S00079	263
VG-210Q-05-10-M10	13S00326	226	VG-213TQ-05-15-M8	13S00321	227	VG-245-K-GR	13S00341	221	VG-625-45-5016	14S00083	263
VG-210Q-05-10-M8	13S00327	226	VG-213TQ-05-25-M10	13S00322	227	VG-245-L-BK	13S00206	221	VG-625-45-5019	14S00054	263
VG-210Q-05-15-M10	13S00330	226	VG-213TQ-05-25-M8	13S00323	227	VG-245-L-GR	13S00342	221	VG-627-30-12	14S00055	264
VG-210Q-05-15-M8	13S00331	226	VG-221Q-03-10-M10	13S00270	226	VG-245-M-BK	13S00207	221	VG-627-45-12	14S00056	264
VG-210Q-05-25-M10	13S00332	226	VG-221Q-03-10-M8	13S00271	226	VG-245-M-GR	13S00343	221	VG-627-80-12	14S00057	264
VG-210Q-05-25-M8	13S00333	226	VG-221Q-03-15-M10	13S00336	226	VG-245-WSH-S	13S00262	222	VG-628-35-12-12	14S00059	263
VG-213-12-01	13S00001	213	VG-221Q-03-15-M8	13S00337	226	VG-253K-S-12	13S00100	219	VG-628-35-12-14	14S00060	263

INDEX

Code	Page	Code	Page	Code	Page	Code	Page				
VG-628-35-12-34	14S00061	263	VG-JEL-078-125-3M	19S00014-3M	13	VG-P38BC-30M	19S00068-30M	34	VG-QSC-10M	13S00292	224
VG-628-35-12-38	14S00062	263	VG-JEL-078-125-6M	19S00014-6M	13	VG-P38BC-75M	19S00068-75M	34	VG-QSC-12M	13S00293	224
VG-628-35-12-58	14S00063	263	VG-JS100-125-30M	19S00015-30M	10	VG-P38BC-NS-75M	19S00068NS-75M	34	VG-QSC-16M	13S00294	224
VG-628-50-12-12	14S00064	263	VG-JS100-125-3M	19S00015-3M	10	VG-P38HD-3M	19S00069-3M	34	VG-QSC-20M	13S00295	224
VG-628-50-12-14	14S00065	263	VG-JS100-125-6M	19S00015-6M	10	VG-P38HD-6M	19S00069-6M	34	VG-QSC-25M	13S00296	224
VG-628-50-12-34	14S00066	263	VG-JS100-188-30M	19S00018-30M	11	VG-P516BC-30M	19S00071-30M	34	VG-QSC-30M	13S00297	224
VG-628-50-12-38	14S00067	263	VG-JS100-188-3M	19S00018-3M	11	VG-P516BC-6M	19S00071-6M	34	VG-QSC-40M	13S00298	224
VG-628-50-12-58	14S00068	263	VG-JS100-188-6M	19S00018-6M	11	VG-P516BC-NS-30M	19S00071-NS-30M	34	VG-QT-01	13S00299	224
VG-629-12-12	14S00069	264	VG-JS150-125-30M	19S00020-30M	11	VG-P611-3M	19S00033-3M	94	VG-R3U-185-50-G	12S00001	52
VG-629R-12-12	14S00070	264	VG-JS150-125-3M	19S00020-3M	11	VG-P7GABC-30M	19S00073-30M	32	VG-R3U-185-60-G	12S00002	52
VG-686A-30-2M	16S00001	160	VG-JS150-125-6M	19S00020-6M	11	VG-P7GABC-3M	19S00073-3M	32	VG-R3U-205-50-G	12S00003	52
VG-686A-30-3M	16S00002	160	VG-JS150-188-3M	19S00021-3M	12	VG-P7GABC-6M	19S00073-6M	32	VG-R3U-205-60-G	12S00004	52
VG-686A-76-2M	16S00004	160	VG-JS150-188-6M	19S00021-6M	12	VG-P7GABC-NS-3M	19S00073NS-3M	32	VG-RF3U-185-50-G	12S00005	52
VG-686A-76-3M	16S00005	160	VG-JS200-125-3M	19S00023-3M	12	VG-P7GABC-NS-6M	19S00073NS-6M	32	VG-RF3U-185-60-G	12S00006	52
VG-686MSP-30	16S00006	160	VG-JS200-125-6M	19S00023-6M	12	VG-P7GAHD-3M	19S00076-3M	33	VG-RF3U-205-50-G	12S00007	52
VG-686MSP-76	16S00007	160	VG-JS200-188-3M	19S00024-3M	12	VG-P7GAHD-6M	19S00076-6M	33	VG-RF3U-205-60-G	12S00008	52
VG-687-37-2M	16S00050	161	VG-JS200-188-6M	19S00024-6M	12	VG-P7GAHD-NS-6M	19S00076NS-6M	33	VG-SBG-50-3M	19S00087-3M	35
VG-687-37-3M	16S00051	161	VG-JS3-075-125-30M	19S00029-30M	10	VG-P813-30M	19S00025-30M	94	VG-SPM-3M	19S00008-3M	84
VG-687-83-2M	16S00052	161	VG-JSL075-125-30M	19S00016-30M	12	VG-P813-3M	19S00025-3M	94	VG-SPM-6M	19S00008-6M	84
VG-687-83-3M	16S00053	161	VG-JSL075-125-3M	19S00016-3M	12	VG-P813-6M	19S00025-6M	94	VG-SSF-HT-3M	19S00115HT-3M	77
VG-687BSC-15	16S00302-15	156	VG-JSL075-125-6M	19S00016-6M	12	VG-P813F-30M	19S00026-30M	94	VG-SSF-NS-3M	19S00115NS-3M	77
VG-687BSC-25	16S00302-25	156	VG-JSL075-125-NS-30M	19S00016NS-30M	12	VG-P813F-3M	19S00026-3M	94	VG-SSF-NS-6M	19S00115NS-6M	77
VG-687BSC-50	16S00302-50	156	VG-JSL075-188-30M	19S00017-30M	13	VG-P813F-6M	19S00026-6M	94	VG-SSF5-3M	19S00116-3M	77
VG-687FLEX-37-3M	16S00300	155	VG-MBG-50-NS-3M	19S00035-3M	35	VG-P816F-3M	19S00034-3M	95	VG-SSF5-6M	19S00116-6M	77
VG-687H-37-2M	16S00100	158	VG-NG110-SR-30M	19S00039NSR-30M	89	VG-P816F-6M	19S00034-6M	95	VG-SSF-SD-3M	19028AS	77
VG-687H-37-3M	16S00101	158	VG-NG125-SR-1M28	19S00044NSR	89	VG-P820F-3M	19S00031-3M	95	VG-SSF-SD-6M	19028ASL	77
VG-687H-83-M2	16S00102	158	VG-NG125-SR-30M	19S00037NSR-30M	89	VG-P820F-6M	19S00031-6M	95	VG-SSLT-1.0X38-NS-3M	19S00123NS-3M	82
VG-687H-83-M3	16S00103	158	VG-NG47-SR-30M	19S00040NRS-30M	88	VG-P822F-3M	19S00027-3M	95	VG-SSLT-1.0X38-NS-6M	19S00123NS-6M	82
VG-687LDB-M8	16S00150	156	VG-NG47-SR-75M	19S00040NRS-75M	88	VG-P822F-6M	19S00027-6M	95	VG-SSM-NS-3M	19S00129NS-3M	76
VG-687MNP-37	16S00151	161-162	VG-NG49-SR-30M	19S00041NRS-30M	88	VG-P824F-3M	19S00022-3M	95	VG-SSM-NS-6M	19S00129NS-6M	76
VG-687MNP-83	16S00152	161-162	VG-NG49-SR-75M	19S00041NRS-75M	88	VG-P824F-6M	19S00022-6M	95	VG-SSMS-3M	19S00130-3M	76
VG-687MSP-37	16S00153	157	VG-NG50-SR-30M	19S00042NRS-30M	88	VG-P834F-3M	19S00028-3M	95	VG-SSMS-6M	19S00130-6M	76
VG-687MSP-83	16S00154	157	VG-NG50-SR-75M	19S00042NRS-75M	88	VG-P834F-6M	19S00028-6M	95	VG-SSM-SD-3M	19024AS	76
VG-687SP	16S00155	156	VG-NG81-SR-75M	19S00043NRS-75M	89	VG-PBG5-NS-30M	19S00078NS-30M	91	VG-SSM-SD-6M	19024ASL	76
VG-688-37-2M	16S00200	162	VG-NG91-SR-30M	19S00038NSR-30M	89	VG-PBG5-NSD-30M	19S00078NSD-30M	91	VG-SSMT-3M	19S00138-3M	78
VG-688-37-3M	16S00201	162	VG-P0808-3M	19S00032-3M	94	VG-PBG7-NS-30M	19S00079NS-30M	90	VG-SSMT-6M	19S00138-6M	78
VG-688-83-2M	16S00202	162	VG-P105R-30M	19S00036NS-30M	31-88	VG-PBG7-NSD-30M	19S00079NSD-30M	90	VG-SSMT-SD-3M	19S00138-SD-3M	78
VG-688-83-3M	16S00203	162	VG-P105R-75M	19S00036NS-75M	31-88	VG-PBW5-125-3M	19S00083-3M	35	VG-SSMT-SD-6M	19S00138-SD-6M	78
VG-688FLEX-37-3M	16S00301	155	VG-P105RCL-30M	19S00036NSR-30M	31-88	VG-PM10BC-75M	19S00081-75M	34	VG-SSR-NS-3M	19S00145NS-3M	76
VG-688H-37-2M	16S00250	159	VG-P105RCL-75M	19S00036NSR-75M	31-88	VG-PM4BC-30M	19S00082-30M	32	VG-SSR-NS-6M	19S00145NS-6M	76
VG-688H-37-3M	16S00251	159	VG-P116HD-3M	19S00050-3M	31	VG-PM4BC-75M	19S00082-75M	32	VG-SSRS-3M	19S000146-3M	76
VG-688H-83-2M	16S00252	159	VG-P116HD-6M	19S00050-6M	31	VG-PMBG-50-NS-3M	19S00077-3M	35	VG-SSRS-6M	19S000146-6M	76
VG-688H-83-3M	16S00253	159	VG-P14BC-150M	19S00052-150M	33	VG-PMI-25	19S00092	85	VG-SSR-SD-3M	19020AS	76
VG-750-10	14S00086	13	VG-P14BC-30M	19S00052-30M	33	VG-PMI-30	19S00093	85	VG-SSR-SD-6M	19020ASL	76
VG-750-20	14S00087	13	VG-P14HD-3M	19S00054-3M	33	VG-PSBG-50-3M	19S00080-3M	35	VG-SST-.75-SD-3M	19058AS	79
VG-750-30	14S00088	13	VG-P14HD-6M	19S00054-6M	34	VG-Q-03-10-M10	13S00274	225	VG-SST-.75-SD-6M	19058ASL	79
VG-350-3M	19S00209-3M	96	VG-P145BC-30M	19S00055-30M	34	VG-Q-03-10-M8	13S00275	225	VG-SST-1.00-SD-3M	19032AS	80
VG-350-6M	19S00209-6M	96	VG-P18BC-30M	19S00056-30M	33	VG-Q-03-15-M10	13S00276	225	VG-SST-1.00-SD-6M	19032ASL	80
VG-219-3M	19S00210-3M	94	VG-P18BC-NS-30M	19S00056NS-30M	31	VG-Q-03-15-M8	13S00277	225	VG-SST-1.25-NS-3M	19S00164NS-3M	80
VG-219-6M	19S00210-6M	94	VG-P-18CC-30M	19S00058-30M	10	VG-Q-05-10-M10	13S00278	225	VG-SST-1.25-NS-6M	19S00164NS-6M	80
VG-A2520-3M	19S00211-3M	96	VG-P-18CC-3M	19S00058-3M	10	VG-Q-05-10-M8	13S00279	225	VG-SST-1.25-SD-3M	19034AS	80
VG-A2520-6M	19S00211-6M	96	VG-P-18CC-6M	19S00058-6M	10	VG-Q-05-15-M10	13S00280	225	VG-SST-1.25-SD-6M	19034ASL	80
VG-344-3M	19S00224-3M	96	VG-P18HD-3M	19S00062-3M	32	VG-Q-05-15-M8	13S00281	225	VG-SST-1.60-NS-3M	19S00166NS-3M	81
VG-344-6M	19S00224-6M	96	VG-P18HD-6M	19S00062-6M	32	VG-Q-05-25-M10	13S00282	225	VG-SST-1.60-NS-6M	19S00166NS-6M	81
VG-A600-3M	19S00216-3M	94	VG-P2520BC-3M	19S00226-3M	96	VG-Q-05-25-M8	13S00283	225	VG-SST-1.60-SD-3M	19060AS	81
VG-A600-6M	19S00216-6M	94	VG-P2520BC-6M	19S00226-6M	96	VG-QPC-25M	13S00284	224	VG-SST-1.60-SD-6M	19060ASL	81
VG-A600A-3M	19S00212-3M	94	VG-P316BC-30M	19S00066-30M	32	VG-QPC-40M	13S00285	224	VG-SST-1.70-SD-3M	19039AS	81
VG-A600A-6M	19S00212-6M	94	VG-P316BC-3M	19S00066-3M	32	VG-QPC-450M	13S00286	224	VG-SST-1.70-SD-6M	19039ASL	81
VG-ABG-3M	19S00009-3M	90	VG-P316BC-6M	19S00066-6M	32	VG-QPC-65M	13S00287	224	VG-SST-2.25-NS-3M	19S00167NS-3M	82
VG-ABG-6M	19S00009-6M	90	VG-P316HD-3M	19S00067-3M	32	VG-QSB-25M	13S00288	224	VG-SST-2.25-NS-6M	19S00167NS-6M	82
VG-BWS-125-3M	19S00108-3M	35	VG-P316HD-6M	19S00067-6M	32	VG-QSB-40M	13S00289	224	VG-SST-2.25-SD-3M	190221AS	82
VG-J100-125T-30M	19S00011-30M	11	VG-P350-3M	19S00224-3M	96	VG-QSB-450M	13S00290	224	VG-SST-2.25-SD-6M	190221ASL	82
VG-J100-188-30M	19S00012-30M	11	VG-P350-6M	19S00224-6M	96	VG-QSB-65M	13S00291	224	VG-SSTG-02-3M	19S00181-3M	83

Code	Page	Code	Page	Code	Page	Code	Page
VG-SSTG-02-6M	19S00181-6M		83				
VG-SSTG-02-B-3M	19S00181-B-3M		83				
VG-SSTG-02-B-6M	19S00181-B-6M		83				
VG-SST-HT-1.25-3M	19S00164HT-3M		80				
VG-SST-N-75-3M	19S00153N-3M		79				
VG-SST-N-1.00-3M	19S00154N-3M		80				
VG-SST-N-1.25-3M	19S00164N-3M		80				
VG-SST-N-1.60-3M	19S00166N-3M		81				
VG-SSTS-1.25-3M	19S00165-3M		80				
VG-SSTS-1.25-6M	19S00165-6M		80				
VG-SSUT-1.00-S-3M	19S00182NS-3M		83				
VG-SSUT-1.30-S-3M	19S00183NS-3M		83				
VG-SSWF-NS-3M	19S00187NS-3M		79				
VG-SSWF-NS-6M	19S00187NS-6M		79				
VG-SSWFS-1.25-3M	19S00175-3M		80				
VG-SSWFS-1.25-6M	19S00175-6M		80				
VG-SSWFS-3M	19S00174-3M		79				
VG-SSWFS-6M	19S00174-6M		79				
VG-SSWF-SD-3M	190213AS		79				
VG-SSWF-SD-6M	190213ASL		79				

NOTE

A series of horizontal dotted lines for writing notes.



A series of horizontal dotted lines, evenly spaced, spanning the width of the page, serving as a guide for handwriting or text input.

NOTE

A series of horizontal dotted lines for writing notes.

Catalogues available on request

System Plast

Our complete range of components will cover
all your productive needs

Conveyor
Chains / Belts



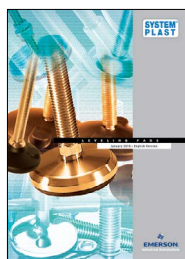
Conveyor
Components



Bearing
Supports



Leveling
Pads



Engineering
Manual



Interactive
CD ROM



System Plast worldwide!

Local Commitment, Global Presence

System Plast can reach you everywhere with fast shipments of
standard or customized products.
Find our agent or representative closest to you.



Emerson Industrial Automation System Plast S.r.l.



Via Guareschi, 2
24060 Telgate (Bergamo) - ITALY

Customer Service +39 035 83 51 301
Fax +39 035 83 51 406
E-mail info@systemplast.com

Full details regarding your nearest Sales contact and all information about other
high quality System Plast products is available at www.systemplast.com



System Plast - USA

Tel. 866 765 8744 - Fax 866 447 6587
CustomerService.PTSolutions@Emerson.com



System Plast - GERMANY

Tel. (03529) 56 15 0 - Fax (03529) 51 13 67
info@fspchains.com



System Plast - GERMANY

Sales Office - Tel. (06204) 9673 0 - Fax (06204) 9673 29
info-de@systemplast.com



System Plast - FRANCE

Tel. (01) 64 66 05 48 - Fax (01) 64 66 05 82
info-fr@systemplast.com



System Plast International - THE NETHERLANDS

Tel. (0186) 63 61 21 - Fax (0186) 63 61 25
info-nl@systemplast.com



System Plast - UK

Tel. (01926) 614 314 - Fax (01926) 614 914
info-uk@systemplast.com



System Plast - MEXICO

Tel. (033) 3284 5629
servicioclientes@emerson.com



System Plast - BRAZIL

Tel. (011) 3618 6699 - Fax (011) 3618 6633
info-br@systemplast.com



System Plast - SINGAPORE

Tel. (65) 6891 7600 - Fax (65) 6873 7882
systemplast.sg@emerson.com



System Plast - CHINA

Tel. (86) 596 2109921 - Fax (86) 596 2136004
sales.zz@emerson.com

MCC11014E • Form 22001E

APPLICATION CONSIDERATIONS

The proper selection and application of power transmission products and components, including the related area of product safety, is the responsibility of the customer. Operating and performance requirements and potential associated issues will vary appreciably depending upon the use and application of such products and components. The scope of the technical and application information included in this publication is necessarily limited. Unusual operating environments and conditions, lubrication requirements, loading supports, and other factors can materially affect the application and operating results of the products and components and the customer should carefully review its requirements. Any technical advice or review furnished by Emerson Power Transmission Corporation and its divisions with respect to the use of products and components is given in good faith and without charge, and Emerson assumes no obligation or liability for the advice given, or results obtained, all such advice and review being given and accepted at customer's risk.

For a copy of our Standard Terms and Conditions of Sale, Disclaimers of Warranty, Limitation of Liability and Remedy, please contact Emerson Power Transmission Customer Service at 1-800-626-2120. These terms and conditions of sale, disclaimers and limitations of liability apply to any person who may buy, acquire or use an Emerson Power Transmission Corporation product referred to herein, including any person who buys from a licensed distributor of these branded products.

Emerson Power Transmission does not warrant the accuracy of the information contained in this document. All interchanges should be compared with actual current specifications and/or manufacturing drawings. For a copy of our standard terms and conditions, contact Emerson Power Transmission at 1-800-626-2120.

Emerson, Emerson, Consider It Solved., Emerson Industrial Automation and System Plast are trademarks of Emerson Electric Co. or one of its affiliated companies.
© 2011, 2012 Emerson Power Transmission Corp., All Rights Reserved.
MCC11014E • Form 22001E • Printed in Italy



EMERSON
Industrial Automation